



US00D786757S

(12) **United States Design Patent**  
**Chen**

(10) **Patent No.:** **US D786,757 S**

(45) **Date of Patent:** **\*\* May 16, 2017**

- (54) **VEHICLE SIDE VIEW MIRROR**
- (71) Applicant: **Cheng-Chung Chen**, Tainan (TW)
- (72) Inventor: **Cheng-Chung Chen**, Tainan (TW)
- (\*\*) Term: **15 Years**
- (21) Appl. No.: **29/564,478**
- (22) Filed: **May 13, 2016**
- (51) **LOC (10) Cl.** ..... **12-16**
- (52) **U.S. Cl.**  
USPC ..... **D12/187**
- (58) **Field of Classification Search**  
USPC ..... D12/187, 188-189; D6/300, 309  
CPC ..... B60R 1/076; G02B 7/182; G02B 5/08;  
G02B 7/18  
See application file for complete search history.

- D727,229 S \* 4/2015 Varga ..... D12/187
- D730,254 S \* 5/2015 Glover ..... D12/187
- D744,918 S \* 12/2015 Di Buduo ..... D12/187
- D746,197 S \* 12/2015 Nissl ..... D12/187
- D761,172 S \* 7/2016 Kim ..... D12/187
- D776,588 S \* 1/2017 Chen ..... D12/187

\* cited by examiner

*Primary Examiner* — Katrina A Betton

(74) *Attorney, Agent, or Firm* — Rosenberg, Klein & Lee

(57) **CLAIM**

The ornamental design for a vehicle side view mirror, as shown and described.

**DESCRIPTION**

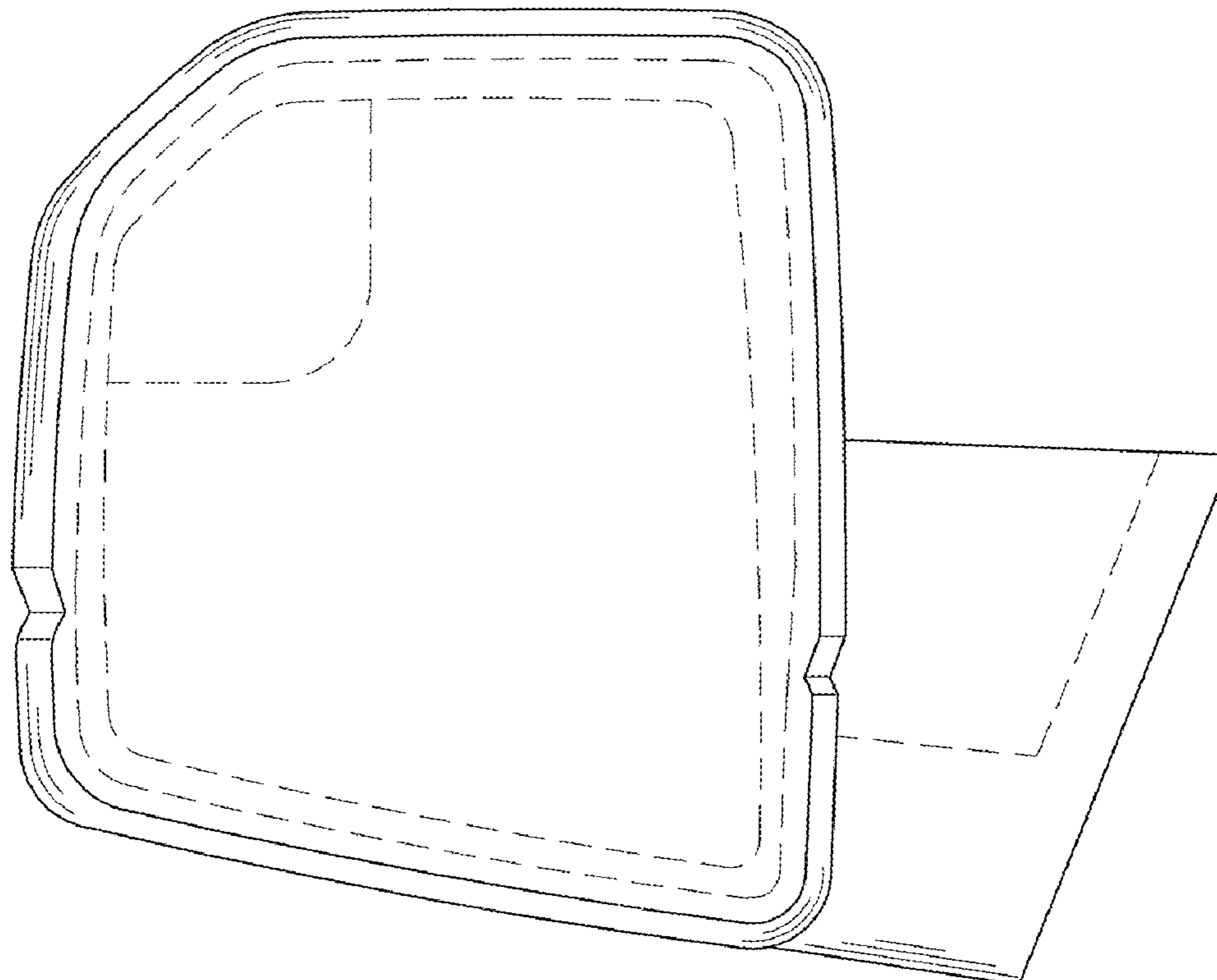
FIG. 1 is a perspective view of a vehicle side view mirror showing my new design;  
 FIG. 2 is a front elevational view thereof;  
 FIG. 3 is a rear elevational view thereof;  
 FIG. 4 is a left side elevational view thereof;  
 FIG. 5 is a right side elevational view thereof;  
 FIG. 6 is a top plan view thereof; and,  
 FIG. 7 is a bottom plan view thereof.  
 The broken lines are shown for illustrative purposes only and form no part of the claimed design.

**1 Claim, 7 Drawing Sheets**

(56) **References Cited**

**U.S. PATENT DOCUMENTS**

- D489,658 S \* 5/2004 Metros ..... D12/187
- D496,311 S \* 9/2004 Simmons ..... D12/187
- D508,447 S \* 8/2005 Morrow ..... D12/187
- D717,705 S \* 11/2014 Petroff ..... D12/187



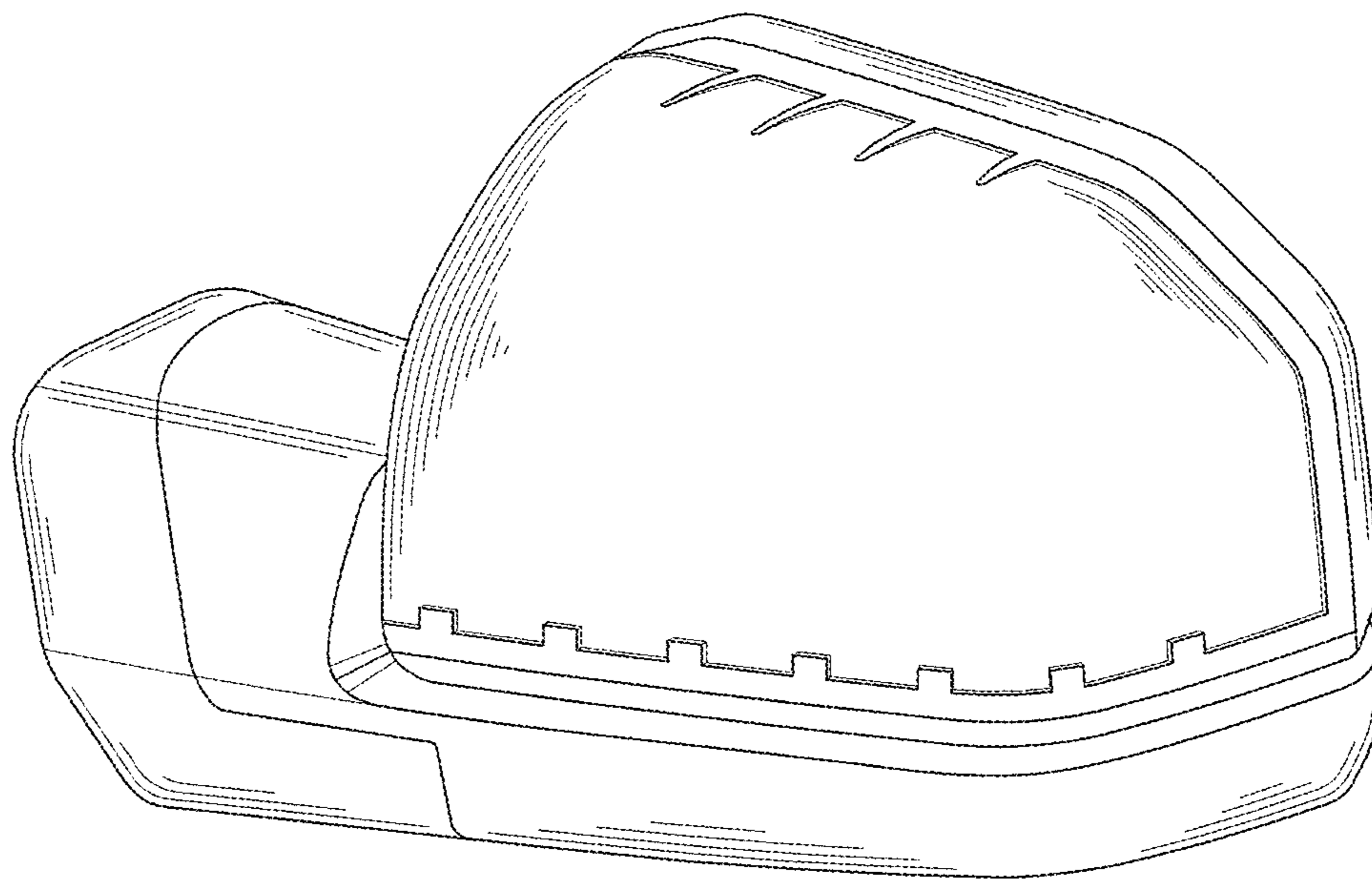


FIG. 1

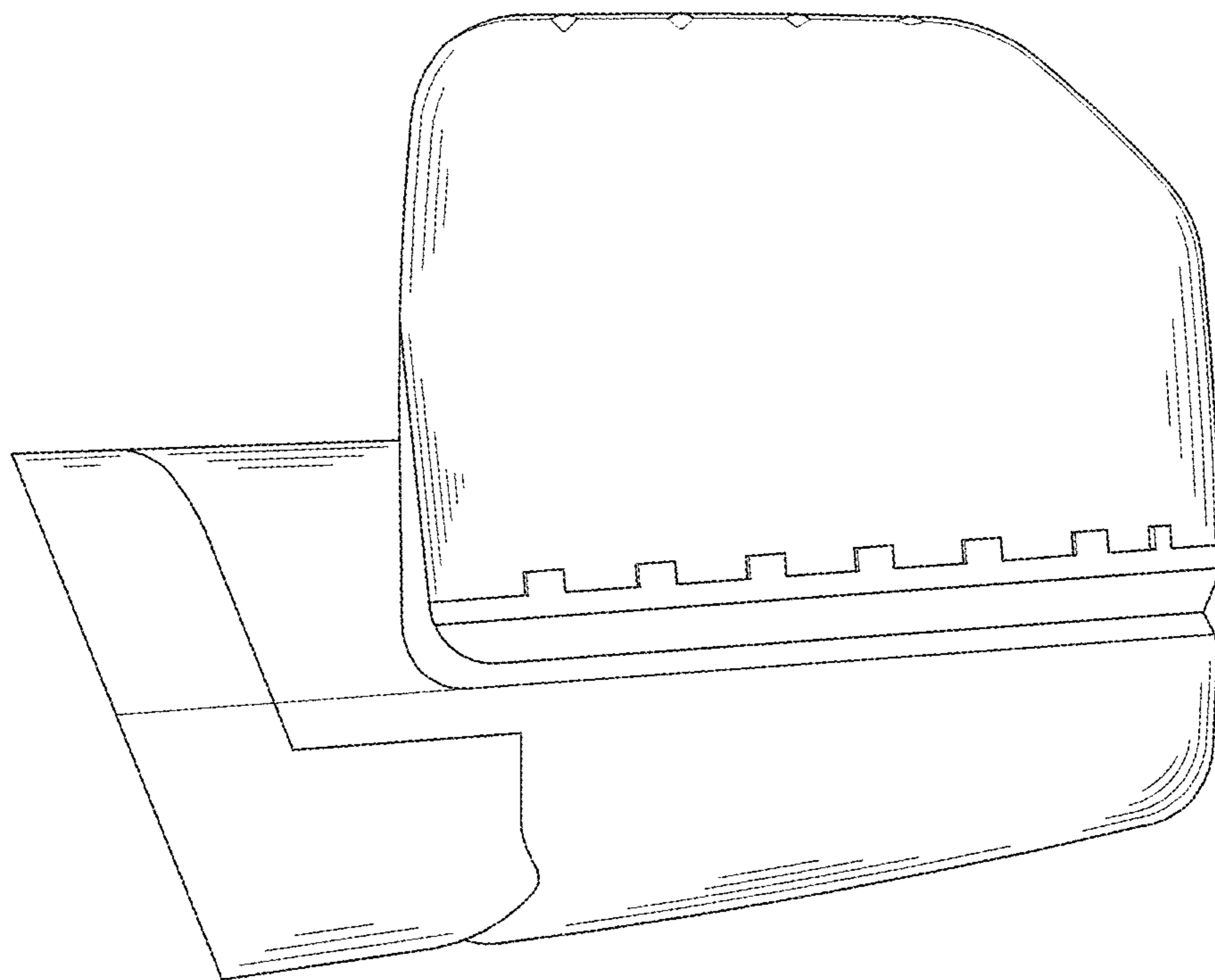


FIG. 2

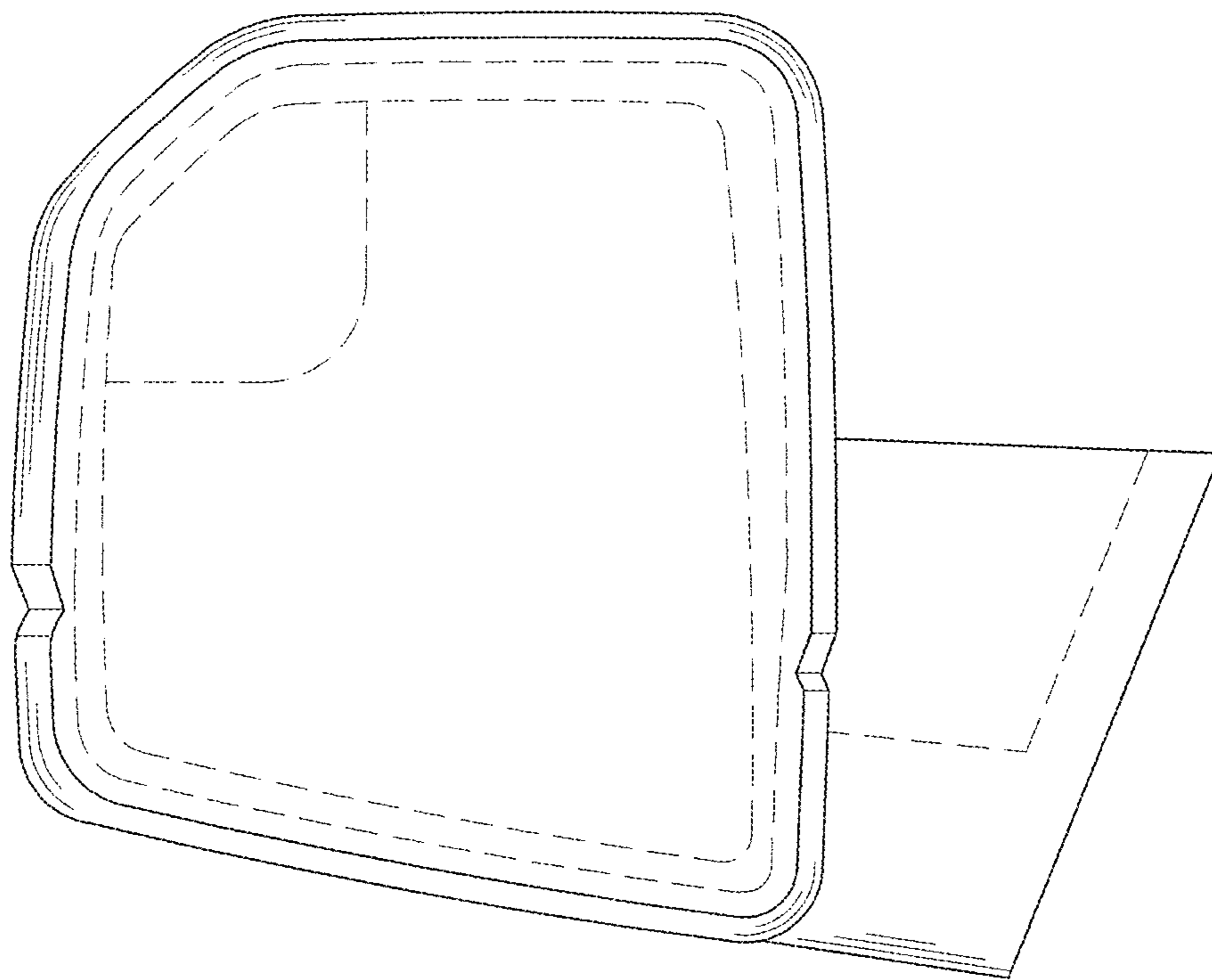


FIG. 3

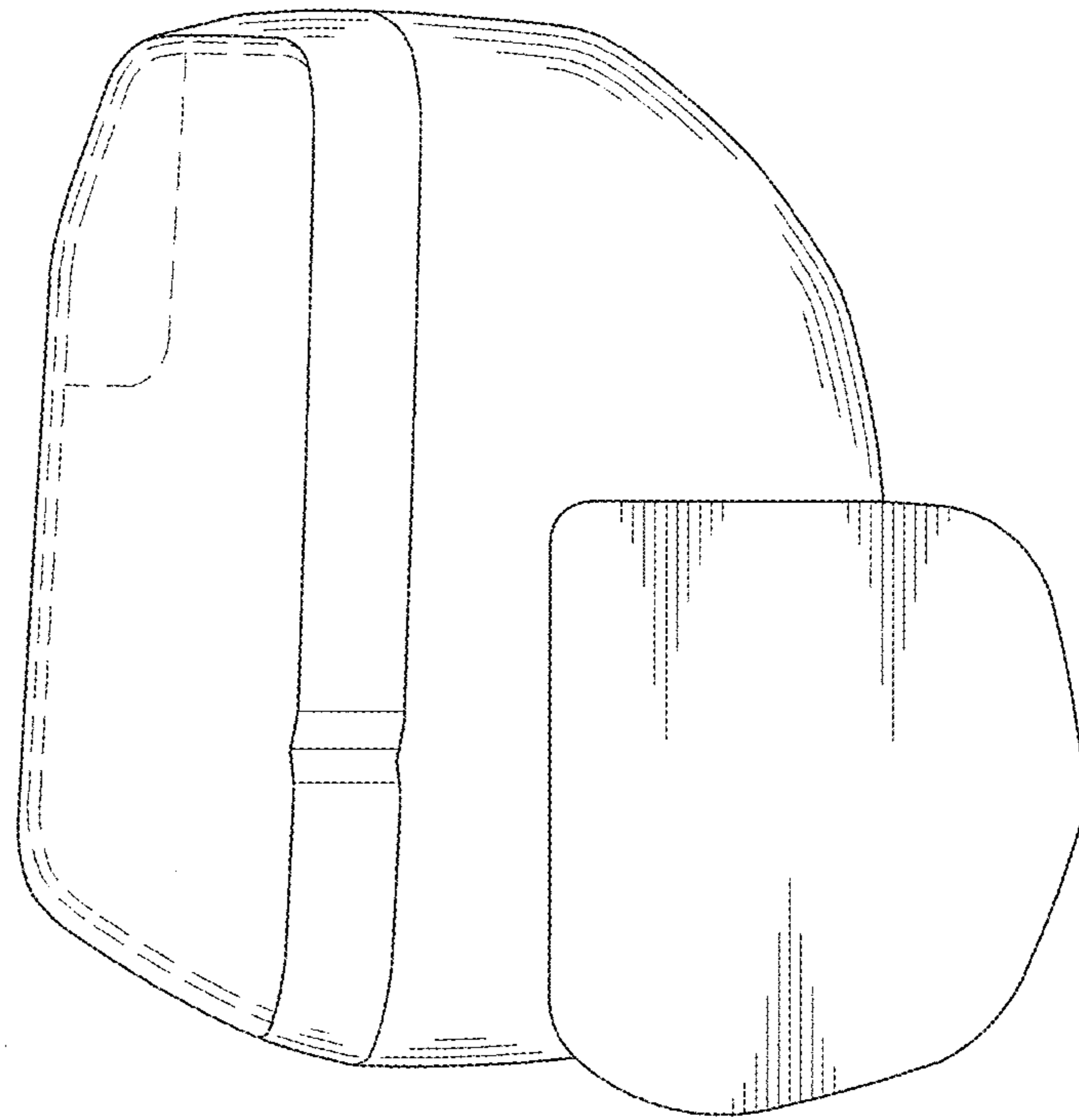


FIG. 4

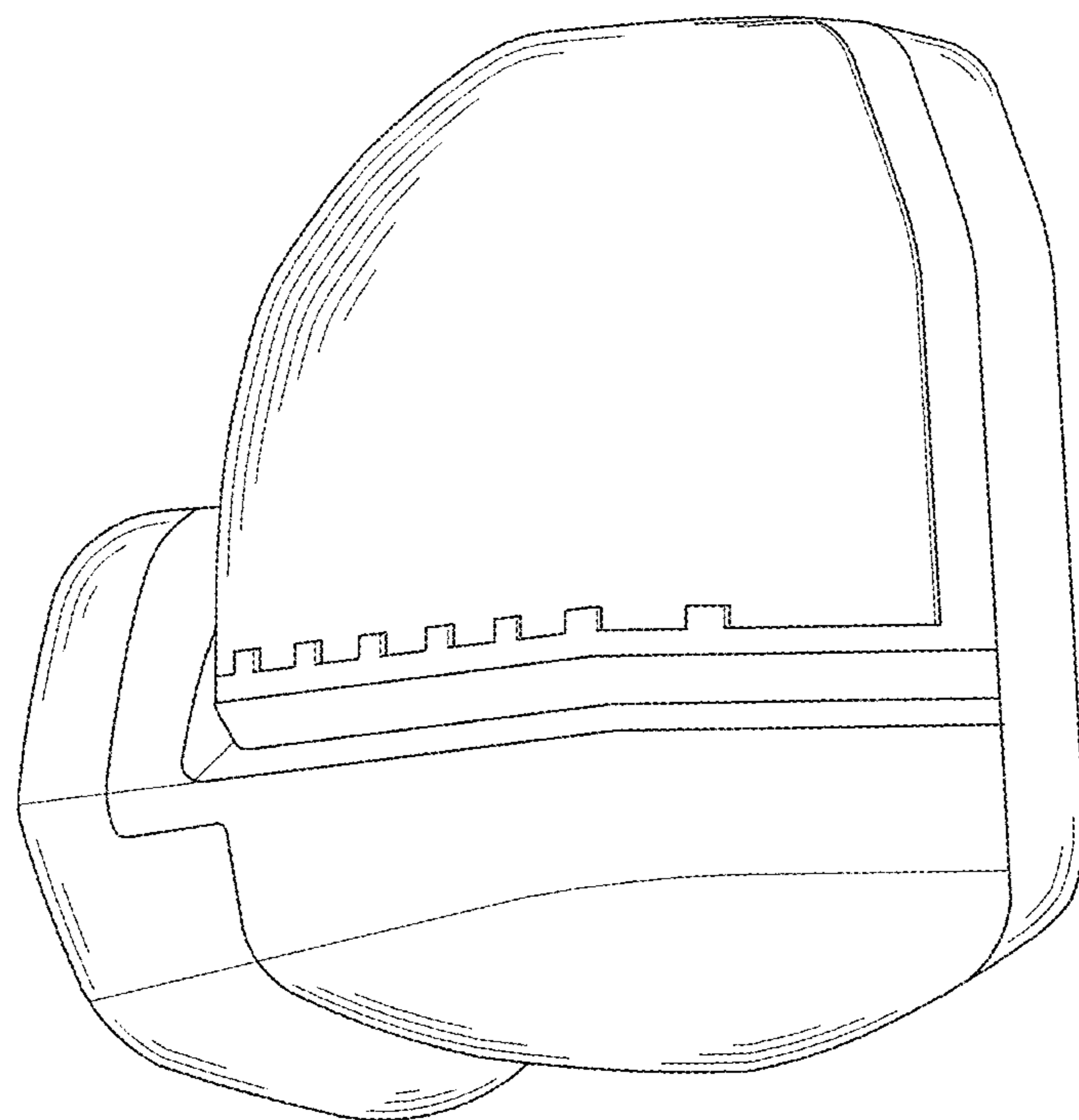


FIG. 5

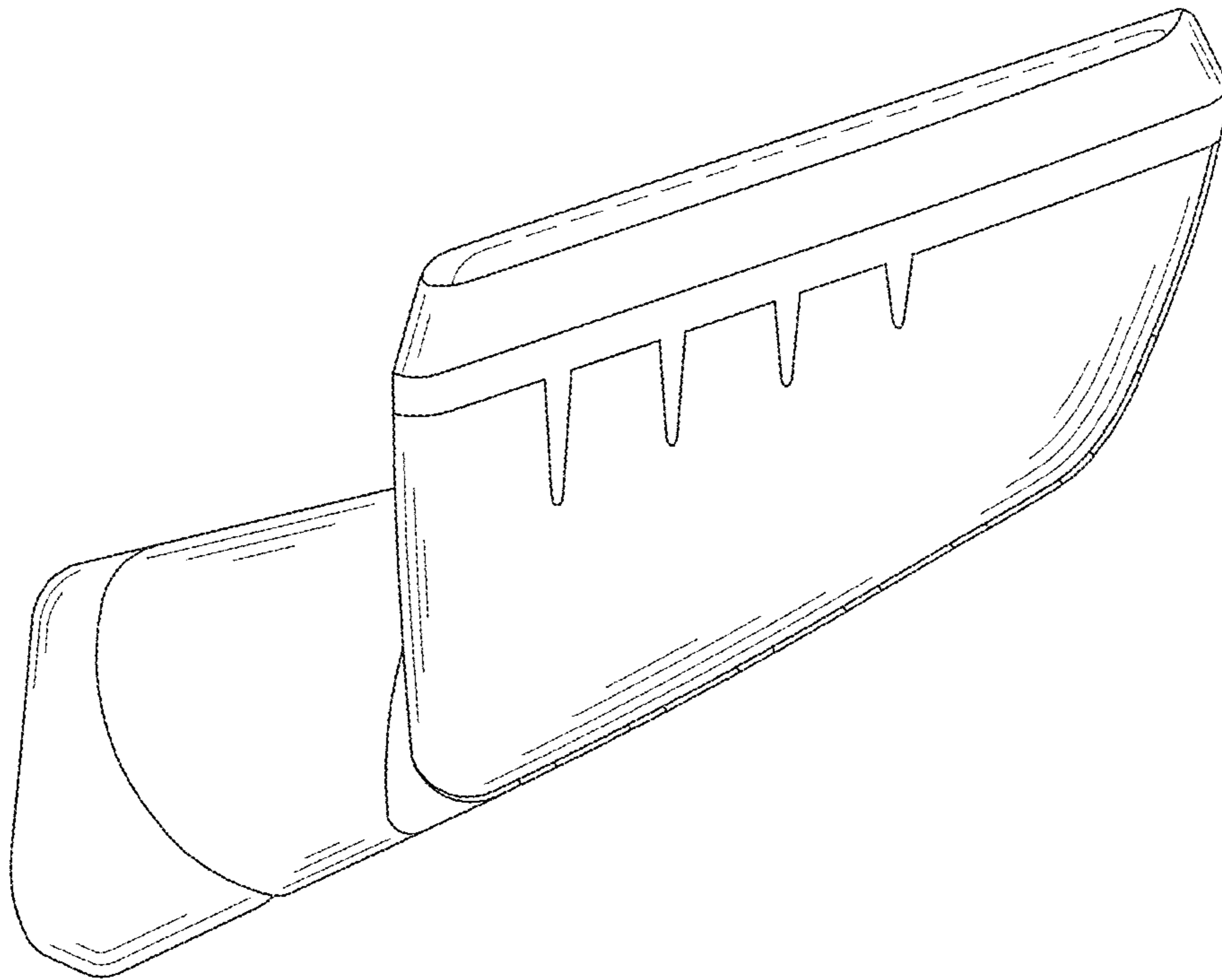


FIG. 6

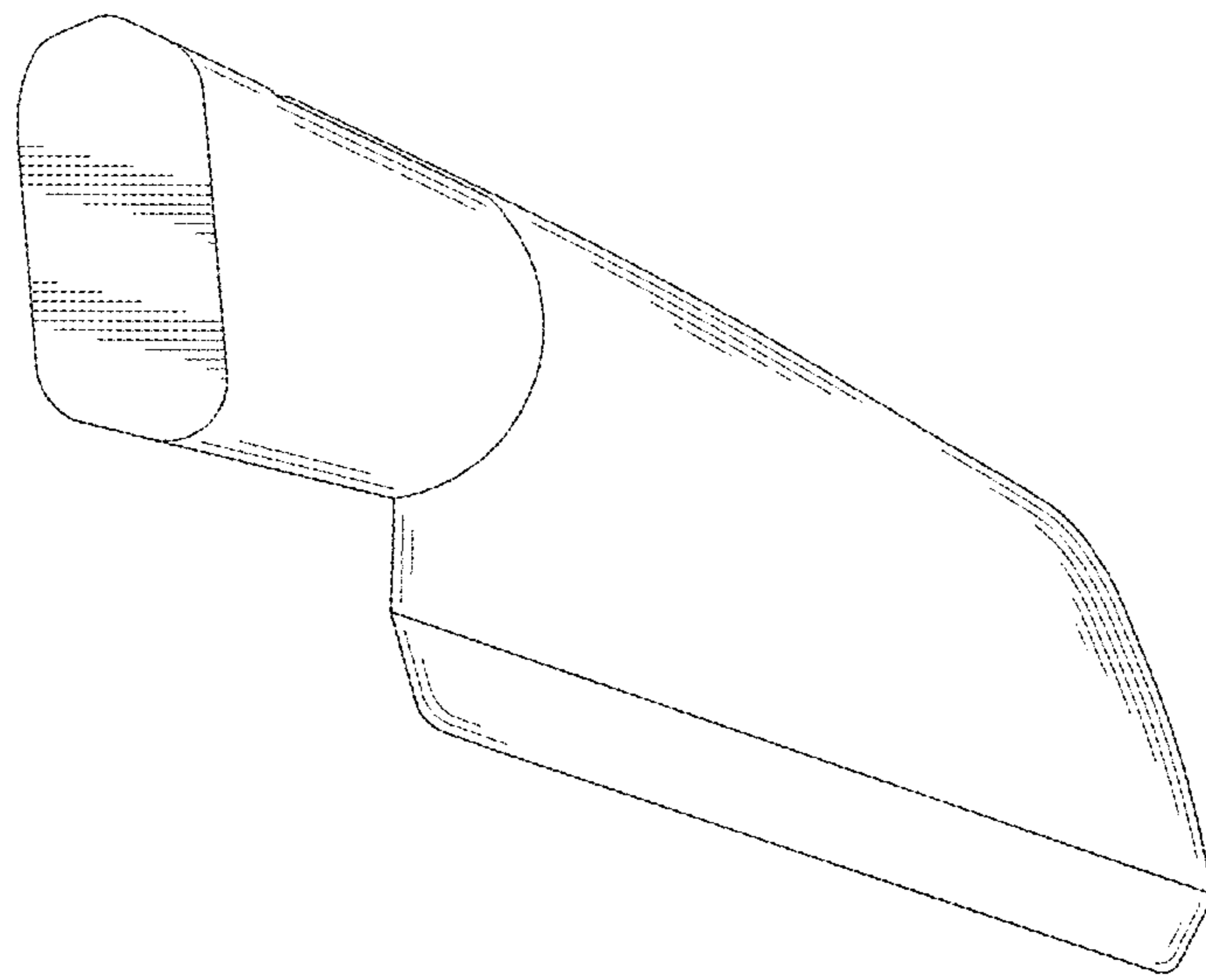


FIG. 7