



US00D786756S

(12) **United States Design Patent**
Chen

(10) **Patent No.:** **US D786,756 S**

(45) **Date of Patent:** **** May 16, 2017**

(54) **LAMP OF VEHICLE SIDE VIEW MIRROR**

(71) Applicant: **Cheng-Chung Chen**, Tainan (TW)

(72) Inventor: **Cheng-Chung Chen**, Tainan (TW)

(**) Term: **15 Years**

(21) Appl. No.: **29/537,709**

(22) Filed: **Aug. 28, 2015**

(51) **LOC (10) Cl.** **12-16**

(52) **U.S. Cl.**
USPC **D12/187**

(58) **Field of Classification Search**
USPC D12/187, 188, 189; D26/139, 28
CPC B60R 1/074; B60R 1/076; B60R 1/078;
B60R 1/08; B60R 1/081; B60R 1/082;
F21S 48/00; F21S 48/115; F21S 48/2237;
F21S 28/2243; F21S 48/20
See application file for complete search history.

(56) **References Cited**

U.S. PATENT DOCUMENTS

D500,274 S * 12/2004 Pfeiffer D12/187
D545,739 S * 7/2007 Sasaki D12/187
D549,625 S * 8/2007 Pfeiffer D12/187

D551,606 S * 9/2007 Pfeiffer D12/187
D577,639 S * 9/2008 Choi D12/187
D606,470 S * 12/2009 Mattin D12/187
D631,804 S * 2/2011 Chen D12/187
D631,805 S * 2/2011 Chen D12/187
D691,077 S * 10/2013 Davis D12/187
D691,531 S * 10/2013 Rugar D12/187
D709,414 S * 7/2014 Platto D12/187
D725,014 S * 3/2015 Duff D12/187
D725,015 S * 3/2015 Kovach D12/187
D730,254 S * 5/2015 Glover D12/187

* cited by examiner

Primary Examiner — Phillip S Hyder

(74) *Attorney, Agent, or Firm* — Rosenberg, Klein & Lee

(57) **CLAIM**

The ornamental design for a lamp of vehicle side view mirror, as shown and described.

DESCRIPTION

FIG. 1 is a perspective view of a lamp of vehicle side view mirror showing my new design;
FIG. 2 is a front elevational view thereof;
FIG. 3 is a rear elevational view thereof;
FIG. 4 is a left side elevational view thereof;
FIG. 5 is a right side elevational view thereof;
FIG. 6 is a top plan view thereof; and,
FIG. 7 is a bottom plan view thereof.

1 Claim, 7 Drawing Sheets



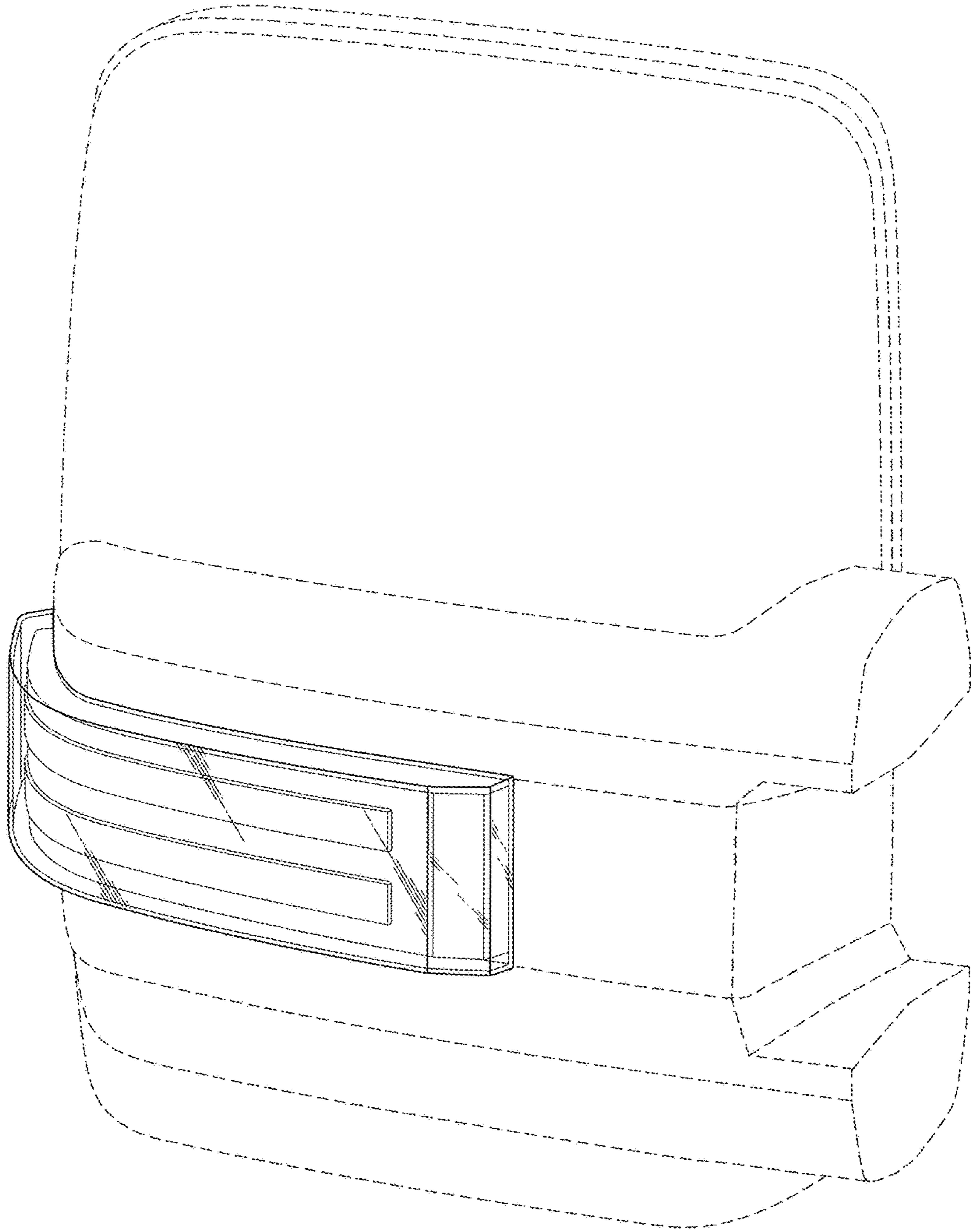


FIG. 1

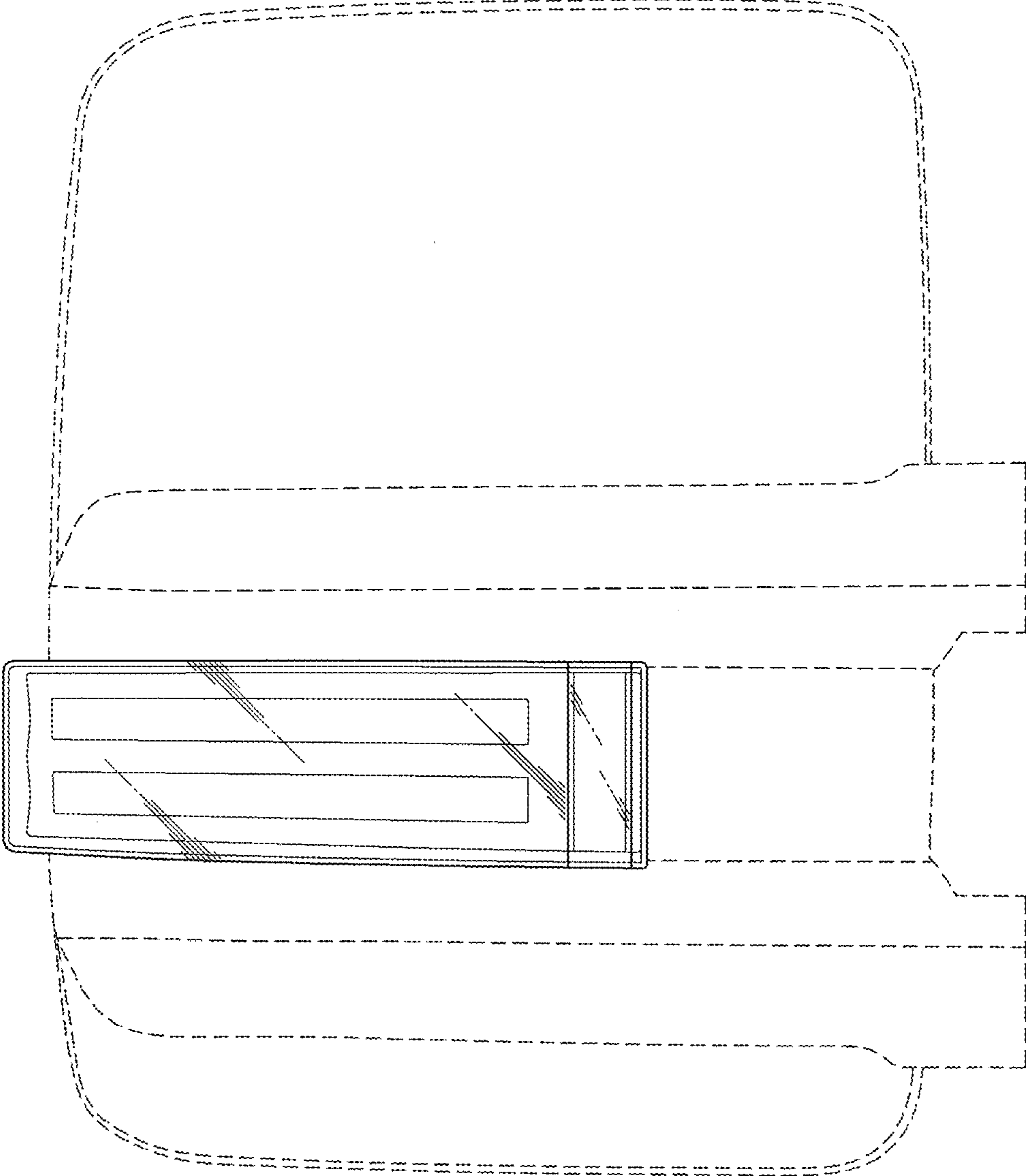


FIG. 2

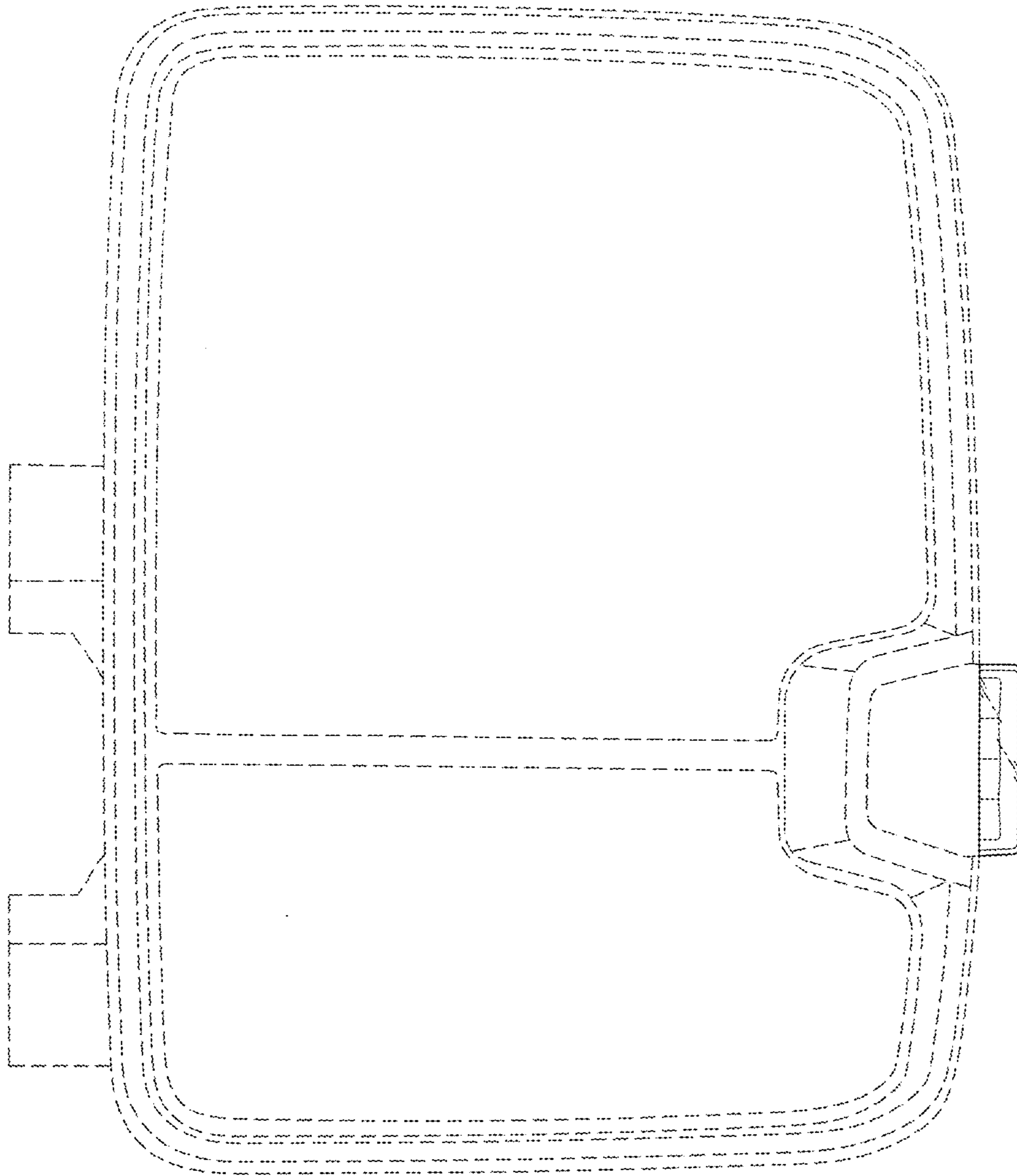


FIG. 3

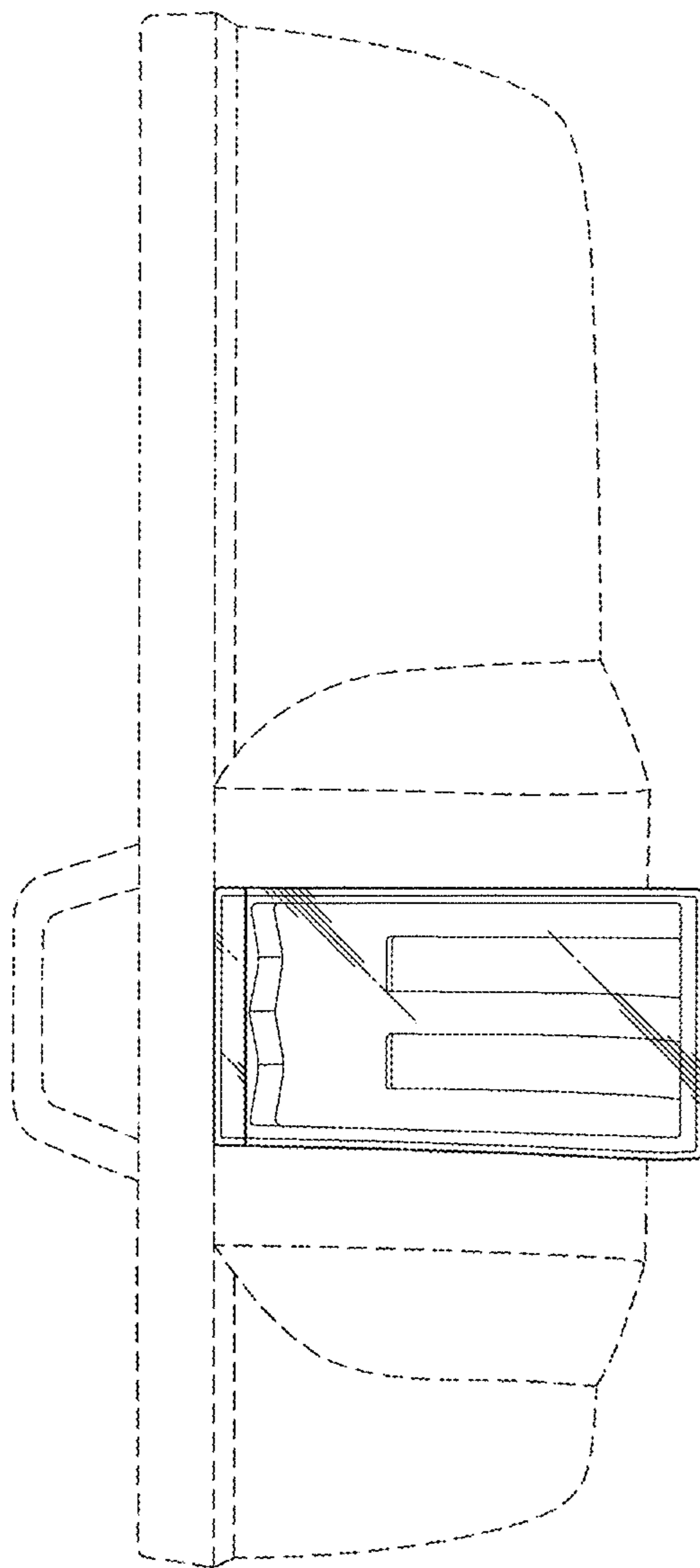


FIG. 4

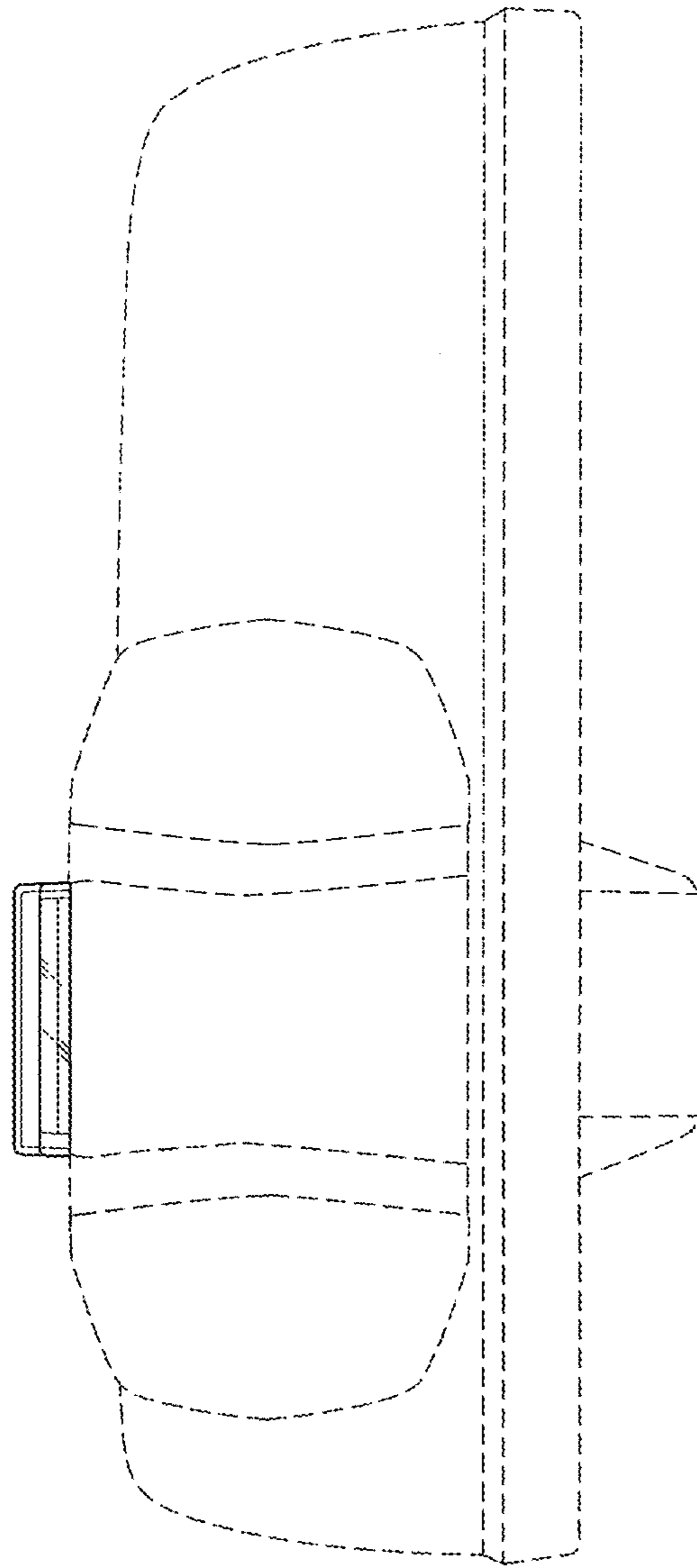


FIG. 5

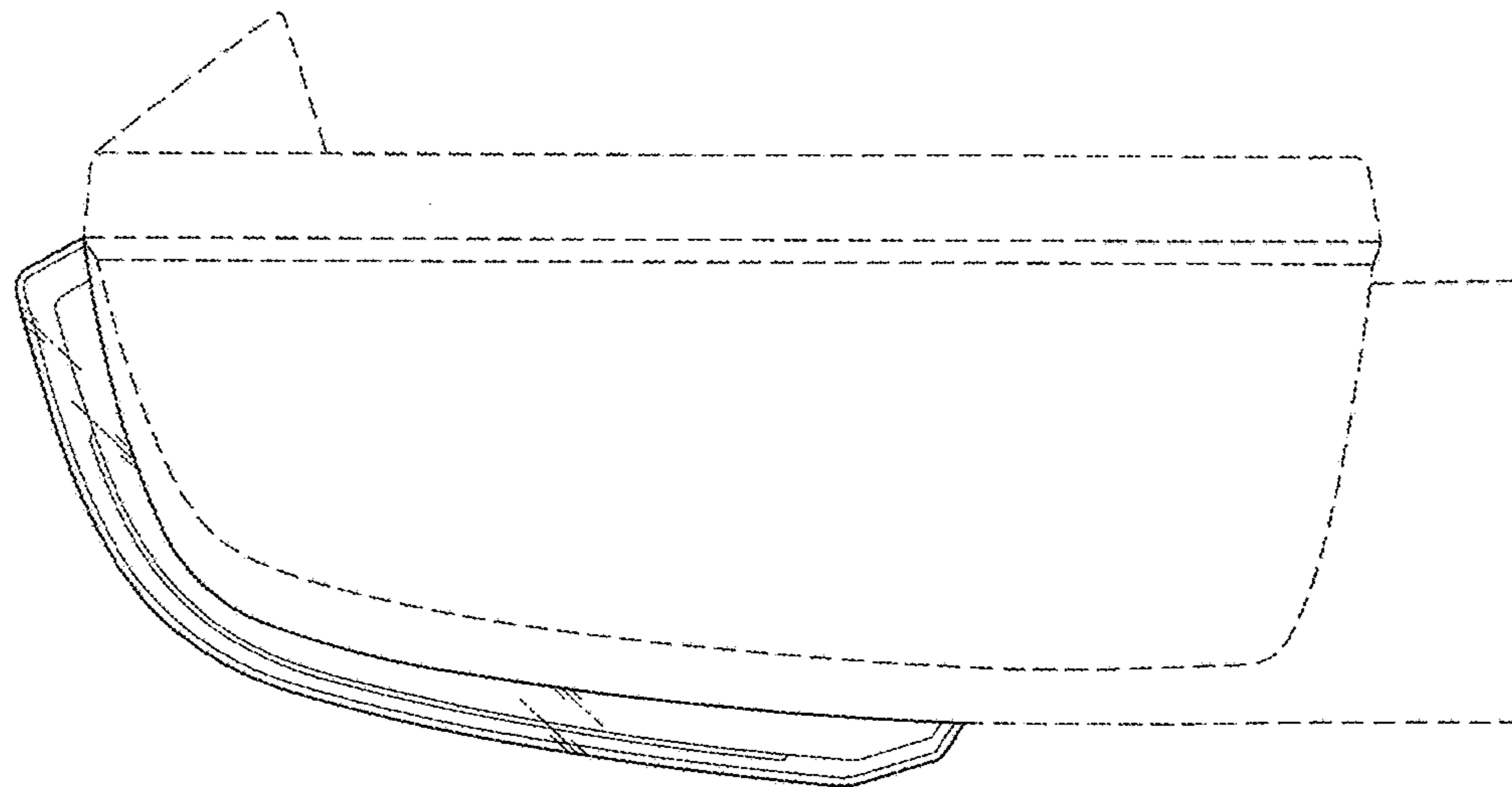


FIG. 6

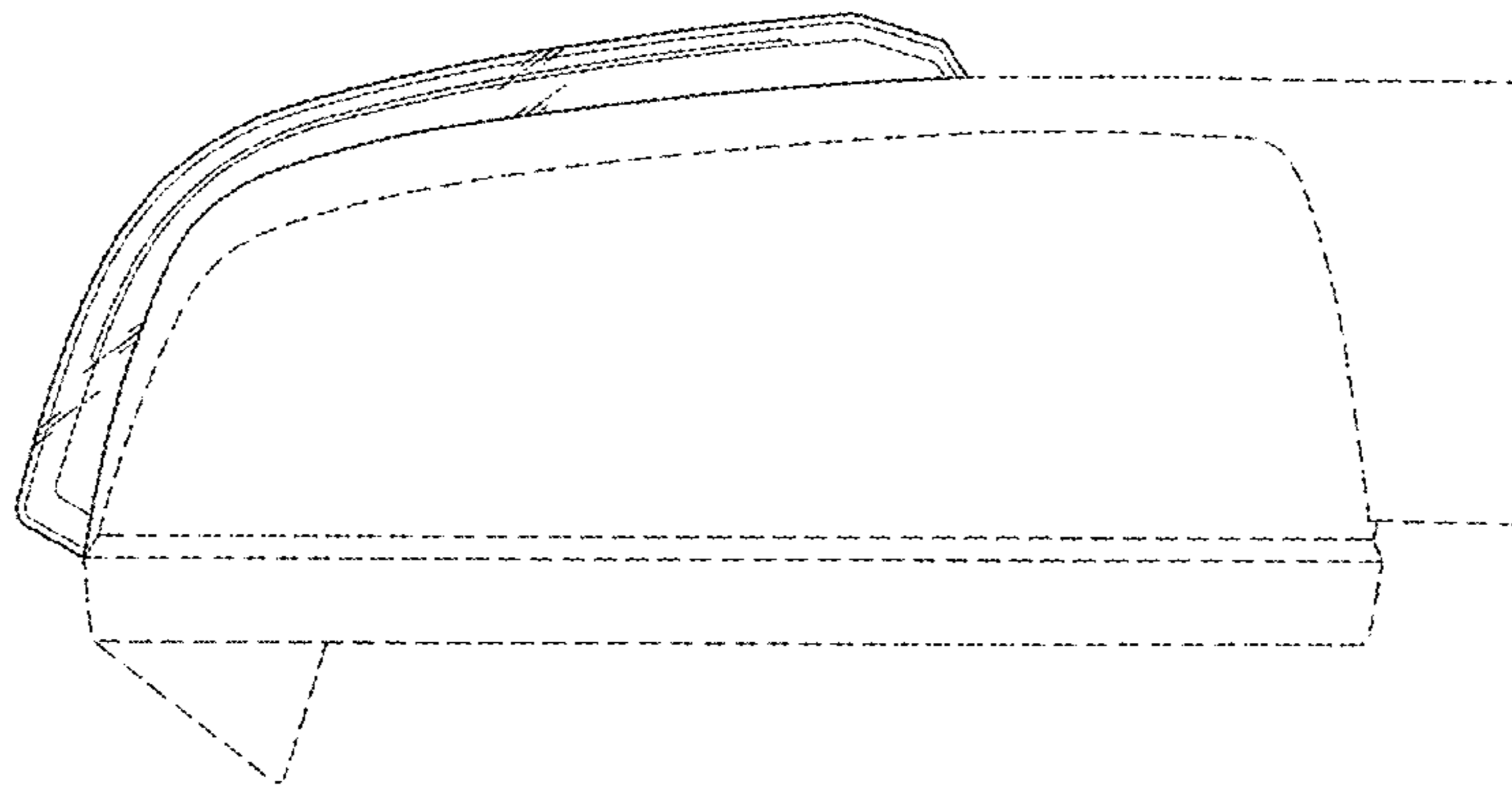


FIG. 7