



US00D786755S

(12) **United States Design Patent**  
**Sloterbeek et al.**

(10) **Patent No.:** **US D786,755 S**

(45) **Date of Patent:** **\*\* May 16, 2017**

(54) **MIRROR ASSEMBLY**

(71) Applicant: **Gentex Corporation**, Zeeland, MI (US)

(72) Inventors: **Eric S. Sloterbeek**, Hudsonville, MI (US); **Bradley R. Hamlin**, Allendale, MI (US)

(73) Assignee: **GENTEX CORPORATION**, Zeeland, MI (US)

(\*\*) Term: **14 Years**

(21) Appl. No.: **29/523,325**

(22) Filed: **Apr. 8, 2015**

(51) **LOC (10) Cl.** ..... **12-16**

(52) **U.S. Cl.**  
USPC ..... **D12/187**

(58) **Field of Classification Search**  
USPC ..... D12/187, 188-189; D6/300, 309  
CPC ..... B60R 1/076; G02B 7/182; G02B 5/08;  
G02B 7/18  
See application file for complete search history.

(56) **References Cited**

U.S. PATENT DOCUMENTS

D730,792 S *	6/2015	Roth	.....	D12/187
D731,376 S *	6/2015	Hamlin	.....	D12/187
D744,395 S *	12/2015	Hamlin	.....	D12/187
D746,195 S *	12/2015	Sloterbeek	.....	D12/187
D746,198 S *	12/2015	Hamlin	.....	D12/187
D746,744 S *	1/2016	Sloterbeek	.....	D12/187
D761,169 S *	7/2016	Roth	.....	D12/187

D761,170 S *	7/2016	Roth	.....	D12/187
D761,171 S *	7/2016	Roth	.....	D12/187
D761,174 S *	7/2016	Hamlin	.....	D12/187
D763,151 S *	8/2016	Hamlin	.....	D12/187

\* cited by examiner

*Primary Examiner* — Katrina A Betton

(74) *Attorney, Agent, or Firm* — Price Heneveld LLP;  
Bradley D. Johnson

(57) **CLAIM**

The ornamental design for a mirror assembly, as shown and described.

**DESCRIPTION**

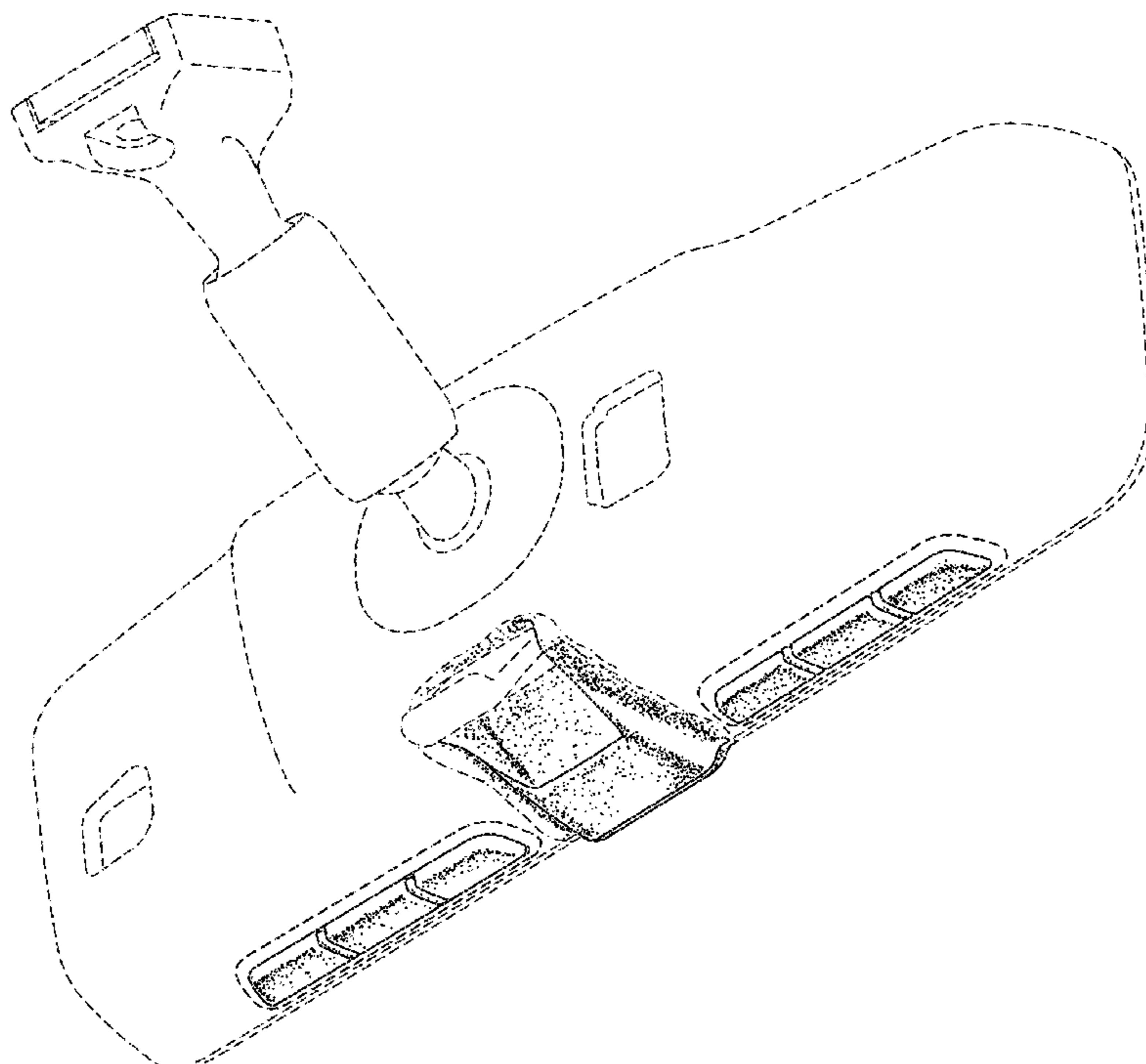
FIG. 1 is a top-front perspective view of a mirror assembly according to a first embodiment of our design; FIG. 2 is a bottom-rear perspective view thereof; FIG. 3 is a front view thereof; FIG. 4 is a back view thereof; FIG. 5 is a top view thereof; FIG. 6 is a bottom view thereof; FIG. 7 is a right side view thereof; and, FIG. 8 is a left side view thereof.

Broken lines are environmental only and form no part of the claimed design.

Dash-dot lines adjacent un-shaded areas represent bounds of the claimed design and form no part of the claimed design themselves.

The stippling in the Figures is shading and does not represent surface ornamentation. Applicant reserves the right to replace the stippling with lined shading consistent therewith by later amendment.

**1 Claim, 8 Drawing Sheets**



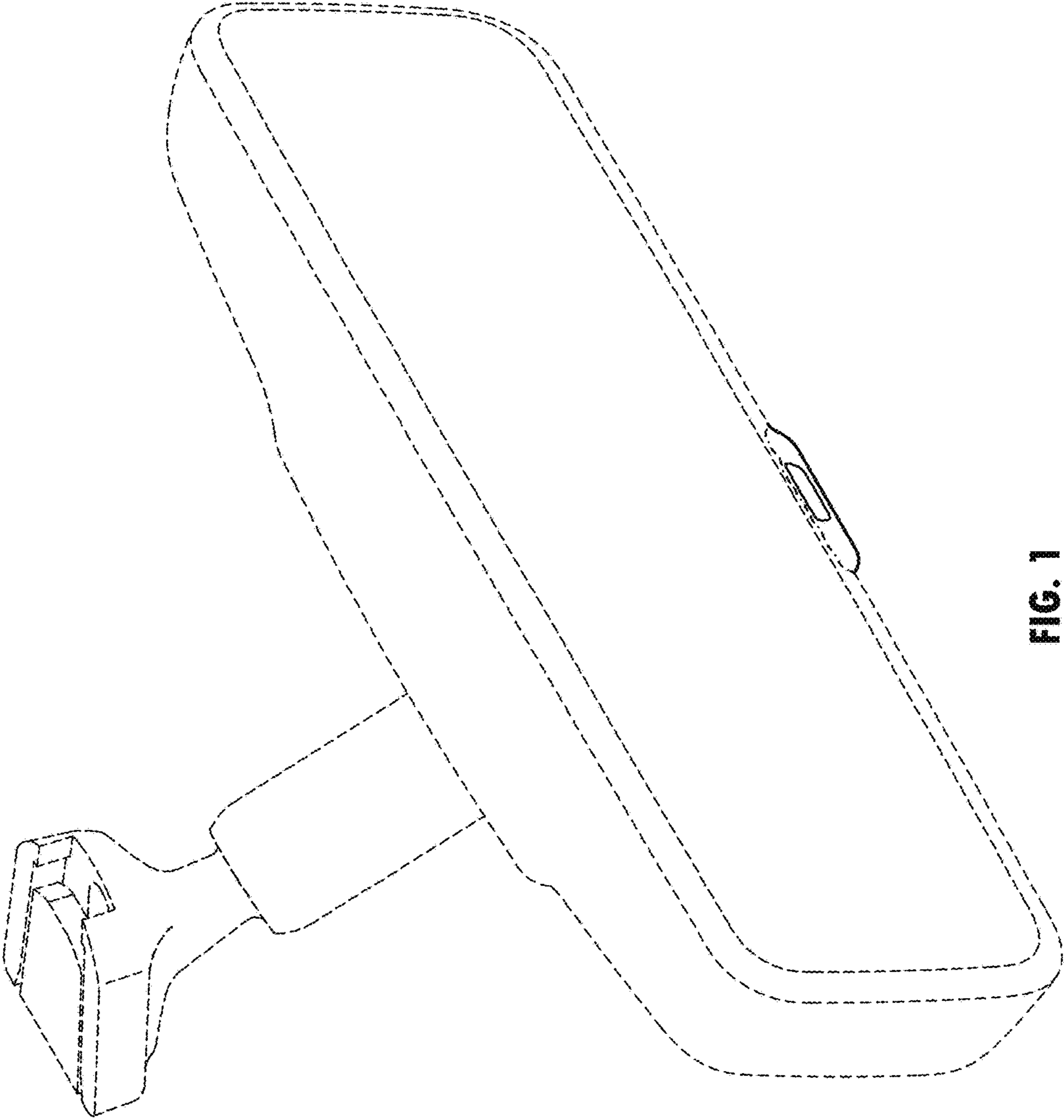


FIG. 1

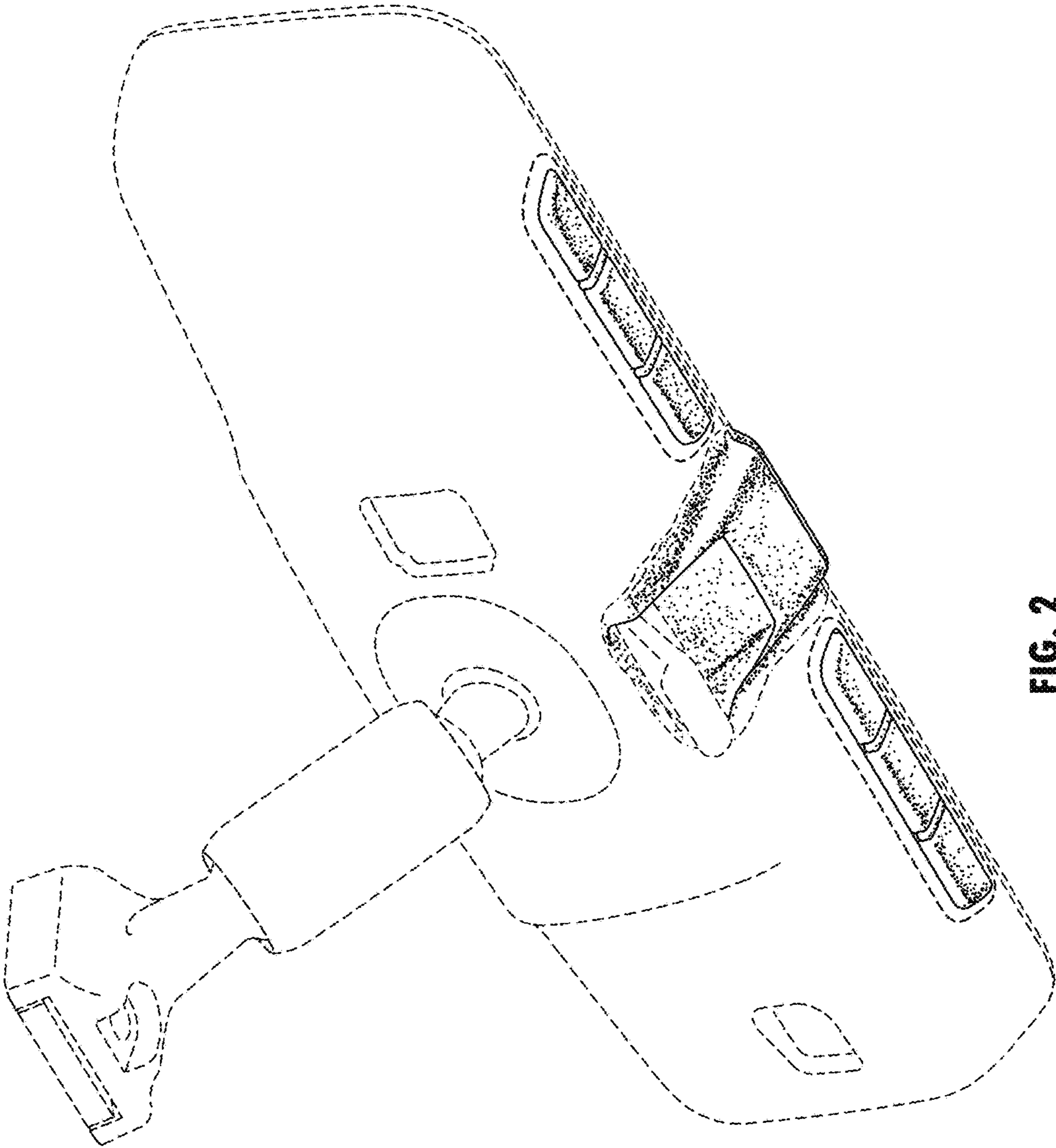


FIG. 2

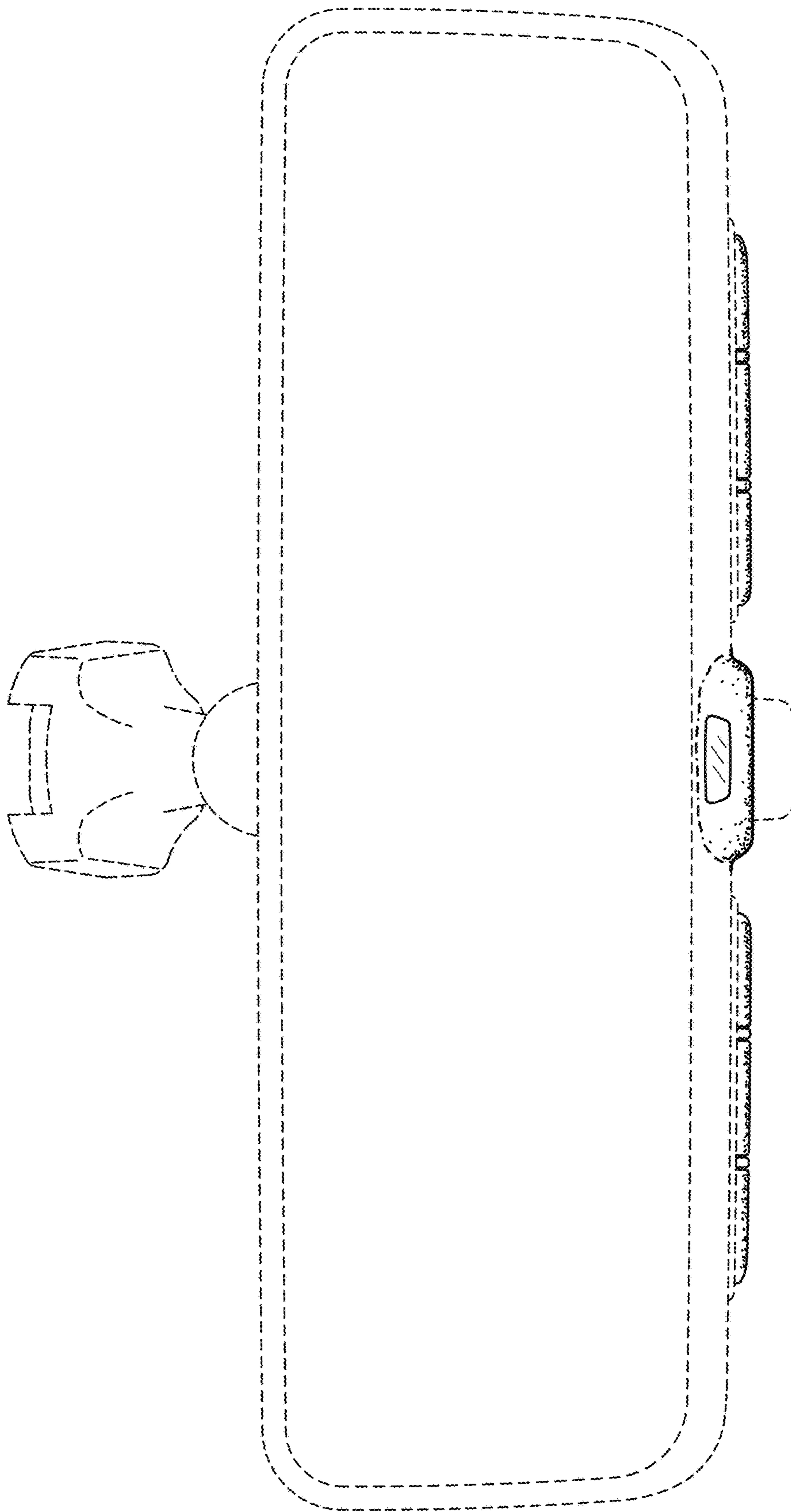


FIG. 3

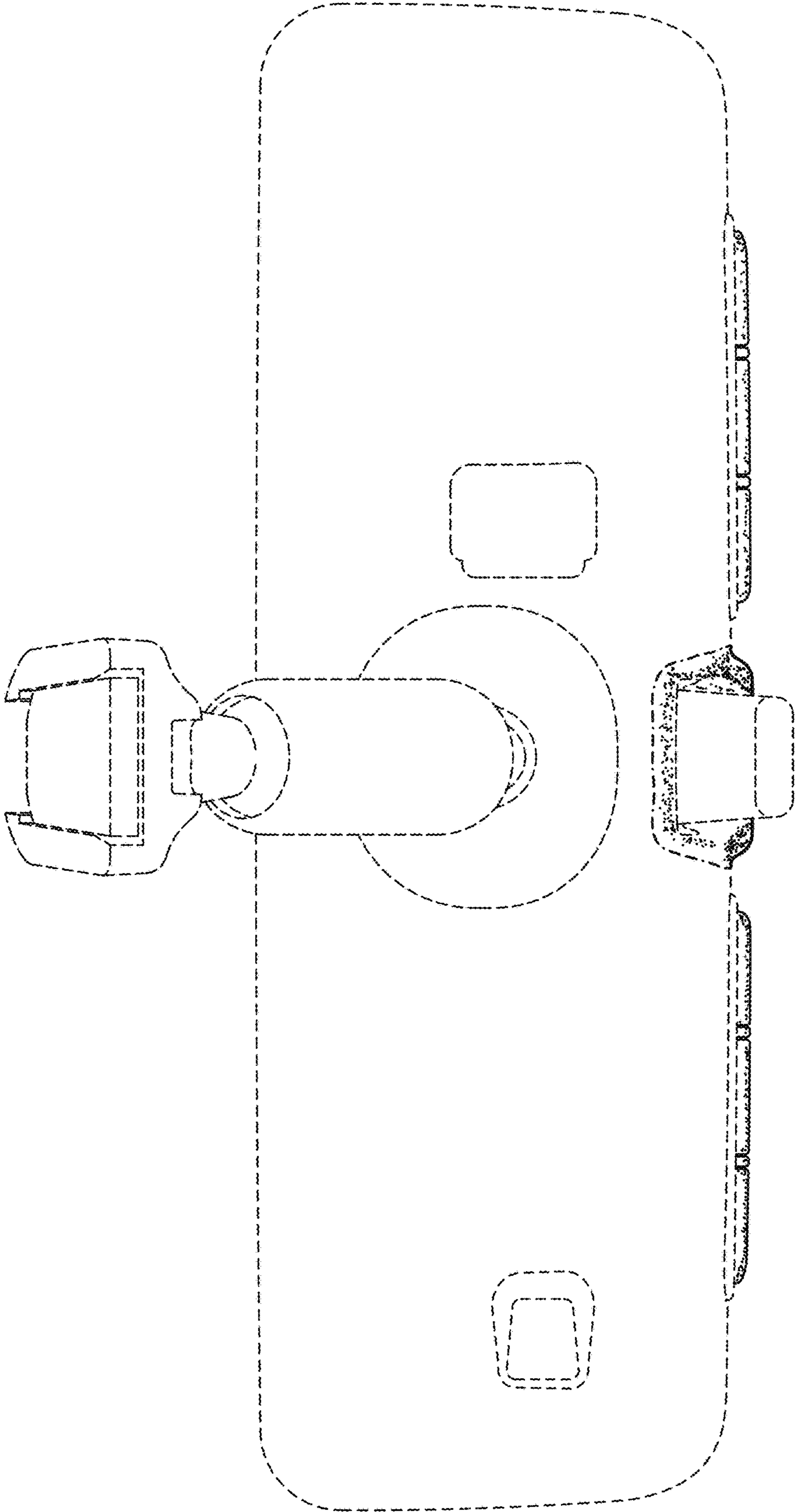


FIG. 4

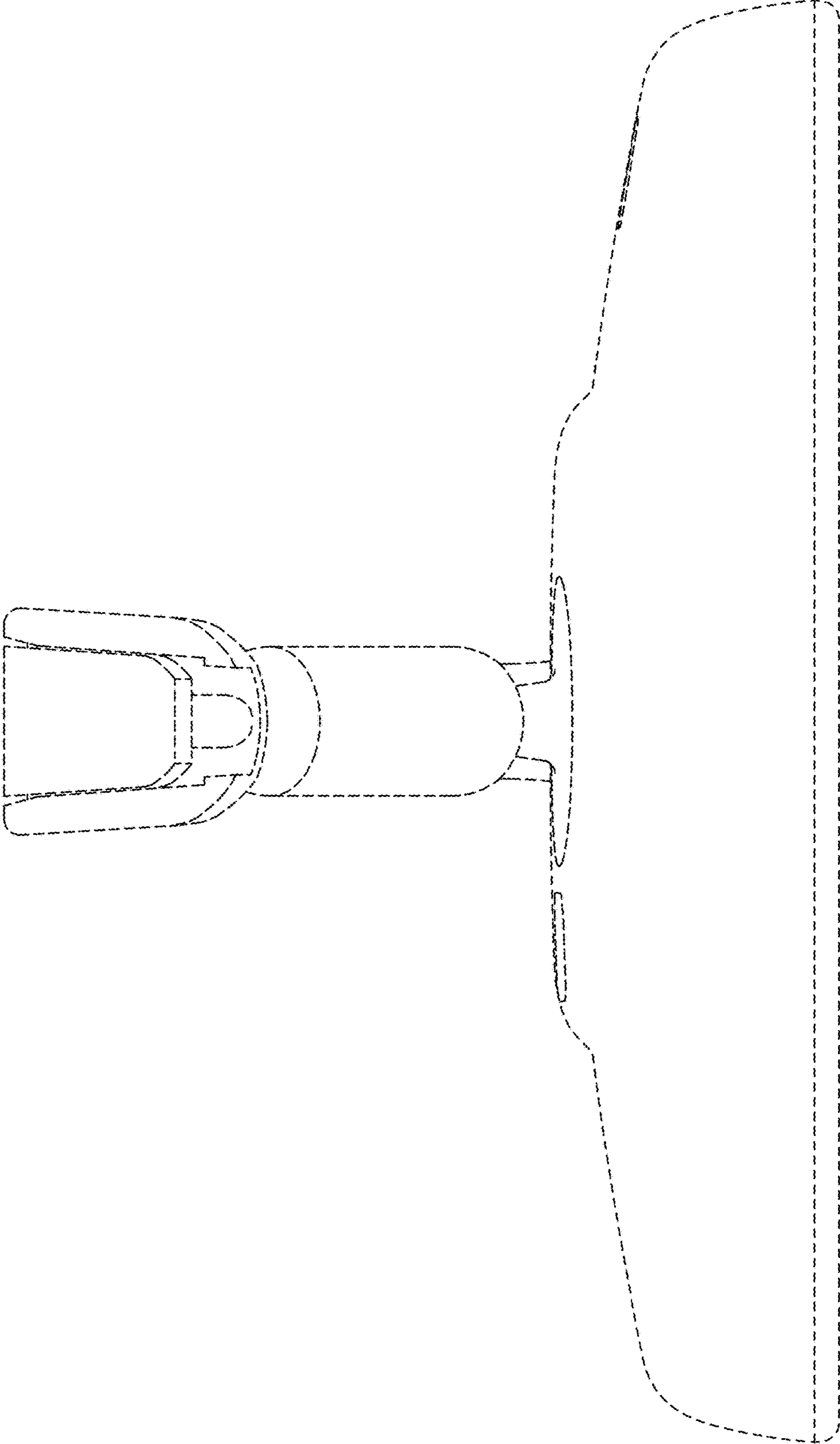


FIG. 5

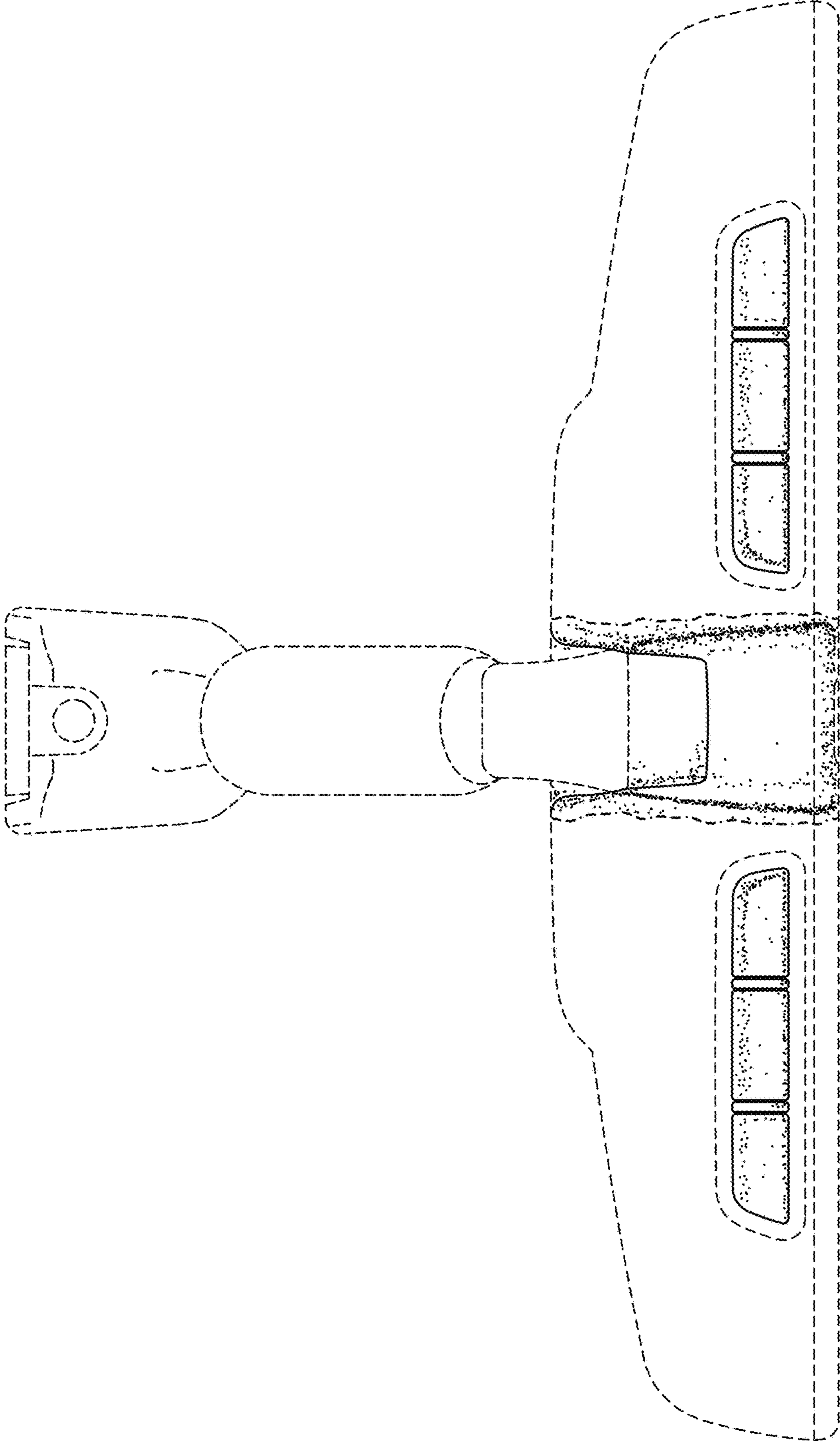


FIG. 6

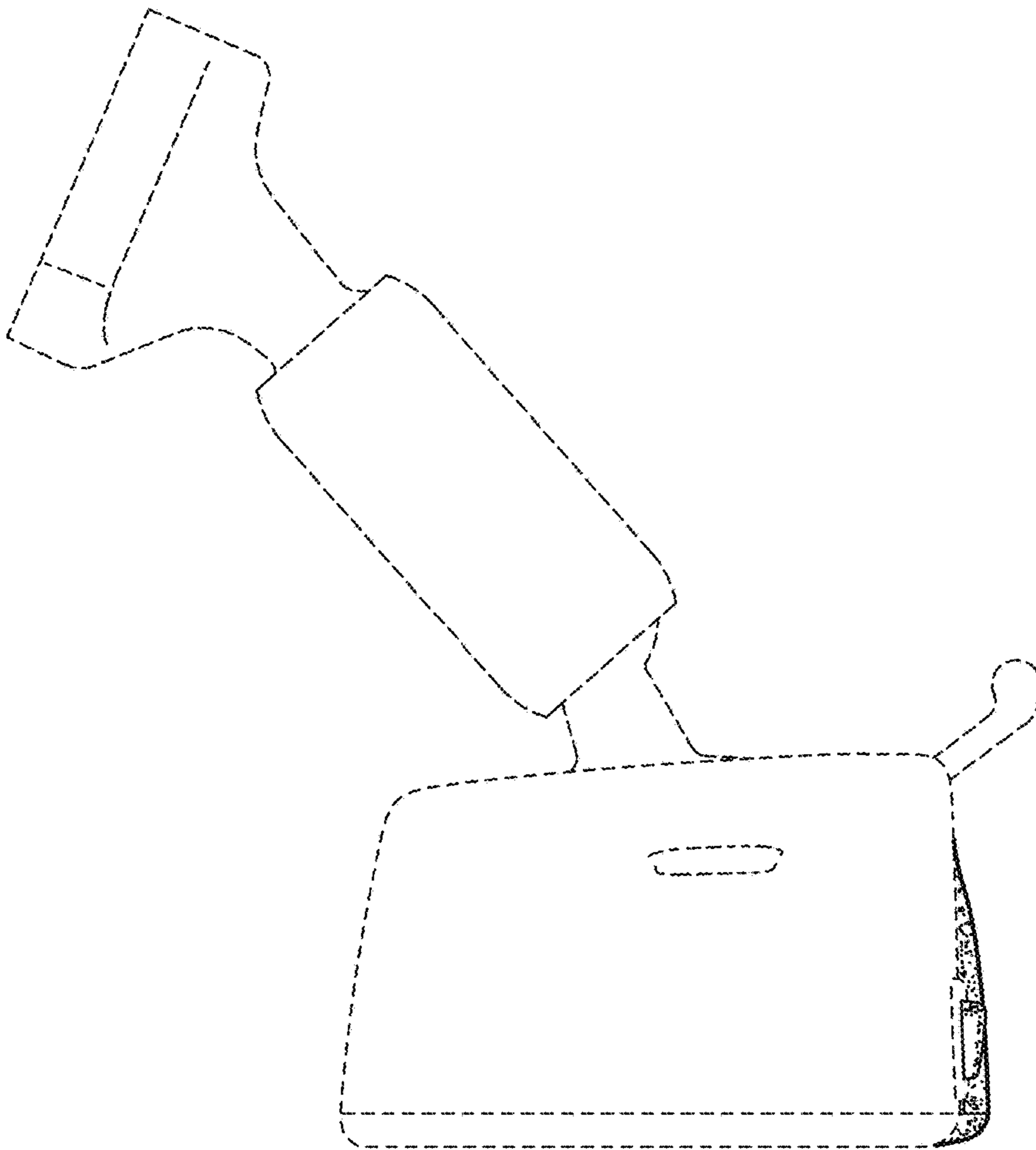


FIG. 7



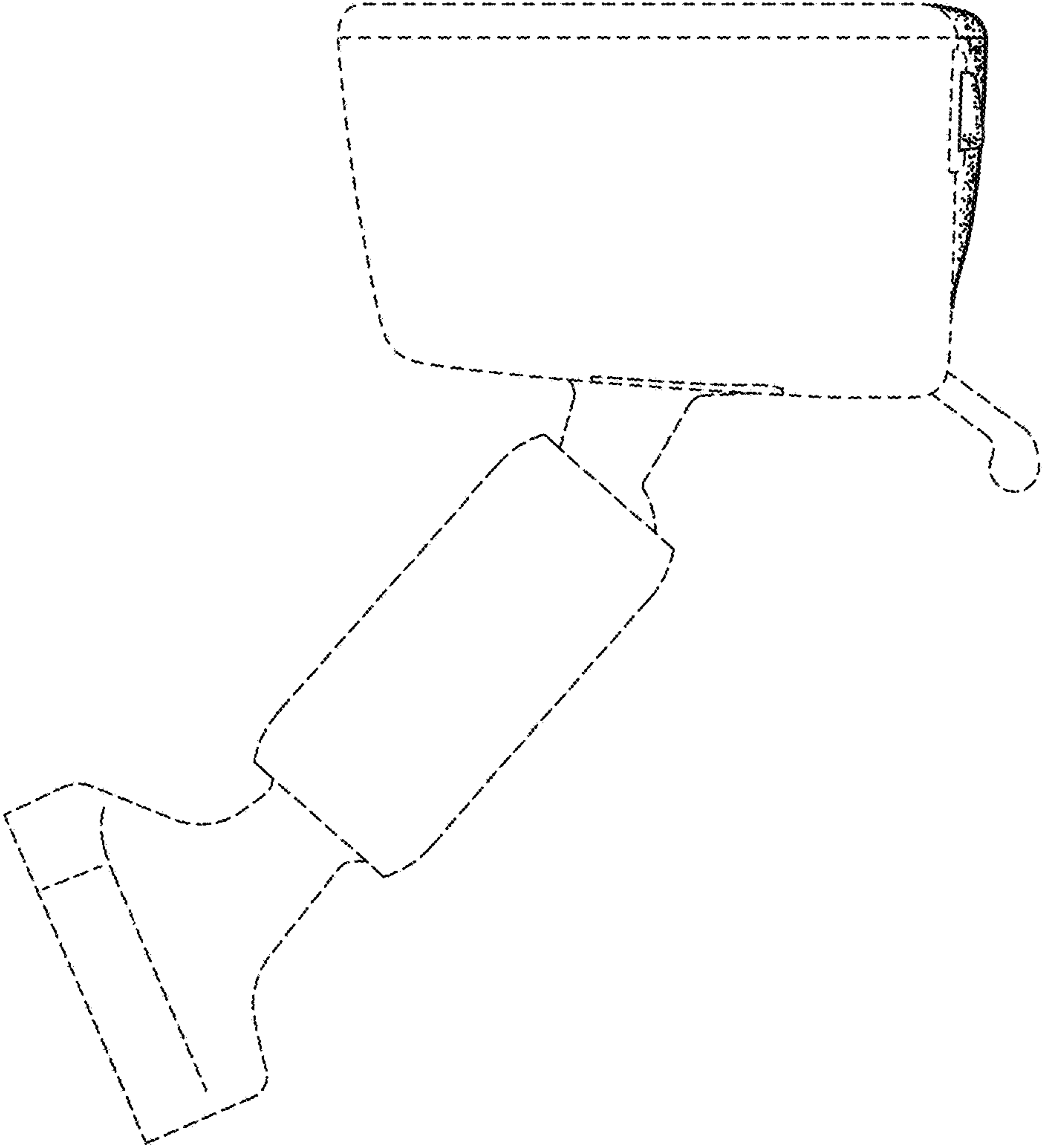


FIG. 8