



US00D786747S

(12) **United States Design Patent** (10) **Patent No.:** **US D786,747 S**
Woolley (45) **Date of Patent:** **** May 16, 2017**

(54) **FRONT BUMPER FOR A VEHICLE**
(71) Applicant: **Jaguar Land Rover Limited**, Whitley,
Coventry (GB)

(72) Inventor: **Richard Woolley**, Coventry (GB)

(73) Assignee: **Jaguar Land Rover Limited**, Whitley,
Coventry (GB)

(**) Term: **15 Years**

(21) Appl. No.: **29/555,913**

(22) Filed: **Feb. 25, 2016**

(30) **Foreign Application Priority Data**

Sep. 4, 2015 (EM) 002766659

(51) **LOC (10) Cl.** **12-16**

(52) **U.S. Cl.**
USPC **D12/169**

(58) **Field of Classification Search**
USPC D12/169, 216, 90-92, 86, 171, 196, 163;
293/102, 113, 115, 117, 120; 296/180.1,
296/180.2

CPC .. B60R 19/52; B60R 2019/25; B62D 25/0845
See application file for complete search history.

(56) **References Cited**

U.S. PATENT DOCUMENTS

- D705,706 S * 5/2014 Kawasaki D12/169
- D706,171 S * 6/2014 Bischoff D12/91
- D716,695 S * 11/2014 Woolley D12/91
- D718,188 S * 11/2014 Wheel D12/91
- D718,681 S * 12/2014 Allen D12/169
- D730,788 S * 6/2015 Howell D12/169

- D735,610 S * 8/2015 Wheel D12/91
- D736,683 S * 8/2015 Glover D12/169
- D749,474 S * 2/2016 Battams D12/169
- D753,557 S * 4/2016 Frascella D12/169

* cited by examiner

Primary Examiner — Melody N Brown

(74) *Attorney, Agent, or Firm* — Wood Herron & Evans
LLP

(57) **CLAIM**

The ornamental design for a front bumper for a vehicle, as shown and described.

DESCRIPTION

FIG. 1 is a right front perspective view of a front bumper for a vehicle according to the present invention.

FIG. 2 is a left rear perspective view of the front bumper for a vehicle shown in FIG. 1.

FIG. 3 is a front view thereof.

FIG. 4 is a rear view thereof.

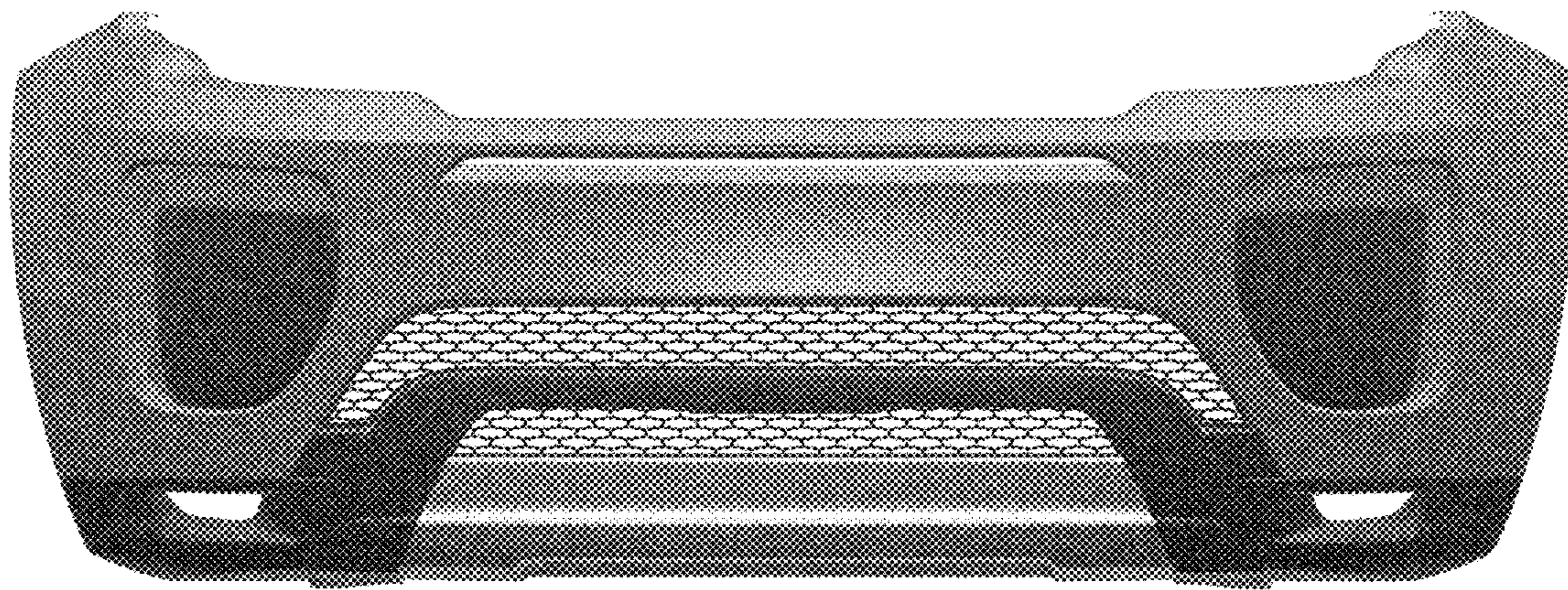
FIG. 5 is a left side view thereof.

FIG. 6 is a right side view thereof.

FIG. 7 is a top view thereof; and,

FIG. 8 is a right front perspective view of the front bumper for a vehicle shown in FIG. 1, with the front bumper for a vehicle mounted on a vehicle shown in de-emphasized and half-tone portions so as to illustrate environmental structures for the vehicle front. These portions form no part of the claimed invention. More particularly, in FIG. 8, the front bumper of the present invention is shown within the broken lines, and any elements shown outside of the broken lines form no part of the claimed invention, but are instead included to show environmental aspects thereof.

1 Claim, 7 Drawing Sheets



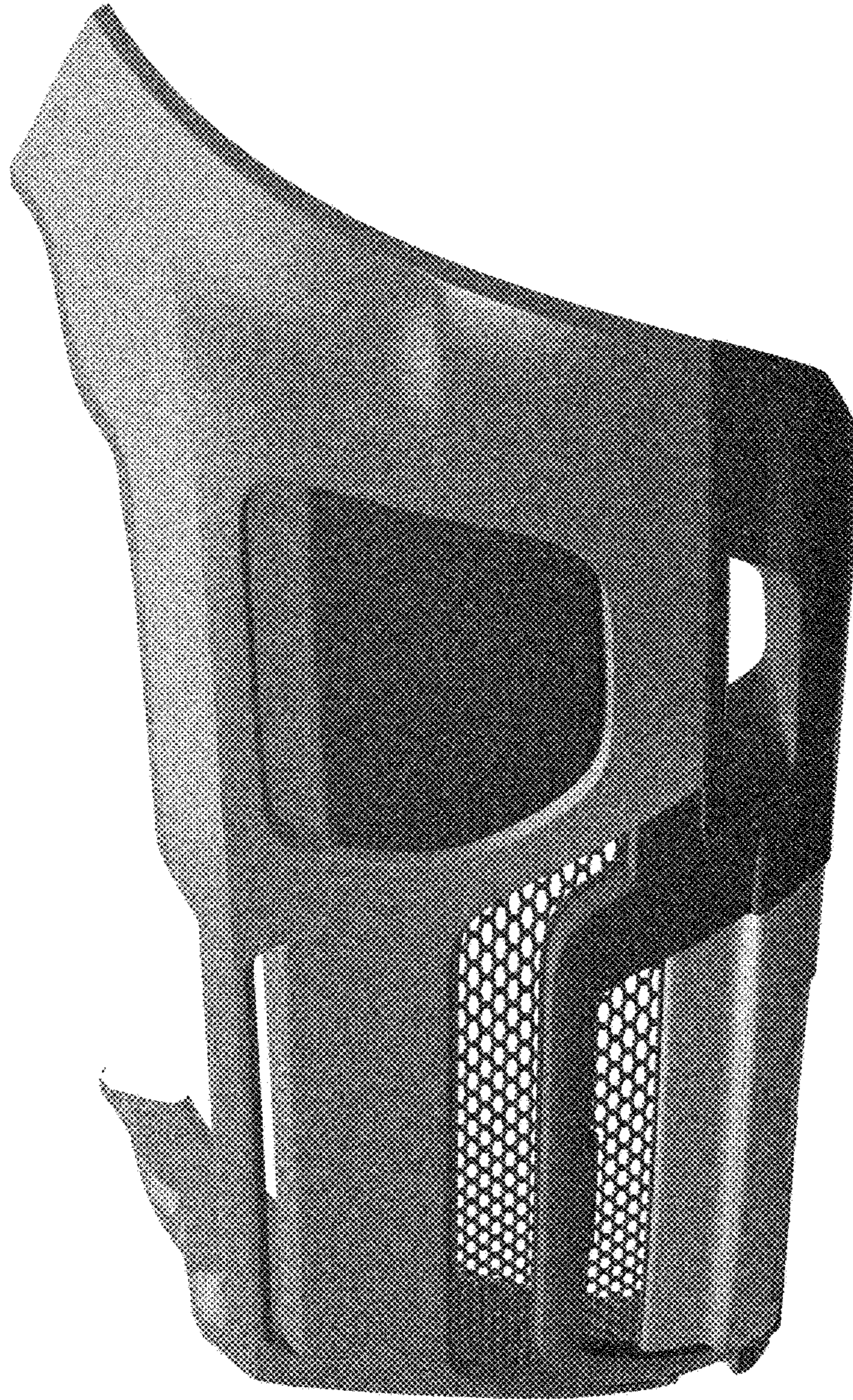


FIG. 1

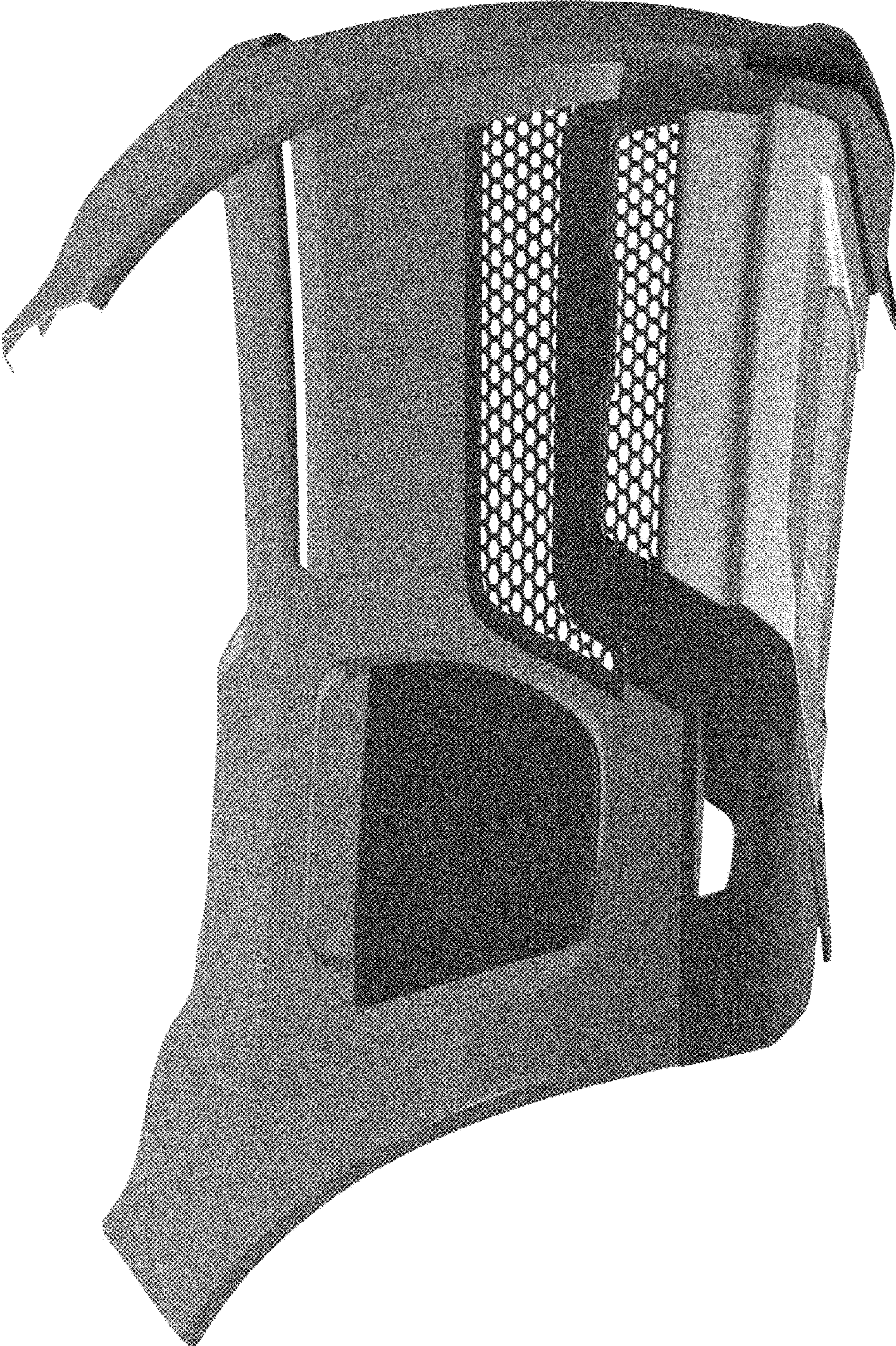


FIG. 2

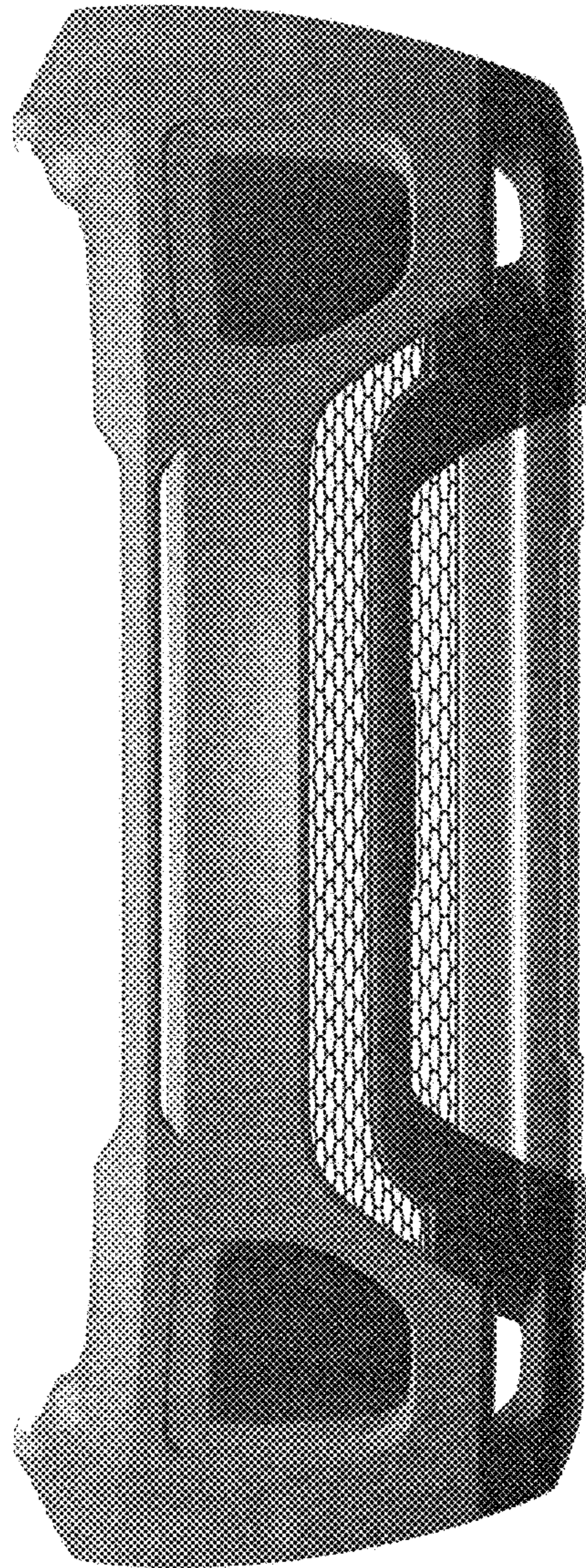


FIG. 3

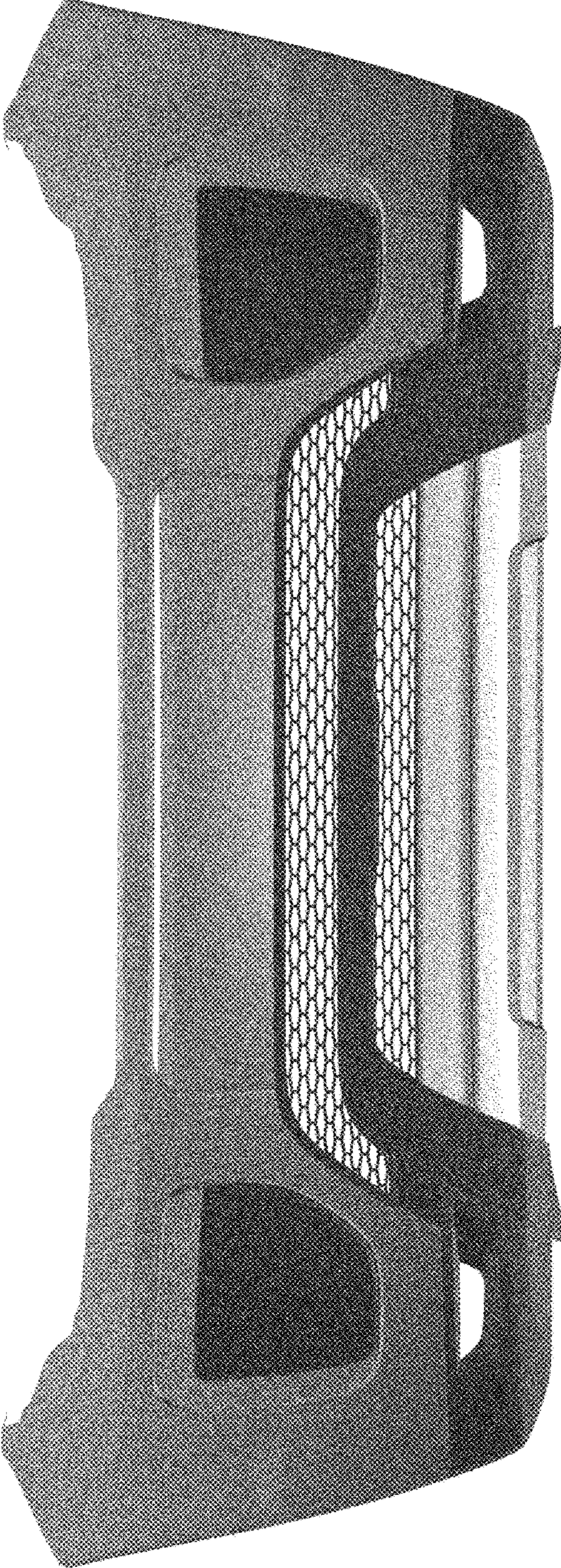


FIG. 4



FIG. 5



FIG. 6

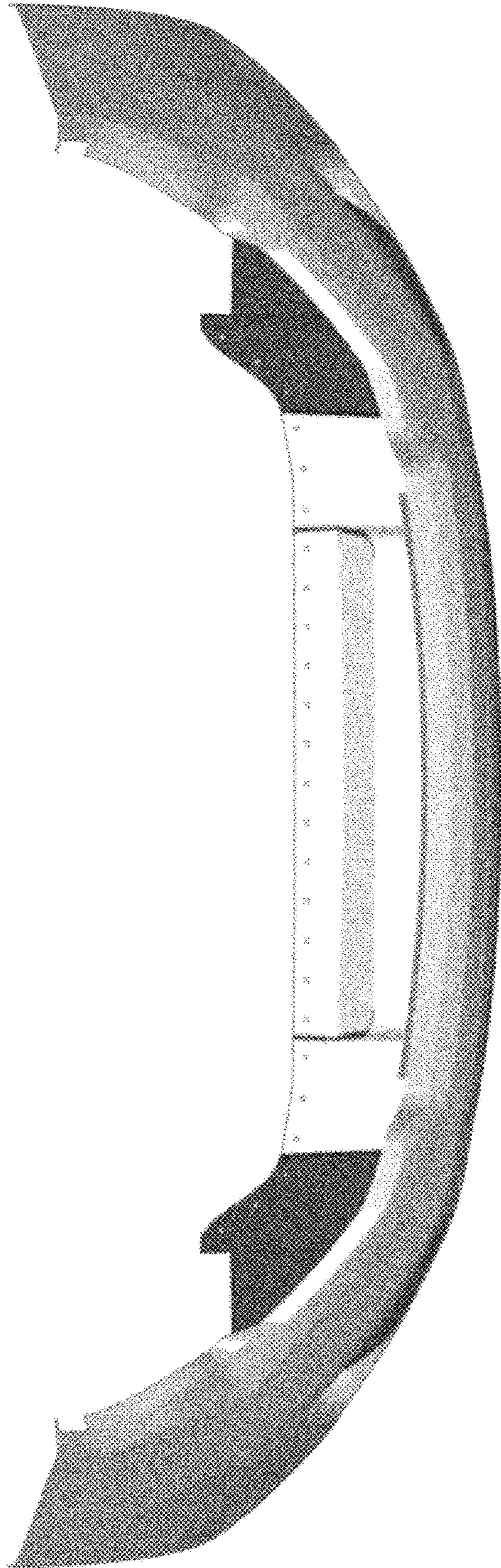


FIG. 7

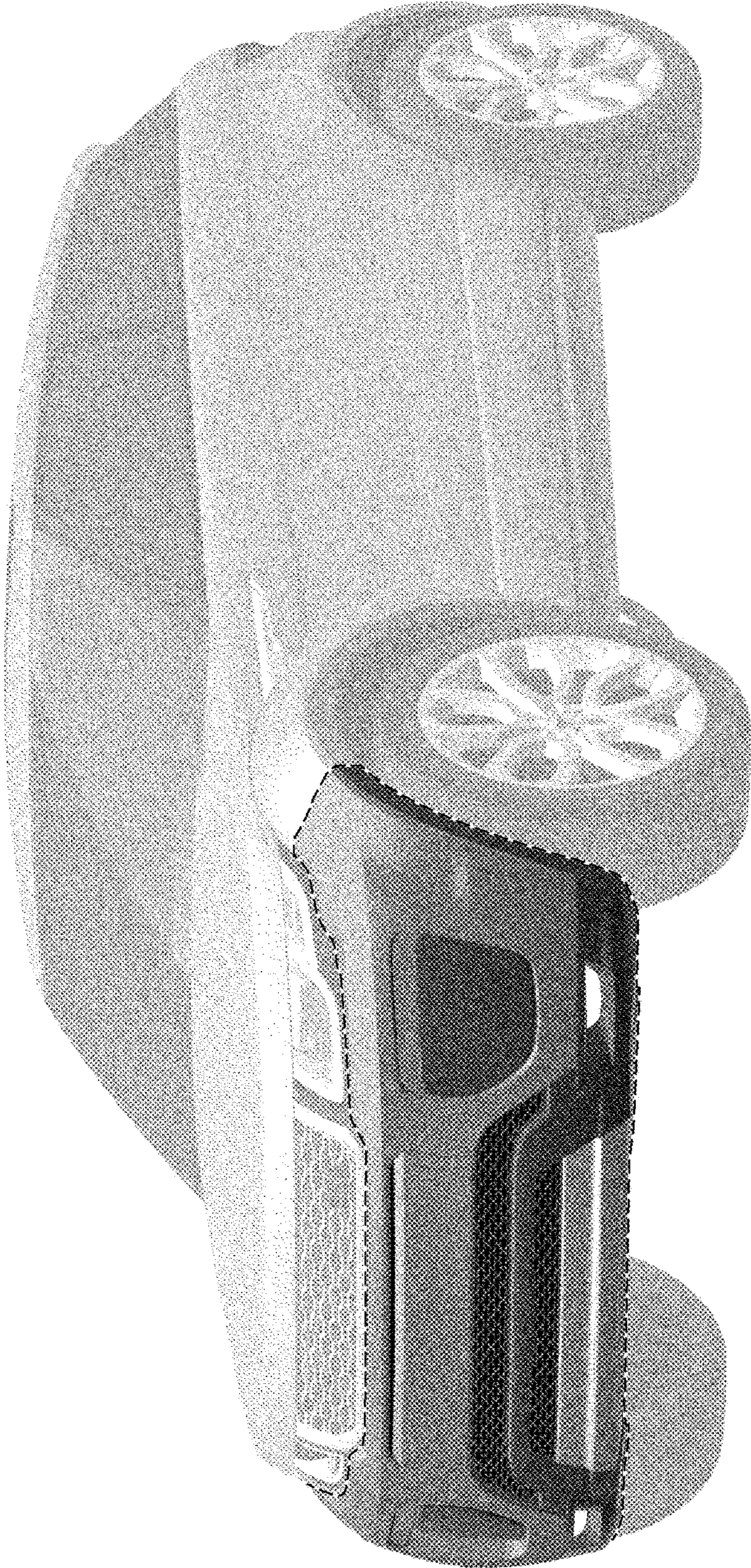


FIG. 8