



US00D786746S

(12) **United States Design Patent**
Wheel

(10) **Patent No.:** **US D786,746 S**

(45) **Date of Patent:** **** May 16, 2017**

(54) **REAR BUMPER**

(71) Applicant: **Jaguar Land Rover Limited**, Whitley,
Coventry (GB)

(72) Inventor: **Andrew Wheel**, Coventry (GB)

(73) Assignee: **Jaguar Land Rover Limited**, Whitley,
Coventry (GB)

(**) Term: **15 Years**

(21) Appl. No.: **29/527,446**

(22) Filed: **May 19, 2015**

(30) **Foreign Application Priority Data**

Feb. 19, 2015 (EM) 002637587-0004
Feb. 19, 2015 (EM) 002637587-0005

(51) **LOC (10) Cl.** **12-16**

(52) **U.S. Cl.**
USPC **D12/169**

(58) **Field of Classification Search**
USPC D12/169, 216, 90-92, 86, 171, 196, 163;
293/102, 113, 115, 117, 120; 296/180.1,
296/180.2
CPC .. B60R 19/52; B60R 2019/25; B62D 25/0845
See application file for complete search history.

(56) **References Cited**

U.S. PATENT DOCUMENTS

D578,449 S * 10/2008 Jodo D12/169
D683,285 S * 5/2013 Yoshida D12/169
D692,808 S * 11/2013 Morioka D12/169
D695,168 S * 12/2013 Kawasaki D12/169

D705,140 S * 5/2014 Kawasaki D12/169
D712,805 S * 9/2014 Murkett D12/169
D733,004 S * 6/2015 Huang D12/91
D749,468 S * 2/2016 Frascella D12/169

* cited by examiner

Primary Examiner — Melody N Brown

(74) *Attorney, Agent, or Firm* — Wood Herron & Evans
LLP

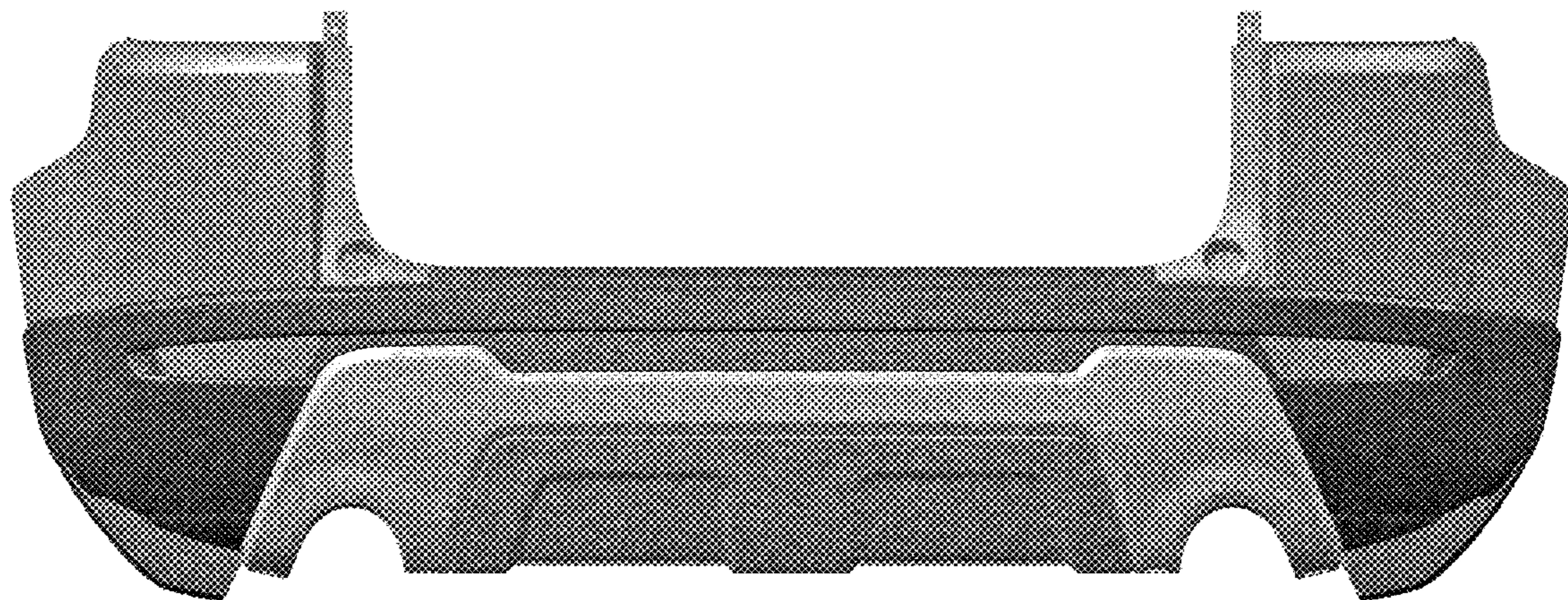
(57) **CLAIM**

The ornamental design for a rear bumper, as shown and described.

DESCRIPTION

FIG. 1 is a right, front perspective view of a rear bumper for a vehicle according to the present invention.
FIG. 2 is left, rear perspective view of the rear bumper shown in FIG. 1.
FIG. 3 is a front view thereof.
FIG. 4 is a rear view thereof.
FIG. 5 is a left side view thereof.
FIG. 6 is a right side view thereof.
FIG. 7 is a top view thereof; and,
FIG. 8 is another rear right perspective view of the rear bumper shown in FIG. 1, with the rear bumper mounted on a vehicle shown in de-emphasized and half-tone portions so as to illustrate environmental structures for the vehicle rear. These portions form no part of the claimed invention. More particularly, in FIG. 8, the rear bumper of the present invention is shown within the broken lines, and any elements shown outside of the broken lines form no part of the claimed invention, but are instead included to show environmental aspects of the claimed invention.

1 Claim, 7 Drawing Sheets



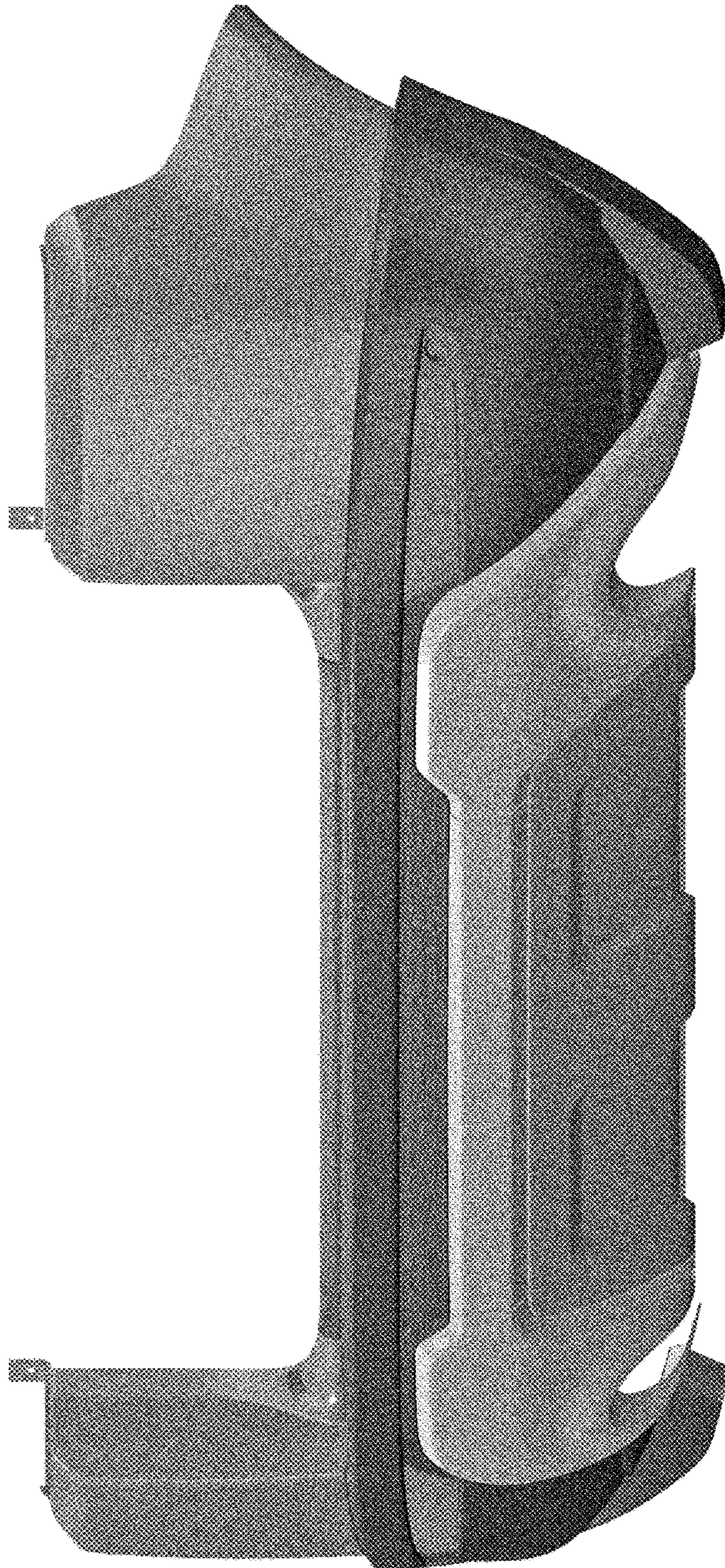


FIG. 1

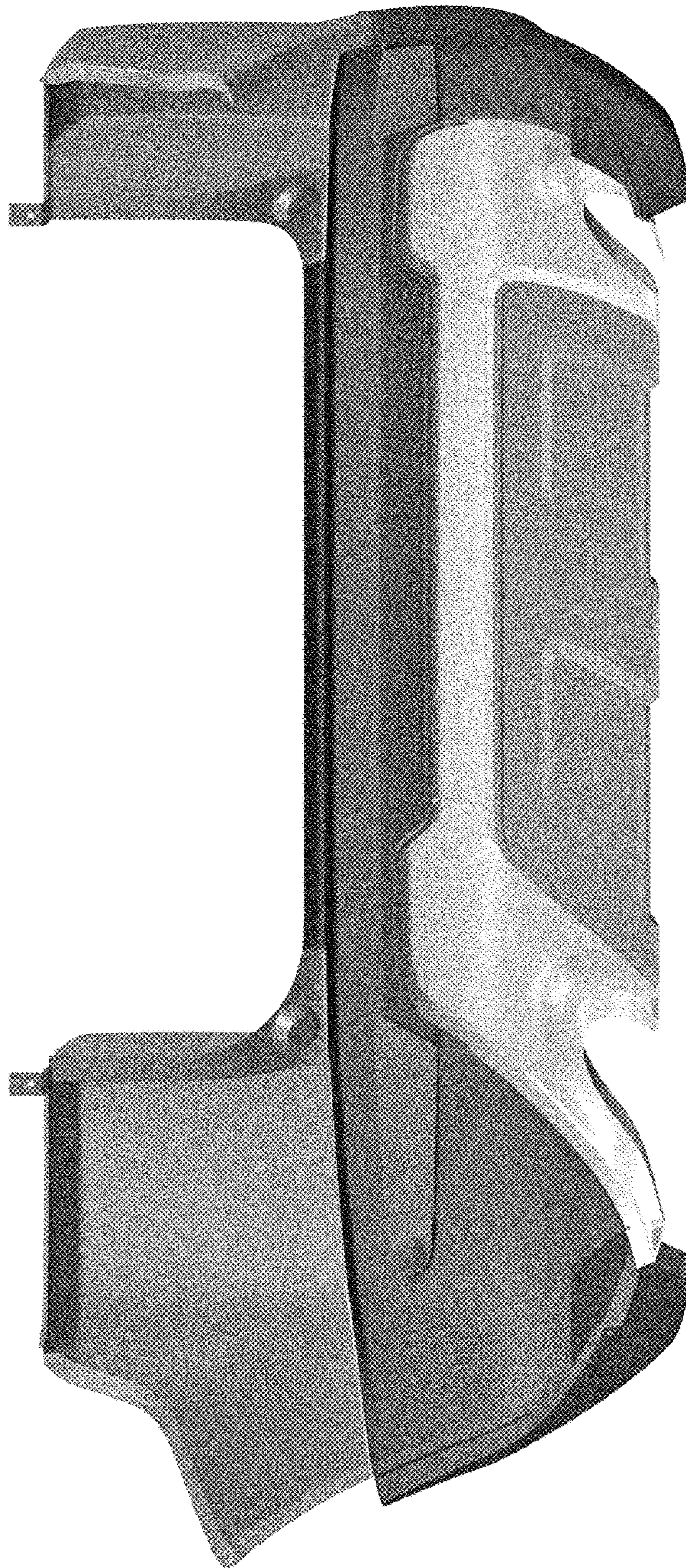


FIG. 2

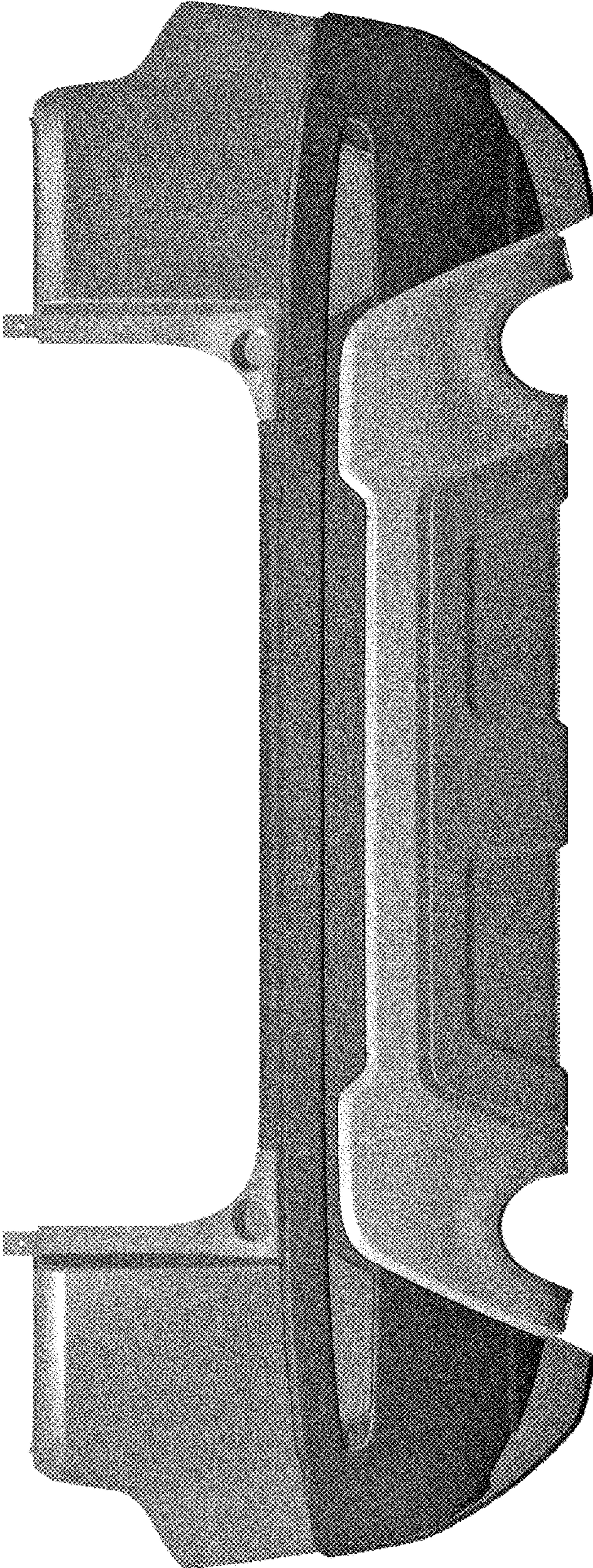


FIG. 3

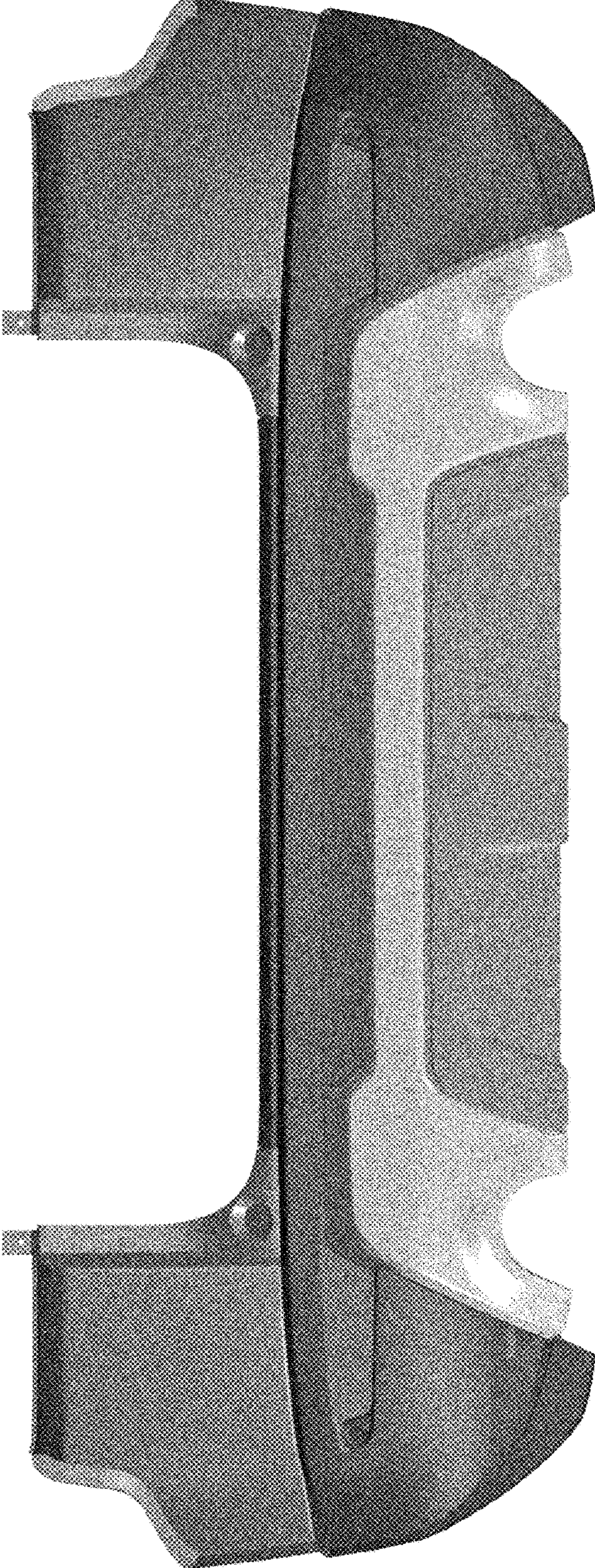


FIG. 4

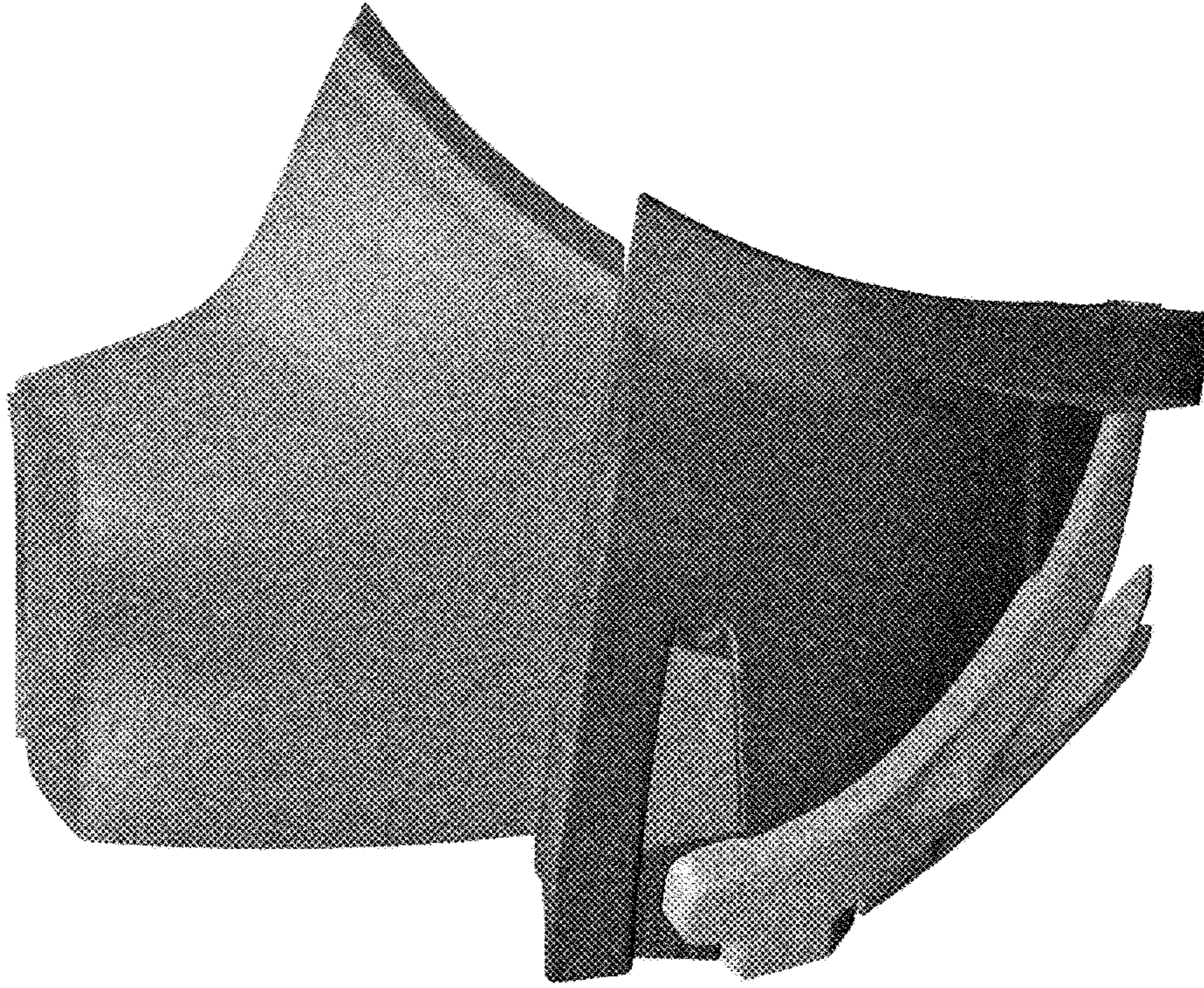


FIG. 5

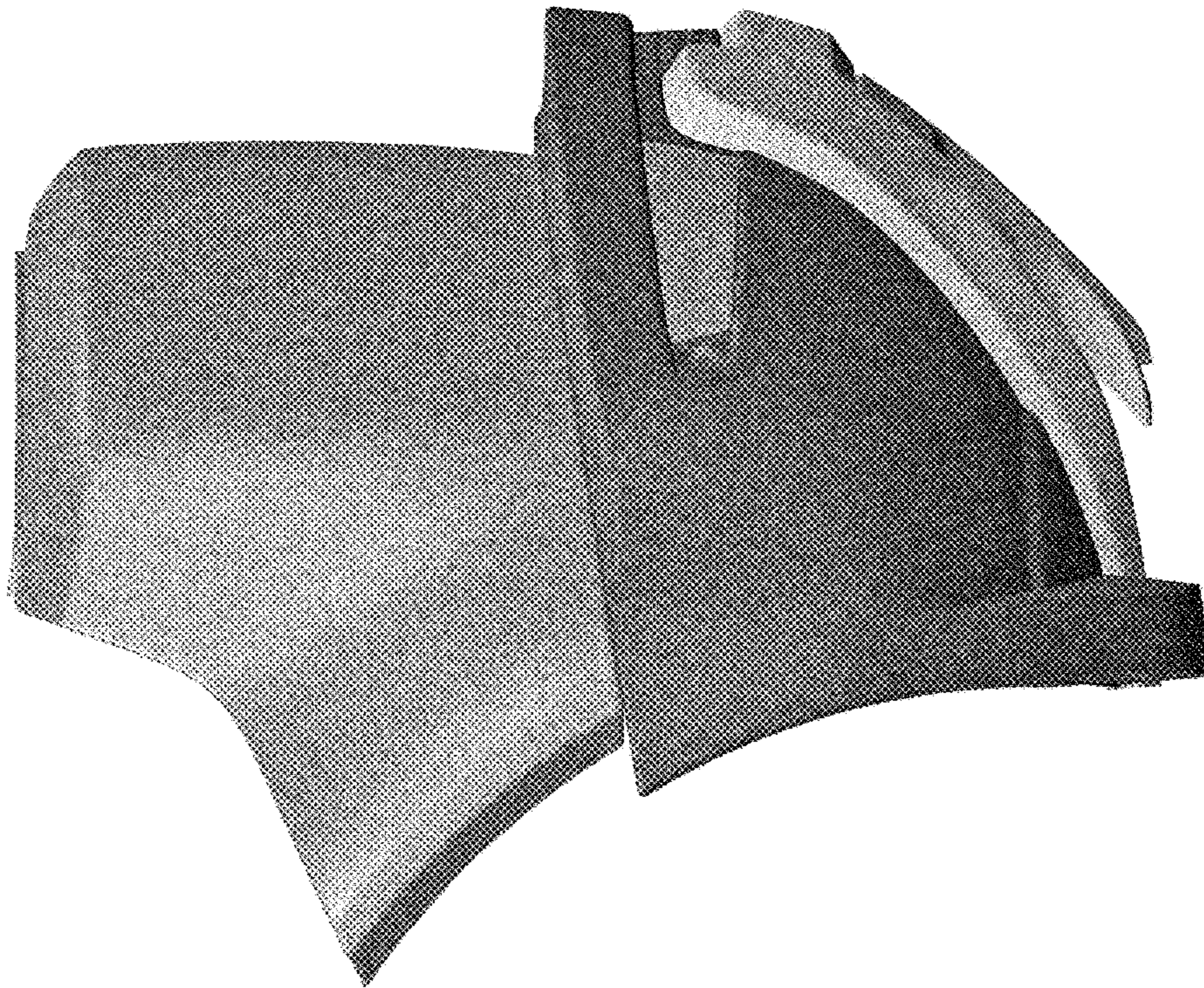


FIG. 6

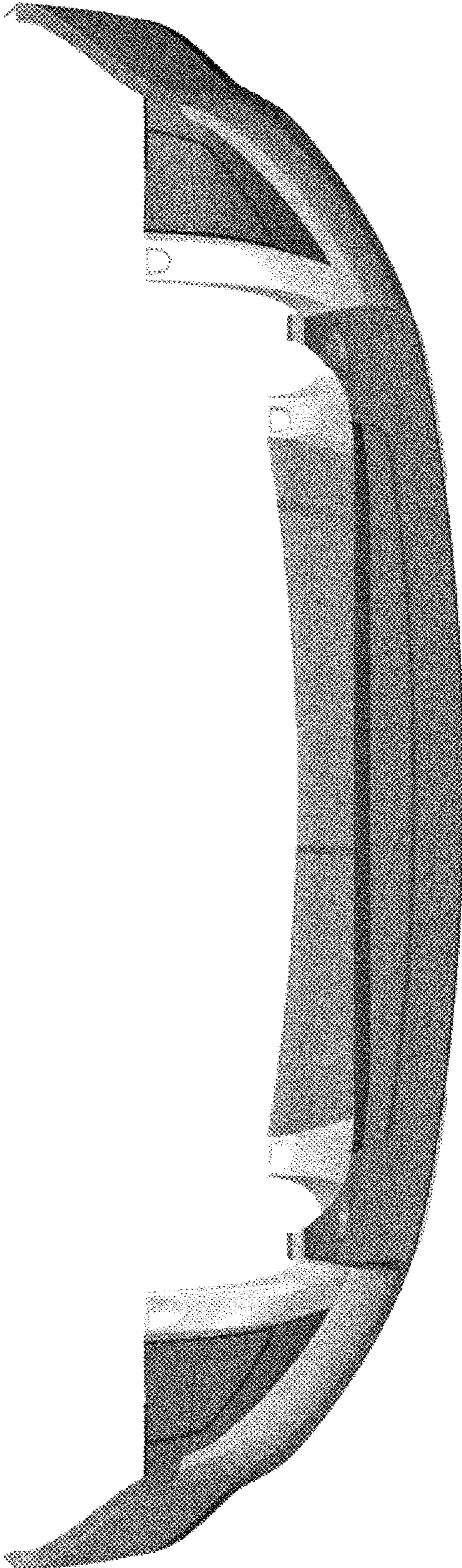


FIG. 7

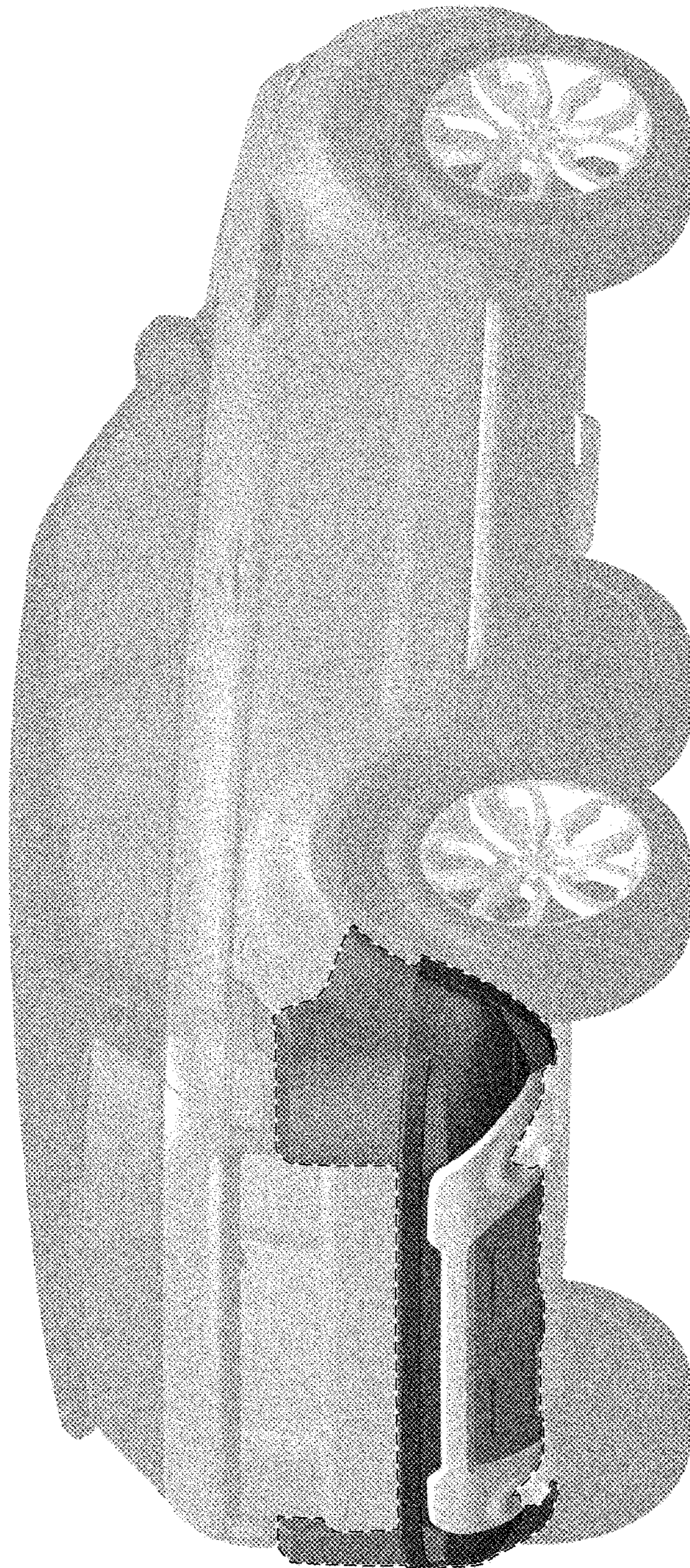


FIG. 8

UNITED STATES PATENT AND TRADEMARK OFFICE
CERTIFICATE OF CORRECTION

PATENT NO. : D786,746 S
APPLICATION NO. : 29/527446
DATED : May 16, 2017
INVENTOR(S) : Andrew Wheel

Page 1 of 1

It is certified that error appears in the above-identified patent and that said Letters Patent is hereby corrected as shown below:

On the Title Page

Column 2, under Description, "FIG. 2 is left, rear perspective view of ..." should read
--FIG. 2 is a left, rear perspective view of ...--.

Signed and Sealed this
Fifth Day of September, 2017



Joseph Matal
*Performing the Functions and Duties of the
Under Secretary of Commerce for Intellectual Property and
Director of the United States Patent and Trademark Office*