



US00D786745S

(12) **United States Design Patent** (10) **Patent No.:** **US D786,745 S**
Zeng (45) **Date of Patent:** **** May 16, 2017**

(54) **AUTOMOBILE FRONT-BUMPER**
(71) Applicant: **Chengdu Furinkazan Automobile Service Co., Ltd., Chengdu (CN)**
(72) Inventor: **Cheng Zeng, Chengdu (CN)**
(73) Assignee: **Chengdu Furinkazan Automobile Service Co., Ltd., Chengdu (CN)**
(**) Term: **15 Years**
(21) Appl. No.: **29/551,138**

D396,678 S * 8/1998 Shklyaver D12/171
D572,180 S * 7/2008 Storer D12/171
D614,095 S * 4/2010 Fretz D12/171
2013/0187395 A1 * 7/2013 Hanson B60R 19/52
293/115

* cited by examiner

Primary Examiner — Daniel Bui

Assistant Examiner — Andrew Kerr

(74) *Attorney, Agent, or Firm* — Schmeiser, Olsen & Watts, LLP

(22) Filed: **Jan. 11, 2016**
(30) **Foreign Application Priority Data**

Jul. 17, 2015 (CN) 2015 3 0258068

(51) **LOC (10) Cl.** **12-16**

(52) **U.S. Cl.**
USPC **D12/167**

(58) **Field of Classification Search**
USPC D12/163, 167, 171; 293/102, 107, 108,
293/115, 142
CPC B60R 19/52; B60R 19/48; B60R 19/18;
B60R 19/20; B60D 1/485
See application file for complete search history.

(56) **References Cited**

U.S. PATENT DOCUMENTS

D280,398 S * 9/1985 Milton D12/171
5,215,343 A * 6/1993 Fortune B60R 19/52
293/115

(57) **CLAIM**

The ornamental design for an automobile front-bumper, as shown and described.

DESCRIPTION

FIG. 1 is a Front elevational view of an automobile front-bumper showing my new design;
FIG. 2 is a Rear elevational view thereof;
FIG. 3 is a right side elevational view thereof;
FIG. 4 is a left side elevational view thereof;
FIG. 5 is a Top plan view thereof;
FIG. 6 is a Bottom plan view thereof; and,
FIG. 7 is a Perspective view thereof.

1 Claim, 7 Drawing Sheets

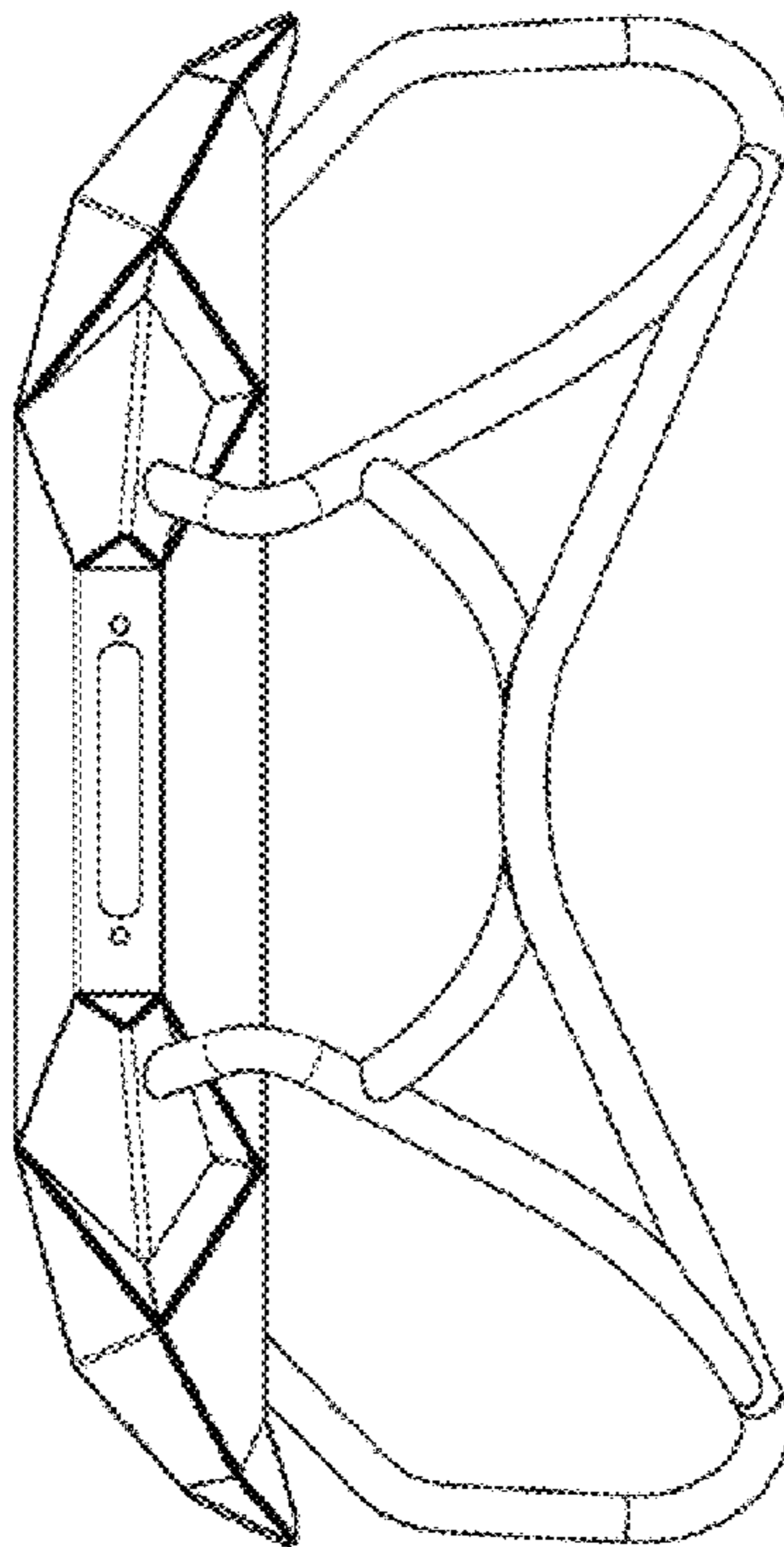


FIG 1

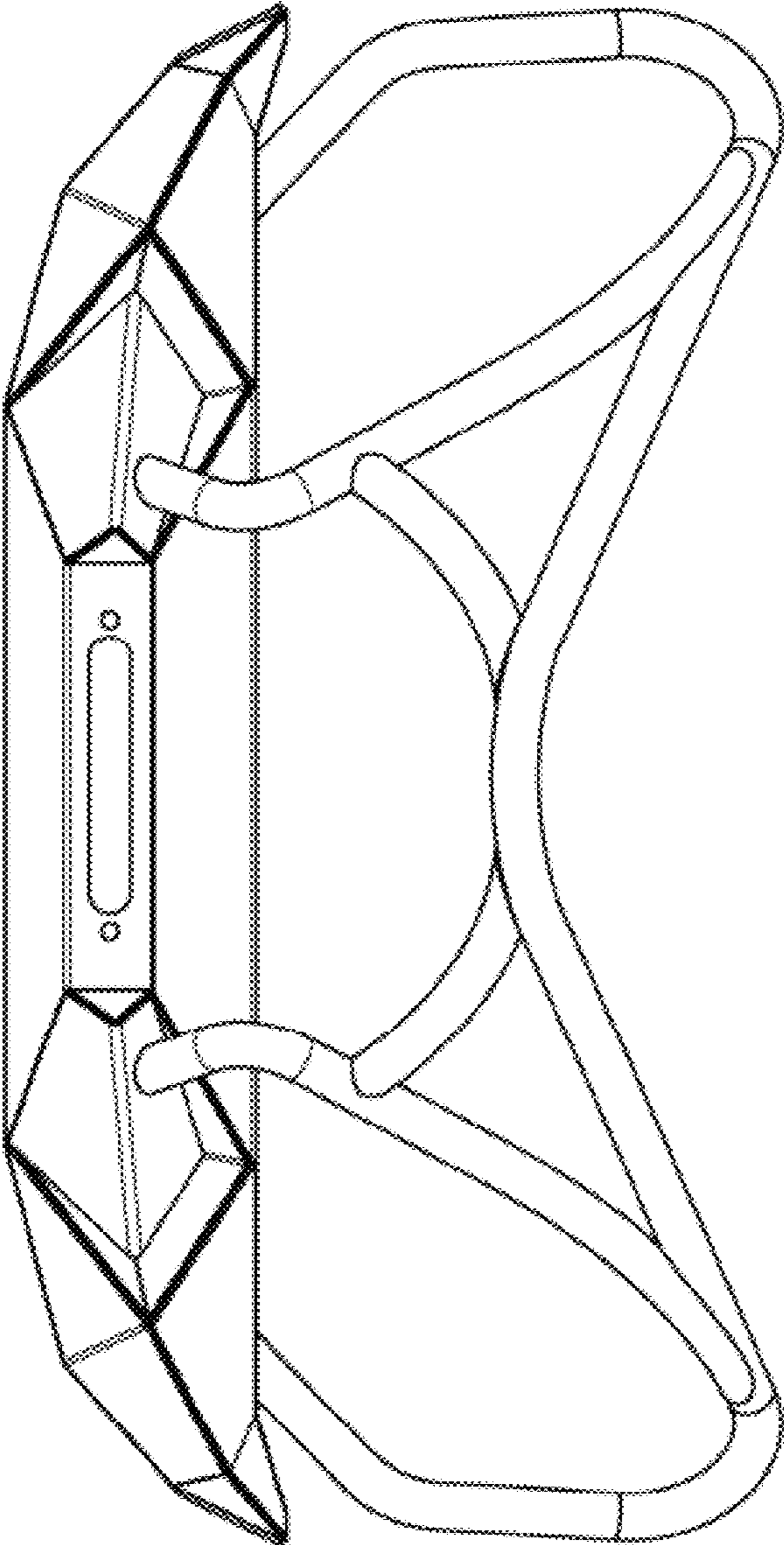


FIG 2

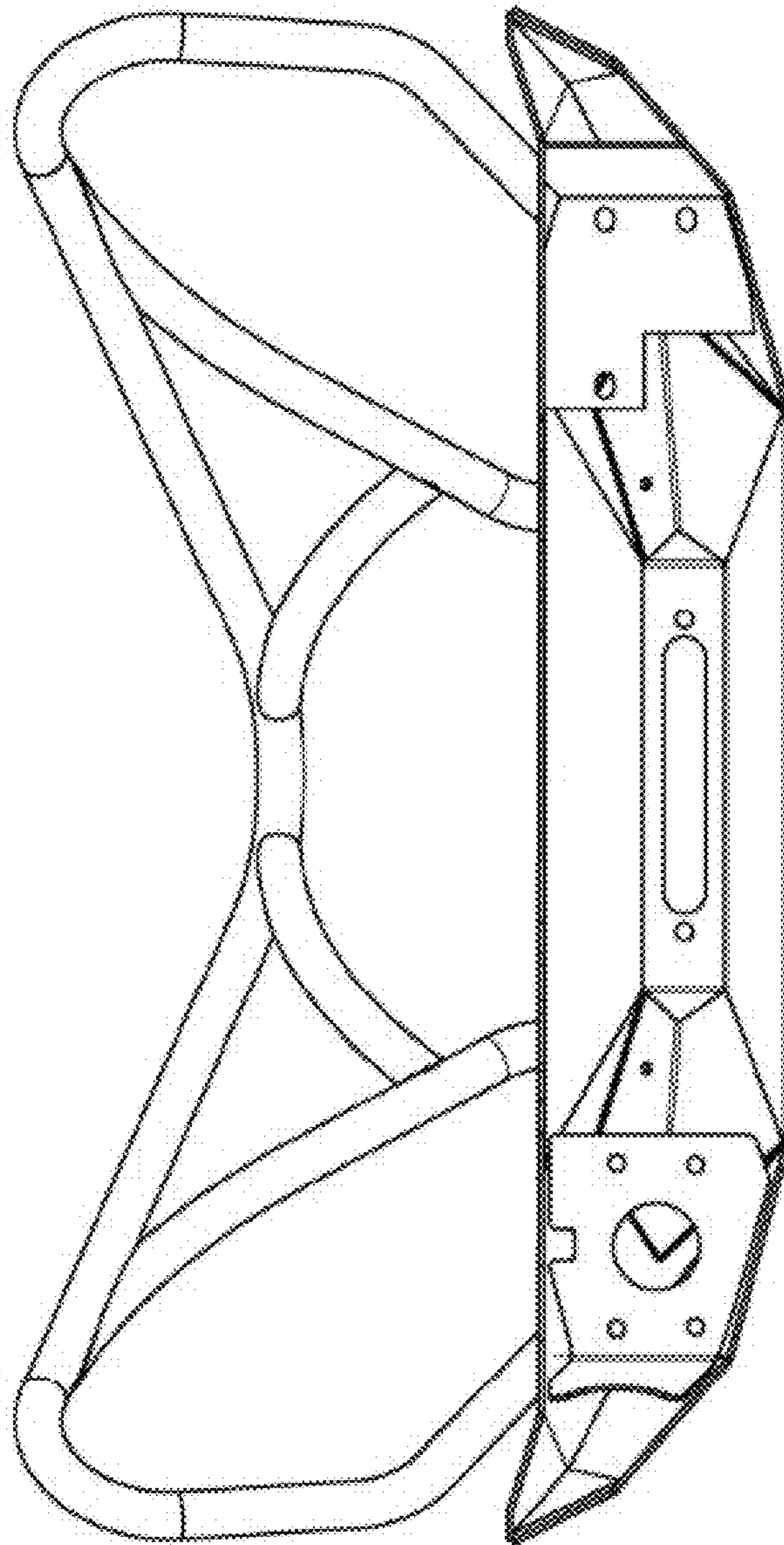


FIG 3

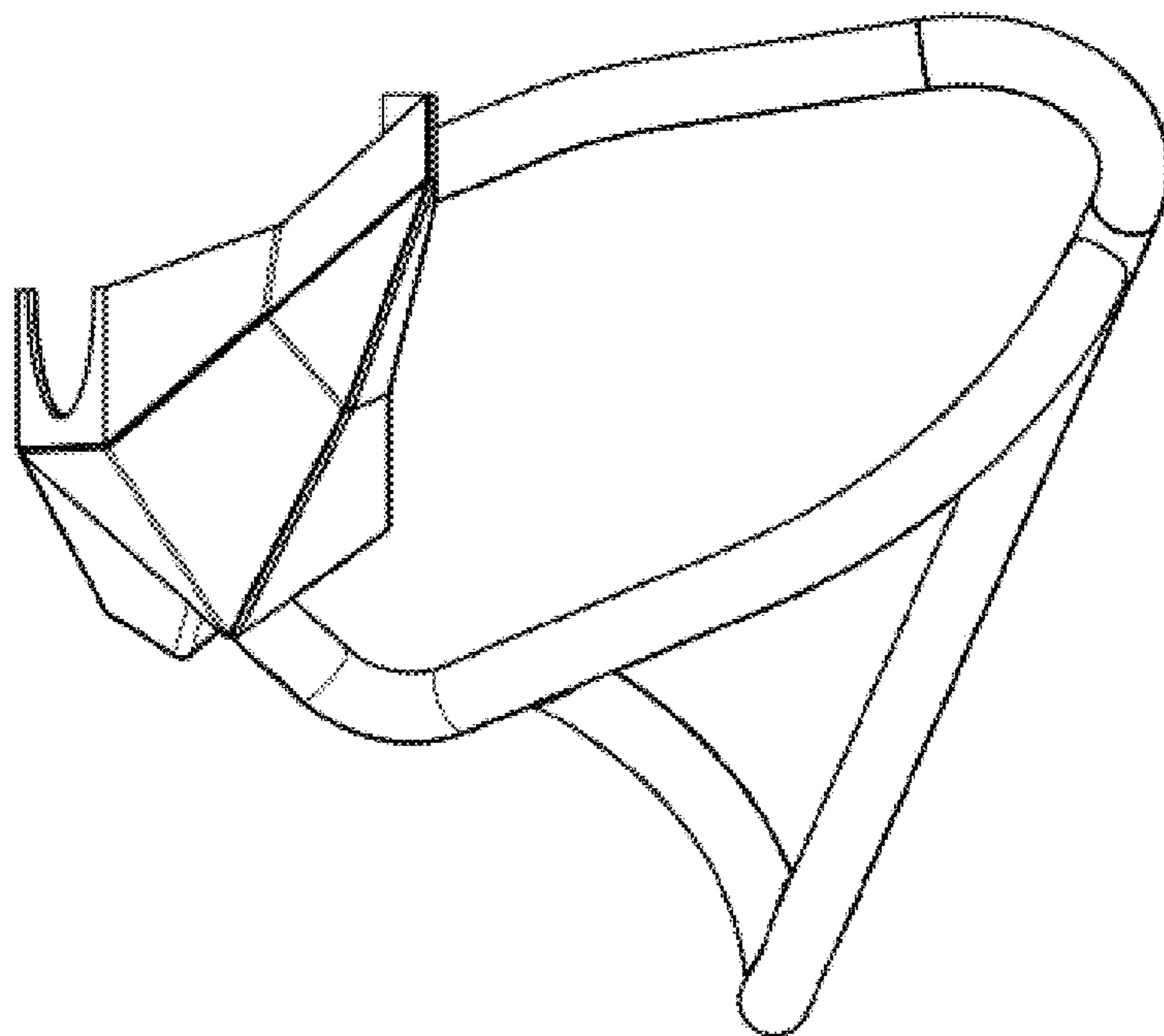


FIG 4

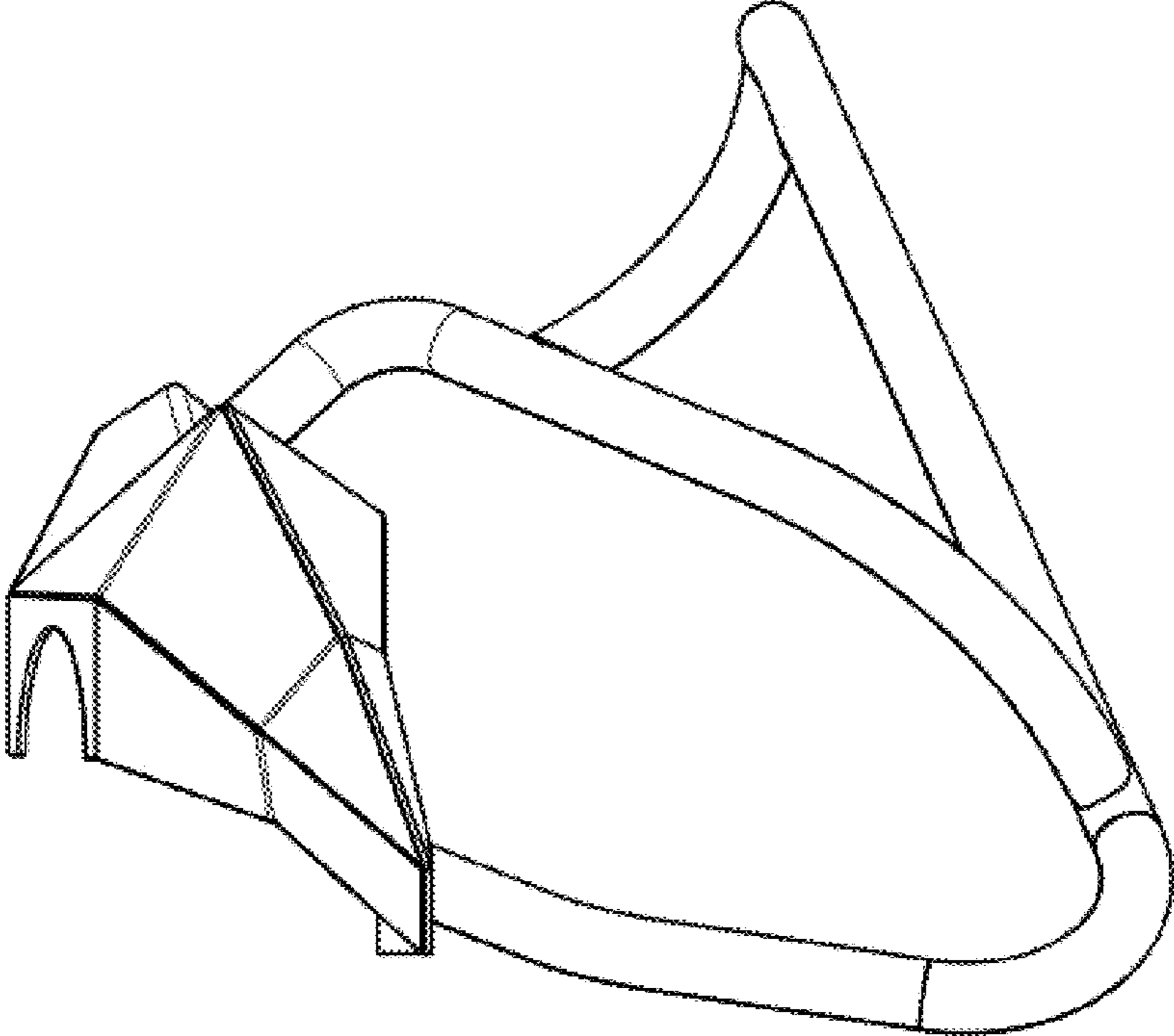


FIG 5

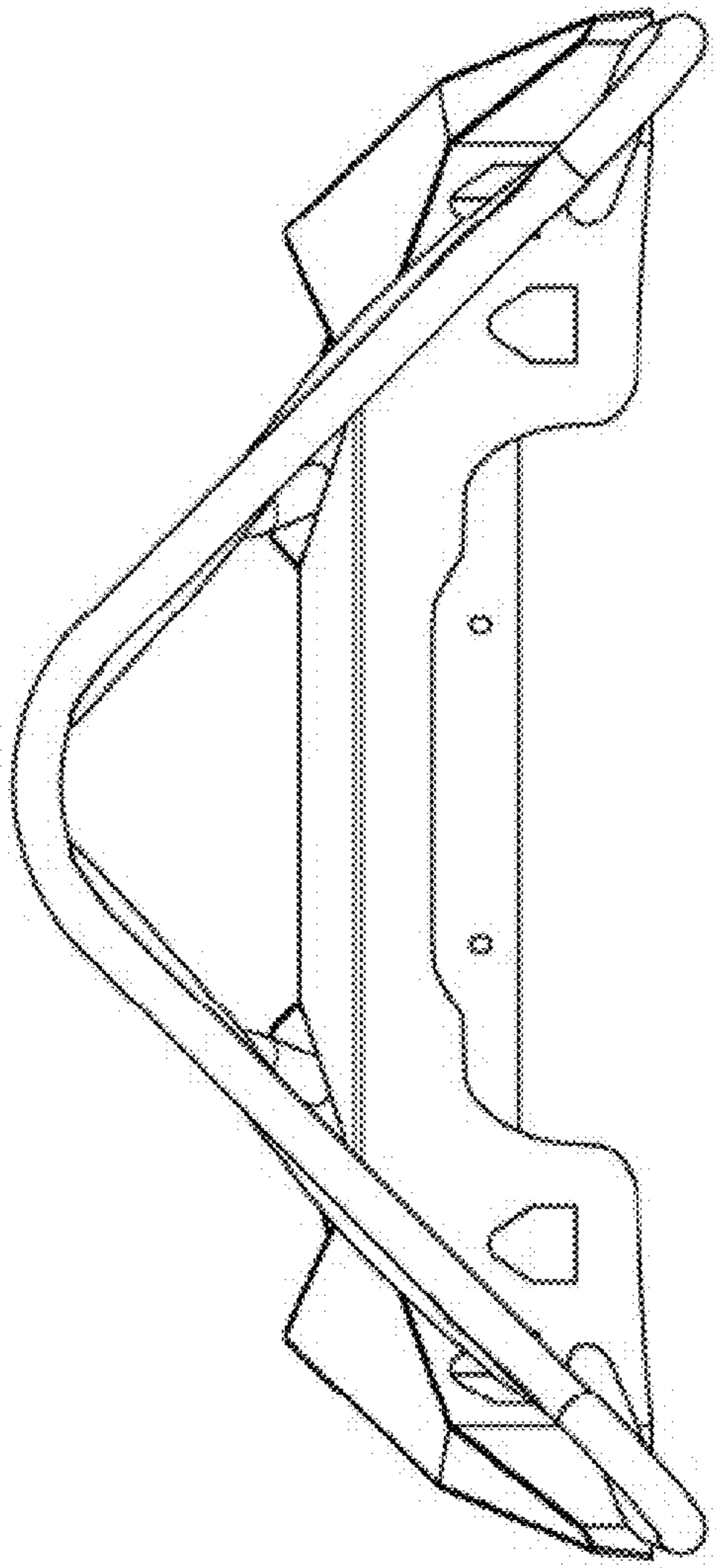


FIG 6

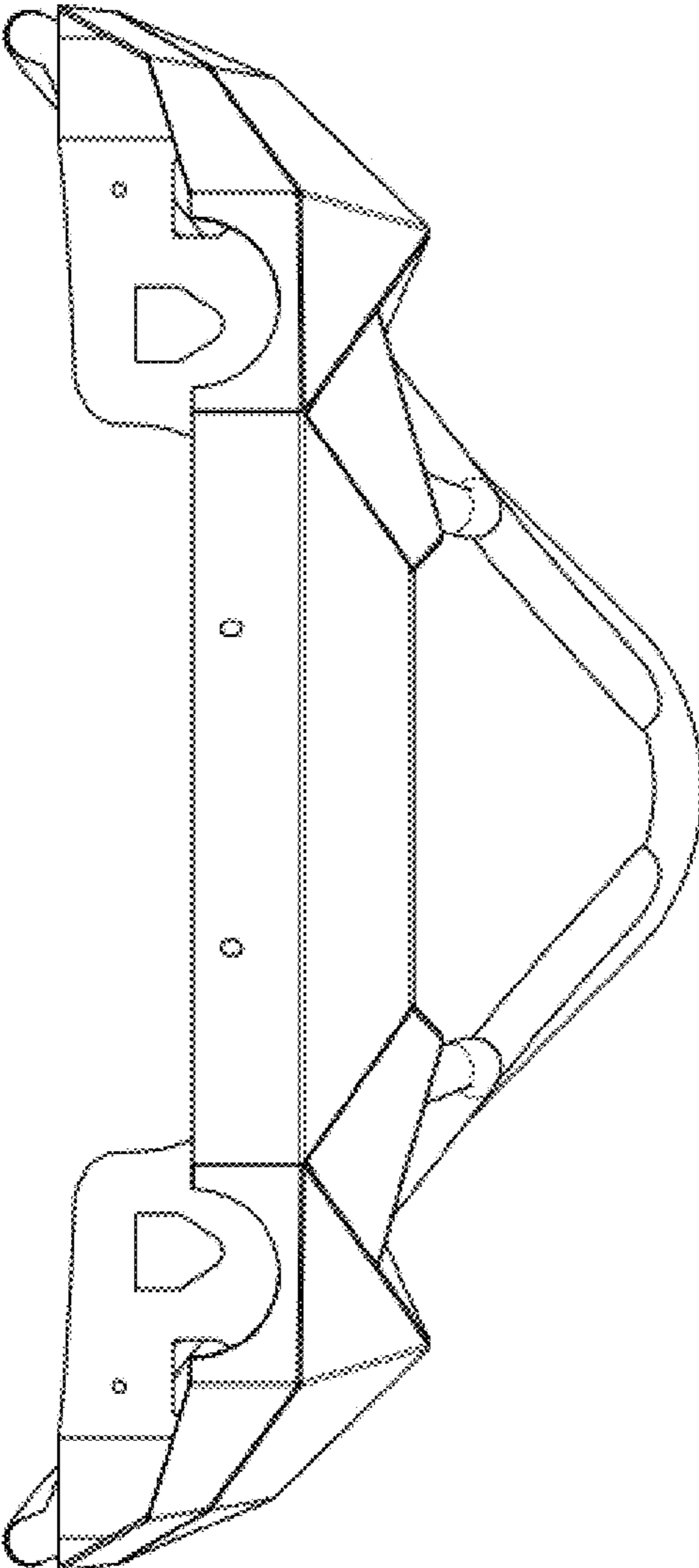


FIG 7

