



US00D786741S

(12) **United States Design Patent** (10) **Patent No.:** **US D786,741 S**  
**Bussinger** (45) **Date of Patent:** **\*\* May 16, 2017**

(54) **LATERAL STABILITY WHEEL**  
(71) Applicant: **Allen Bussinger**, Saginaw, MI (US)  
(72) Inventor: **Allen Bussinger**, Saginaw, MI (US)  
(73) Assignee: **Amigo Mobility International, Inc.**,  
Bridgeport, MI (US)

3,061,031 A 10/1962 Packard  
3,078,946 A 2/1963 Young  
3,095,099 A 6/1963 Costello  
3,100,547 A 8/1963 Rosenthal  
3,108,481 A 10/1963 Westmont  
3,117,653 A 1/1964 Altherr  
3,184,258 A 5/1965 Kapusta  
3,198,923 A 8/1965 Tripp

(Continued)

(\*\*) Term: **15 Years**

**FOREIGN PATENT DOCUMENTS**

(21) Appl. No.: **29/545,846**

CA 1260842 9/1989  
DE 93244 7/1897

(Continued)

(22) Filed: **Nov. 16, 2015**

(51) **LOC (10) Cl.** ..... **12-12**

(52) **U.S. Cl.**  
USPC ..... **D12/133**

(58) **Field of Classification Search**  
USPC ..... D12/128-133  
CPC ..... A61G 5/00-5/14  
See application file for complete search history.

**OTHER PUBLICATIONS**

Amigo Brochure a Revolutionary Concept in Wheelchair Design 5 pages.

(Continued)

*Primary Examiner* — Charles Hanson

(56) **References Cited**

(57) **CLAIM**

**U.S. PATENT DOCUMENTS**

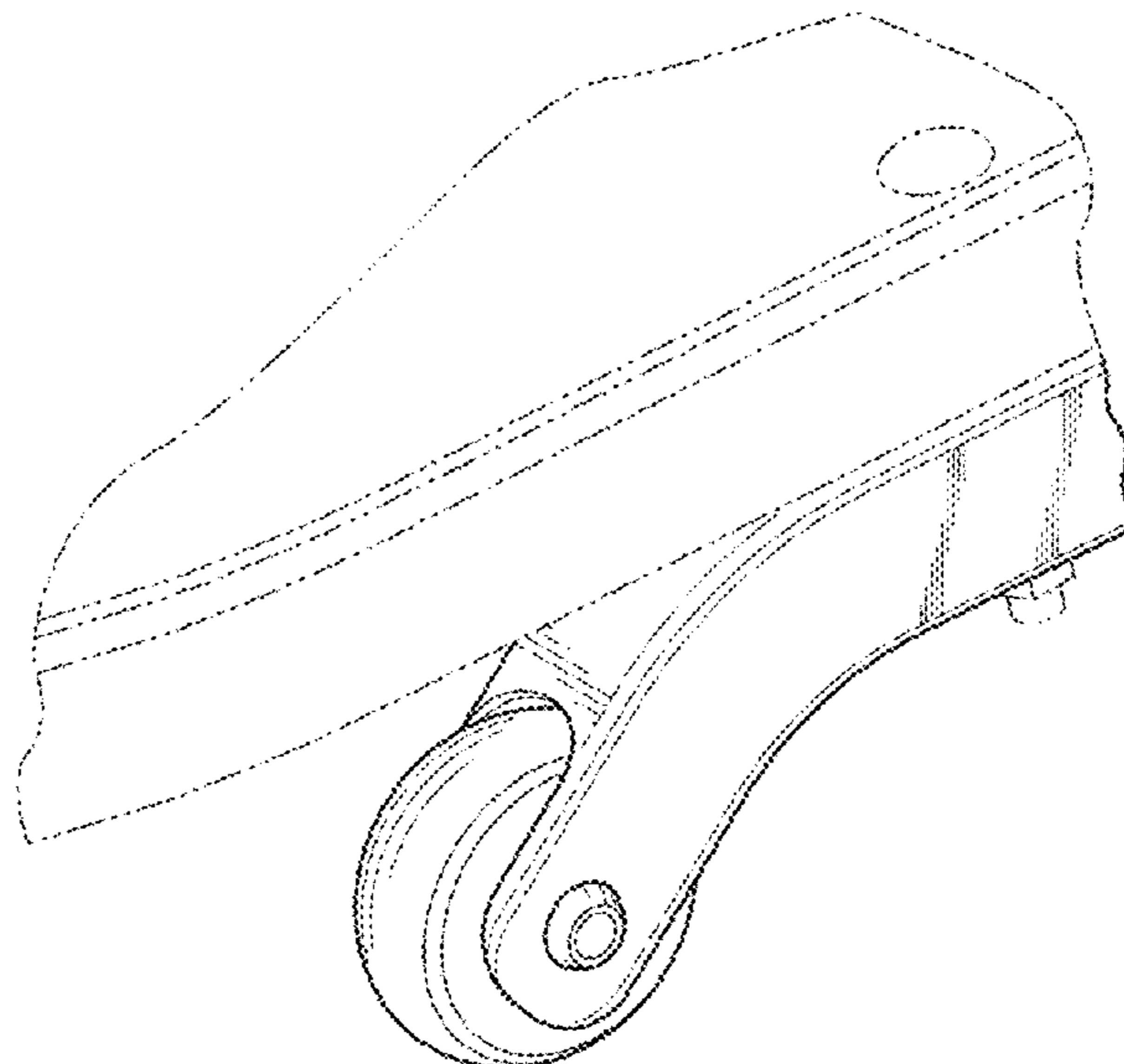
The ornamental design for a lateral stability wheel, as shown and described.

- 678,122 A 7/1901 Maxham et al.
- 1,492,487 A 4/1924 Stokes
- 1,565,719 A 12/1925 Dunkley
- 2,448,992 A 9/1948 Love et al.
- 2,461,401 A 2/1949 Trombley
- 2,468,801 A 5/1949 Beall
- 2,495,573 A 1/1950 Duke
- 2,649,309 A 6/1951 Deissner
- 2,629,611 A 2/1953 Covington
- 2,635,703 A 4/1953 Goeller
- 2,639,785 A 5/1953 Vickers
- 2,710,659 A 6/1955 Moederle
- 2,782,076 A 2/1957 Miller
- 2,782,870 A 2/1957 Sill
- 2,919,756 A 1/1960 Knipe
- 2,947,425 A 8/1960 Nichols
- 2,978,053 A 4/1961 Schmidt
- 2,993,550 A 7/1961 Klappert

**DESCRIPTION**

FIG. 1 is a perspective view of a lateral stability wheel mounted on a three wheel powered cart;  
FIG. 2 is an enlarged perspective view of the lateral stability wheel;  
FIG. 3 is an enlarged side elevational view of the lateral stability wheel; and,  
FIG. 4 is a rear elevational view of the lateral stability wheel. The broken line showing of the three wheel powered cart is included for the purpose of illustrating environment and forms no part of the claimed design.

**1 Claim, 3 Drawing Sheets**



(56)

References Cited

U.S. PATENT DOCUMENTS

3,249,171 A 5/1966 Kinghom  
 3,251,630 A 5/1966 Astley  
 3,369,629 A 2/1968 Weiss  
 3,387,681 A 6/1968 Rabjohn  
 3,388,761 A 6/1968 Arpin  
 3,412,820 A 11/1968 Wachholz  
 D220,835 S 6/1971 Thieme  
 3,605,929 A 9/1971 Rolland  
 3,656,637 A 4/1972 Lynn et al.  
 3,794,132 A 2/1974 Moon  
 3,883,126 A 5/1975 Nicholls  
 3,889,773 A 6/1975 Chant  
 3,905,437 A 9/1975 Kaiho et al.  
 3,910,432 A 10/1975 Browne et al.  
 3,912,032 A 10/1975 Benz  
 3,921,744 A 11/1975 Benoit et al.  
 3,930,551 A 1/1976 Cragg  
 3,939,931 A 2/1976 Benz  
 3,957,164 A 5/1976 Brown  
 3,979,137 A 9/1976 Lipscomb, Jr. et al.  
 3,982,648 A 9/1976 Luedtke et al.  
 D241,929 S 10/1976 Cospers  
 4,010,499 A 3/1977 Davis et al.  
 4,019,602 A 4/1977 Habiger  
 4,039,093 A 8/1977 Schmitz et al.  
 4,073,345 A 2/1978 Miller  
 4,091,488 A 5/1978 Artzberger  
 4,127,200 A 11/1978 Mann  
 4,147,373 A 4/1979 Cully  
 4,162,711 A 7/1979 Cornelius  
 4,204,588 A 5/1980 Kawecki  
 4,245,947 A 1/1981 Clement  
 4,265,147 A 5/1981 Fox  
 4,281,958 A 8/1981 Molski  
 4,284,286 A 8/1981 Lewallen  
 4,320,818 A 3/1982 Knoche  
 4,350,227 A 9/1982 Knoche  
 D266,499 S 10/1982 Twitchell et al.  
 4,391,379 A 7/1983 Paffrath  
 D269,960 S 8/1983 Cospers  
 4,398,858 A 8/1983 Paffrath  
 4,403,673 A 9/1983 Ball  
 4,452,327 A 6/1984 Mowat  
 D276,904 S 12/1984 Shepard  
 4,503,925 A 3/1985 Palmer et al.  
 4,504,094 A 3/1985 Burrows  
 4,512,613 A 4/1985 Nassiri  
 4,522,420 A 6/1985 Hannappel  
 4,570,739 A 2/1986 Kramer  
 D283,211 S 4/1986 Palmer et al.  
 4,595,214 A 6/1986 Downing  
 D285,187 S 8/1986 Piziks et al.  
 D285,671 S 9/1986 Thieme et al.  
 4,623,163 A 11/1986 Potts  
 4,633,962 A 1/1987 Cox et al.  
 4,666,008 A 5/1987 Shepard  
 4,729,447 A 3/1988 Morse  
 4,750,578 A 6/1988 Brandenfels  
 4,752,539 A 6/1988 Vatter  
 4,756,978 A 7/1988 Nitcher et al.  
 4,772,037 A 9/1988 Jones  
 4,798,255 A 1/1989 Wu  
 4,846,295 A 7/1989 Shepard et al.  
 D303,101 S 8/1989 Shepard et al.  
 4,886,294 A 12/1989 Nahachewski  
 4,887,685 A 12/1989 Shepard et al.  
 4,892,166 A 1/1990 Gaffney  
 4,944,359 A 7/1990 Doman et al.  
 4,947,955 A 8/1990 Hopely, Jr.  
 4,953,645 A 9/1990 Korber et al.  
 5,020,624 A 6/1991 Nesterick et al.  
 5,071,150 A 12/1991 Conrad  
 5,074,372 A 12/1991 Schepis

5,090,513 A 2/1992 Bussinger  
 5,090,517 A 2/1992 Doughty  
 5,121,806 A 6/1992 Johnson  
 5,154,251 A 10/1992 Fought  
 5,161,630 A 11/1992 Garin, III et al.  
 5,181,733 A 1/1993 Tague  
 5,207,439 A 5/1993 Mortenson  
 5,238,082 A 8/1993 Stegeman et al.  
 5,294,141 A \* 3/1994 Mentessi ..... A61G 5/00  
 188/2 F  
 5,316,328 A 5/1994 Bussinger  
 5,322,140 A 6/1994 Bussinger  
 5,333,702 A 8/1994 Gaffney et al.  
 5,388,659 A 2/1995 Pepe  
 5,394,968 A 3/1995 Yu-Shu  
 5,452,775 A 9/1995 Bussinger  
 5,497,844 A 3/1996 Fritzing  
 5,695,021 A 12/1997 Schaffner et al.  
 5,714,815 A 2/1998 Fritzing et al.  
 6,056,077 A 5/2000 Kobayashi  
 6,170,592 B1 1/2001 Wu  
 6,176,337 B1 1/2001 McConnell et al.  
 6,273,206 B1 8/2001 Bussinger  
 D462,639 S \* 9/2002 Lin ..... D12/131  
 6,523,661 B1 2/2003 Bussinger  
 D474,719 S \* 5/2003 Mayer et al. .... D12/131  
 6,834,734 B2 12/2004 Wu  
 7,023,177 B1 4/2006 Bussinger  
 D531,094 S \* 10/2006 Flowers et al. .... D12/131  
 7,451,848 B2 11/2008 Flowers et al.  
 7,841,436 B2 11/2010 Bussinger  
 7,926,606 B2 4/2011 Wang  
 D653,176 S \* 1/2012 Jurkiewicz et al. .... D12/131  
 8,776,932 B1 7/2014 Bussinger et al.  
 D745,441 S \* 12/2015 Ohruh ..... D12/131  
 D769,775 S \* 10/2016 Sugie ..... D12/131  
 2004/0256164 A1 12/2004 Huang  
 2009/0020350 A1 \* 1/2009 Wu ..... B62K 15/008  
 180/208  
 2010/0084831 A1 \* 4/2010 Wang ..... A61G 5/04  
 280/39  
 2010/0193278 A1 \* 8/2010 Husted et al. .... B60K 1/00  
 180/291  
 2013/0062846 A1 3/2013 Hsiao  
 2013/0306383 A1 \* 11/2013 Mulhern et al. .... A61G 5/045  
 180/6.5

FOREIGN PATENT DOCUMENTS

DE 3133636 3/1983  
 EP 0204040 12/1986  
 EP 338689 10/1989  
 FR 1540324 8/1968  
 GB 757275 9/1956  
 GB 1149505 4/1966  
 GB 1087225 10/1967  
 GB 1383457 2/1975  
 GB 1401961 8/1975  
 GB 1427838 3/1976  
 GB 1569967 6/1980  
 IT 537091 12/1955  
 WO 9006097 6/1990

OTHER PUBLICATIONS

Health Aid Services, Inc. A-Bee Scoota pamphlet 2 pages.  
 E.F. Brewer Company Portascoot pamphlet 2 pages.  
 E.F. Brewer Company Portascoot The Alternative pamphlet 4 pages.  
 Voyager Inc. Voyager II (prior art) 5 pages.  
 Voyager Inc. Voyager IV (prior art) 4 pages.  
 Voyager Inc. Voyager VI (prior art) 4 pages.  
 New Equipment Digest, 6/73, p. 19, Compact Electric Cart, top of page.

\* cited by examiner

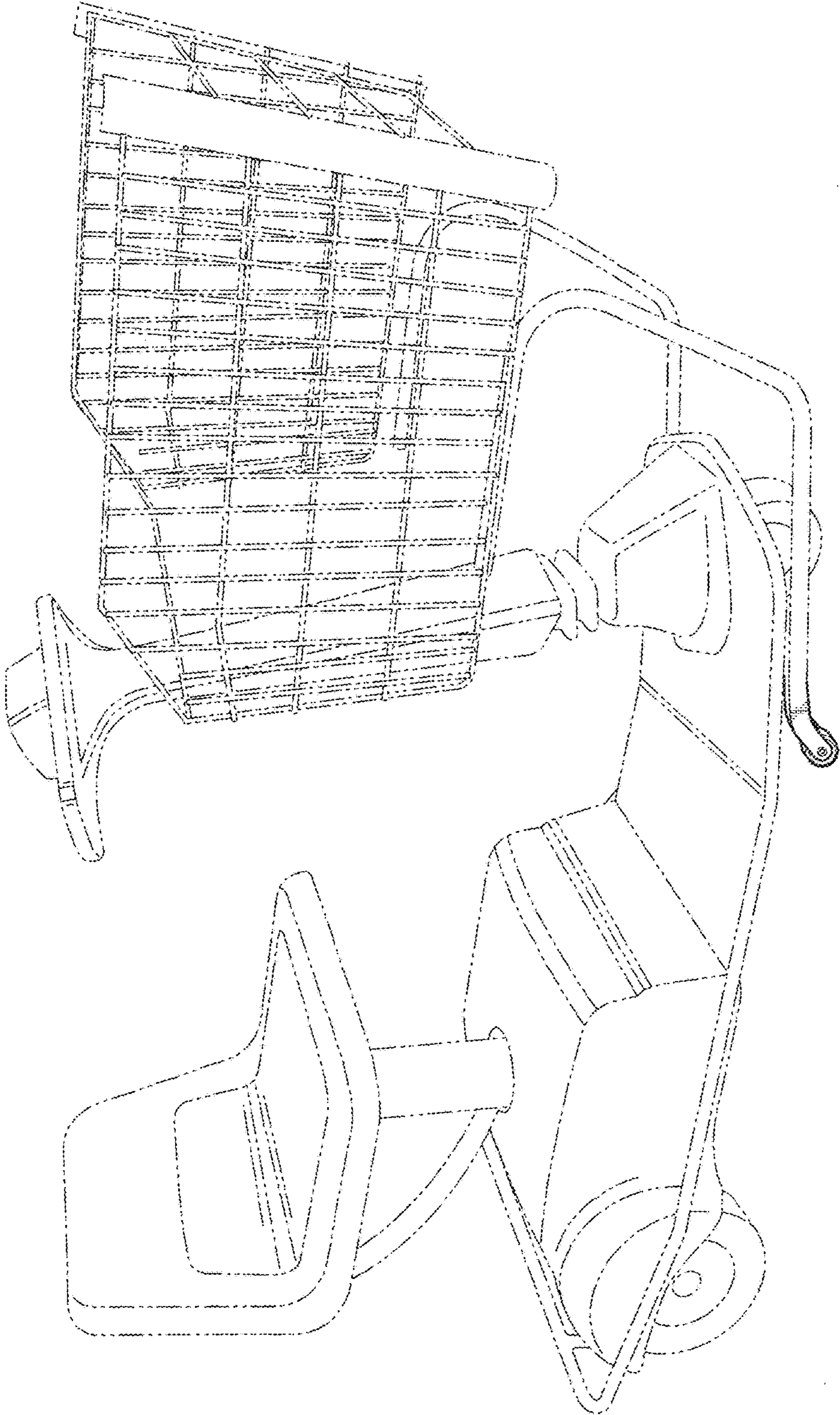


FIG. 1

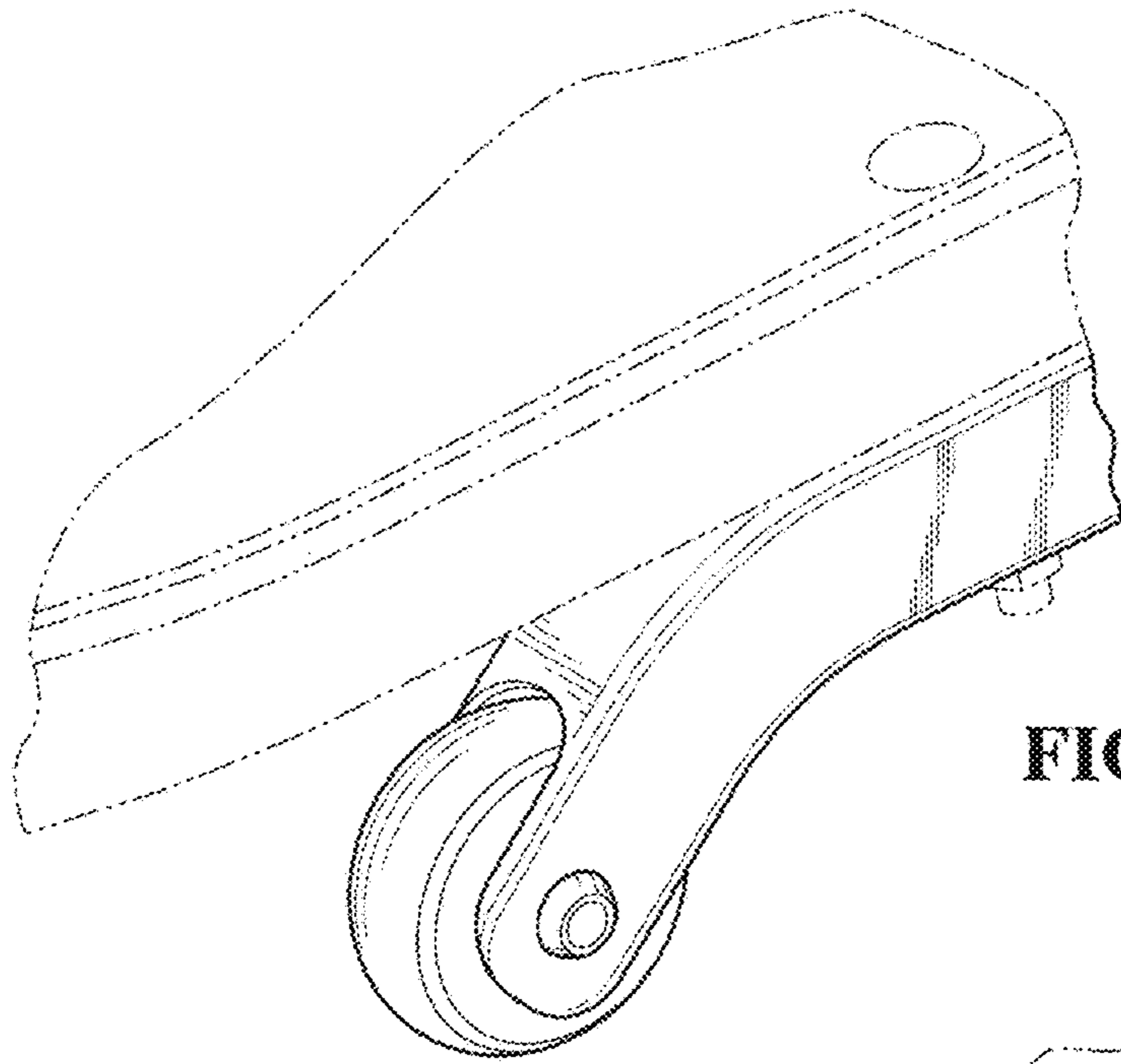


FIG. 2

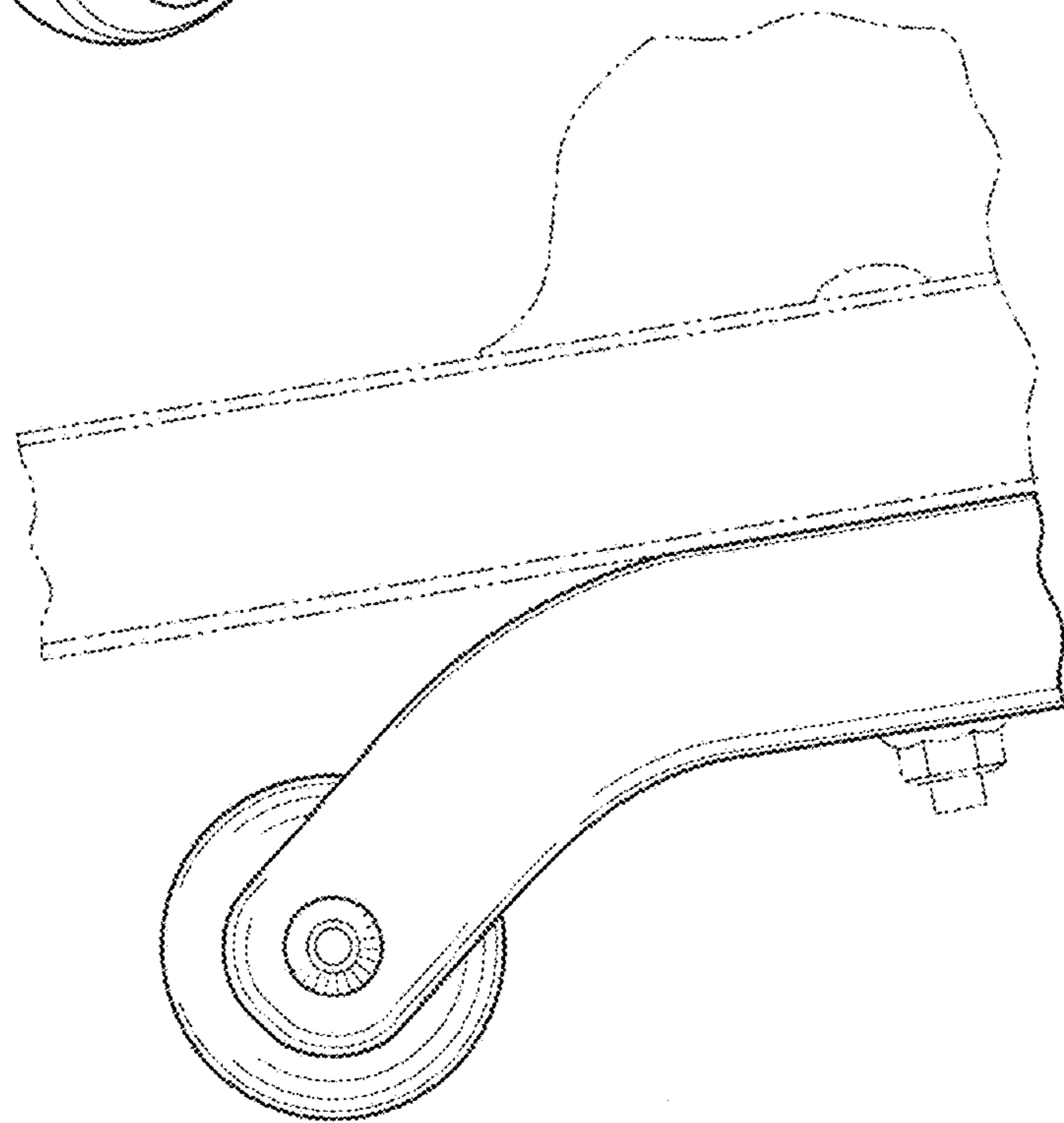


FIG. 3

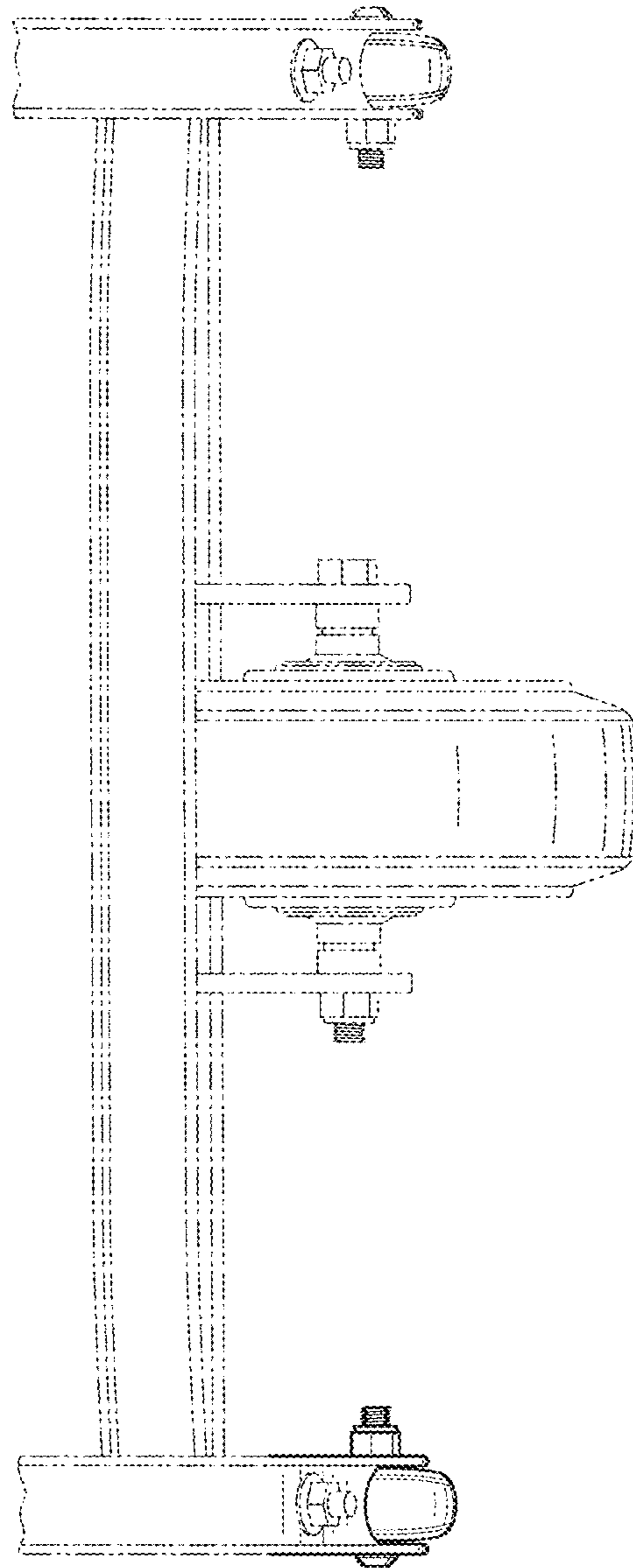


FIG. 4