



US00D786738S

(12) **United States Design Patent**  
**Bloch**

(10) **Patent No.:** **US D786,738 S**

(45) **Date of Patent:** **\*\* May 16, 2017**

- (54) **BICYCLE WARNING SIGN**
- (71) Applicant: **Janel Bloch**, Boca Raton, FL (US)
- (72) Inventor: **Janel Bloch**, Boca Raton, FL (US)
- (\*\*) Term: **15 Years**
- (21) Appl. No.: **29/553,937**
- (22) Filed: **Feb. 5, 2016**

**Related U.S. Application Data**

- (62) Division of application No. 29/493,464, filed on Jun. 10, 2014, now Pat. No. Des. 751,948.
- (51) **LOC (10) Cl.** ..... **12-11**
- (52) **U.S. Cl.**  
USPC ..... **D12/114**; D10/109.1
- (58) **Field of Classification Search**  
USPC ..... D12/114; D10/109.1, 109.2, 113.4;  
D11/165, 166; D20/10, 17, 19, 22-29,  
D20/40-42, 99; 248/287, 229, 475 B,  
248/475 R, 476, 472, 479, 485, 487, 496;  
403/53, 58, 78, 79  
CPC ..... B62J 1/28; B62J 6/00; B62J 6/20; B62J  
15/00  
See application file for complete search history.

(56) **References Cited**

**U.S. PATENT DOCUMENTS**

- 1,626,565 A \* 4/1927 Stanton ..... G09F 3/18  
40/1
- 3,586,348 A \* 6/1971 Rich, Jr. .... B62J 6/20  
116/28 R
- 3,722,841 A \* 3/1973 Ciolfi ..... B62J 11/00  
224/422
- 3,975,849 A \* 8/1976 Tuleja ..... B60Q 7/005  
116/63 T

- 4,243,241 A \* 1/1981 Davis ..... B62J 15/00  
280/158.1
- 4,321,883 A \* 3/1982 Rupp ..... B62J 6/20  
116/35 A
- 4,422,615 A \* 12/1983 McManus ..... B62J 6/20  
248/229.11
- 4,876,981 A \* 10/1989 Barnhart ..... G09F 17/00  
116/173
- D323,303 S \* 1/1992 Johansson ..... D10/111
- D332,232 S \* 1/1993 Johnson ..... D12/223
- D340,417 S \* 10/1993 Popp ..... D10/109.1
- D383,080 S \* 9/1997 Derrick ..... D10/113.4
- D397,632 S \* 9/1998 Evanyk ..... D10/113.4
- D487,406 S \* 3/2004 Anderson ..... D10/109.1
- D507,502 S \* 7/2005 Willnow ..... D10/113.4
- D564,595 S \* 3/2008 Barrett ..... D20/29
- D744,594 S \* 12/2015 Bigham ..... D20/10

\* cited by examiner

*Primary Examiner* — Darlington Ly

(74) *Attorney, Agent, or Firm* — Robert C. Kain, Jr.

(57) **CLAIM**

The ornamental design for a bicycle warning sign, as shown and described.

**DESCRIPTION**

FIG. 1 is a front elevational view of the bicycle warning sign.  
 FIG. 2 is a right-side view of the bicycle warning sign.  
 FIG. 3 is a left-side view of the bicycle warning sign.  
 FIG. 4 is a top view of the bicycle warning sign.  
 FIG. 5 is a bottom view of the bicycle warning sign; and,  
 FIG. 6 is a rear view of the bicycle warning sign.  
 The broken line showing the bicycle is for the purpose of illustrating an environmental structure and forms no part of the claimed design.

**1 Claim, 6 Drawing Sheets**

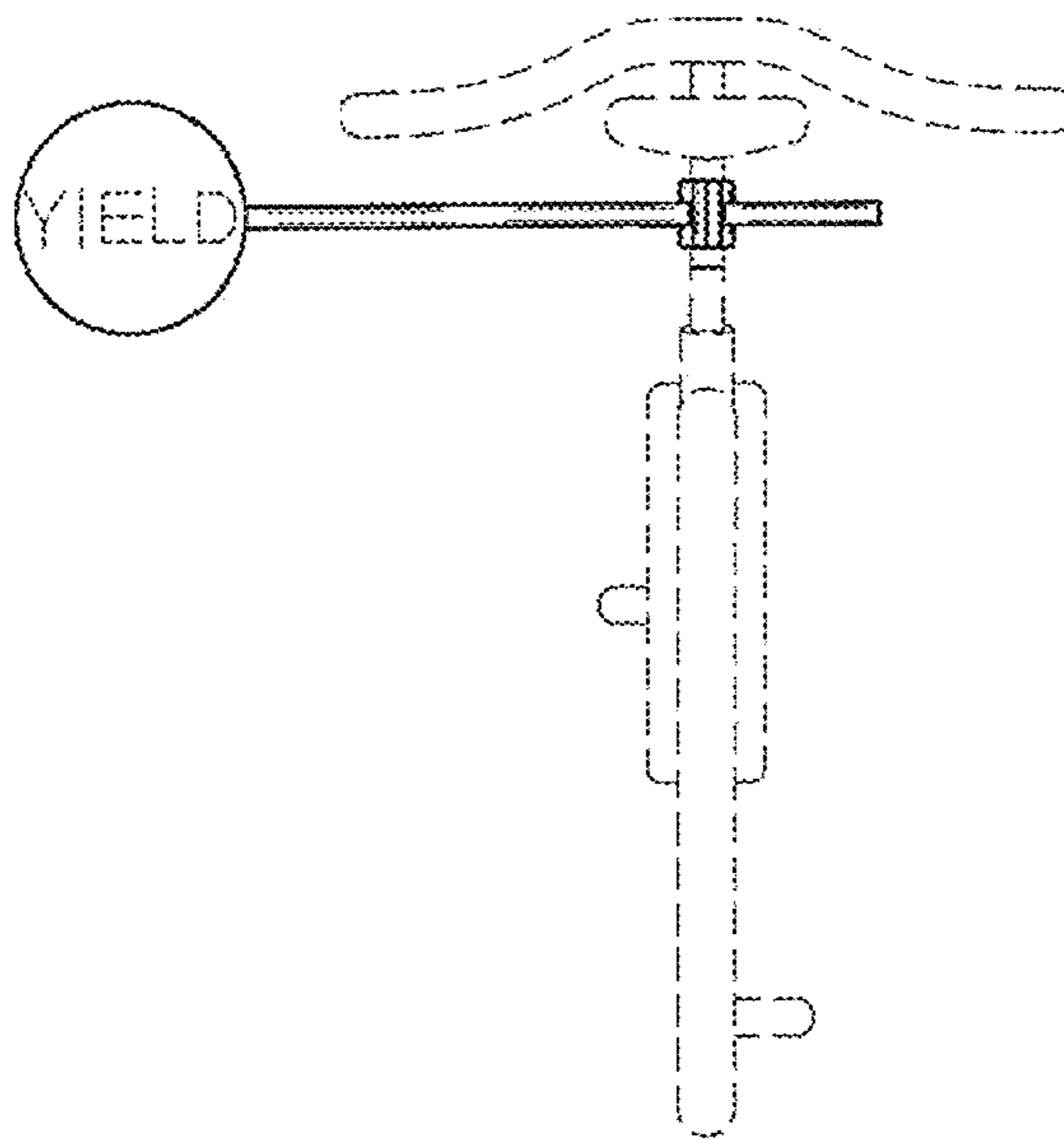


FIG.1

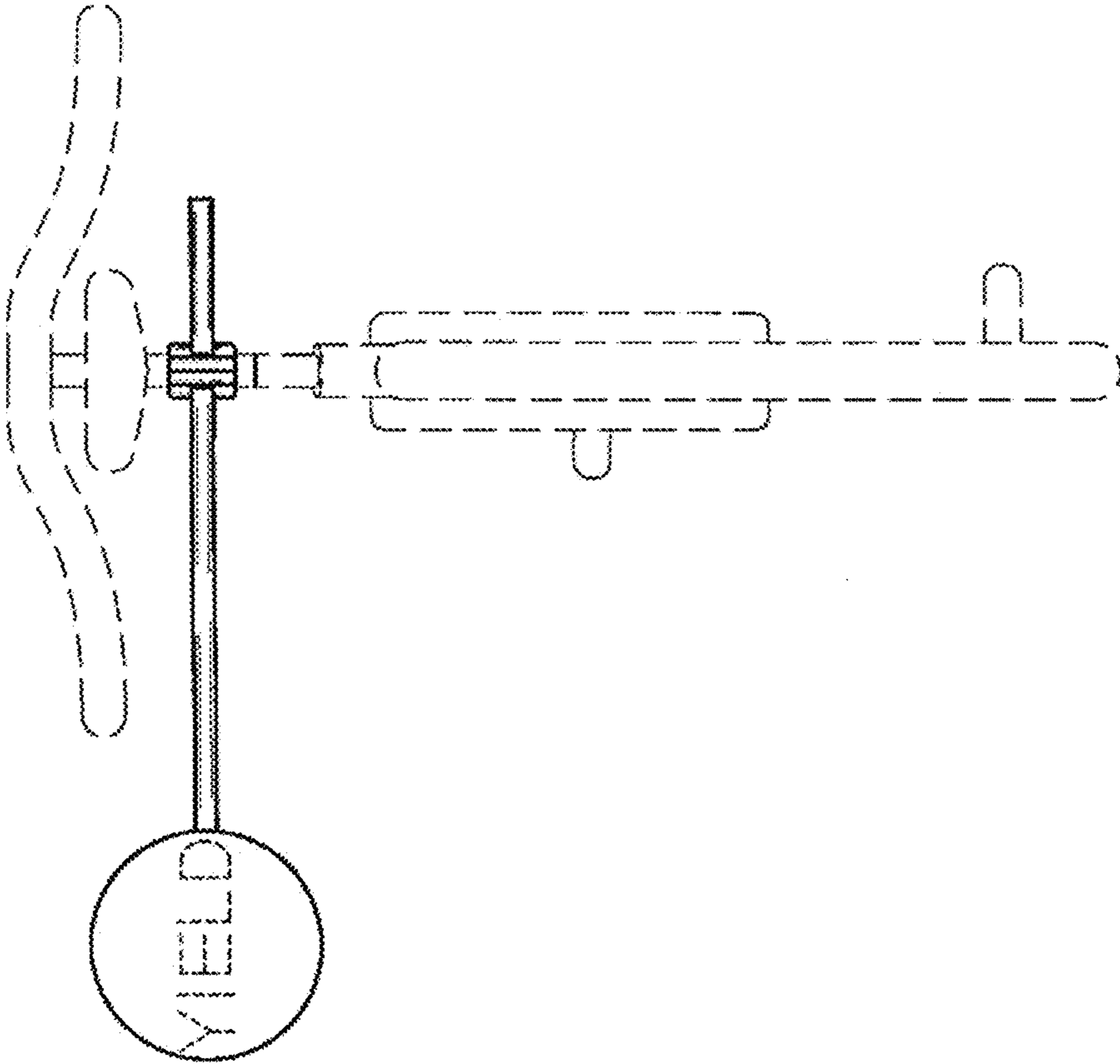


FIG.2

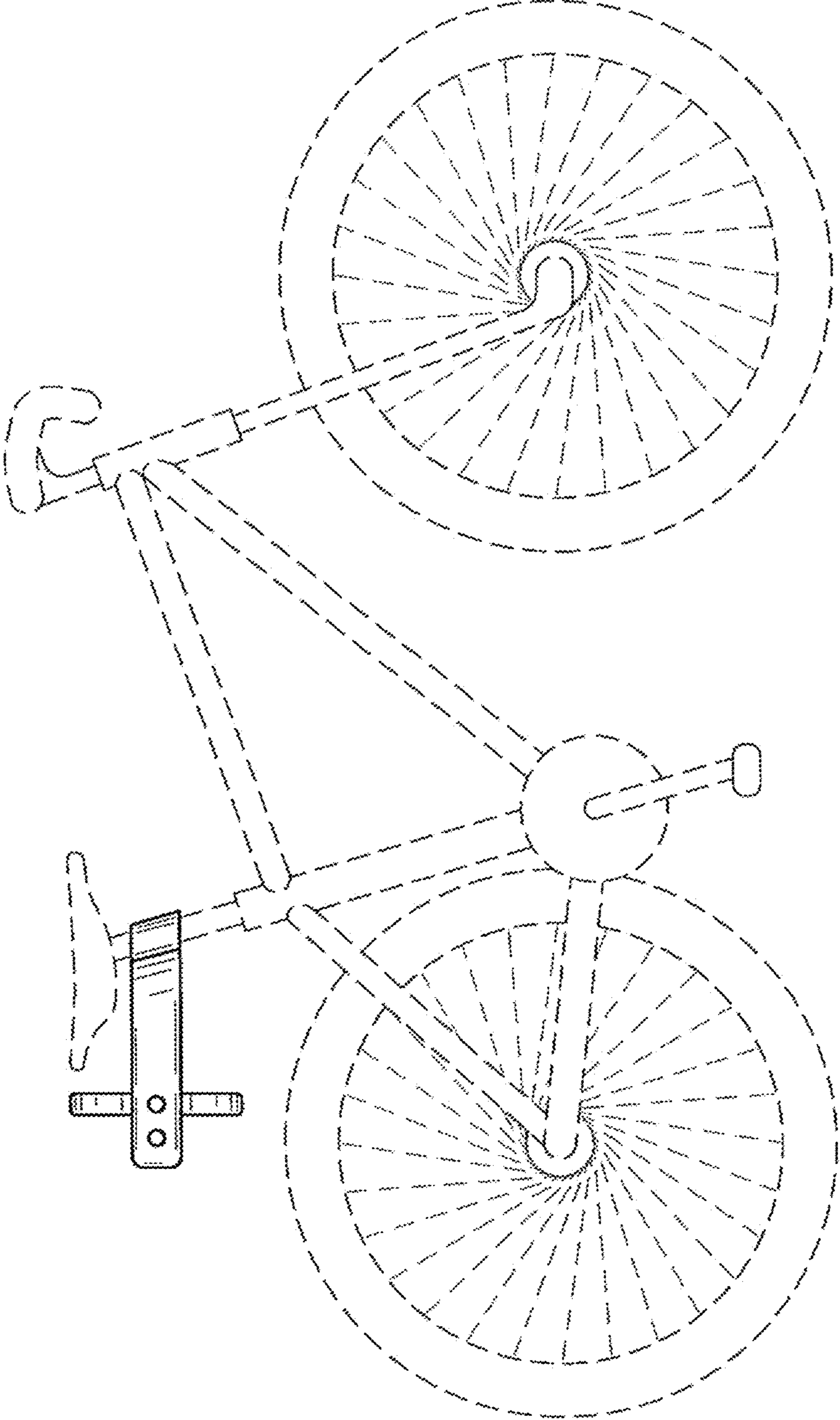


FIG. 3

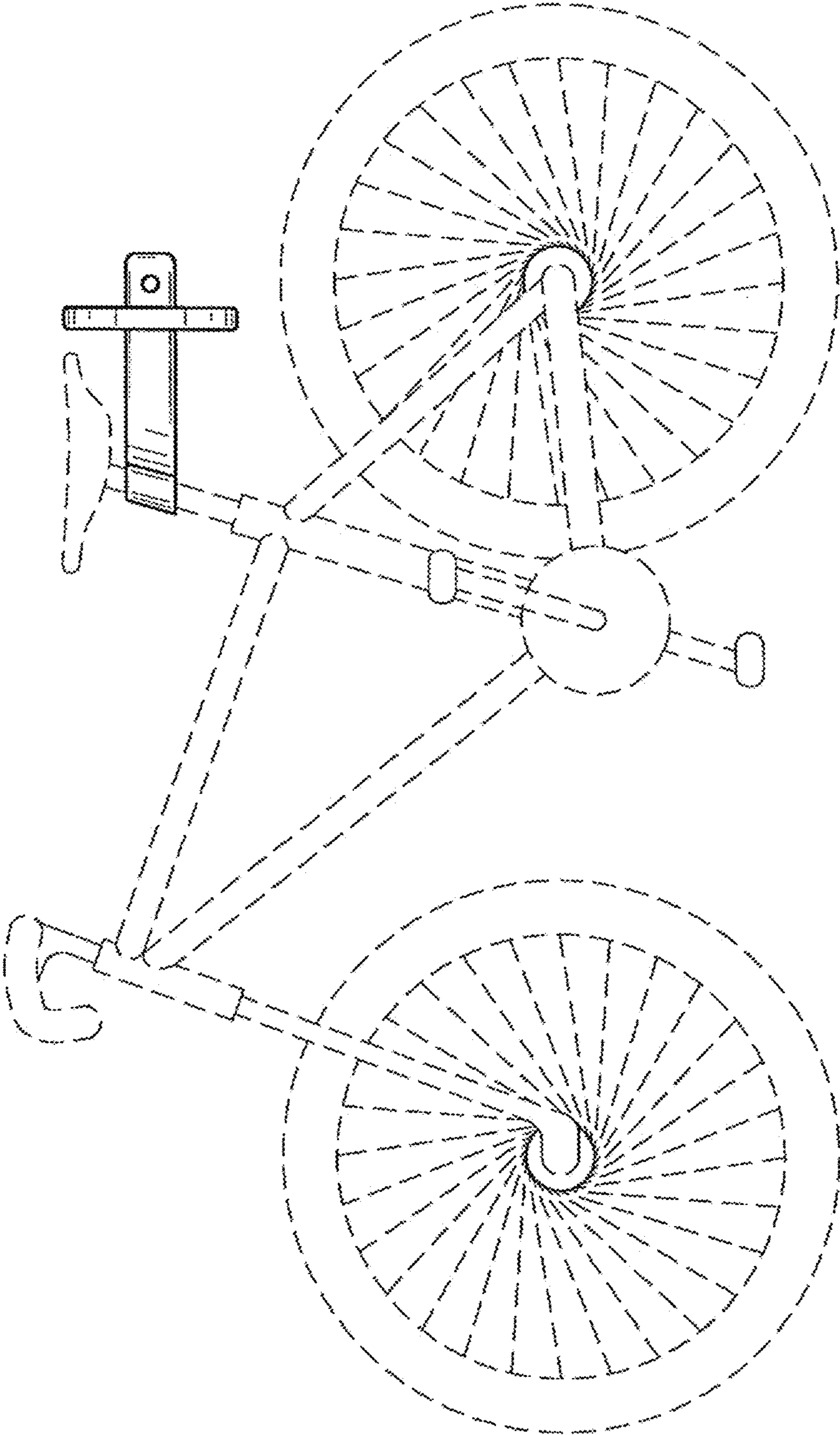


FIG.4

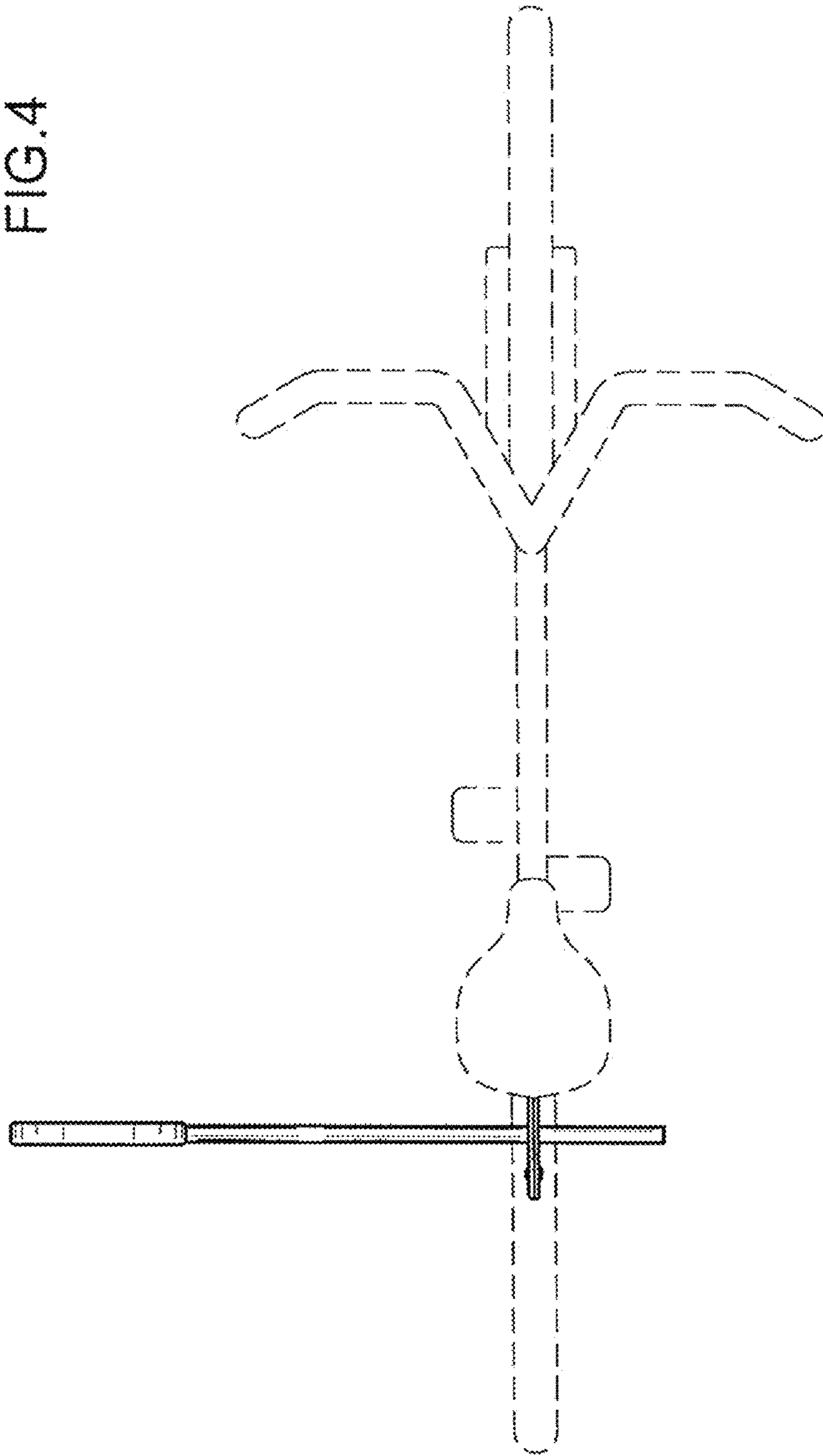


FIG. 5

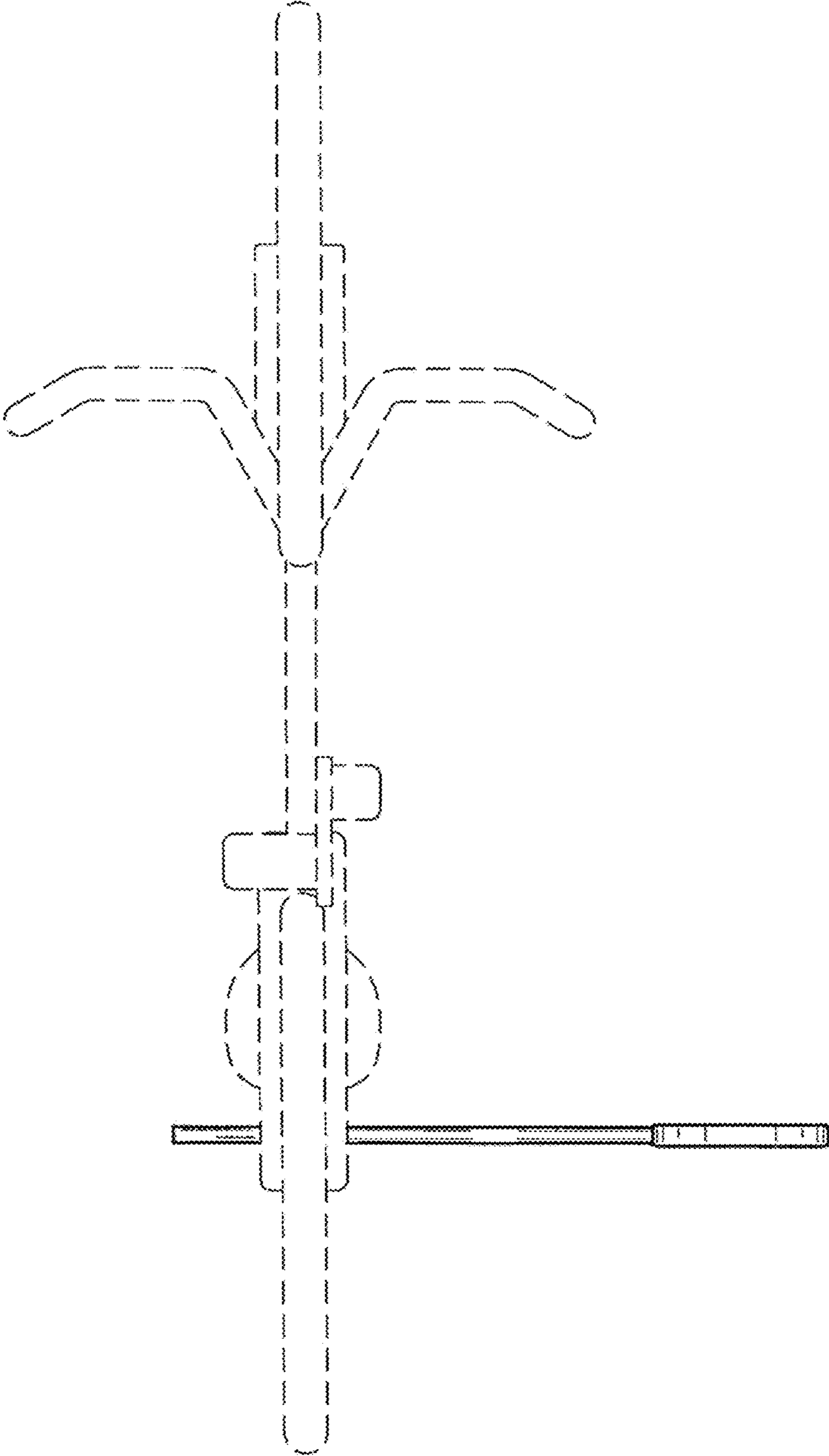


FIG.6

