



US00D786737S

(12) **United States Design Patent**
Kobayashi et al.

(10) **Patent No.:** **US D786,737 S**

(45) **Date of Patent:** **** May 16, 2017**

- (54) **MOTORCYCLE ENGINE UPPER STRUCTURE**
- (71) Applicant: **Kawasaki Jukogyo Kabushiki Kaisha, Hyogo (JP)**
- (72) Inventors: **Mitsuru Kobayashi, Kobe (JP); Takumi Uemoto, Kobe (JP)**
- (73) Assignee: **KAWASAKI JUKOGYO KABUSHIKI KAISHA (JP)**

- 6,315,072 B1 * 11/2001 Brown B62K 11/04 180/219
- 6,457,449 B1 * 10/2002 Troxler F01M 1/04 123/196 CP
- D488,104 S * 4/2004 Triebold D12/114
- 6,941,920 B1 * 9/2005 Thurm B62J 23/00 123/195 C
- 7,143,734 B1 * 12/2006 Leppanen F16D 7/044 123/192.1
- 7,568,463 B1 * 8/2009 Kuykendall B62K 11/04 123/193.5
- D661,155 S * 6/2012 Young D7/334

(**) Term: **14 Years**

(21) Appl. No.: **29/521,239**

(22) Filed: **Mar. 20, 2015**

(30) **Foreign Application Priority Data**

Sep. 25, 2014 (JP) 2014-021175

(51) **LOC (10) Cl.** **12-11**

(52) **U.S. Cl.**
USPC **D12/114**

(58) **Field of Classification Search**
USPC D12/114, 110; D15/1, 3
CPC B62K 11/04; B62K 25/283; B62J 23/00; F02M 35/162
See application file for complete search history.

(56) **References Cited**

U.S. PATENT DOCUMENTS

- D277,756 S * 2/1985 Davidson D15/1
- D294,264 S * 2/1988 Davidson D15/3
- D417,674 S * 12/1999 Feuling D15/1
- D434,047 S * 11/2000 Ballentine D12/114

* cited by examiner

Primary Examiner — George D Kirschbaum

Assistant Examiner — Clese Moore, Jr.

(57) **CLAIM**

The ornamental design for a motorcycle engine upper structure, as shown and described.

DESCRIPTION

FIG. 1 is a front elevational view of a motorcycle engine upper structure showing our new design; FIG. 2 is a rear elevational view thereof; FIG. 3 is a left side elevational view thereof; FIG. 4 is a right side elevational view thereof; FIG. 5 is a top plan view thereof; FIG. 6 is a front left perspective view thereof; and, FIG. 7 is a rear and right perspective view thereof. The motorcycle engine upper structure, which is shown as dark-gray-colored in the drawings forms the claimed design, while the light-grayed-out portions form no part of the claimed design.

1 Claim, 7 Drawing Sheets

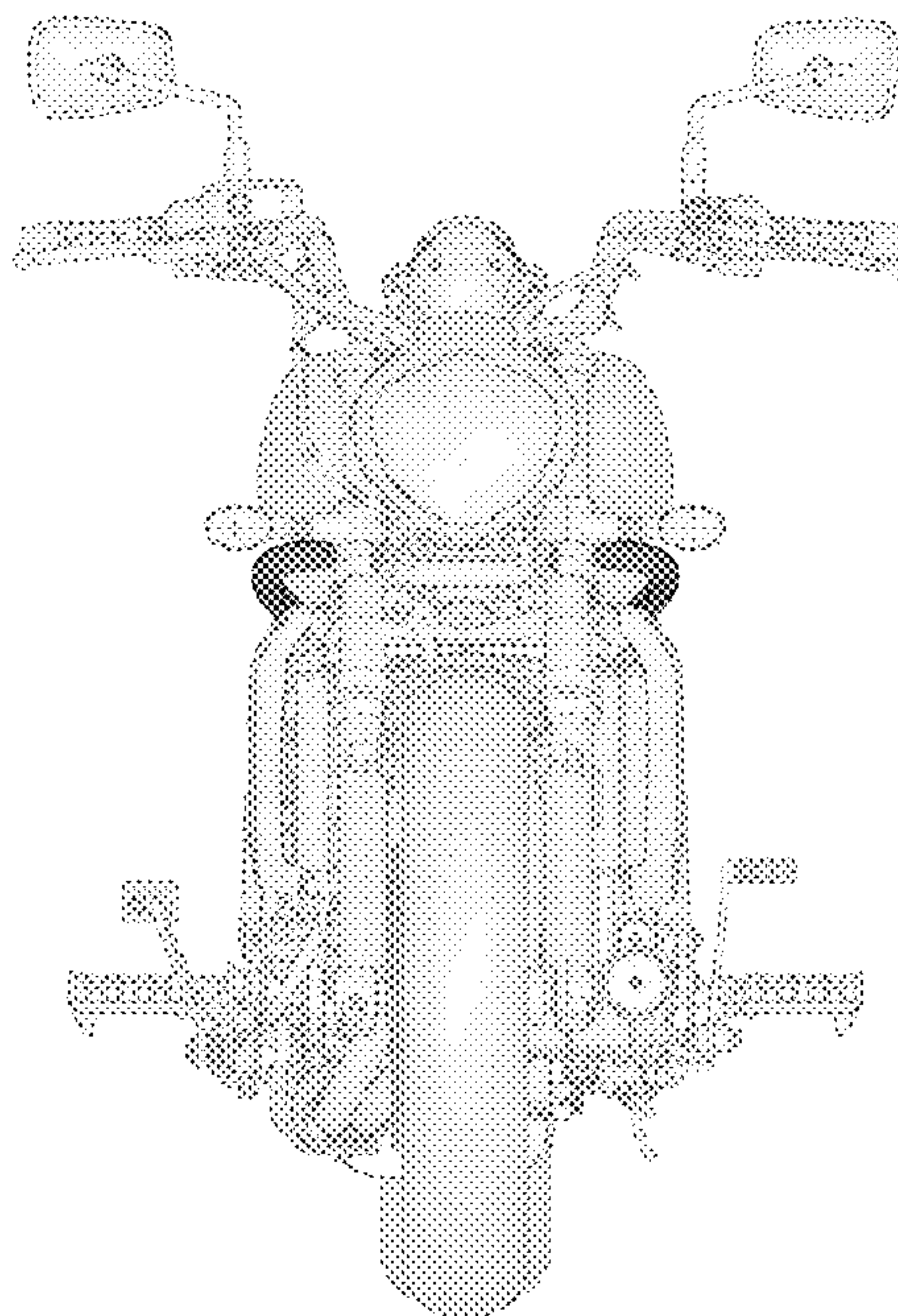


Fig. 1

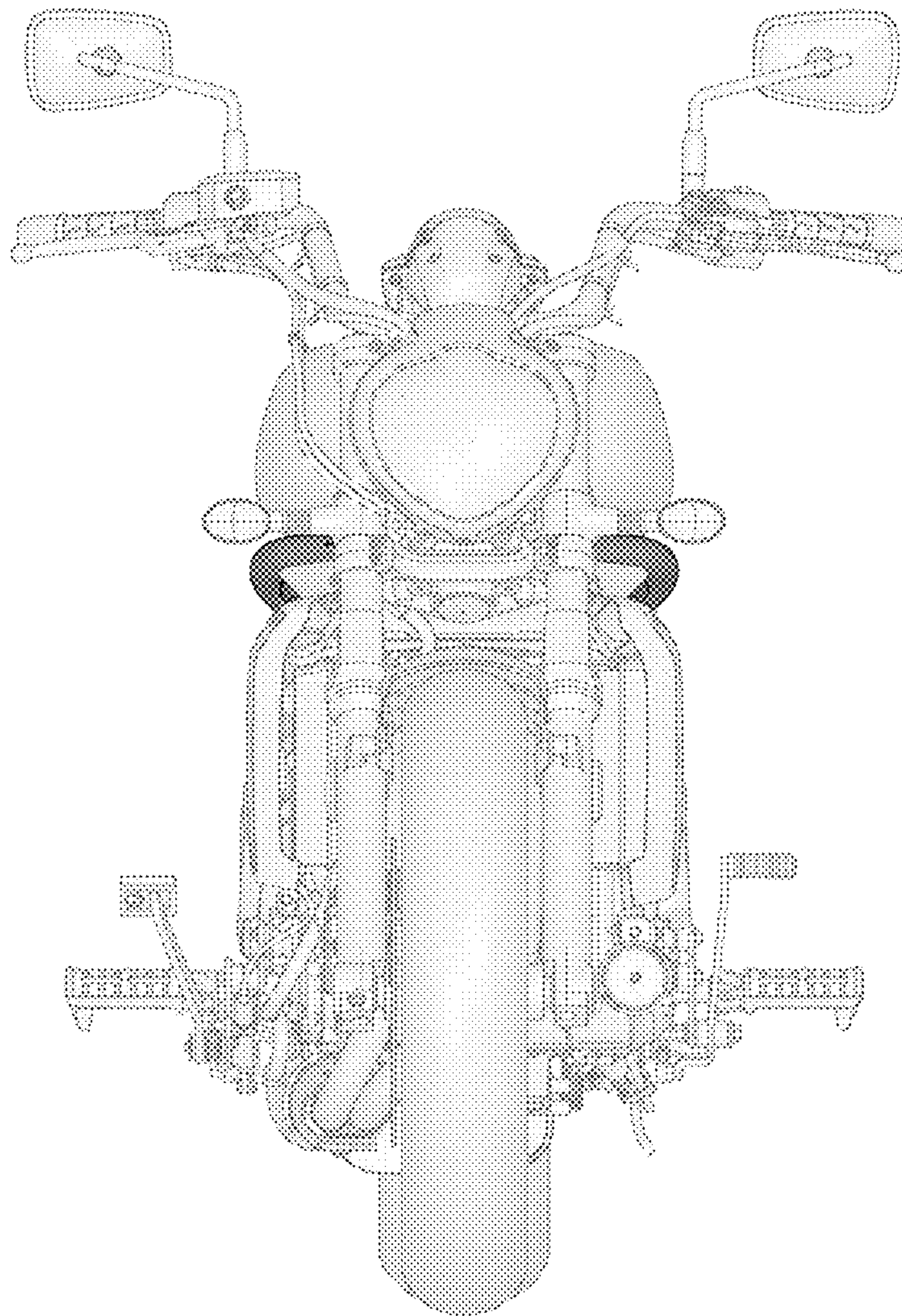
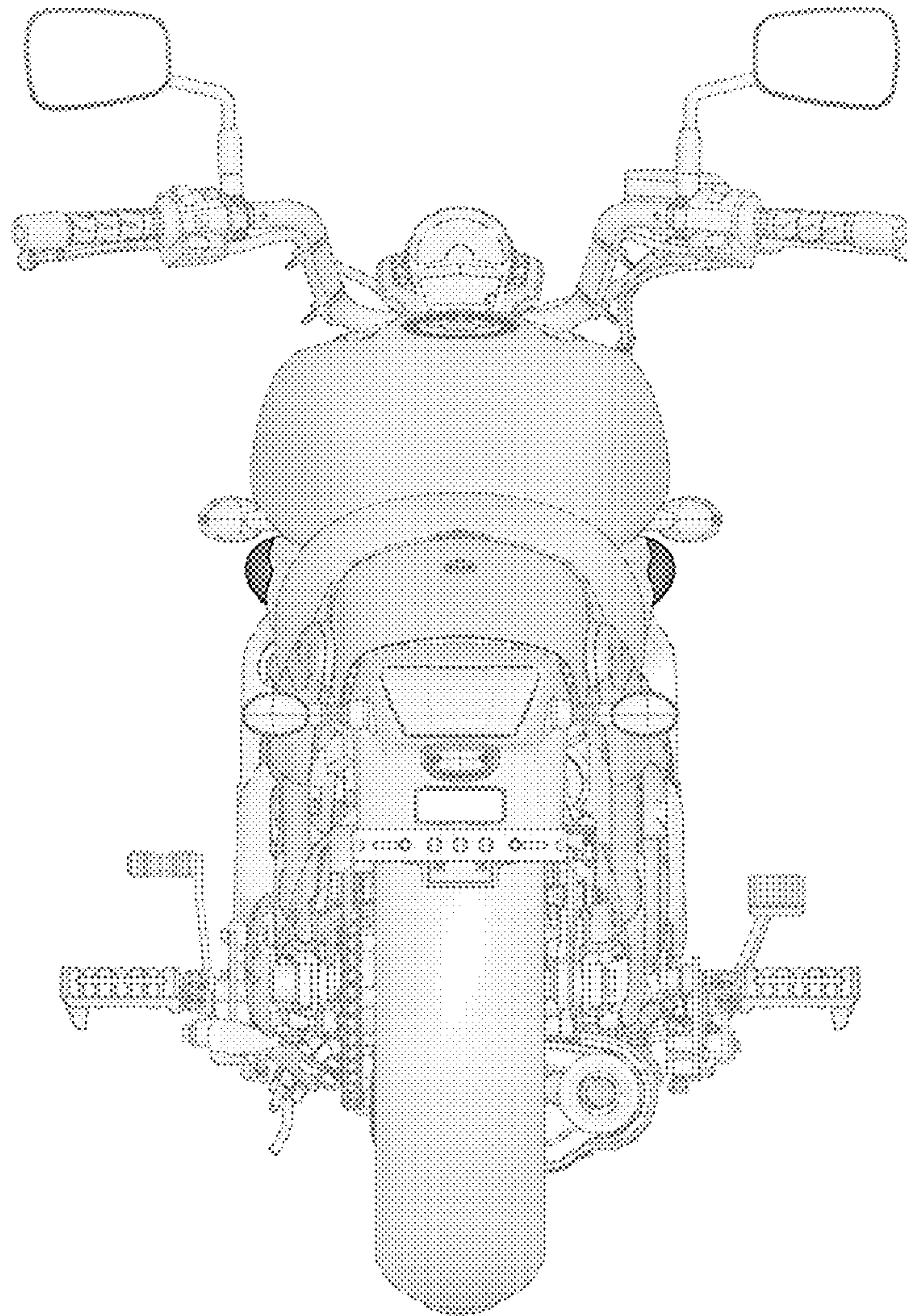


Fig. 2



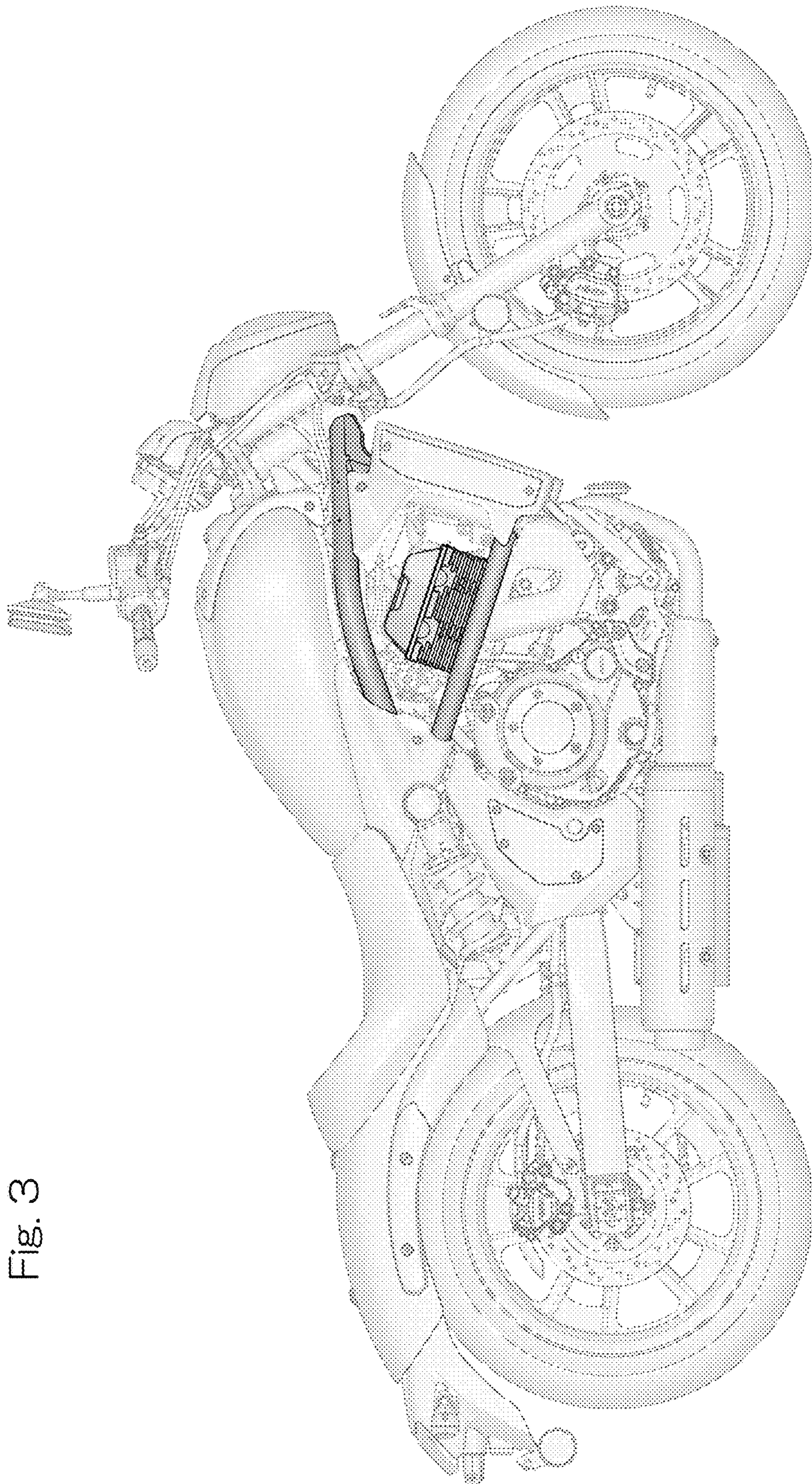


Fig. 3

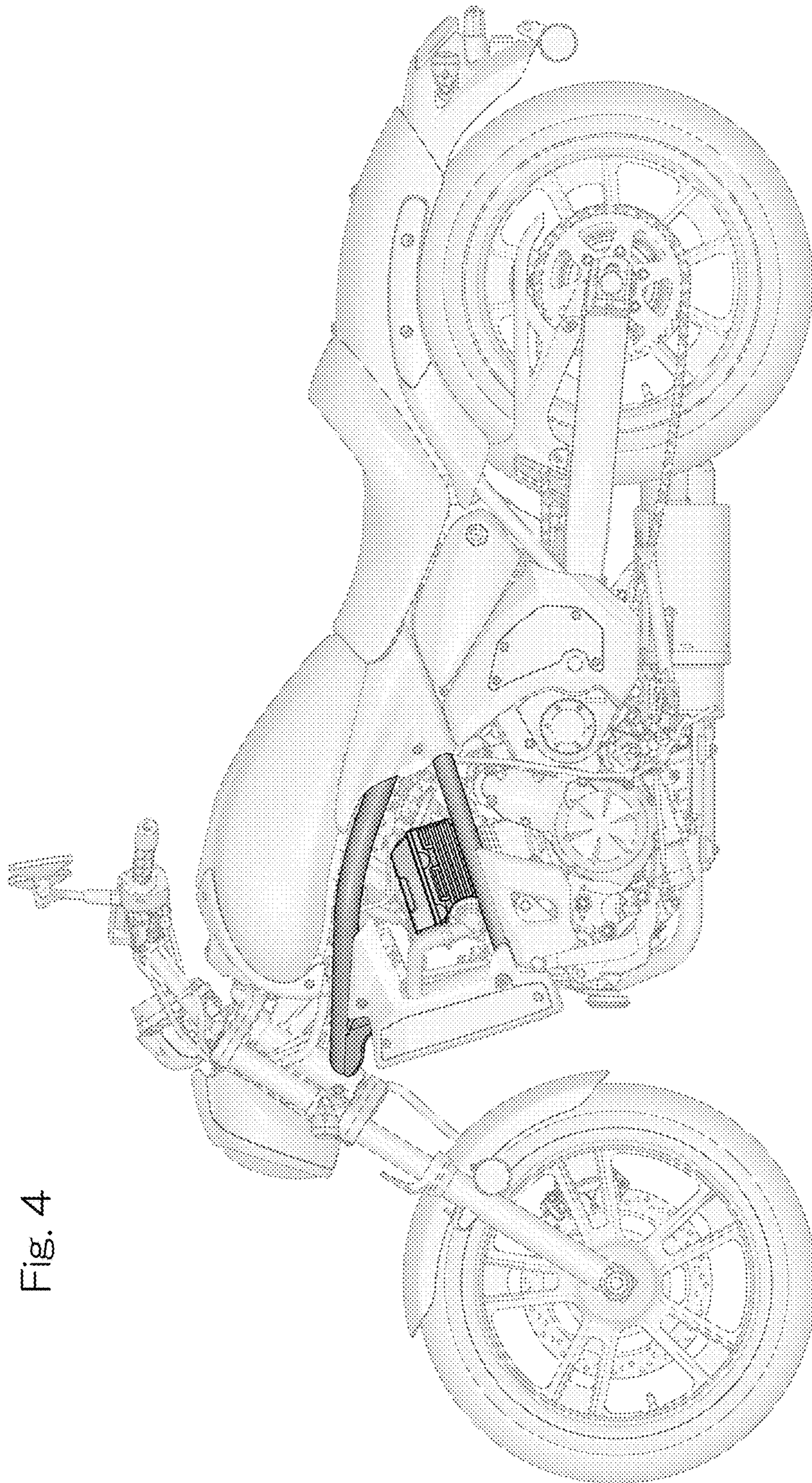
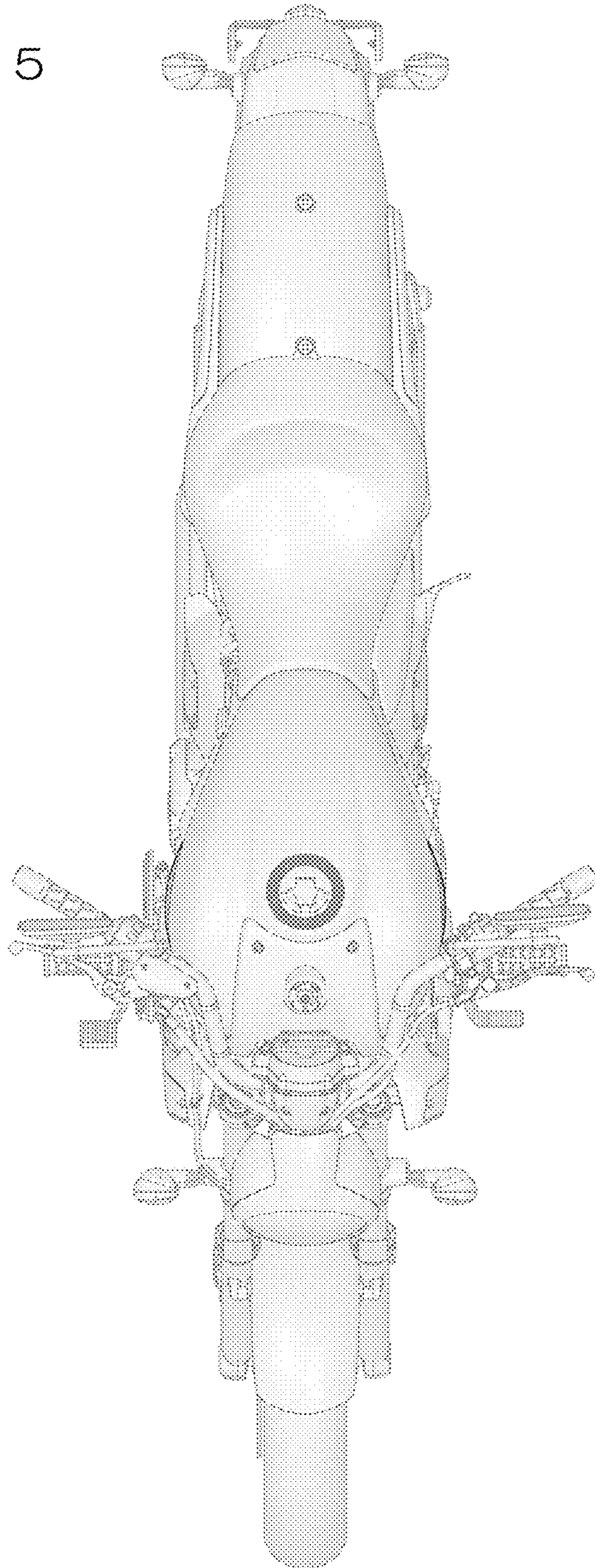


Fig. 4

Fig. 5



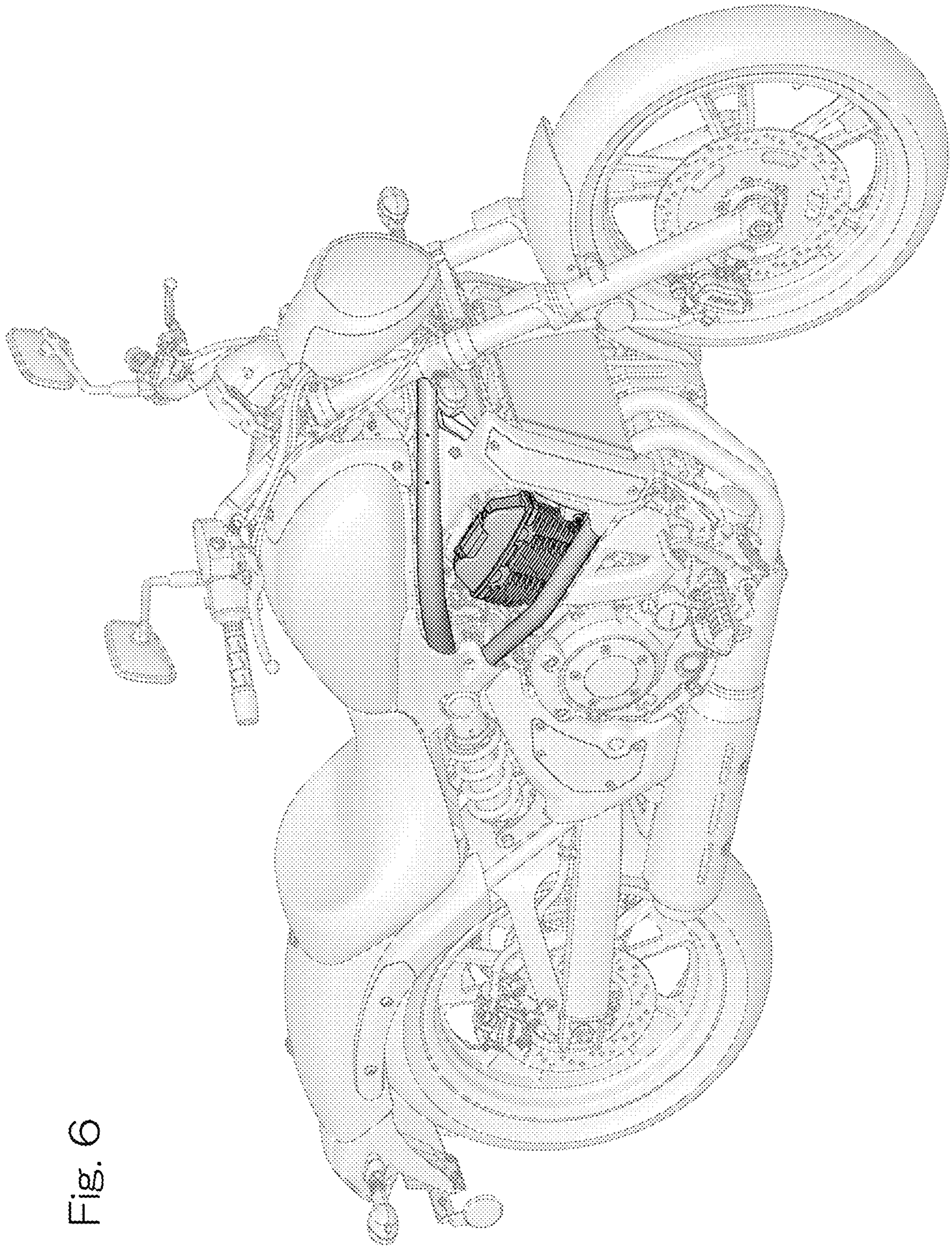


Fig. 6

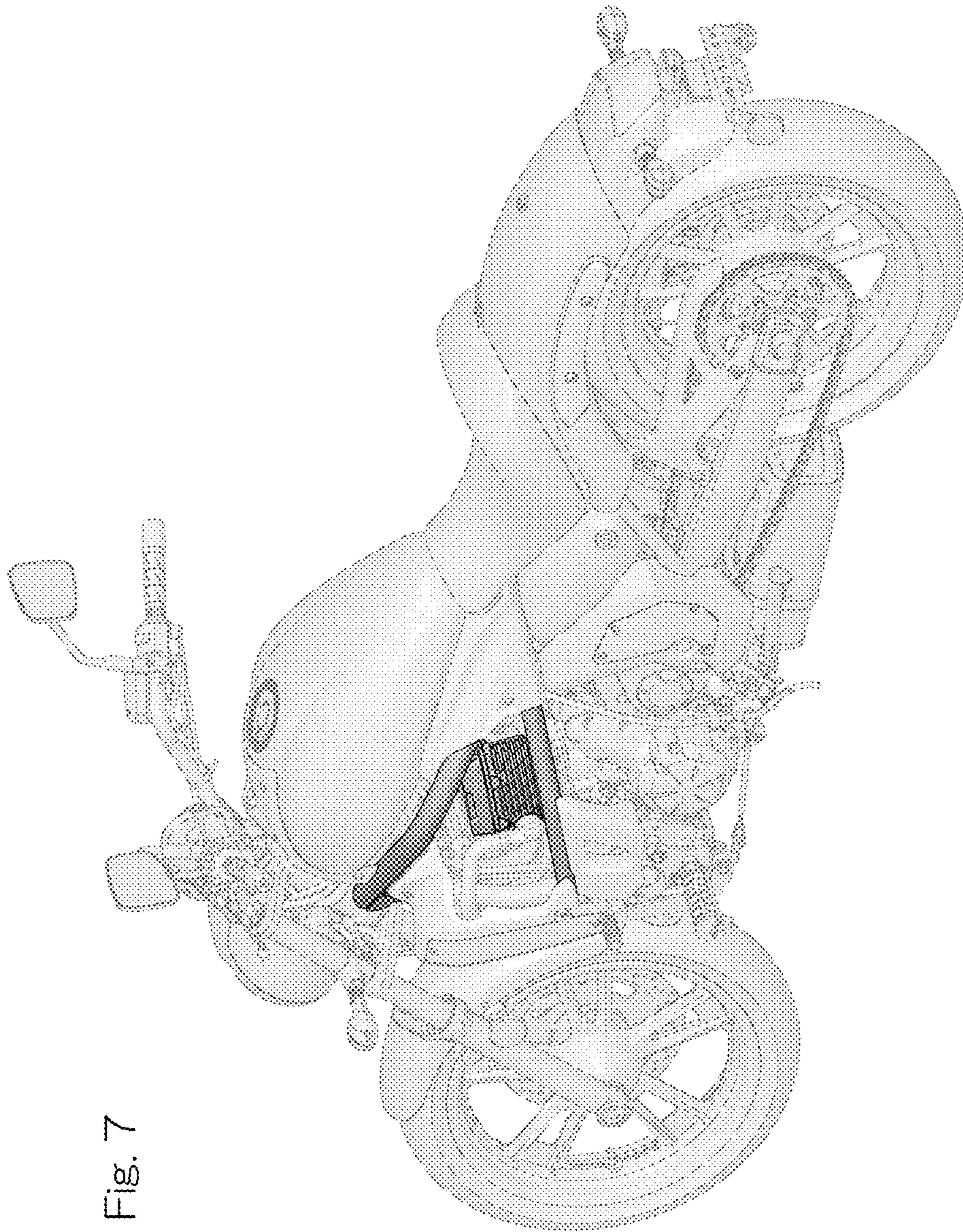


Fig. 7