



US00D786735S

(12) **United States Design Patent**  
**Koreishi et al.**

(10) **Patent No.:** **US D786,735 S**

(45) **Date of Patent:** **\*\* May 16, 2017**

- (54) **BELT ADJUSTING DEVICE**
- (71) Applicants: **NIFCO INC.**, Yokosuka-shi, Kanagawa (JP); **Daiya Industry Co., Ltd.**, Okayama-shi, Okayama (JP)
- (72) Inventors: **Namiko Koreishi**, Yokosuka (JP); **Takamitsu Kurata**, Osaka (JP); **Masao Matsuo**, Okayama (JP); **Masayuki Kawakami**, Okayama (JP)
- (73) Assignees: **NIFCO INC.**, Yokosuka-shi, Kanagawa (JP); **DAIYA INDUSTRY CO., LTD.**, Okayama-shi, Okayama (JP)

- 1,934,951 A \* 11/1933 Schaefer ..... A44B 11/04 24/186
- D287,067 S \* 12/1986 Kasai ..... D11/218
- D290,349 S \* 6/1987 Kasai ..... D11/218
- D471,132 S \* 3/2003 Murata ..... D11/218
- D649,087 S \* 11/2011 Harada ..... D11/218
- D729,689 S \* 5/2015 Kelleghan ..... D11/218
- D731,920 S \* 6/2015 Kung ..... D11/218

\* cited by examiner

*Primary Examiner* — Ralf Seifert

(74) *Attorney, Agent, or Firm* — Manabu Kanesaka

- (\*\*) Term: **15 Years**
- (21) Appl. No.: **29/546,770**
- (22) Filed: **Nov. 25, 2015**

(57) **CLAIM**

The ornamental design for a belt adjusting device, as shown and described.

(30) **Foreign Application Priority Data**

**DESCRIPTION**

- May 25, 2015 (JP) ..... 2015-011496
- (51) **LOC (10) Cl.** ..... **02-07**
- (52) **U.S. Cl.**  
USPC ..... **D11/218**
- (58) **Field of Classification Search**  
USPC ..... D11/1-2, 200-201, 206-210, 214-218;  
24/163 R, 169-171, 173, 177-179, 191,  
24/194-195, 197, 200, 614-616, 625,  
24/198, 578.11, 578.1, 163 K, 114;  
D2/853, 624  
CPC ..... A44B 11/26; A44B 11/25; A44B 11/06;  
A44B 11/04  
See application file for complete search history.

FIG. 1 is a front perspective view of a belt adjusting device showing our new design;  
 FIG. 2 is a rear perspective view thereof;  
 FIG. 3 is a front view thereof;  
 FIG. 4 is a rear view thereof;  
 FIG. 5 is a plan view thereof;  
 FIG. 6 is a bottom view thereof;  
 FIG. 7 is a right side view thereof;  
 FIG. 8 is a left side view thereof;  
 FIG. 9 is a cross-sectional view thereof along the line 9-9 in FIG. 3; and,  
 FIG. 10 is a front perspective view in use thereof.  
 The broken lines are for the purpose of illustrating environmental structure and form no part of the claimed design.

(56) **References Cited**

**U.S. PATENT DOCUMENTS**

- 873,791 A \* 12/1907 Rubin ..... A44B 11/04 24/198
- 1,147,955 A \* 7/1915 Langhammer ..... A44B 11/04 24/198

**1 Claim, 6 Drawing Sheets**

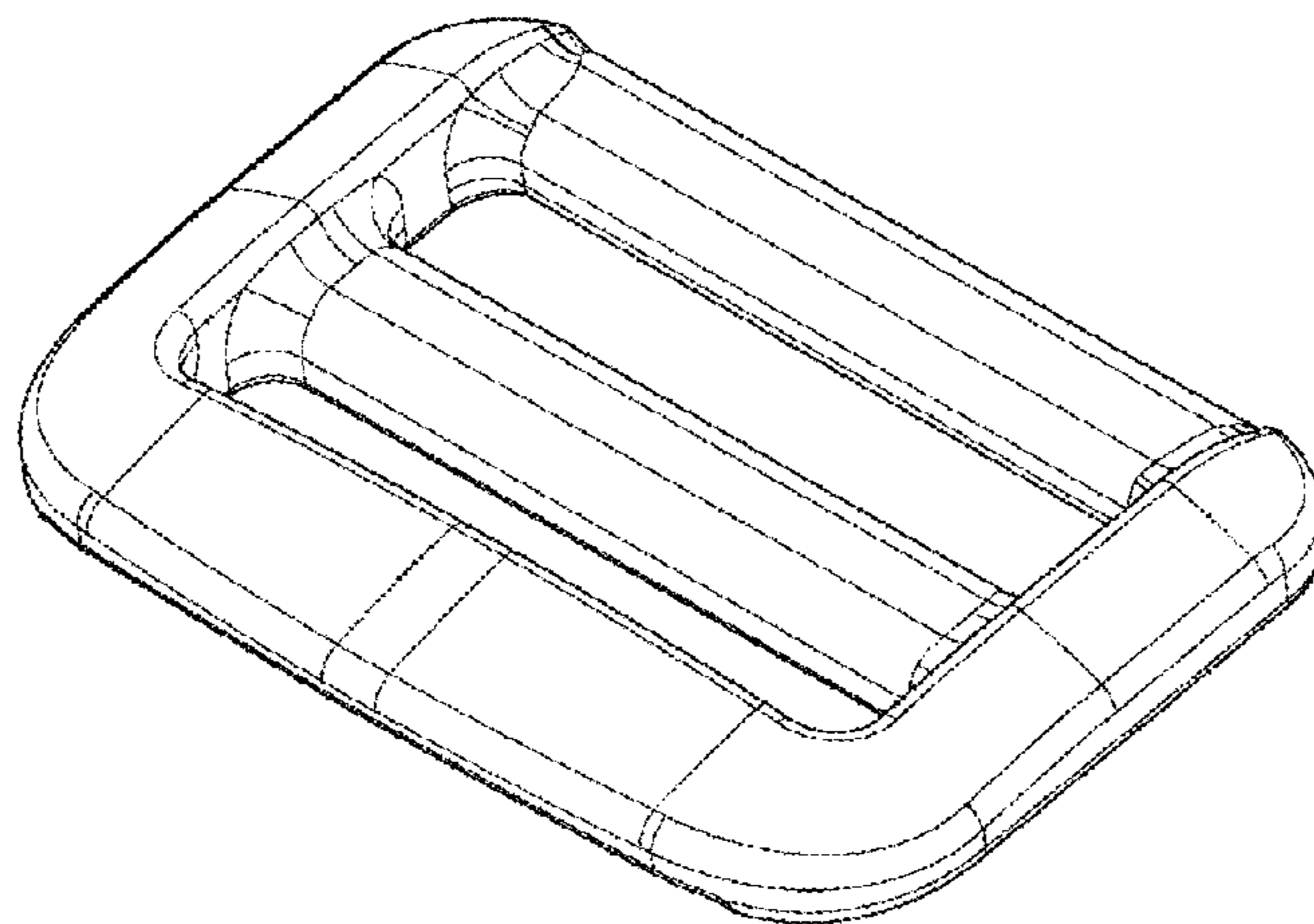


FIG. 1

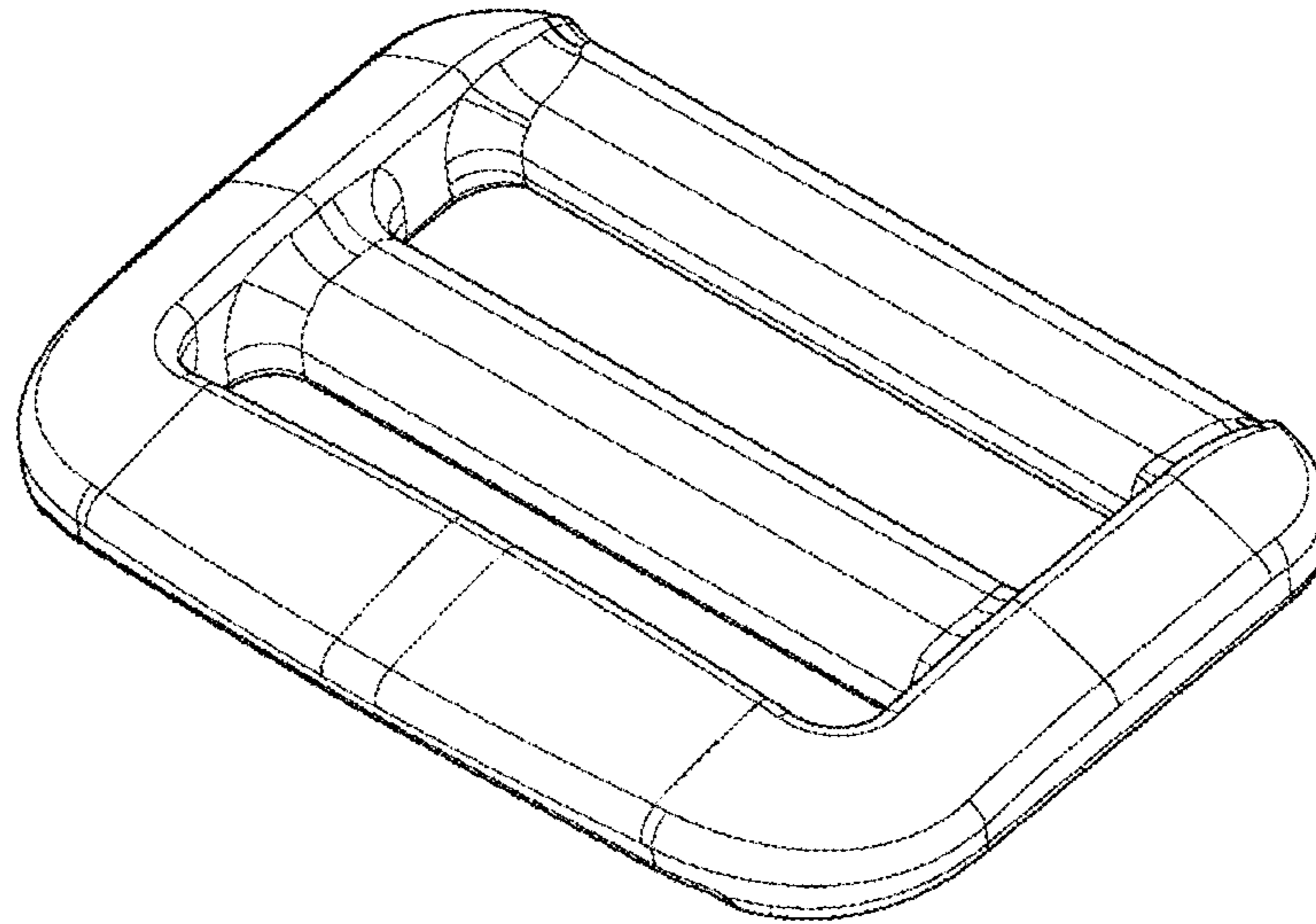


FIG. 2

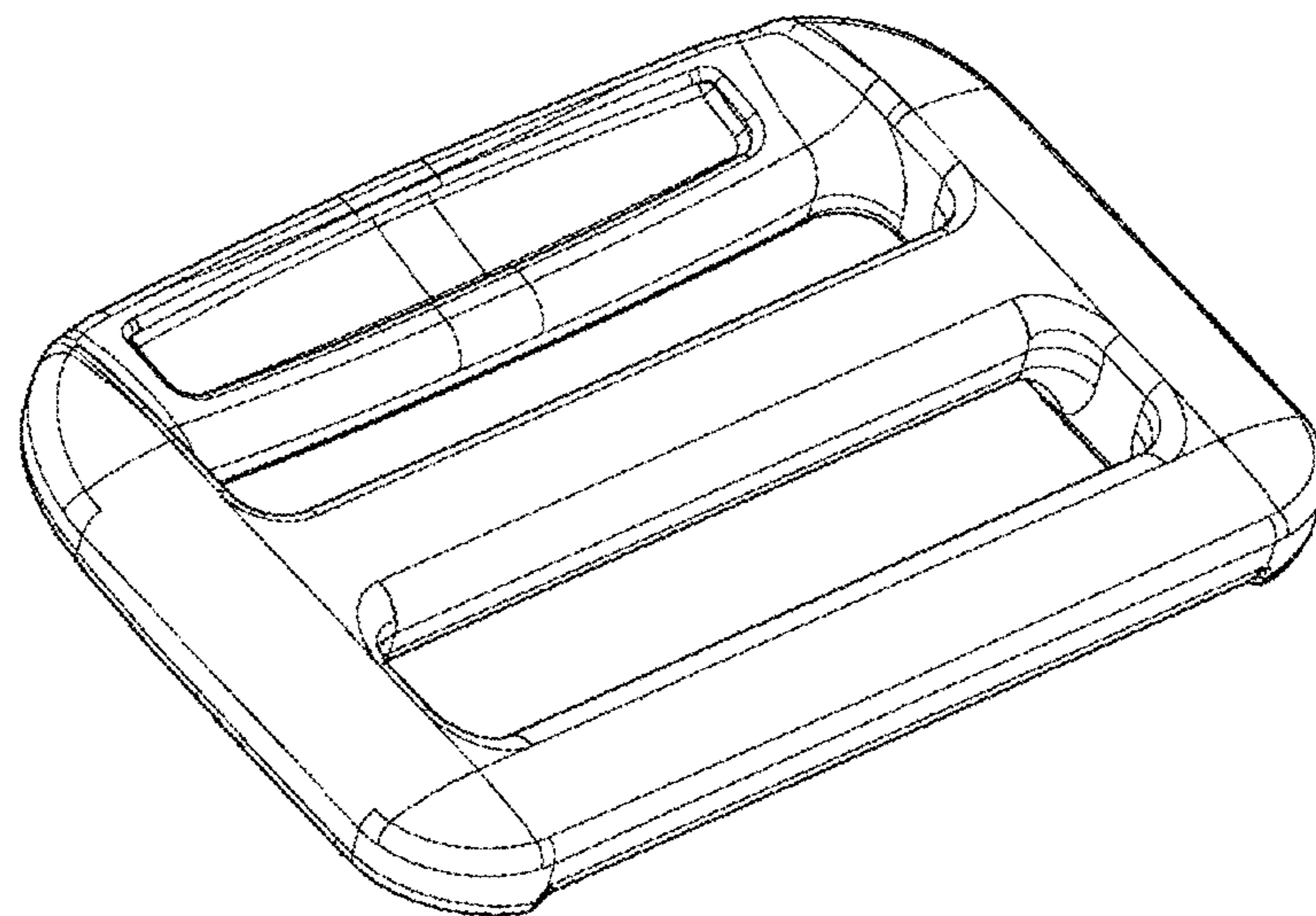


FIG. 3

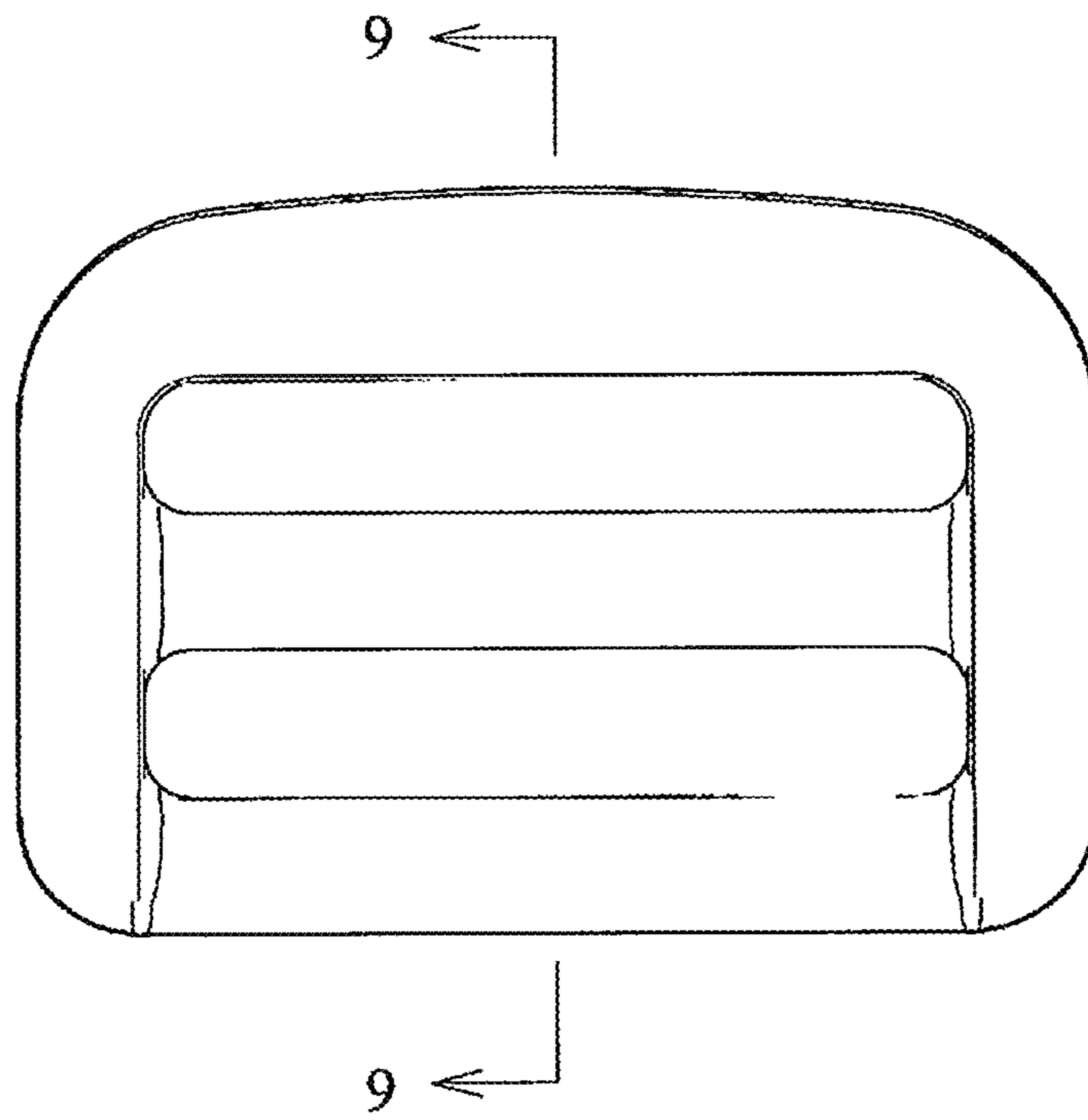
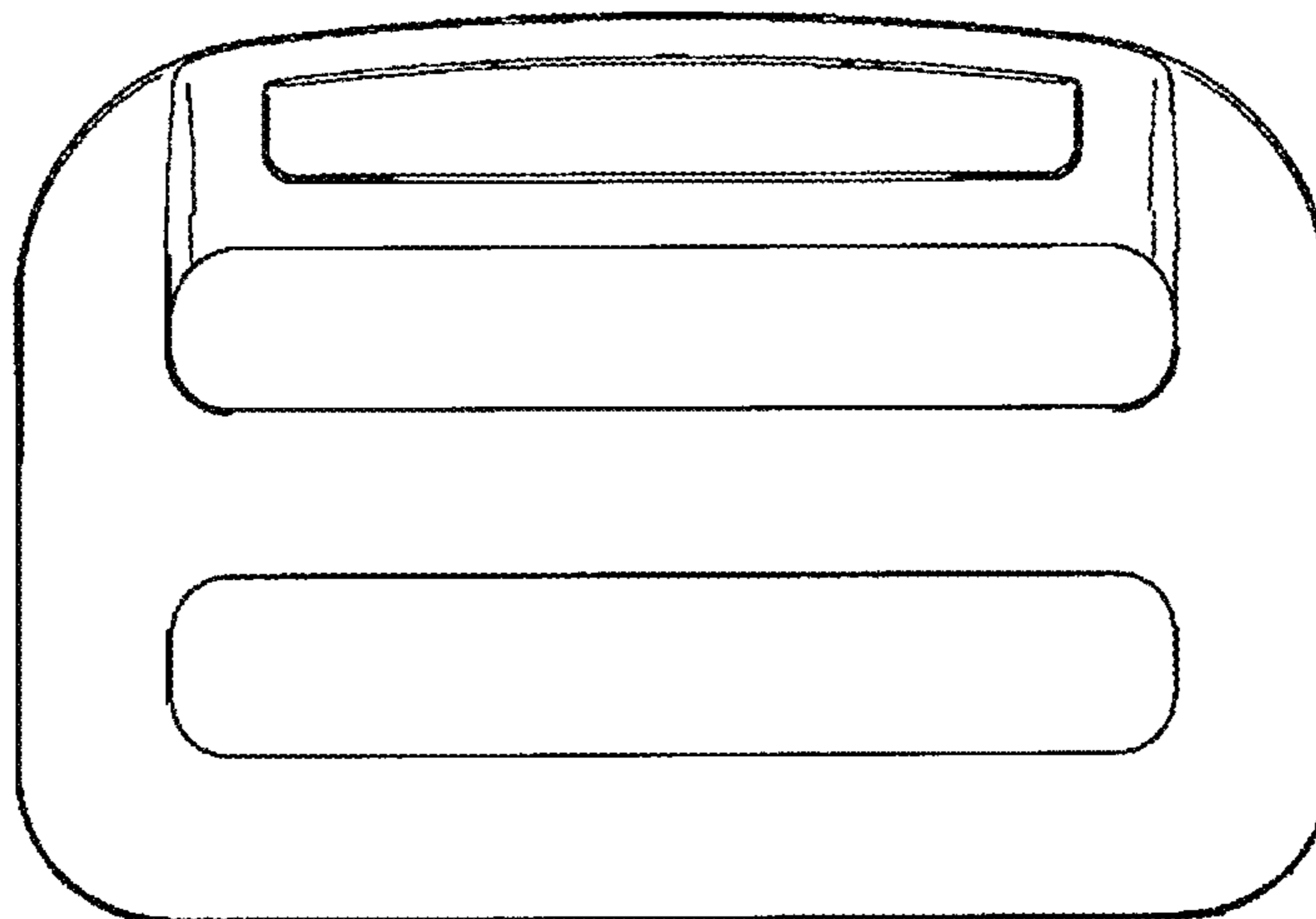
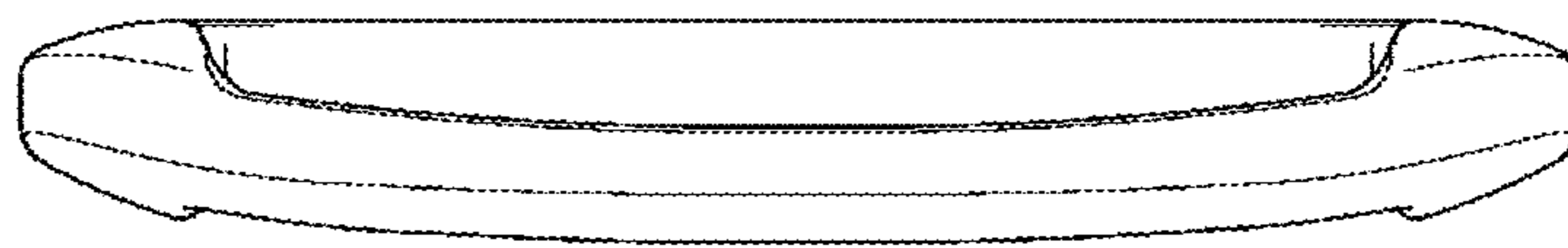


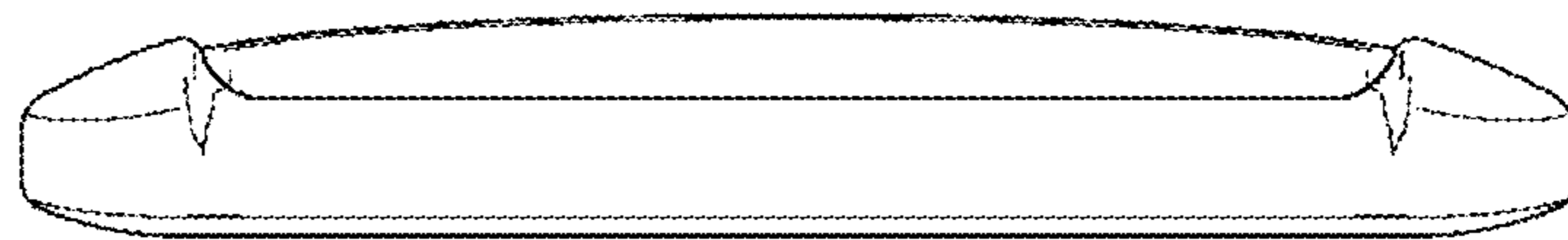
FIG. 4



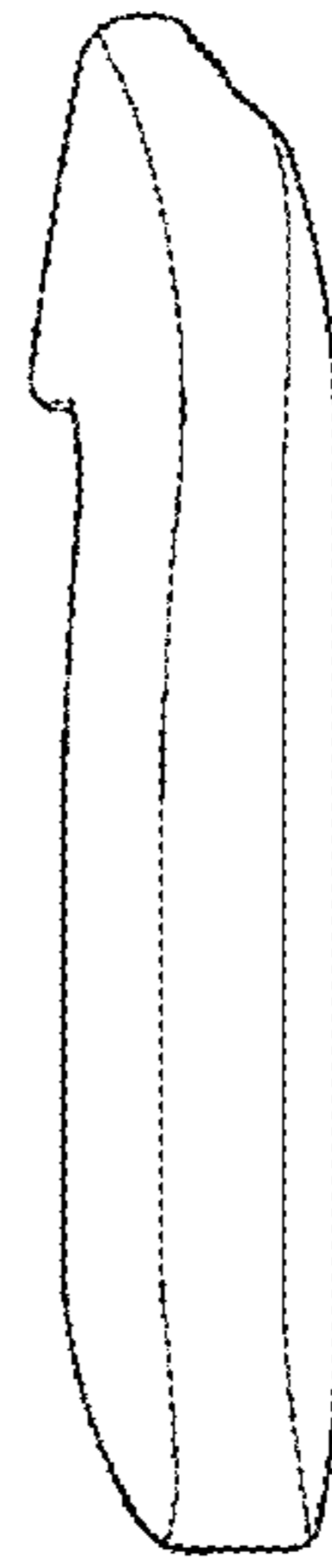
**FIG. 5**



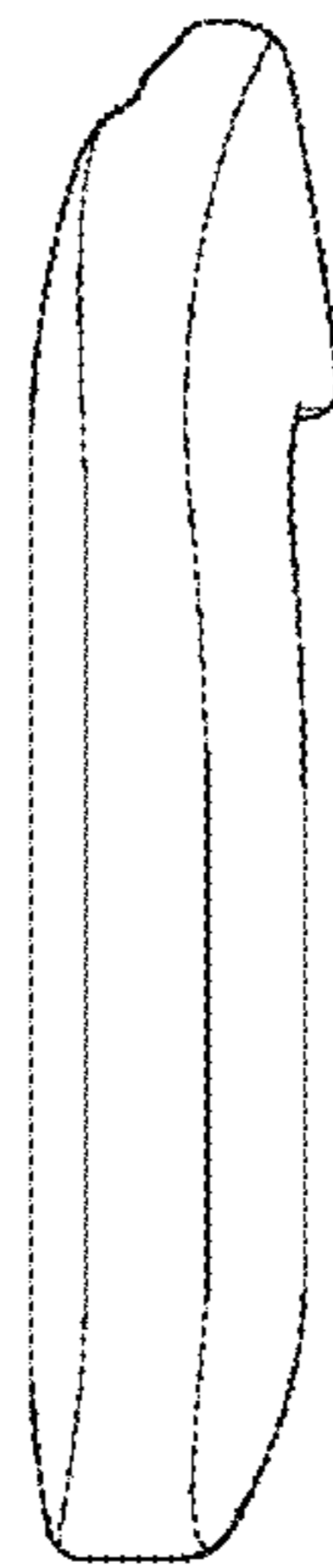
**FIG. 6**



**FIG. 7**



**FIG. 8**



**FIG. 9**



FIG. 10

