



US00D786727S

(12) **United States Design Patent** (10) **Patent No.:** **US D786,727 S**  
**Leigh-Bramwell et al.** (45) **Date of Patent:** **\*\* May 16, 2017**

(54) **TIDAL CLOCK**

(71) Applicant: **Bramwell Brown Limited**, London (GB)

(72) Inventors: **Rob Leigh-Bramwell**, London (GB);  
**Sarah Leigh Bramwell**, London (GB)

(73) Assignee: **Bramwell Brown Limited**, London (GB)

(\*\*) Term: **15 Years**

(21) Appl. No.: **29/540,481**

(22) Filed: **Sep. 24, 2015**

(51) **LOC (10) Cl.** ..... **04-07**

(52) **U.S. Cl.**  
USPC ..... **D10/126; D10/103**

(58) **Field of Classification Search**  
USPC ..... D10/30-39, 122-132, 1-29, 40, 41, 50,  
D10/52, 55-57, 60, 85, 99-103; 73/1.02,  
73/1.06, 1.42, 1.43, 1.49, 1.52, 1.57  
CPC ..... G04B 19/00; G04B 19/06; G04B 19/065;  
G04B 19/08; G04B 19/10; G04B 19/106;  
G04B 19/26; G04B 19/262; G04B 19/268  
See application file for complete search history.

(56) **References Cited**

**U.S. PATENT DOCUMENTS**

D16,989 S \* 11/1886 Upton ..... D10/126  
D24,755 S \* 10/1895 Benton ..... D10/103  
D32,683 S \* 5/1900 Baldwin ..... D10/1  
2,099,958 A \* 11/1937 Herold ..... G09F 23/00  
374/194  
D109,639 S \* 5/1938 Gunn ..... D10/103  
D222,784 S \* 12/1971 Kurth ..... D10/39

(Continued)

**FOREIGN PATENT DOCUMENTS**

WO WO 2015193665 A2 \* 12/2015

**OTHER PUBLICATIONS**

Bramwell Brown, Large Weather Clock, as posted at BramwellBrown.com [online], posting date not available [site visited Sep. 27, 2016]. Available from Internet, <http://bramwellbrown.com/collections/visible-products-for-front-page/products/tide-clock-large>.\*

*Primary Examiner* — Jeffrey D Asch  
*Assistant Examiner* — Rebekah A Caruso

(74) *Attorney, Agent, or Firm* — Beyer Law Group LLP

(57) **CLAIM**

We claim the ornamental design for a tidal clock, as shown and described.

**DESCRIPTION**

FIG. 1 is a perspective view of a tidal clock showing a clock face embodying our new design.

FIG. 2 is a front view of the tidal clock showing a clock face in a first tidal state.

FIG. 3 is a front view of the tidal clock showing a clock face in a second tidal state.

FIG. 4 is a front view of the tidal clock showing a clock face in a third tidal state; and,

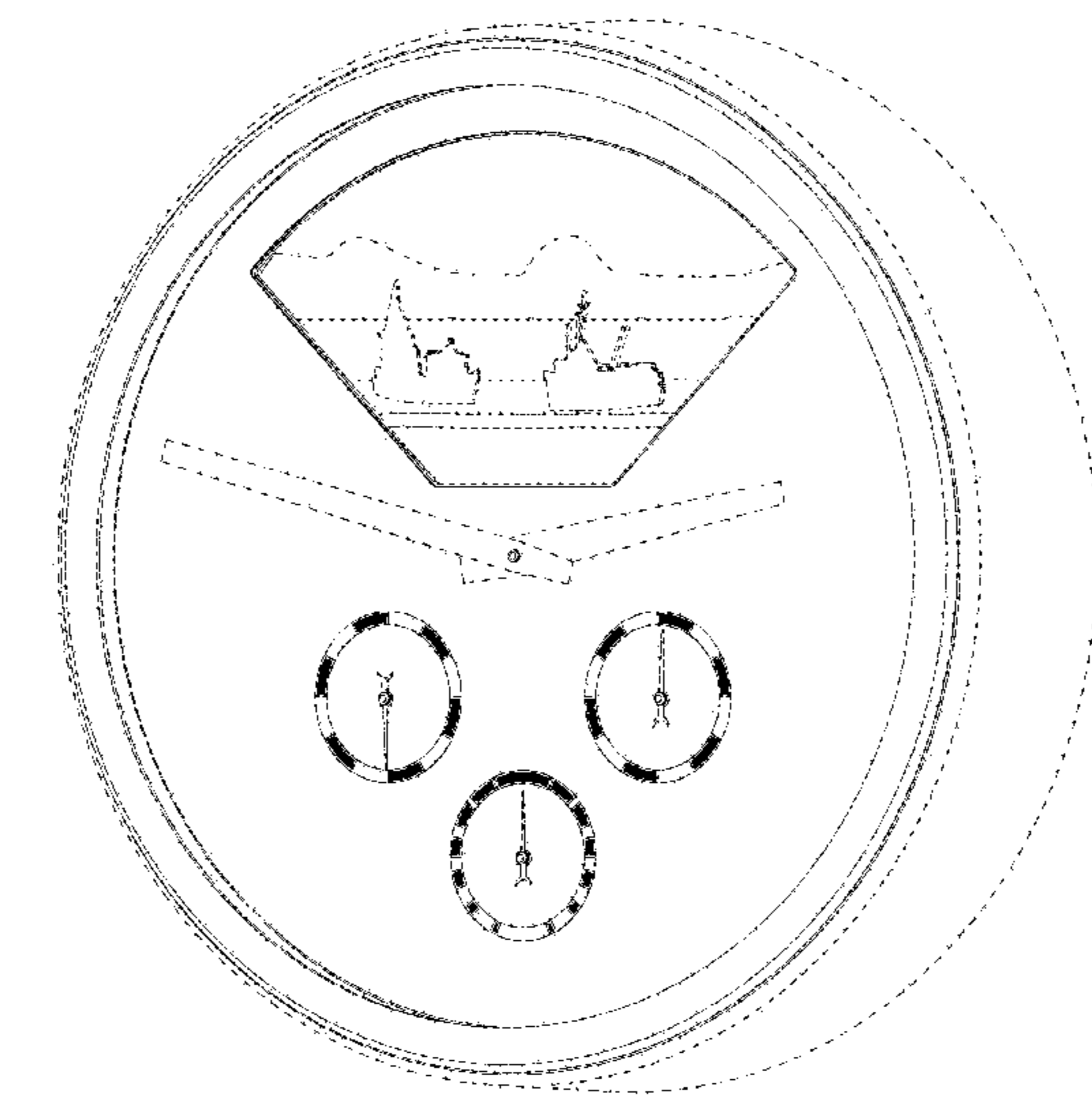
FIG. 5 is a front view of the tidal clock showing a clock face in a fourth tidal state.

The graphic content shown in broken lines within the window is included for the purpose of illustrating possible tide related imagery that may be displayed within the window but forms no part of the claimed design.

The broken lines in the drawing are for illustrative purposes only and form no part of the claimed design.

The needles on each of the dials on the clock face are independently moveable and several representative settings are shown, however the illustrated positions of the needles are intended to be representative of numerous possible relative needle positions depending on tidal conditions. The four tidal states depicted in FIGS. 2-5 represent different positions indicating different states of the same design.

**1 Claim, 5 Drawing Sheets**



(56)

References Cited

U.S. PATENT DOCUMENTS

3,842,590 A \* 10/1974 Kato ..... G04B 47/003  
 368/319  
 D236,192 S \* 8/1975 Braconier ..... D10/124  
 4,849,949 A \* 7/1989 Voth ..... G04B 19/266  
 368/19  
 D376,108 S \* 12/1996 Joergensen ..... D10/40  
 D517,432 S \* 3/2006 Laucella ..... D10/39  
 D531,923 S \* 11/2006 Kume ..... D10/126  
 D539,688 S \* 4/2007 Bolt ..... D10/126  
 D577,304 S \* 9/2008 Behling ..... D10/126  
 D578,920 S \* 10/2008 Behling ..... D10/126  
 D580,809 S \* 11/2008 Inoue ..... D10/126  
 D625,639 S \* 10/2010 Kamata ..... D10/126  
 D650,710 S \* 12/2011 Laucella ..... D10/39  
 8,179,744 B2 \* 5/2012 Laucella ..... G04B 19/02  
 368/110  
 D664,052 S \* 7/2012 High ..... D10/57  
 D686,093 S \* 7/2013 Wright ..... D10/40  
 D706,661 S \* 6/2014 Boyer ..... D10/102  
 D736,654 S \* 8/2015 Monachon ..... D10/126  
 D752,467 S \* 3/2016 Schneider ..... D10/126  
 D752,468 S \* 3/2016 Schneider ..... D10/126  
 9,304,229 B2 \* 4/2016 Shannon ..... G01W 1/02  
 D761,680 S \* 7/2016 Plange ..... D10/126  
 9,383,724 B2 \* 7/2016 Rebetetz ..... G04B 19/253  
 2014/0104991 A1 \* 4/2014 Rochat ..... G04F 7/0866  
 368/11

\* cited by examiner

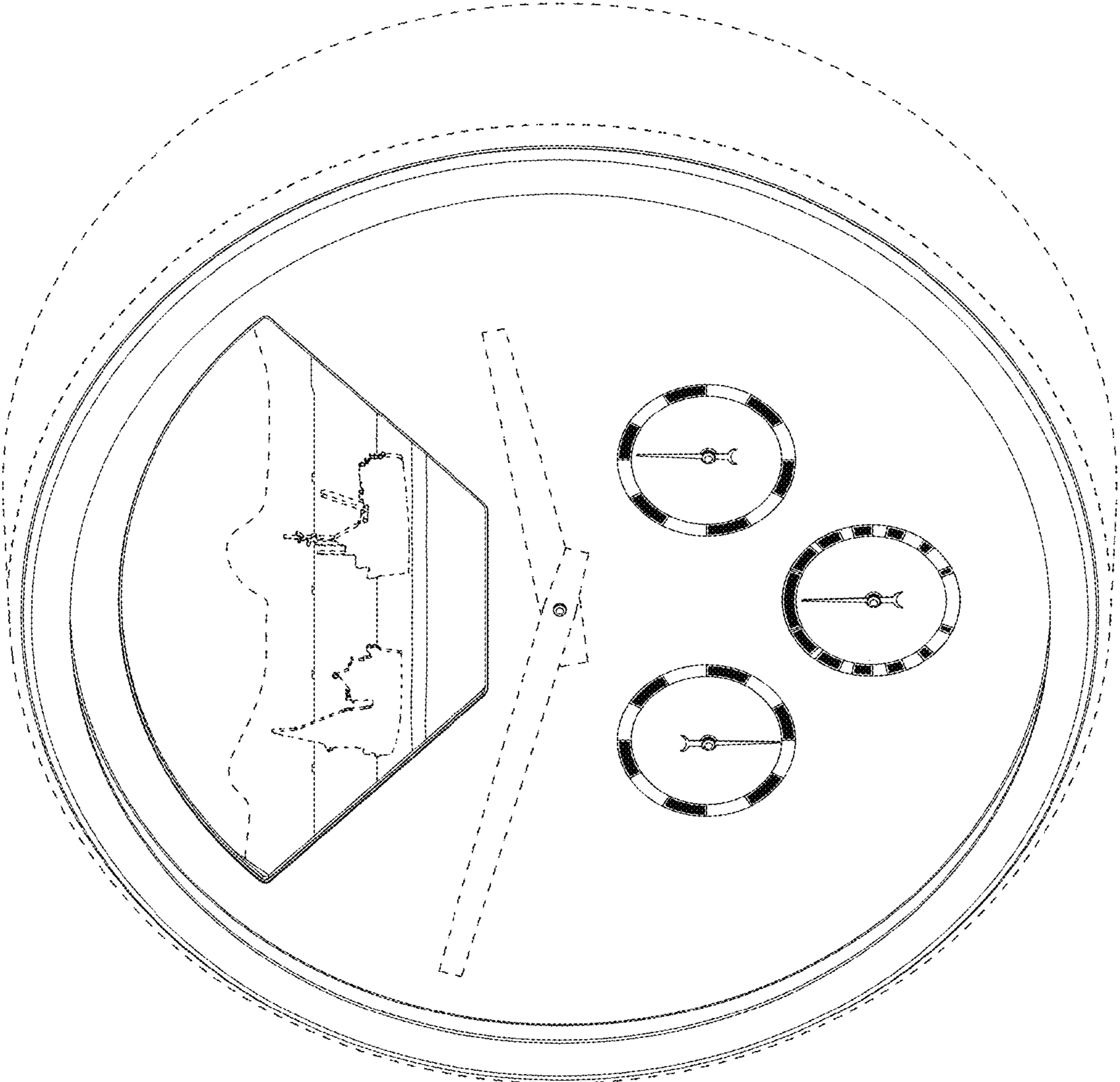


FIG. 1

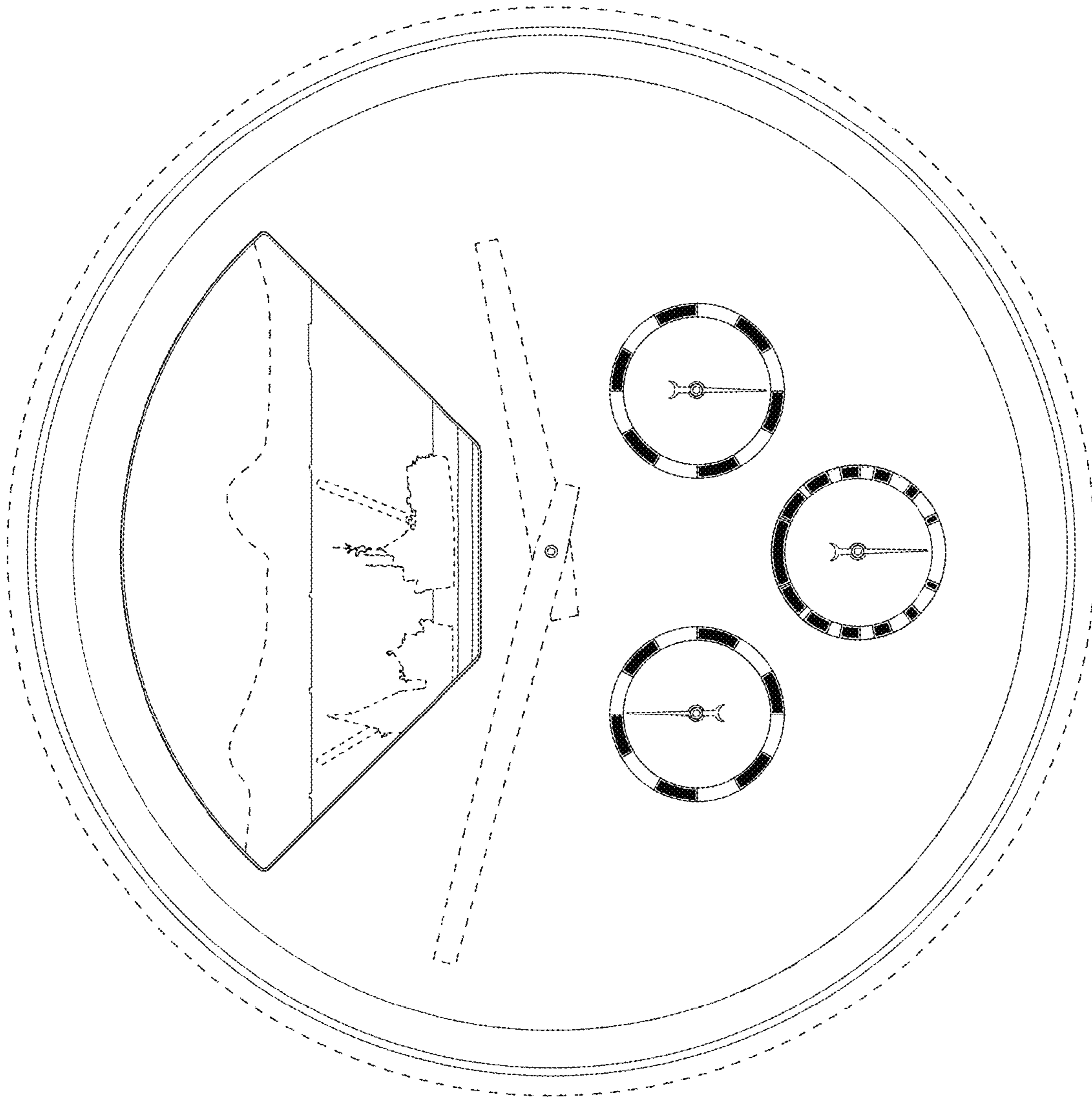


FIG. 2

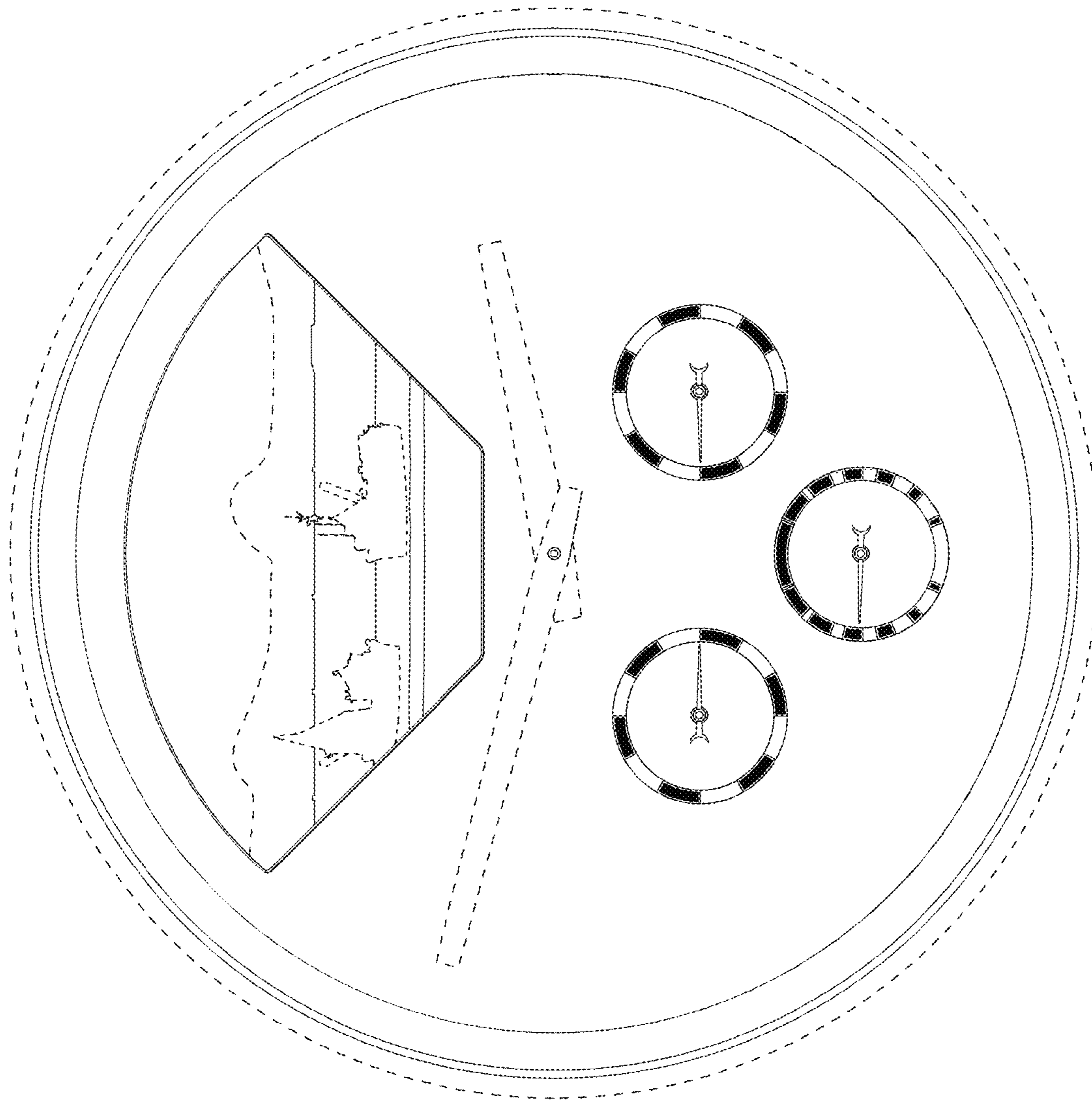


FIG. 3

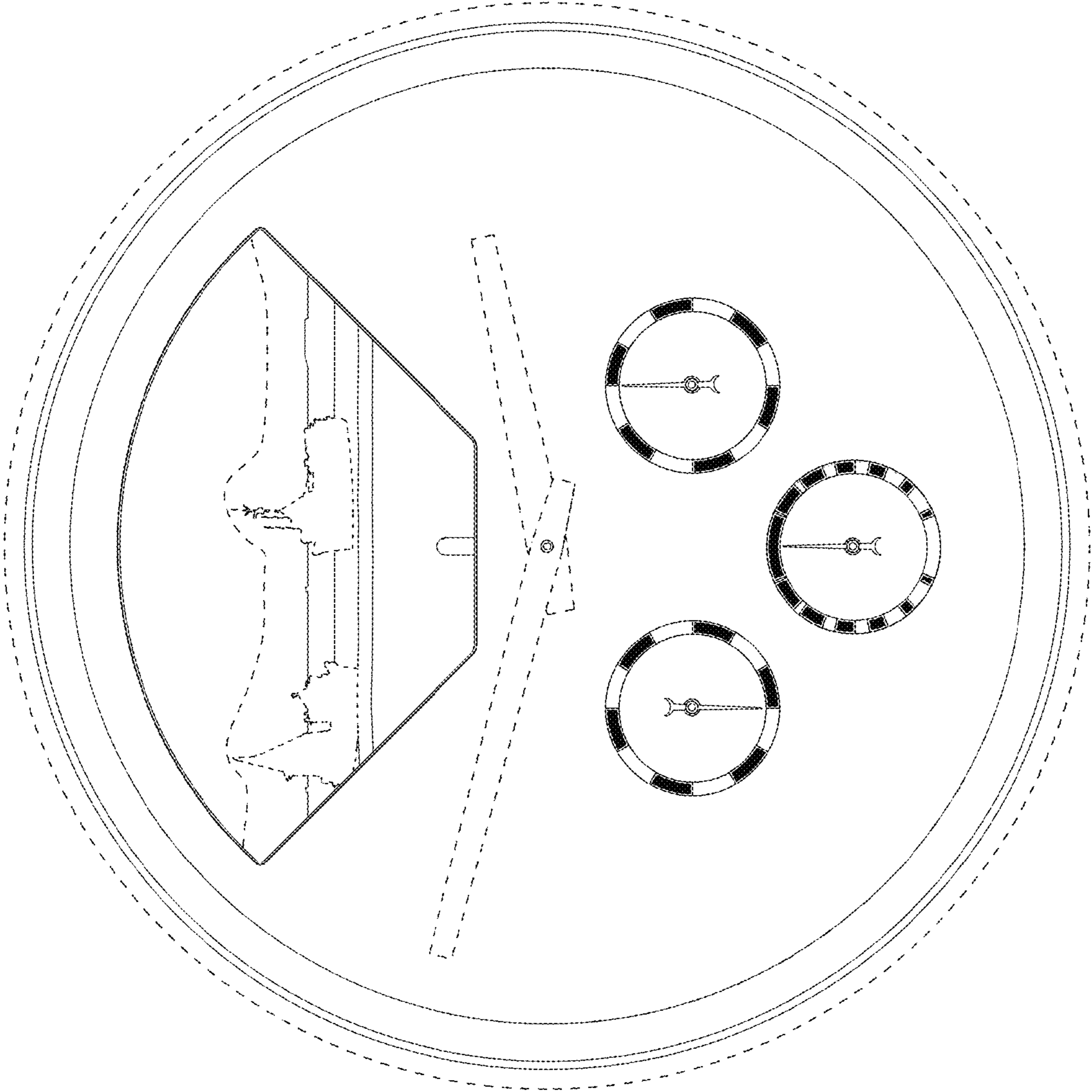


FIG. 4

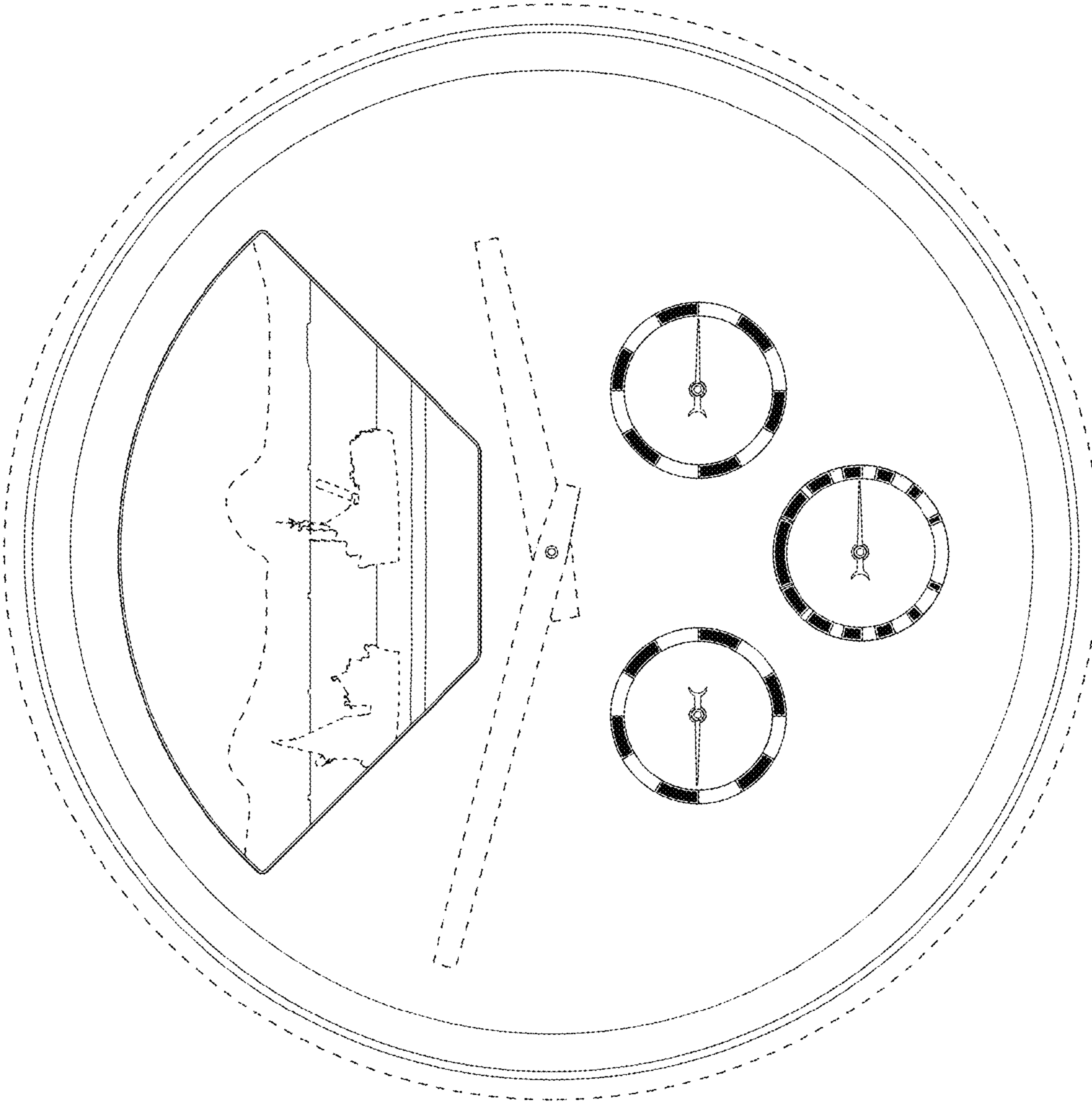


FIG. 5