



US00D786725S

(12) **United States Design Patent** (10) **Patent No.:** **US D786,725 S**
McCormick et al. (45) **Date of Patent:** **** May 16, 2017**

(54) **ALARM HOUSING**
(71) Applicant: **Honeywell International Inc.**,
Morristown, NJ (US)
(72) Inventors: **Matthew McCormick**, South Elgin, IL
(US); **Thomas Kucala**, Cortland, IL
(US)
(73) Assignee: **HONEYWELL INTERNATIONAL
INC.**, Morristown, NJ (US)

D399,157 S * 10/1998 Hsu D10/106.5
D416,273 S * 11/1999 Yamakawa D16/203
D449,630 S * 10/2001 Rak D10/106.1
D513,028 S * 12/2005 Maruyama D16/203
D552,501 S * 10/2007 Lin D10/104.1
D591,629 S * 5/2009 Tsurumi D10/106.5
D647,413 S * 10/2011 Trine D10/106.6
D678,097 S * 3/2013 Elwell D10/106.6
D692,332 S * 10/2013 Ni D10/106.1
D706,152 S * 6/2014 Ni D10/106.6
D721,755 S * 1/2015 Ahman et al. D16/203
D757,584 S * 5/2016 Pusey D10/106.5
D773,331 S * 12/2016 Wang D10/106.5
D773,332 S * 12/2016 Kalyan D10/106.5

(**) Term: **15 Years**

* cited by examiner

(21) Appl. No.: **29/560,389**

Primary Examiner — George D Kirschbaum

(22) Filed: **Apr. 6, 2016**

Assistant Examiner — Joseph Kukella

(51) **LOC (10) Cl.** **10-05**

(74) *Attorney, Agent, or Firm* — Husch Blackwell LLP

(52) **U.S. Cl.**
USPC **D10/106.5**

(57) **CLAIM**

(58) **Field of Classification Search**
USPC D10/46, 103, 104.1, 106.1, 106.2, 106.5,
D10/106.6, 109.1, 109.2, 116.1, 118,
D10/118.1, 118.2, 119.1, 121, 125, 126,
D10/132; D16/203
CPC G08B 17/06; G08B 17/10; G08B 17/103;
G08B 17/107

The ornamental design for an alarm housing, as shown and described, except as disclaimed herein.

See application file for complete search history.

DESCRIPTION

(56) **References Cited**

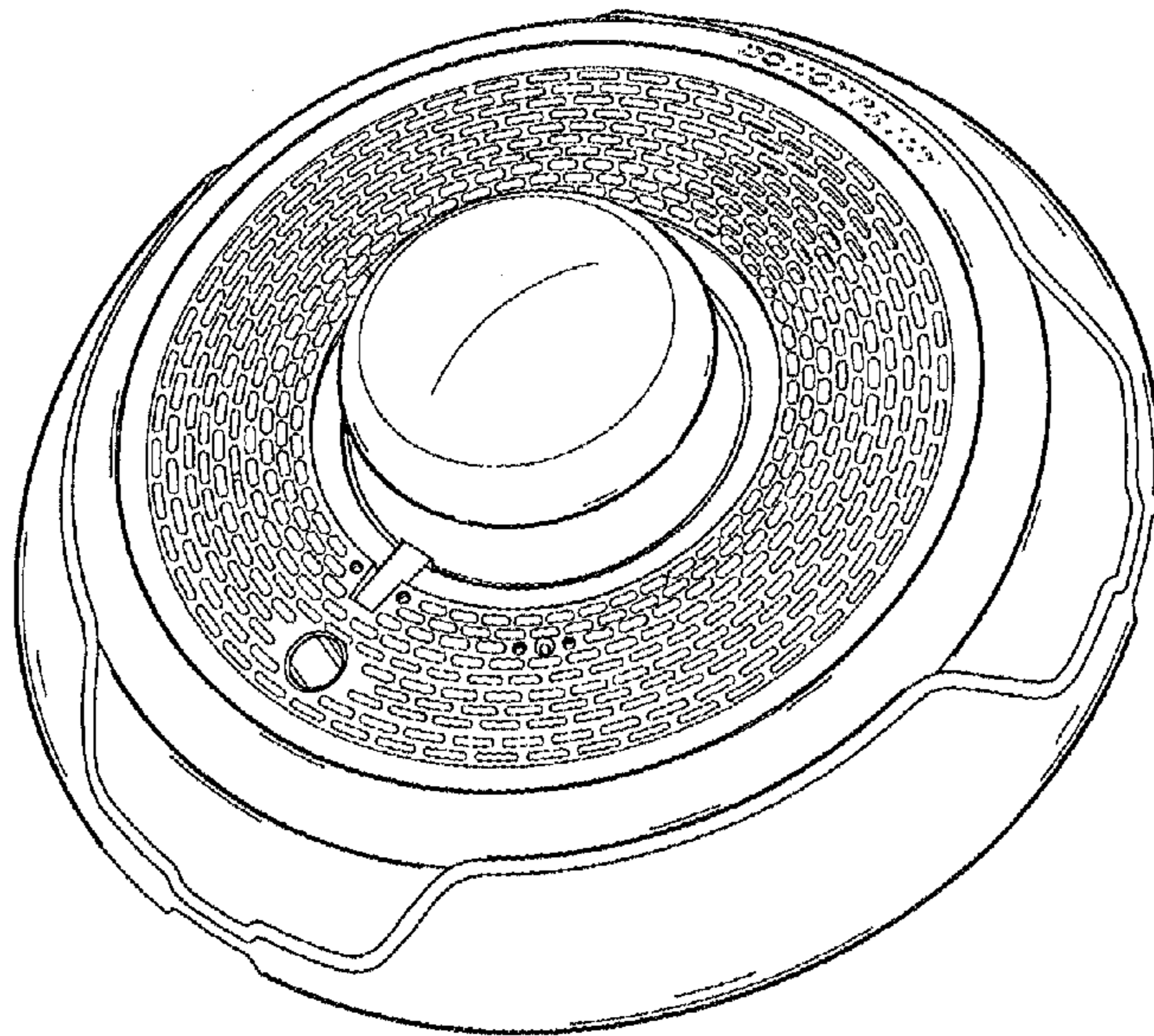
U.S. PATENT DOCUMENTS

D275,294 S * 8/1984 Pagano D16/203
D286,514 S * 11/1986 Spang D10/106.5
D293,656 S * 1/1988 Arai D10/109.2
D299,703 S * 2/1989 Arai D10/109.2
D374,189 S * 10/1996 Hubben D10/106.6
D380,401 S * 7/1997 Sarkis D10/106.1

FIG. 1 is a perspective view of the alarm housing.
FIG. 2 is a front elevation view of thereof.
FIG. 3 is a first side elevation view thereof, the opposing side elevation view being a mirror image thereof.
FIG. 4 is a top plan view thereof; and,
FIG. 5 is a bottom plan view thereof.

In the drawings, the broken lines depict environmental subject matter only and form no part of the claimed design. The back view of the alarm housing illustrated in FIGS. 1-5 is hereby disclaimed and forms no part of the claimed design.

1 Claim, 3 Drawing Sheets



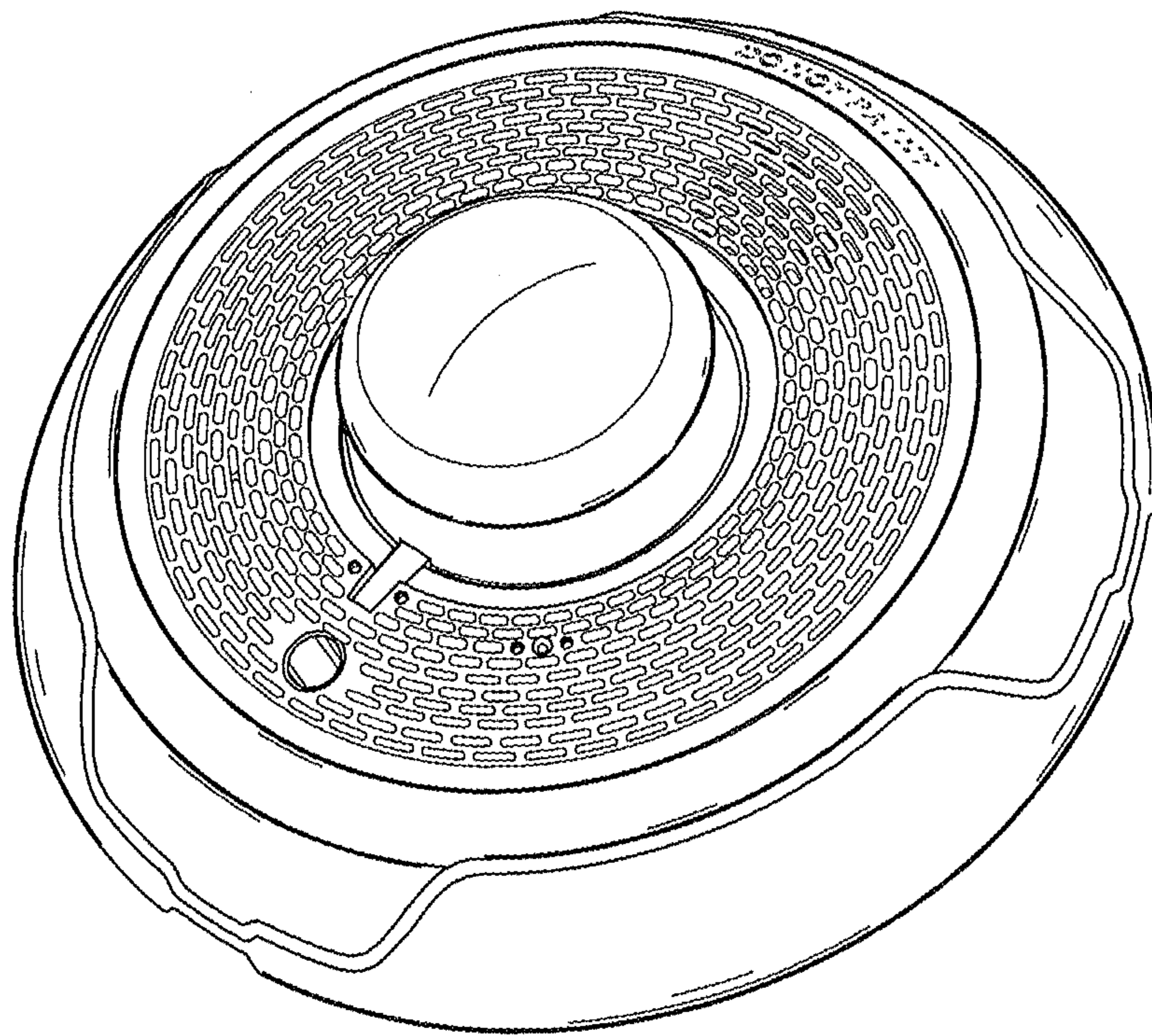


FIG. 1

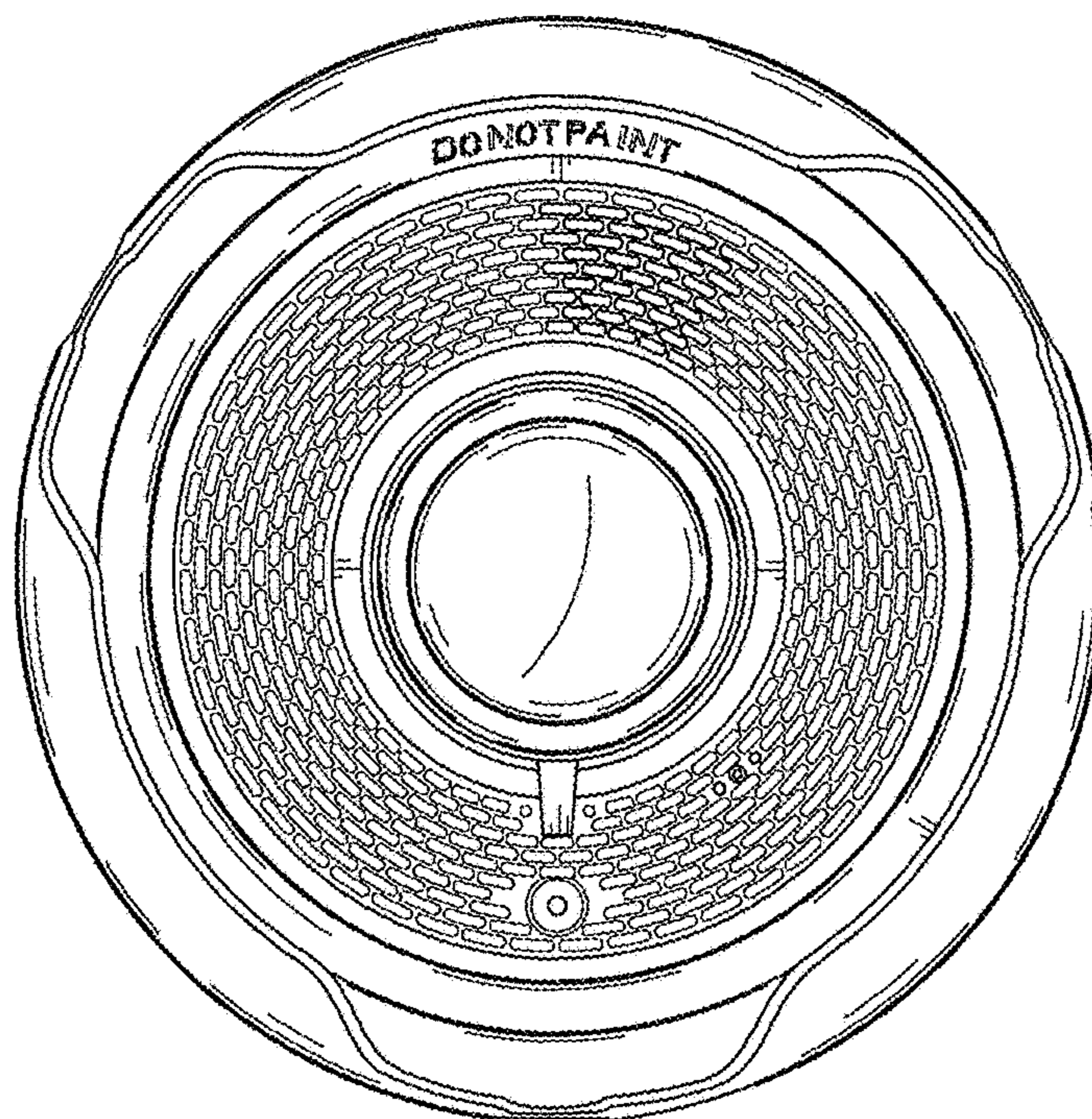


FIG. 2

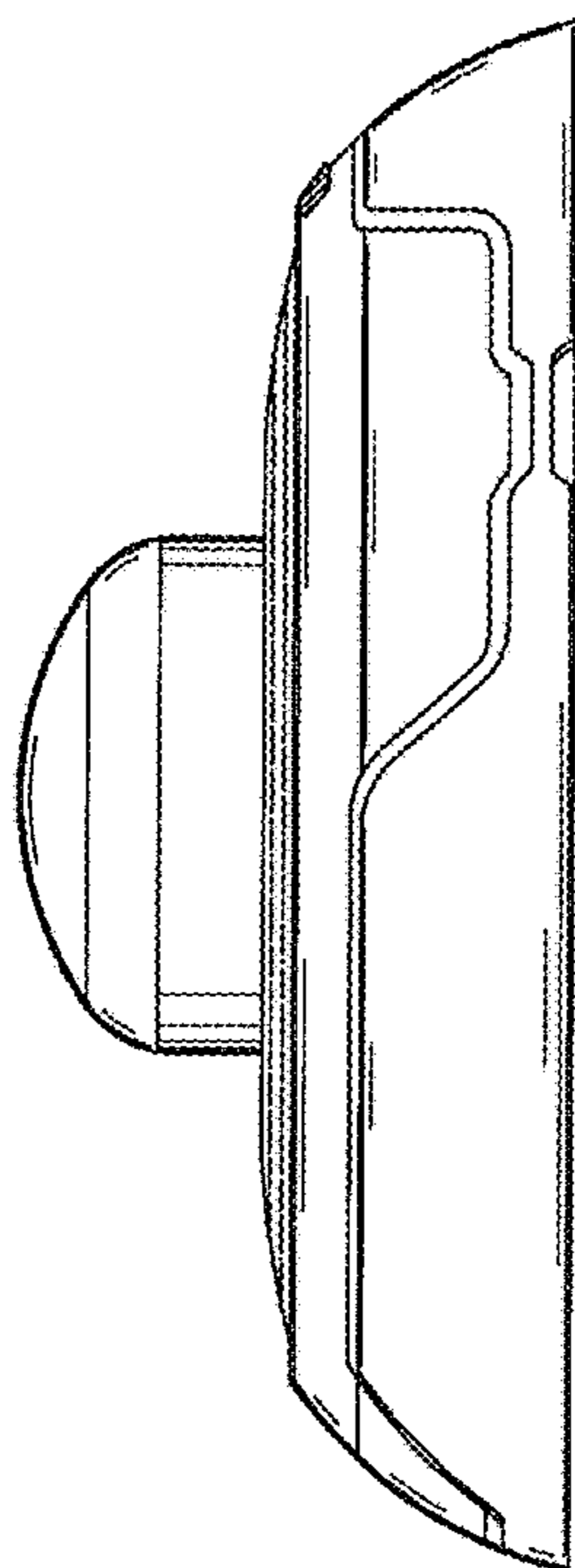


FIG. 3

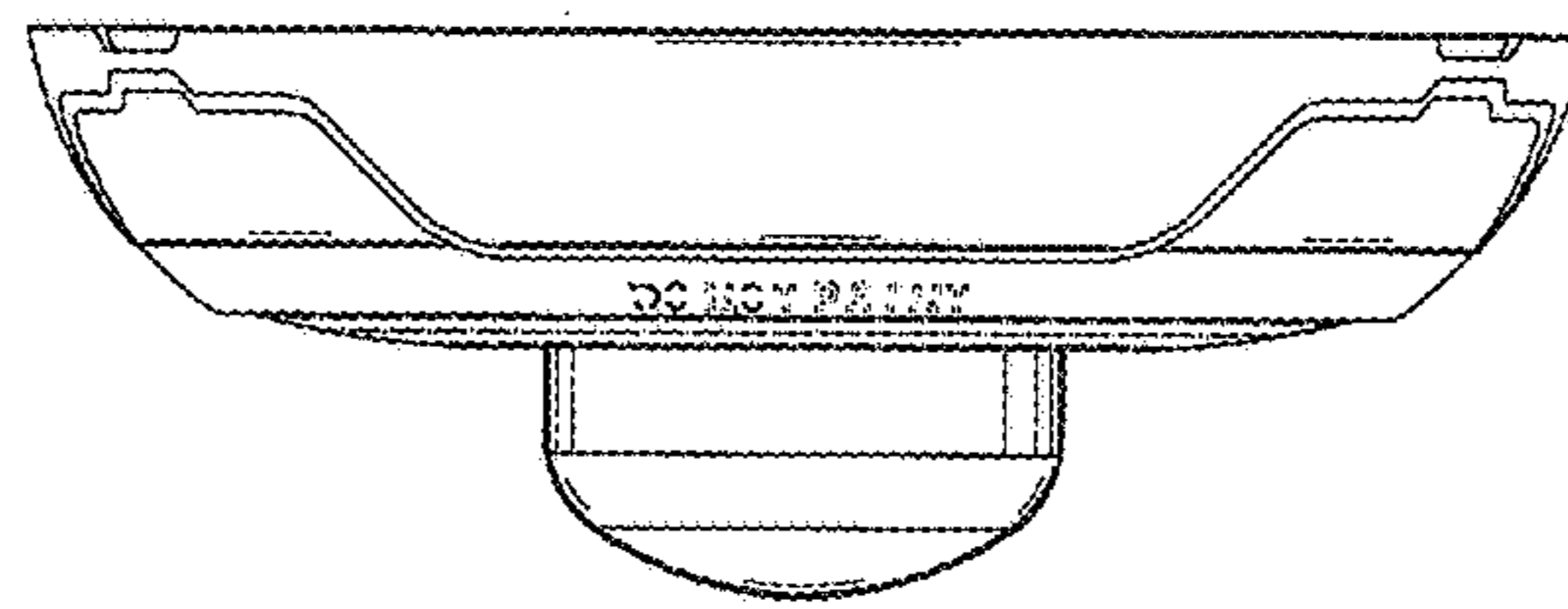


FIG. 4

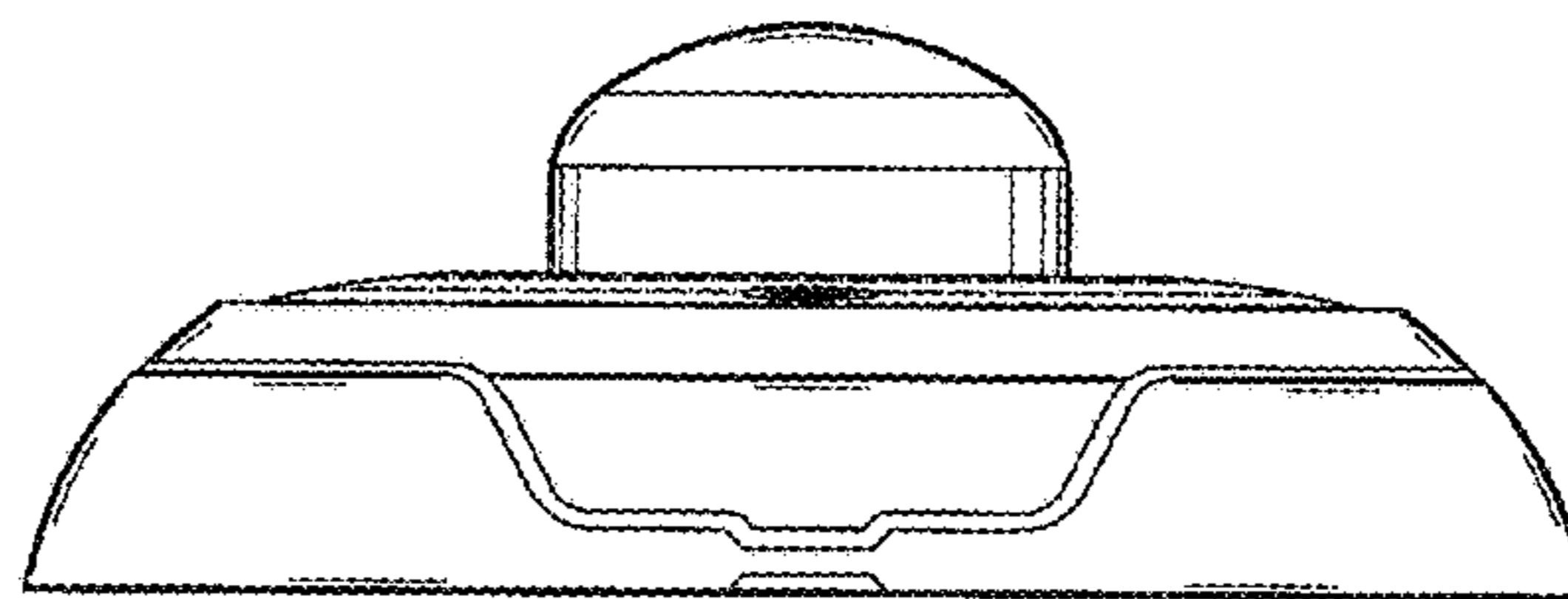


FIG. 5