



US00D786724S

(12) **United States Design Patent**  
**Seagle, Jr.**

(10) **Patent No.:** **US D786,724 S**

(45) **Date of Patent:** **\*\* May 16, 2017**

- (54) **PROXIMITY ALERT DEVICE**
- (71) Applicant: **David Tom Seagle, Jr.**, Lincolnton, NC (US)
- (72) Inventor: **David Tom Seagle, Jr.**, Lincolnton, NC (US)
- (\*\*) Term: **15 Years**
- (21) Appl. No.: **29/537,352**
- (22) Filed: **Aug. 25, 2015**
- (51) **LOC (10) Cl.** ..... **10-05**
- (52) **U.S. Cl.**  
USPC ..... **D10/106.1; D10/70; D10/106.92**
- (58) **Field of Classification Search**  
USPC ..... D10/65, 70, 104.1, 104.2, 106.1, 106.92  
CPC ..... G08B 21/0288; G08B 21/0291; G08B 21/0202; G08B 21/0438; G08B 21/0446; G08B 21/0453; G08B 21/0461; G08B 21/0469; G08B 21/0484; G08B 21/0492; G08B 21/08; G08B 21/10; G08B 21/12; G08B 21/14; G08B 21/16; G08B 21/18  
See application file for complete search history.

(56) **References Cited**  
U.S. PATENT DOCUMENTS

D311,868 S	11/1990	Armstrong
5,557,259 A	9/1996	Musa
5,812,056 A	9/1998	Law

5,841,352 A	11/1998	Prakash	
6,703,939 B2 *	3/2004	Lehrman	A61B 5/0205 340/426.1
6,774,787 B1	8/2004	Melbourne	
7,259,671 B2	8/2007	Ganley	
7,479,889 B2	1/2009	Kazdin	
7,715,831 B2	5/2010	Wakefield	
D693,250 S *	11/2013	Anderssen	D10/65
D729,655 S *	5/2015	Bauer	D10/70
D736,107 S *	8/2015	Lee	D10/70
D744,882 S *	12/2015	Jung	D10/70
D747,229 S *	1/2016	Perez	D10/104.1
2005/0012591 A1	1/2005	Tomljenovic	
2012/0225633 A1	9/2012	Nichols	

**FOREIGN PATENT DOCUMENTS**

WO WO2004095396 11/2004

\* cited by examiner

*Primary Examiner* — Antoine D Davis

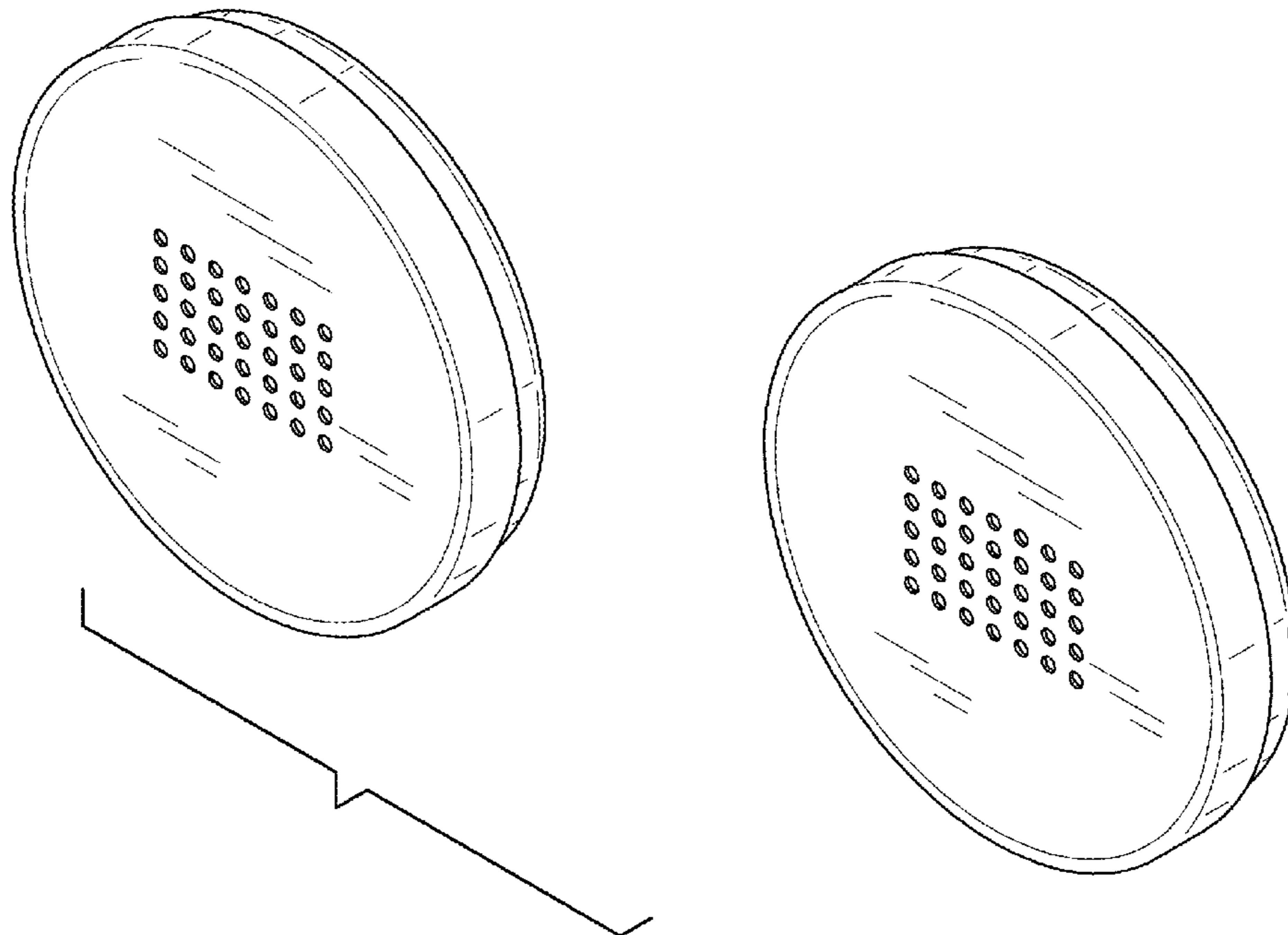
(57) **CLAIM**

I claim the ornamental design for a proximity alert device, as shown and described.

**DESCRIPTION**

FIG. 1 is a front view of the proximity alert device.  
FIG. 2 is a back view of the claimed design.  
FIG. 3 is a side view of the claimed design.  
FIG. 4 is a top view of the claimed design.  
FIG. 5 is a bottom view of the claimed design; and,  
FIG. 6 is a perspective view of the claimed design.

**1 Claim, 4 Drawing Sheets**



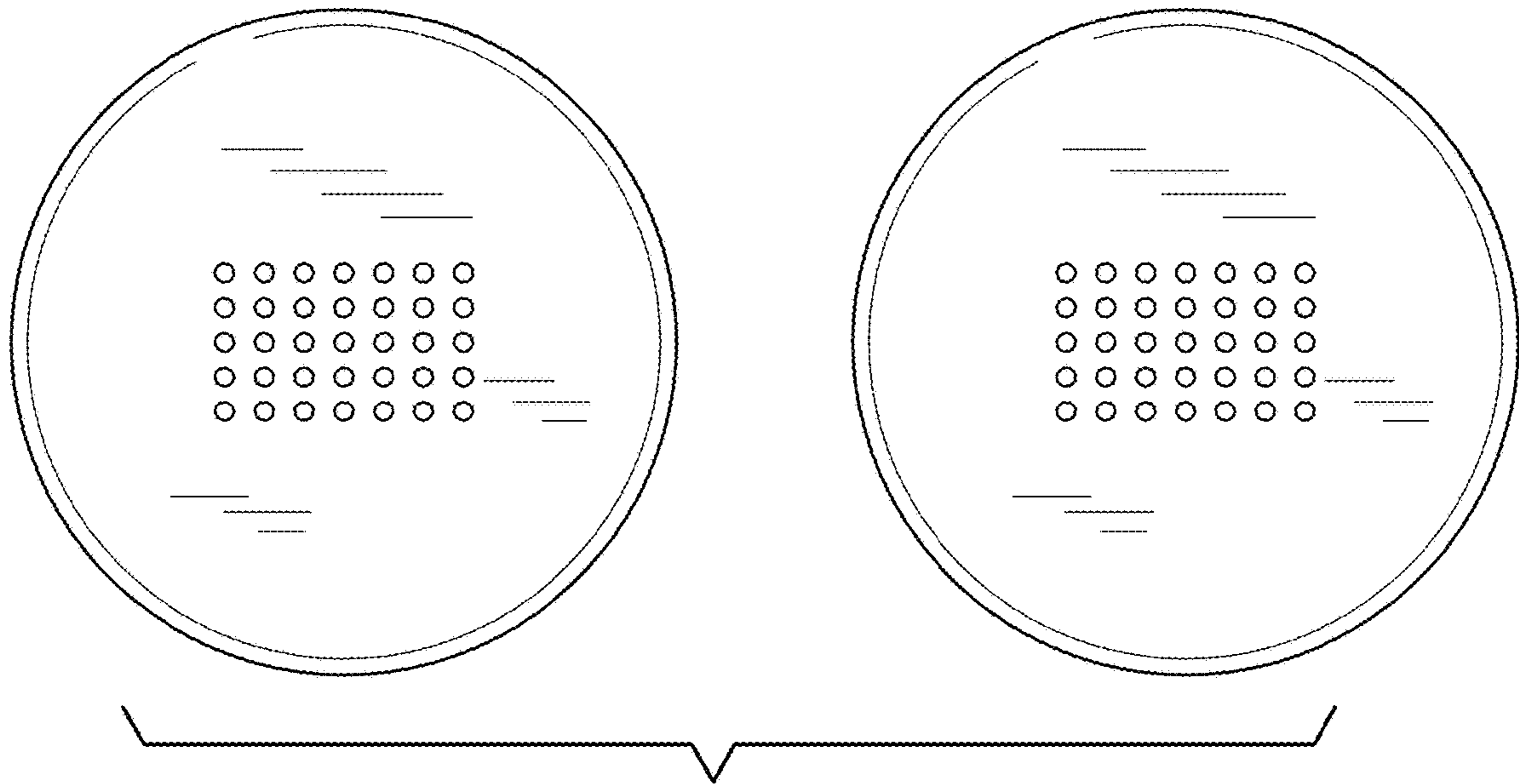


FIG. 1

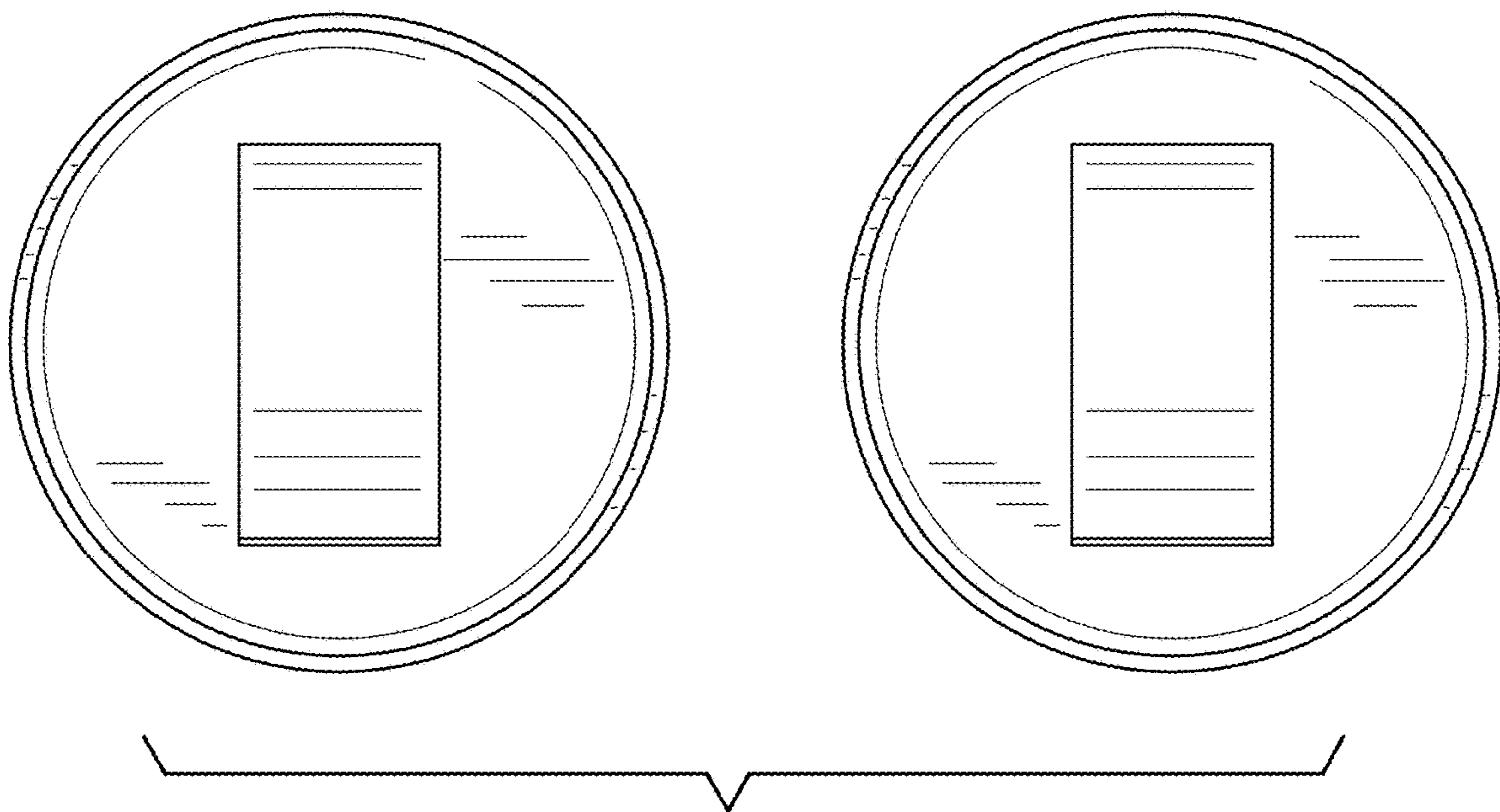


FIG. 2

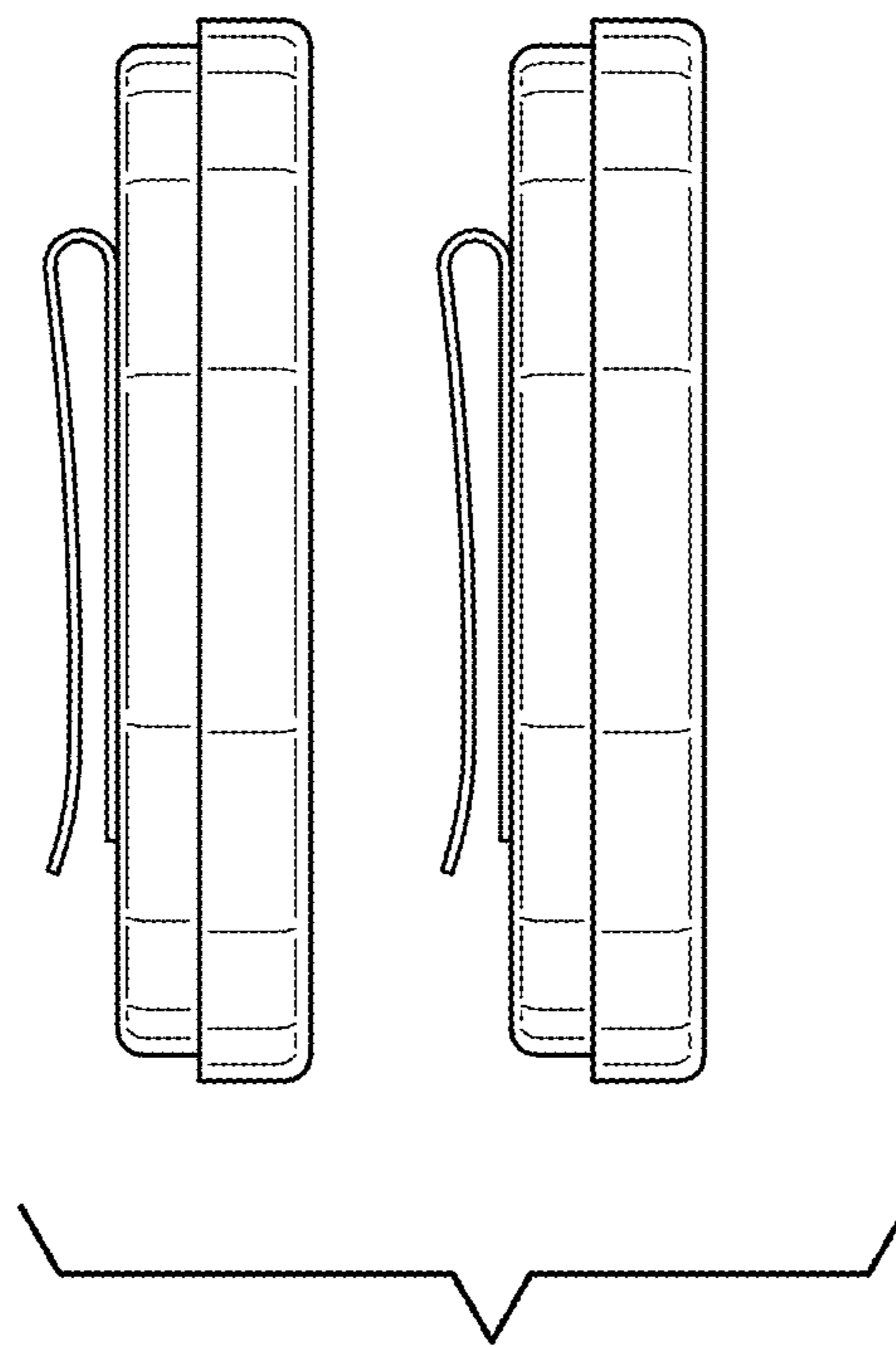


FIG. 3

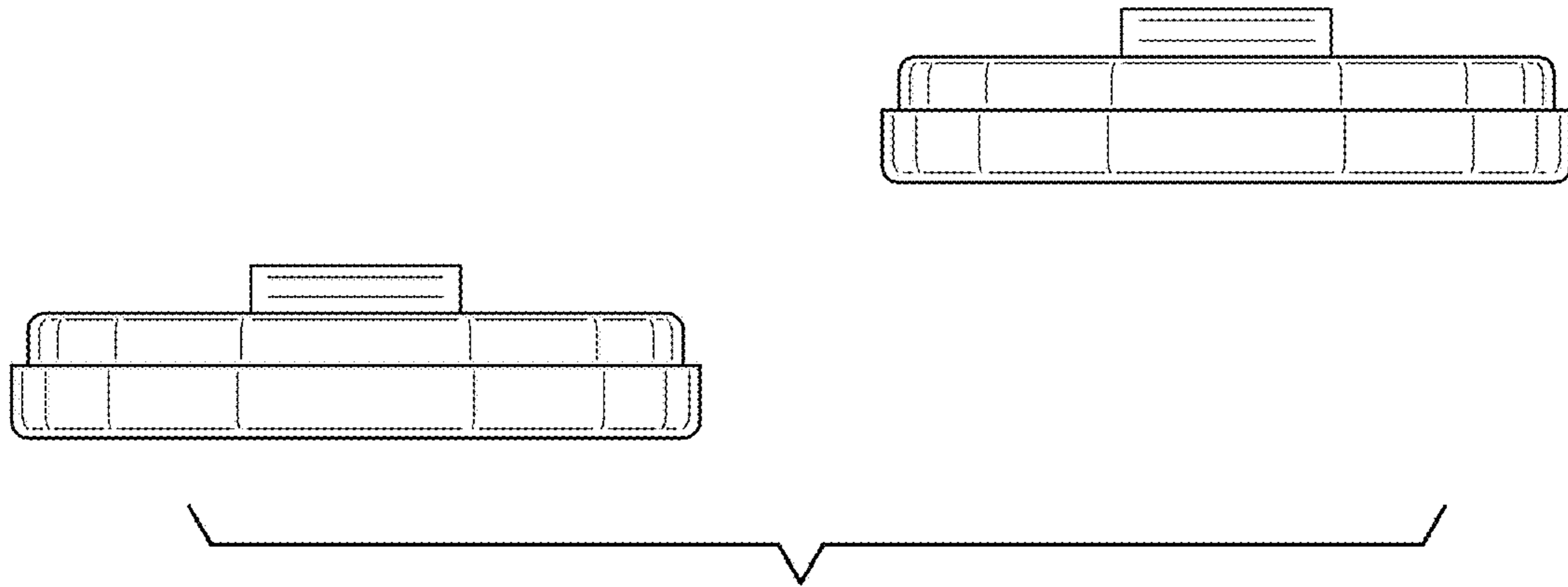


FIG. 4

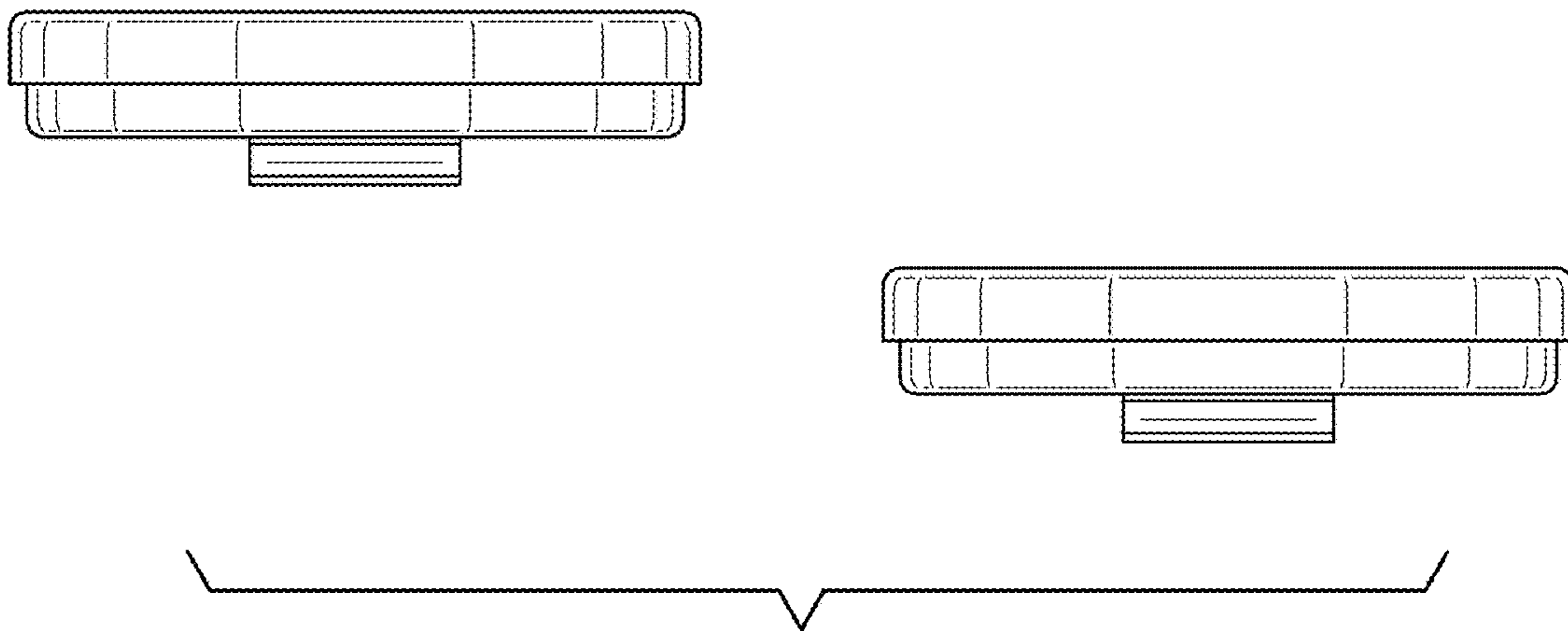


FIG. 5

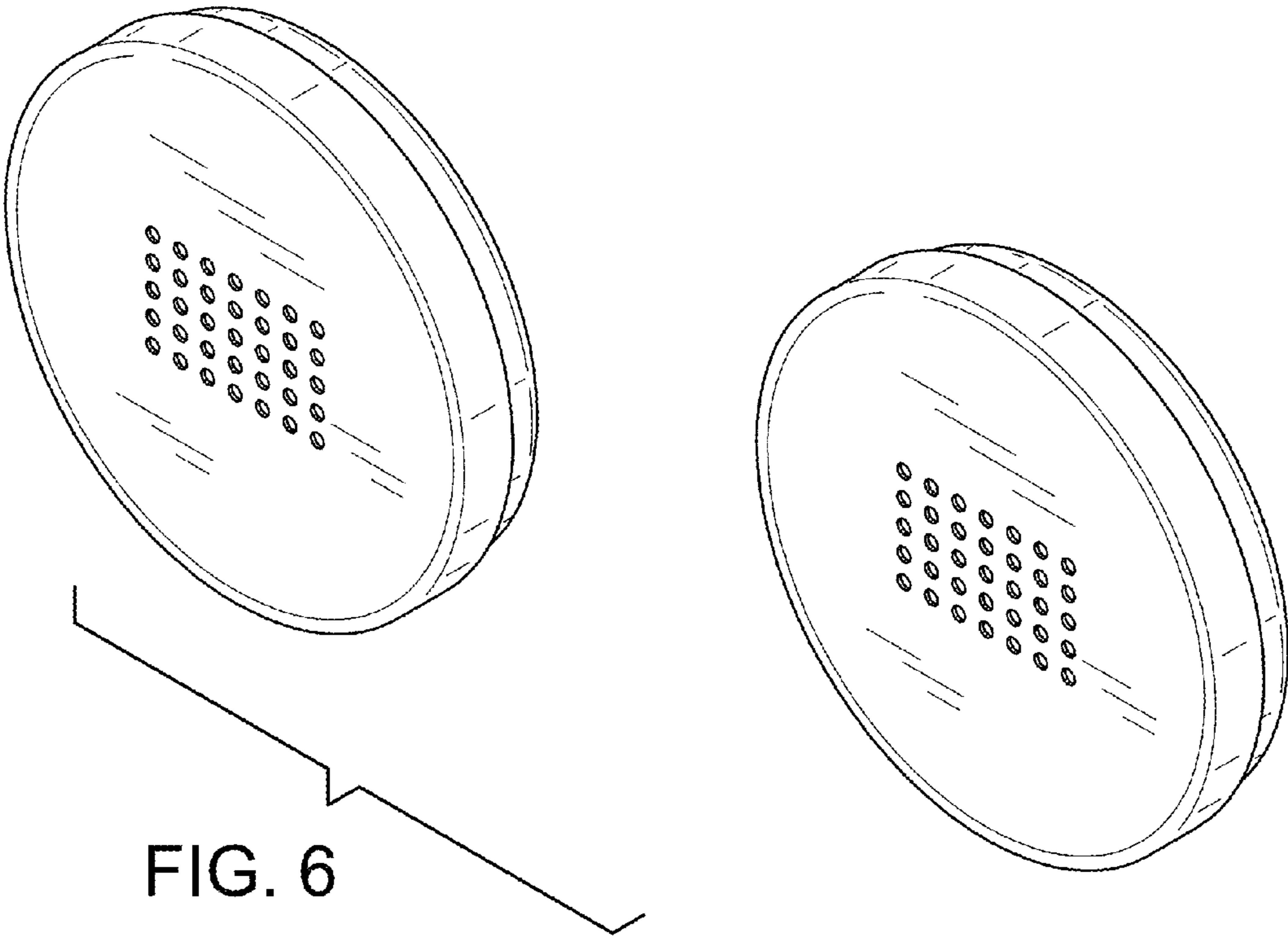


FIG. 6