



US00D786720S

(12) **United States Design Patent** (10) **Patent No.:** **US D786,720 S**  
**Lockstedt et al.** (45) **Date of Patent:** **\*\* May 16, 2017**

(54) **ELECTRICAL MEASURING DEVICE**

(71) Applicant: **Phoenix Contact GmbH & Co. KG,**  
Blomberg (DE)

(72) Inventors: **Kay Lockstedt,** Blomberg (DE);  
**Markus Becker,** Paderborn (DE);  
**Rainer Gockel,** Bad Pyrmont (DE);  
**Andreas Senger,** Altenbeken (DE)

(73) Assignee: **PHOENIX CONTACT GMBH & CO.**  
**KG,** Blomberg (DE)

(\*\*) Term: **15 Years**

(21) Appl. No.: **29/546,232**

(22) Filed: **Nov. 20, 2015**

(30) **Foreign Application Priority Data**

Jun. 8, 2015	(EM)	002714378-001
Jun. 8, 2015	(EM)	002714378-002
Jun. 8, 2015	(EM)	002714378-003
Jun. 8, 2015	(EM)	002714378-004
Jun. 8, 2015	(EM)	002714378-005
Jun. 8, 2015	(EM)	002714378-006
Jun. 8, 2015	(EM)	002714378-007
Jun. 8, 2015	(EM)	002714378-008
Jun. 8, 2015	(EM)	002714378-009
Jun. 8, 2015	(EM)	002714378-010
Jun. 8, 2015	(EM)	002714378-011

(51) **LOC (10) Cl.** ..... **10-04**

(52) **U.S. Cl.**  
USPC ..... **D10/79**

(58) **Field of Classification Search**

USPC ..... D10/79  
CPC ..... G01R 15/181; H01F 27/30  
See application file for complete search history.

(56) **References Cited**

U.S. PATENT DOCUMENTS

8,878,521 B2\* 11/2014 Juge ..... G01R 15/181  
324/126

\* cited by examiner

*Primary Examiner* — Antoine D Davis

(74) *Attorney, Agent, or Firm* — Leydig, Voit & Mayer,  
Ltd.

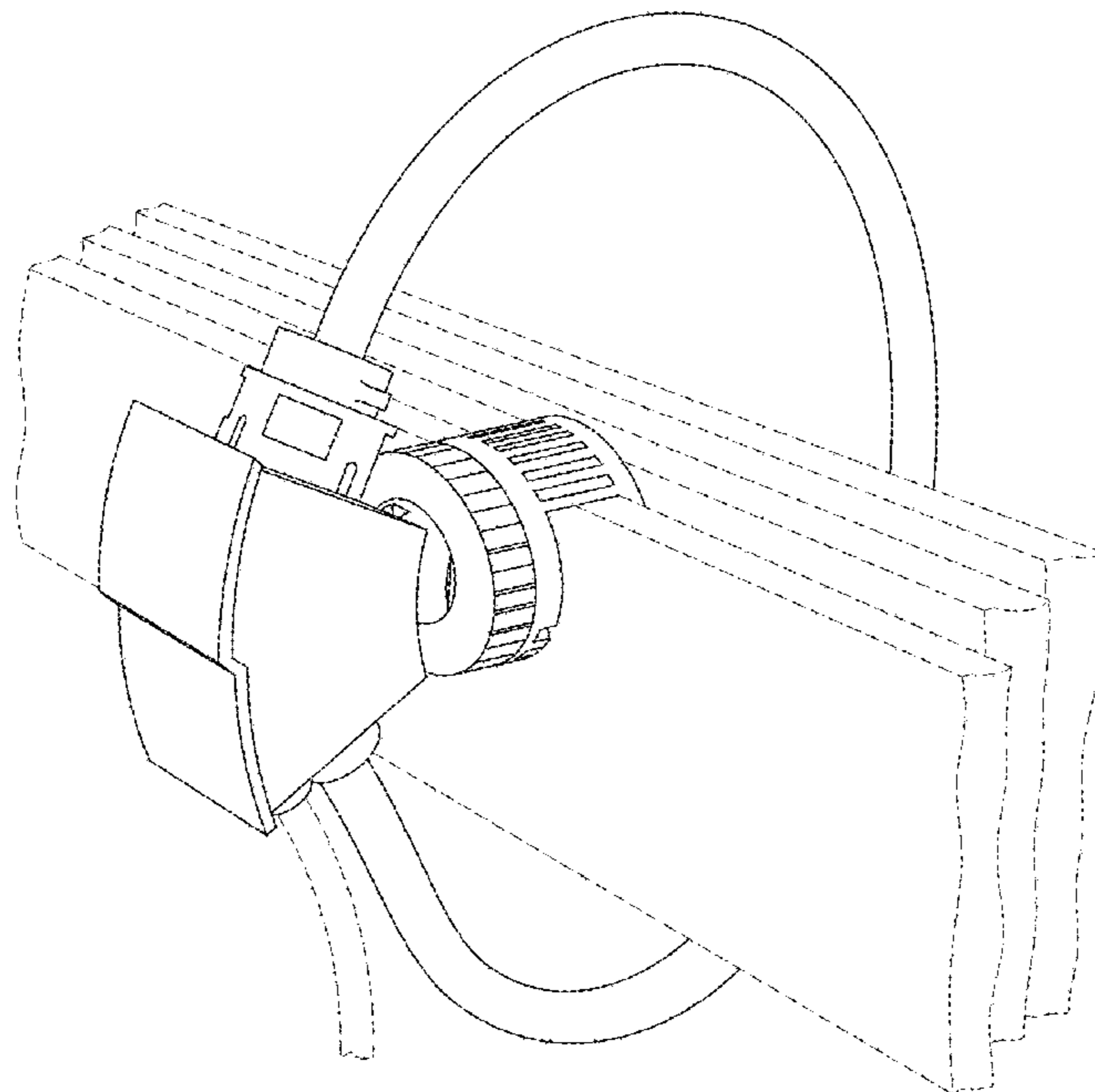
(57) **CLAIM**

The ornamental design for an electrical measuring device, as shown and described.

**DESCRIPTION**

FIG. 1 is a top left rear perspective view of the electrical measuring device showing our new design, with cable portion connected, mounted on an environment; FIG. 2 is a left side elevational view thereof with cable portion connected, mounted on an environment; FIG. 3 is a bottom left rear perspective view of the mounting bracket portion thereof; FIG. 4 is a bottom left front perspective exploded view thereof, with disconnected cable shown broken-away; and, FIG. 5 is a left side elevational exploded view thereof, with disconnected cable shown broken-away. Any broken lines in the drawings illustrate unclaimed subject matter and/or environment and form no part of the claimed design.

**1 Claim, 5 Drawing Sheets**



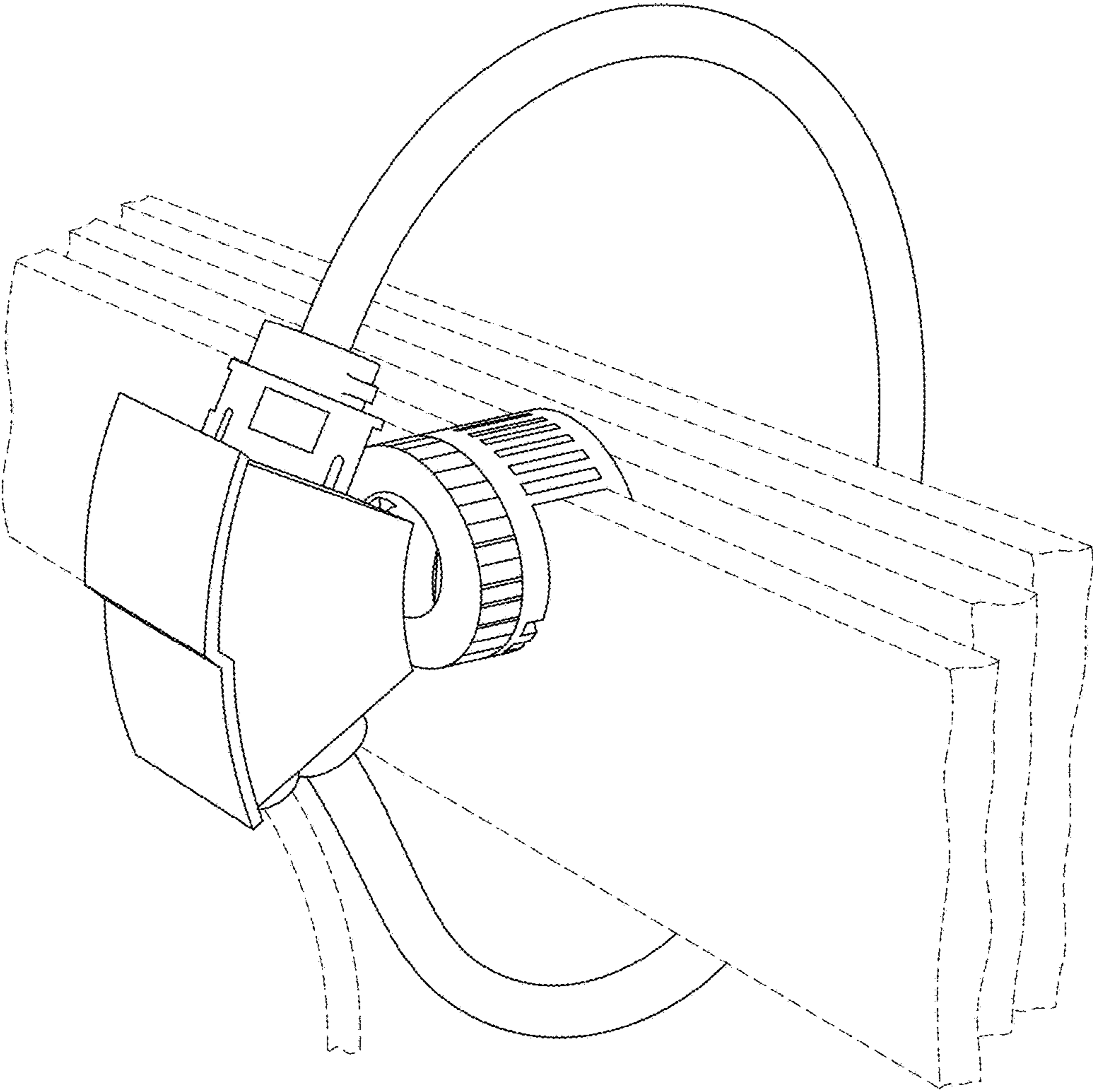


FIG. 1

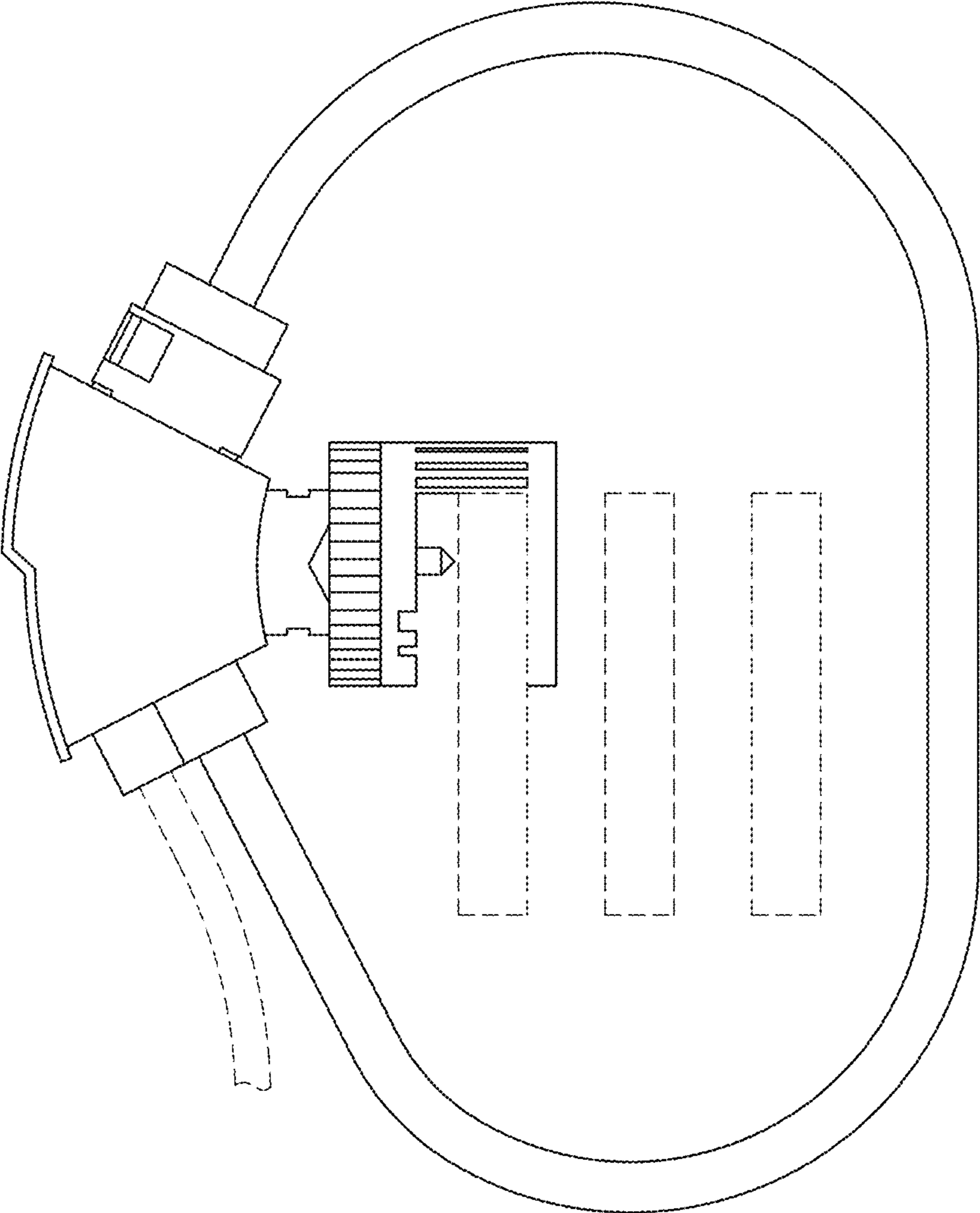


FIG. 2

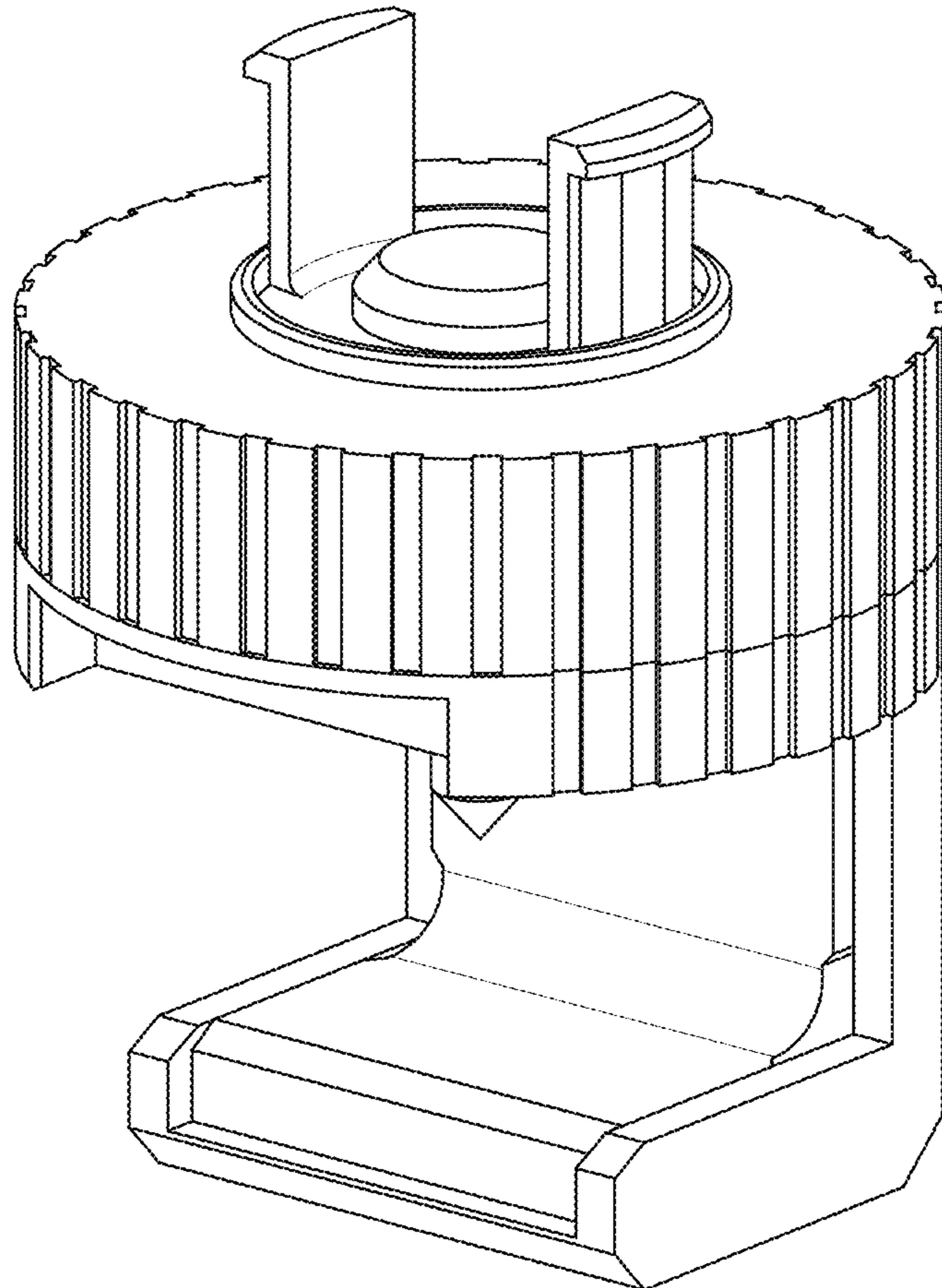


FIG. 3

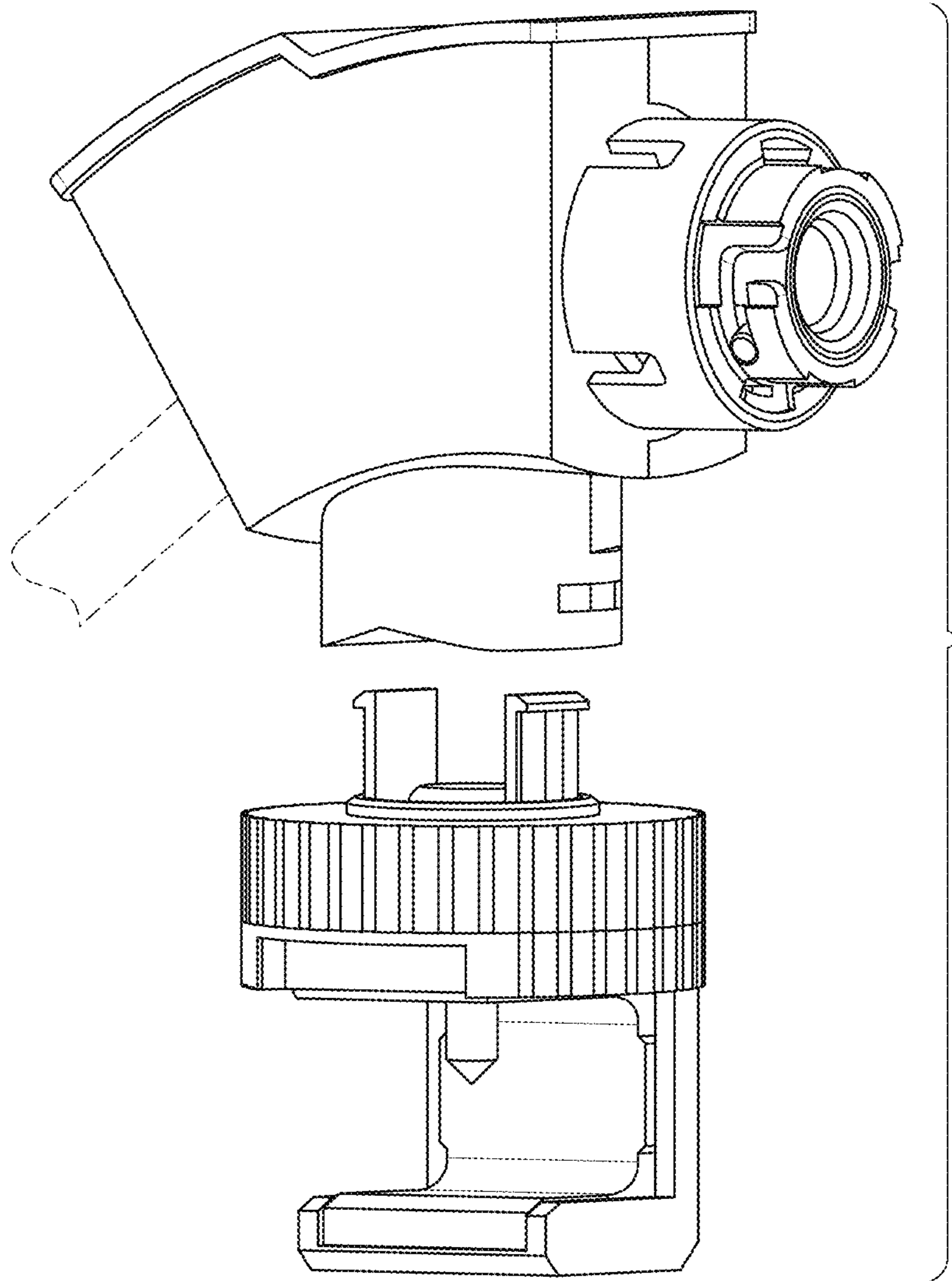


FIG. 4



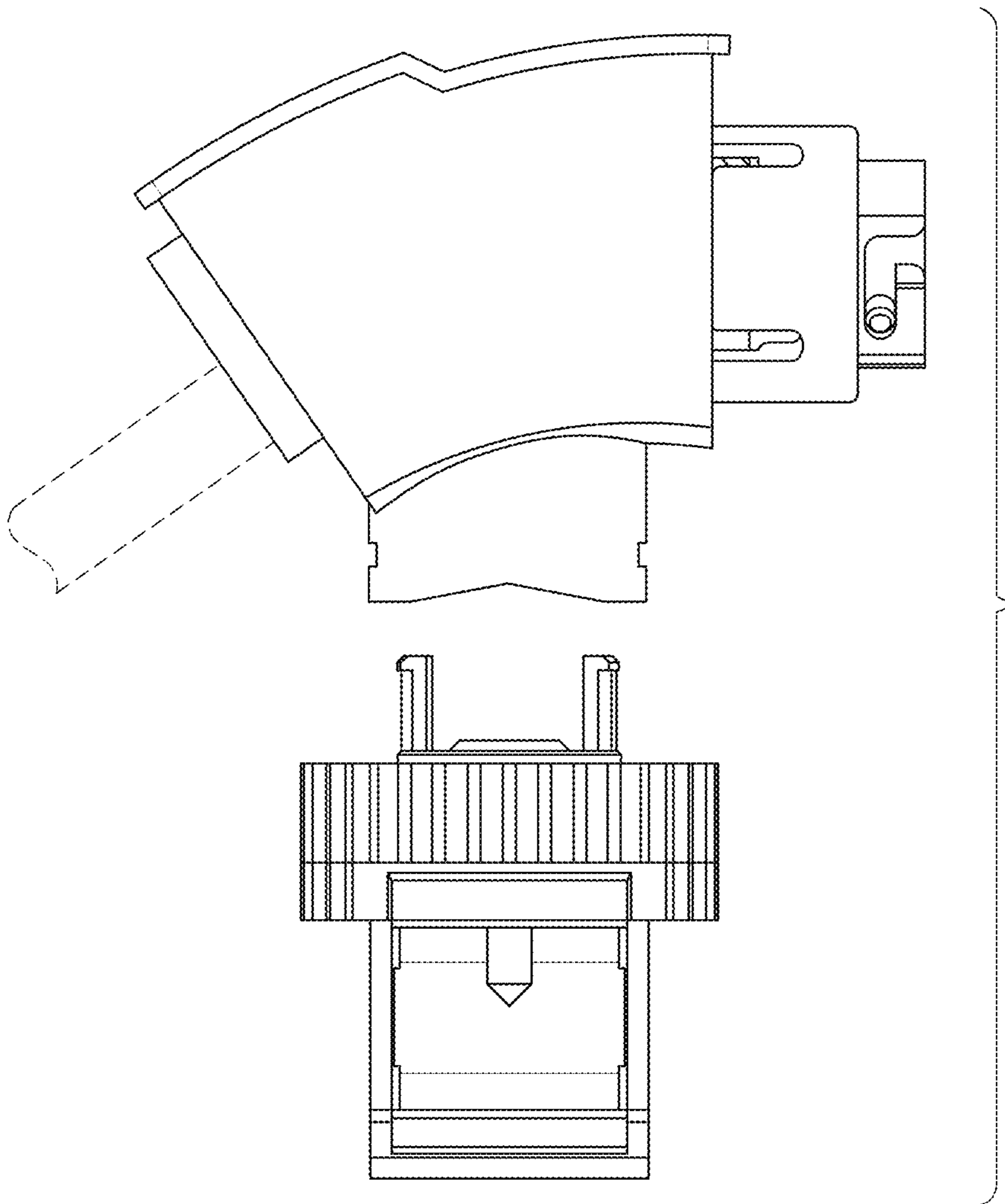


FIG. 5