



US00D786719S

(12) **United States Design Patent** (10) **Patent No.:** **US D786,719 S**  
**Woerner et al.** (45) **Date of Patent:** **\*\* May 16, 2017**

(54) **CALIBRATOR**

(71) Applicant: **WIKA Alexander Wiegand SE & Co. KG, Klingenberg (DE)**

(72) Inventors: **Marco Woerner, Klingenberg (DE); Rupert Blaesi, Klingenberg (DE)**

(73) Assignee: **WIKA Alexander Wiegand SE & Co. KG, Klingenberg (DE)**

(\*\*) Term: **14 Years**

(21) Appl. No.: **29/526,122**

(22) Filed: **May 6, 2015**

(30) **Foreign Application Priority Data**

Nov. 6, 2014 (EM) ..... 002572453

(51) **LOC (10) Cl.** ..... **10-04**

(52) **U.S. Cl.**  
USPC ..... **D10/78**

(58) **Field of Classification Search**  
USPC ..... D10/46, 78; 324/76.12, 426, 500;  
340/439; 701/119, 182, 183;  
714/E11.207; 717/136, 142, 143  
CPC ..... G01C 21/00; G01C 27/005; B60K 35/00;  
B60K 37/02; B60K 37/06

See application file for complete search history.

(56) **References Cited**

U.S. PATENT DOCUMENTS

D443,538 S *	6/2001	Wrisley .....	D10/78
7,111,491 B2 *	9/2006	Kosh .....	G01L 27/005
			73/1.57
8,339,254 B2 *	12/2012	Drew .....	B60K 35/00
			340/438

\* cited by examiner

*Primary Examiner* — Antoine D Davis

(74) *Attorney, Agent, or Firm* — Muncy, Geissler, Olds & Lowe, P.C.

(57) **CLAIM**

The ornamental design for a calibrator, as shown and described.

**DESCRIPTION**

FIG. 1 is a front perspective view of a calibrator according to the present invention.

FIG. 2 is a left side view of the calibrator of FIG. 1.

FIG. 3 is a right side view of the calibrator of FIG. 1.

FIG. 4 is a top view of the calibrator of FIG. 1.

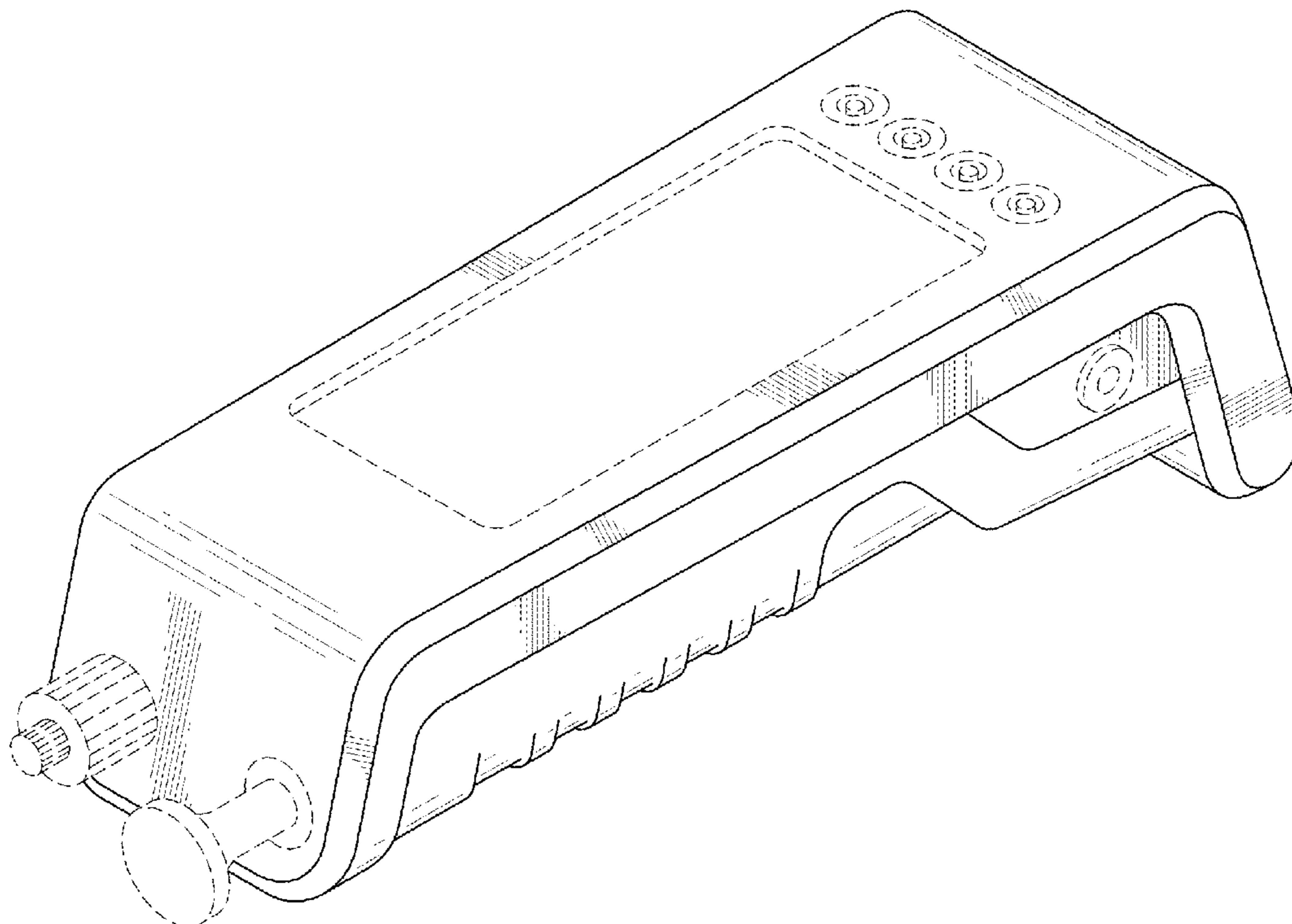
FIG. 5 is a bottom view of the calibrator of FIG. 1.

FIG. 6 is a front view of the calibrator of FIG. 1; and,

FIG. 7 is a rear view of the calibrator of FIG. 1.

The dashed lines illustrate environment that does not form a part of the present invention, and no claim is made to the material illustrated with dashed lines.

**1 Claim, 7 Drawing Sheets**



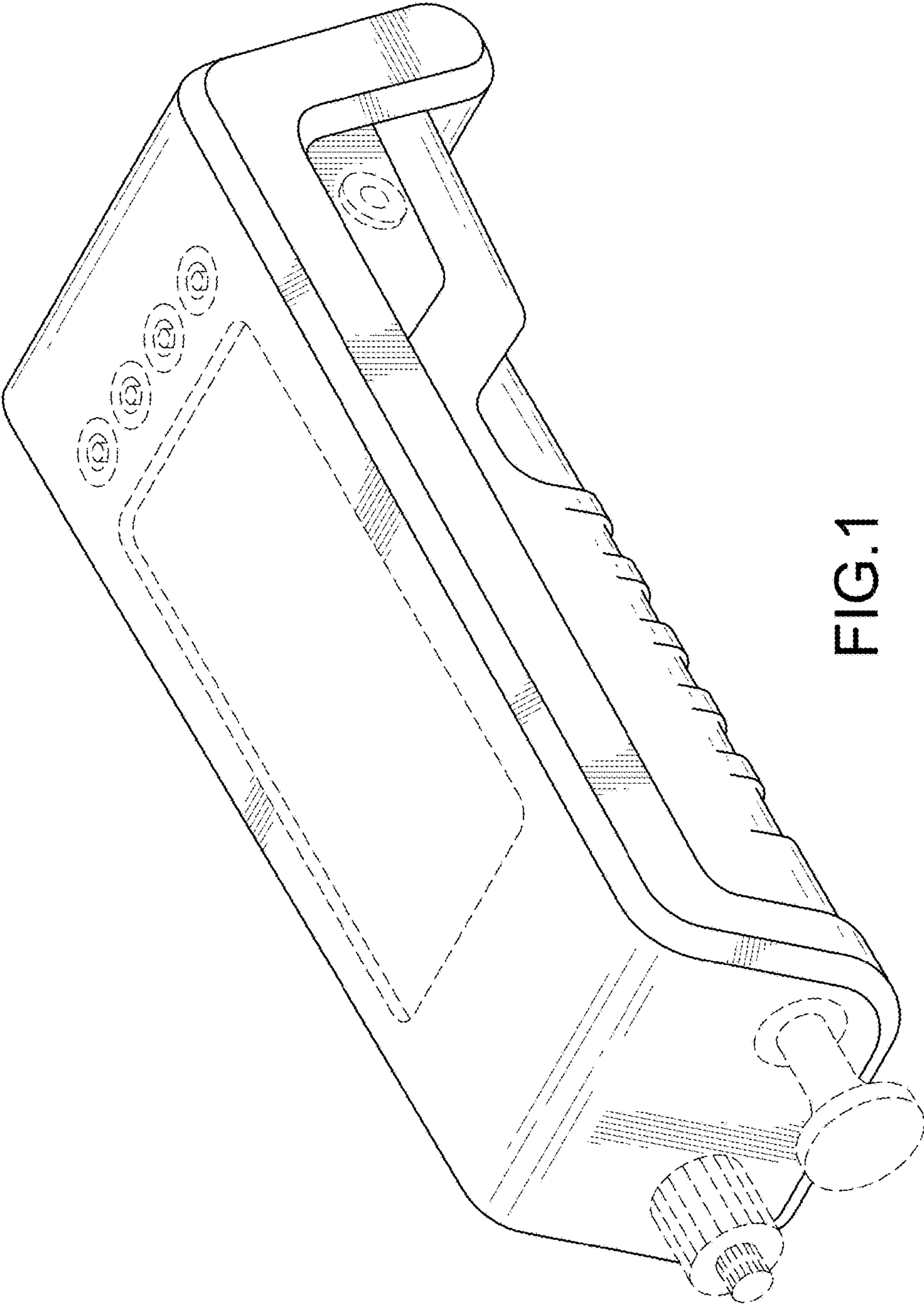


FIG.1

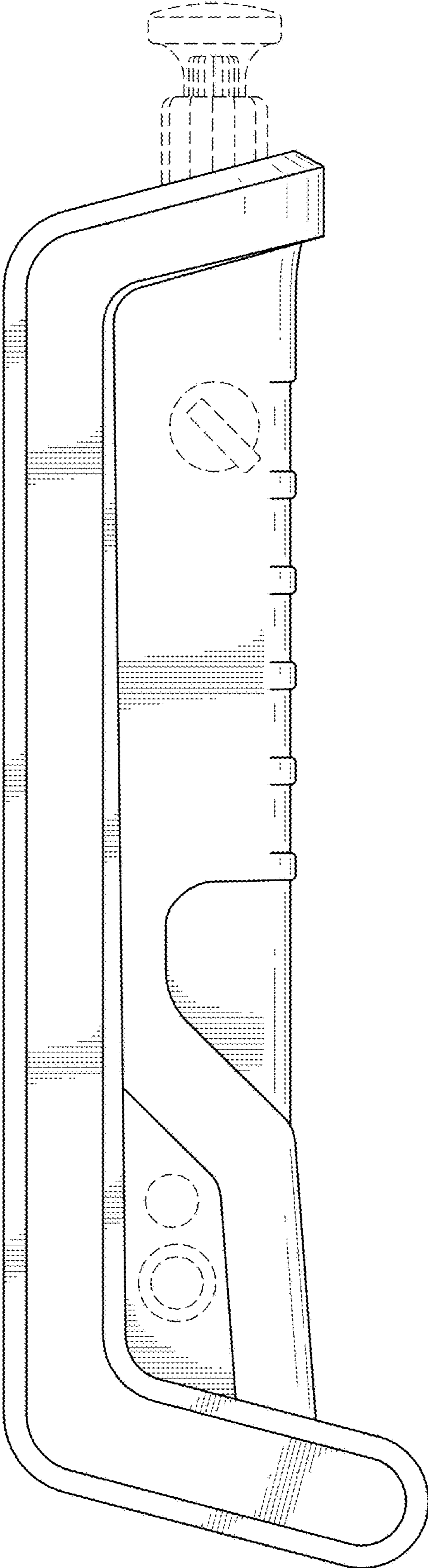


FIG.2

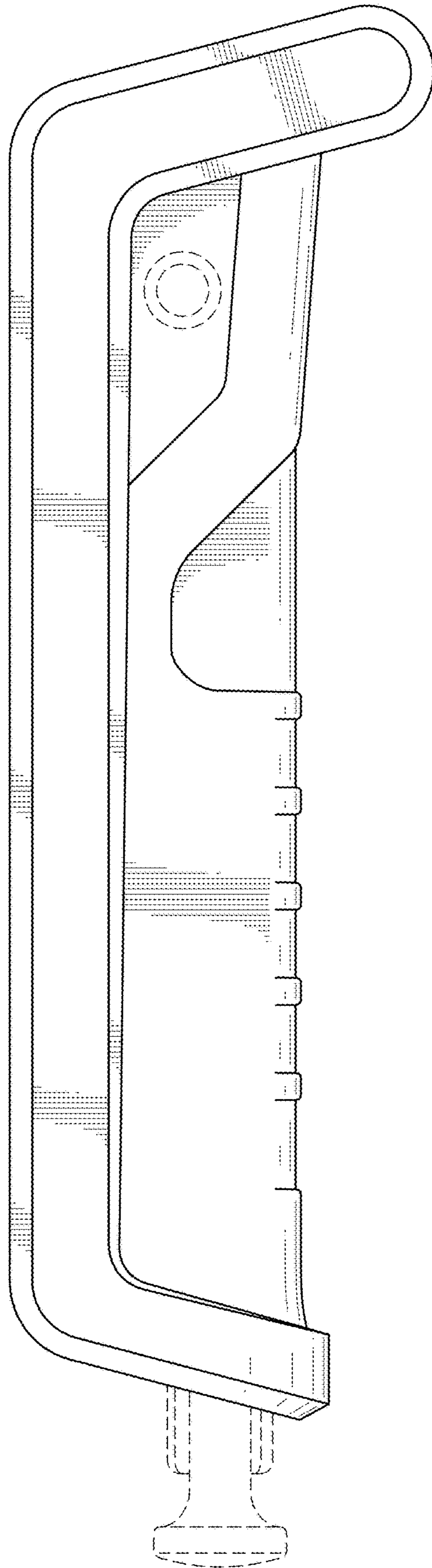


FIG. 3

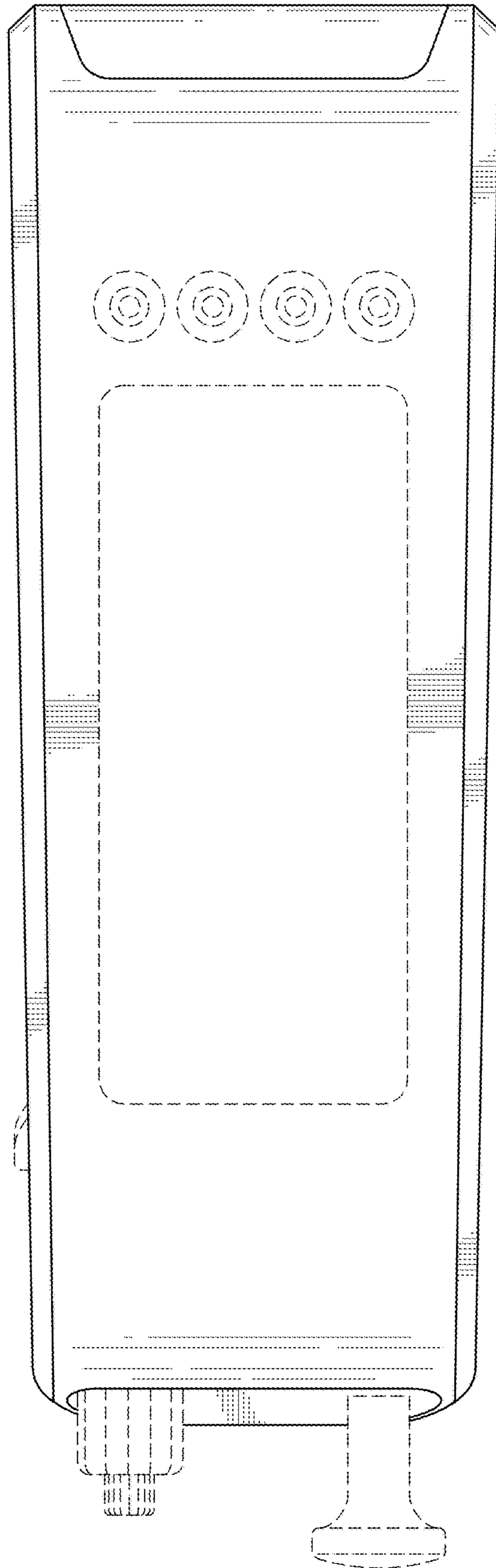


FIG.4

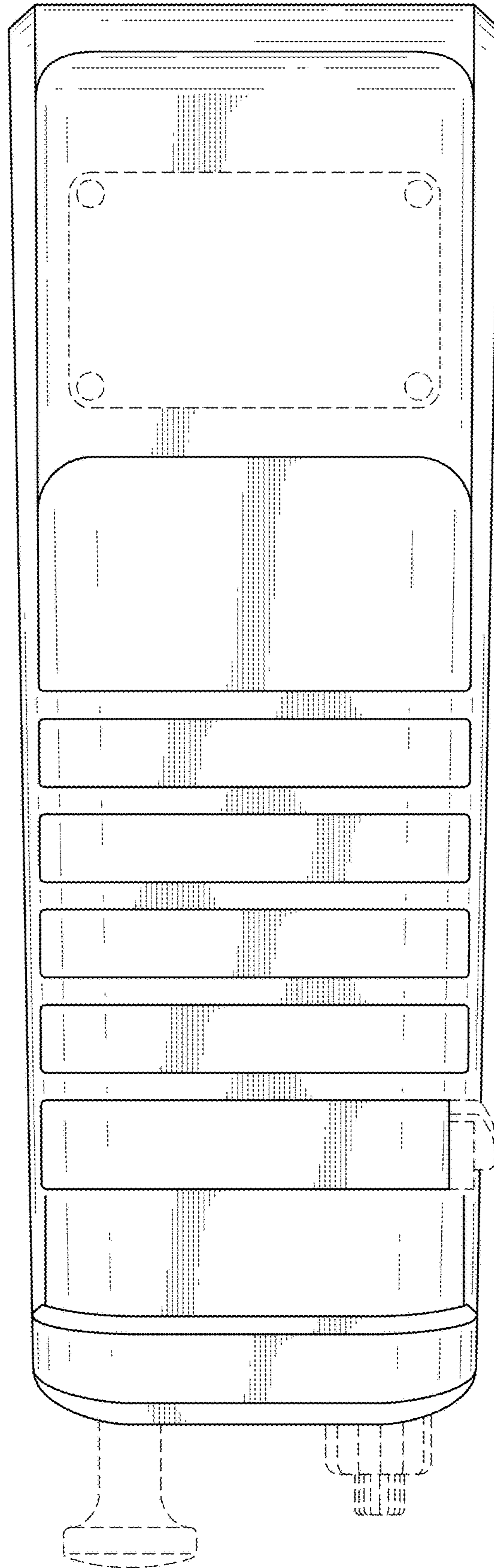


FIG.5

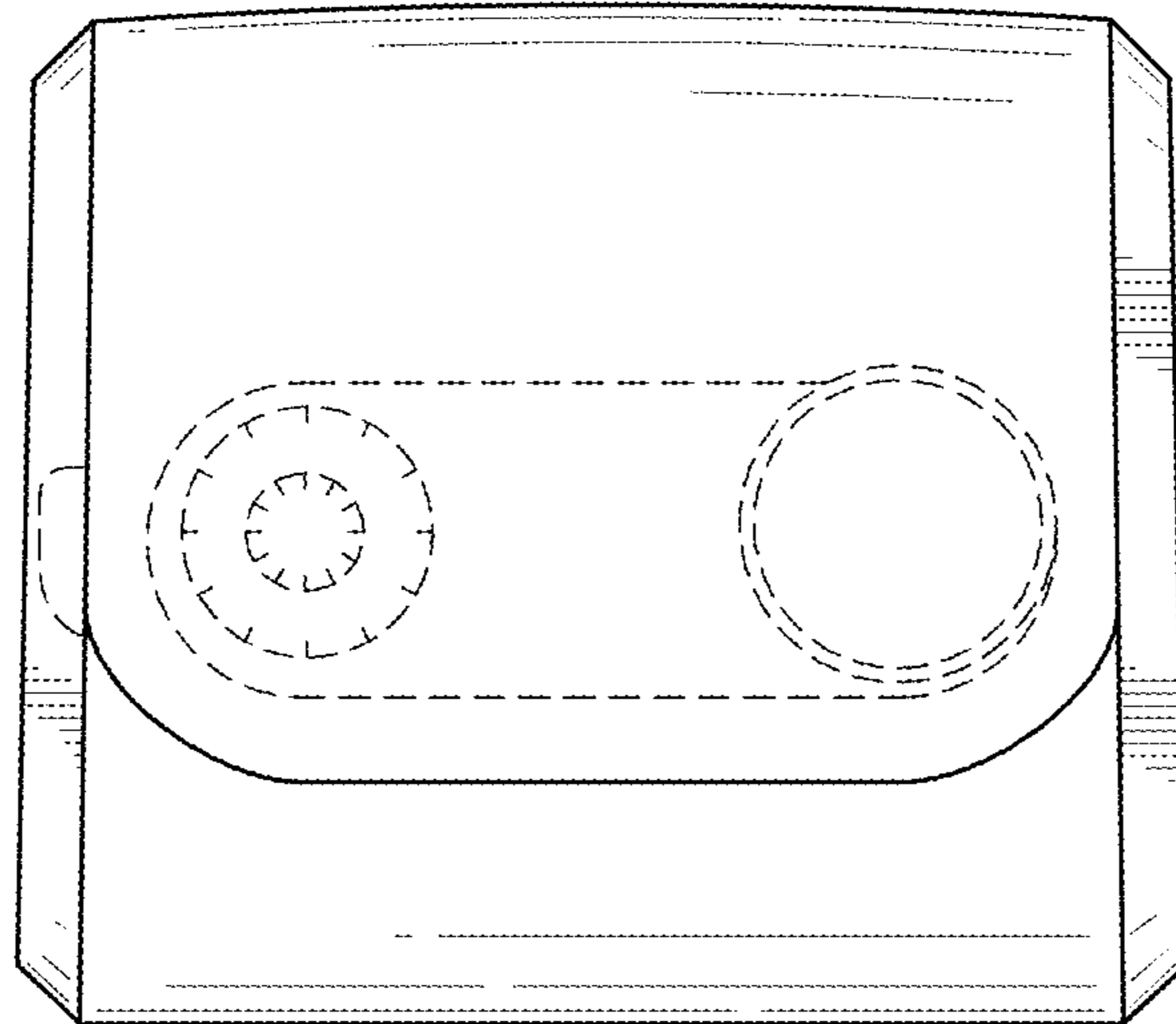


FIG.6

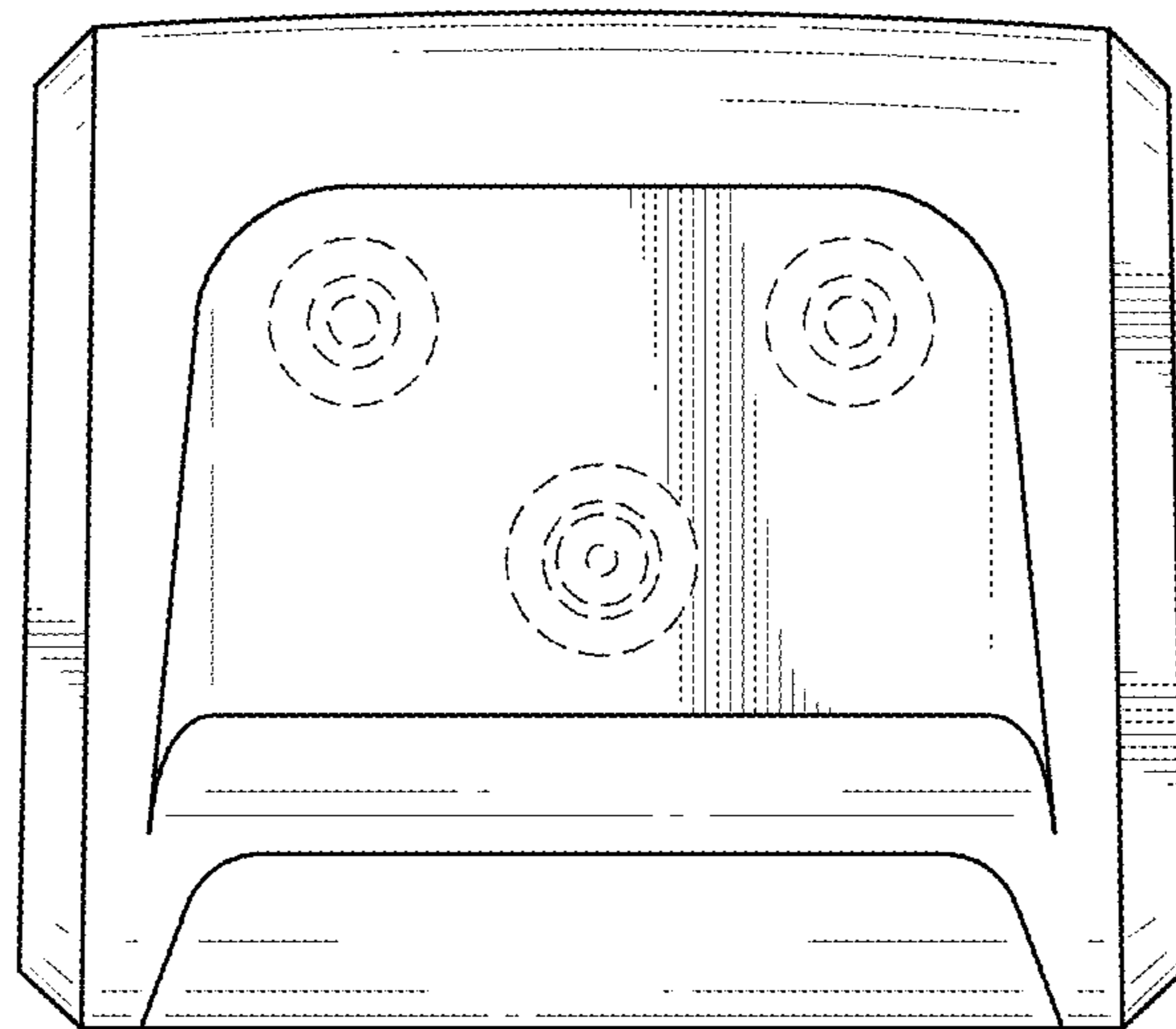


FIG.7