



US00D786718S

(12) **United States Design Patent**
Burge et al.

(10) **Patent No.:** **US D786,718 S**
(45) **Date of Patent:** **** May 16, 2017**

(54) **LEVEL**

FOREIGN PATENT DOCUMENTS

(71) Applicant: **Milwaukee Electric Tool Corporation**,
Brookfield, WI (US)

TW M436831 9/2012

(72) Inventors: **Joseph William Burge**, Milwaukee, WI
(US); **Adam Christopher Resnick**,
Waukesha, WI (US)

OTHER PUBLICATIONS

Johnson website material, Torpedo Levels, available at <http://www.johnsonlevel.com/C/22/TorpedoLevels>, 2 pages, accessed on Dec. 17, 2015, representative of products that may have been publically available prior to Dec. 8, 2015.

(73) Assignee: **Milwaukee Electric Tool Corporation**,
Brookfield, WI (US)

(Continued)

(**) Term: **15 Years**

Primary Examiner — Antoine D Davis

(21) Appl. No.: **29/547,846**

(74) *Attorney, Agent, or Firm* — Reinhart Boerner Van Deuren s.c.

(22) Filed: **Dec. 8, 2015**

(51) **LOC (10) Cl.** **10-04**

(57) **CLAIM**

(52) **U.S. Cl.**
USPC **D10/69**

We claim the ornamental design for a level, as shown and described.

(58) **Field of Classification Search**
USPC D10/69

CPC ... G01C 9/24; G01C 9/26; G01C 9/28; G01C
9/30; G01C 9/32; G01C 9/34; G01C 9/36

See application file for complete search history.

DESCRIPTION

(56) **References Cited**

U.S. PATENT DOCUMENTS

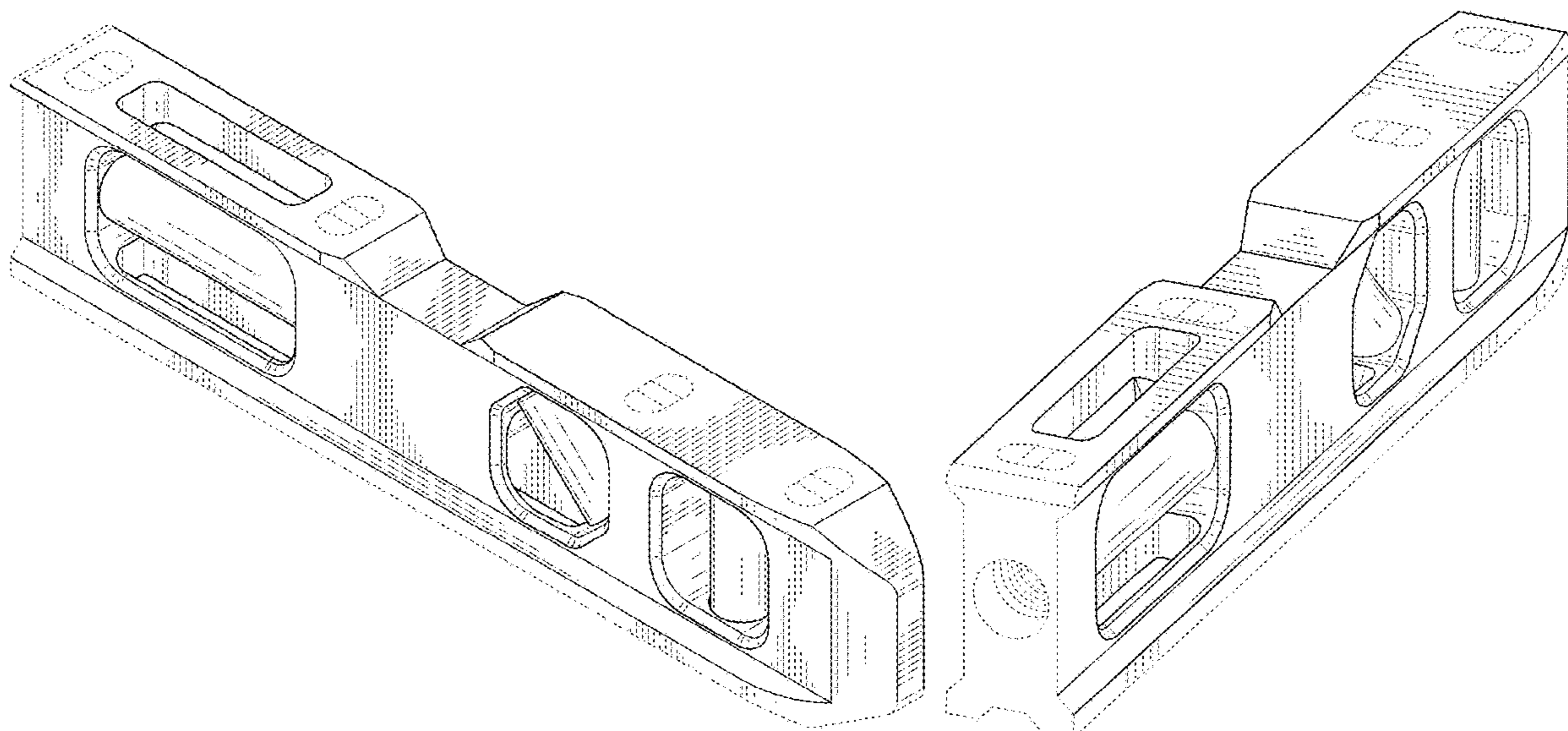
2,789,363	A	4/1957	Miley	
3,213,545	A	10/1965	Wright	
4,593,475	A	6/1986	Mayes	
6,568,095	B2	5/2003	Snyder	
7,086,166	B2	8/2006	Helda et al.	
D580,283	S *	11/2008	Liao	D10/69
7,946,045	B2	5/2011	Allemand	
8,061,051	B2	11/2011	Allemand	
8,336,221	B2	12/2012	Steele et al.	
8,631,584	B2	1/2014	Steele et al.	
8,910,390	B2	12/2014	Steele et al.	
8,914,987	B2	12/2014	Sanchez	
8,925,212	B2	1/2015	Allemand	
9,021,710	B2	5/2015	Silerberg	

(Continued)

FIG. 1 is a right side perspective view from above of another embodiment of the claimed design;
FIG. 2 is a right side view of the claimed design of FIG. 1;
FIG. 3 is a left side view of the claimed design of FIG. 1;
FIG. 4 is a top view of the claimed design of FIG. 1;
FIG. 5 is a bottom view of the claimed design of FIG. 1;
FIG. 6 is a rear view of the claimed design of FIG. 1;
FIG. 7 is a front view of the claimed design of FIG. 1;
FIG. 8 is a right side perspective view from below of the claimed design of FIG. 1; and,
FIG. 9 is a rear perspective view from above of the claimed design of FIG. 1.

The ornamental design which is claimed is shown in solid lines in the drawings. The broken lines in the drawings are for illustrative purposes only and form no part of the claimed design.

1 Claim, 9 Drawing Sheets



(56)

References Cited

U.S. PATENT DOCUMENTS

D751,428 S * 3/2016 Johnson D10/69
2015/0113819 A1 4/2015 Silberberg

OTHER PUBLICATIONS

Empire website material, Torpedo Levels, available at <http://www.empirelevel.com/levels/torpedo-levels/index.php>, 5 pages, accessed on Dec. 17, 2015, representative of products that may have been publically available prior to Dec. 8, 2015.

* cited by examiner

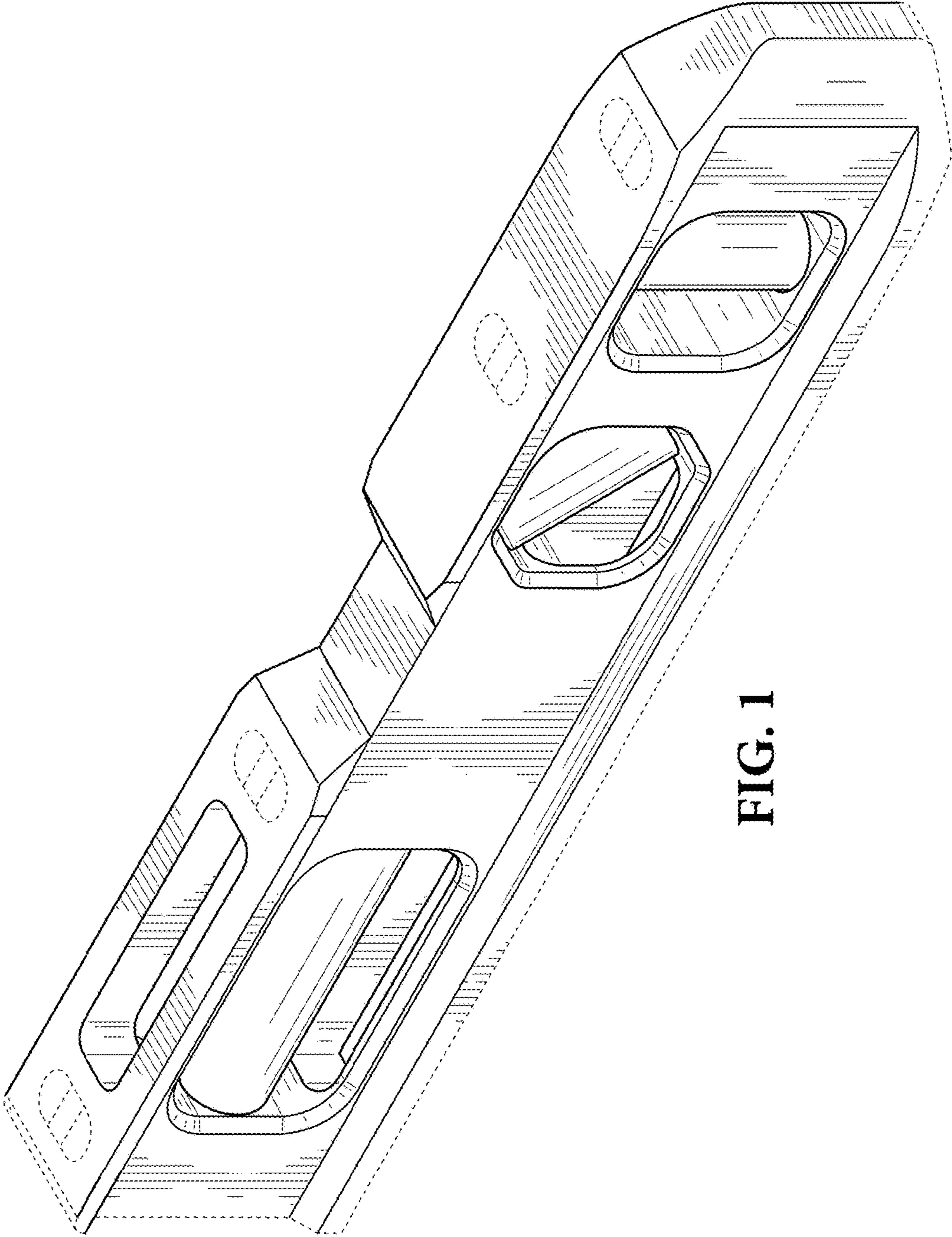


FIG. 1

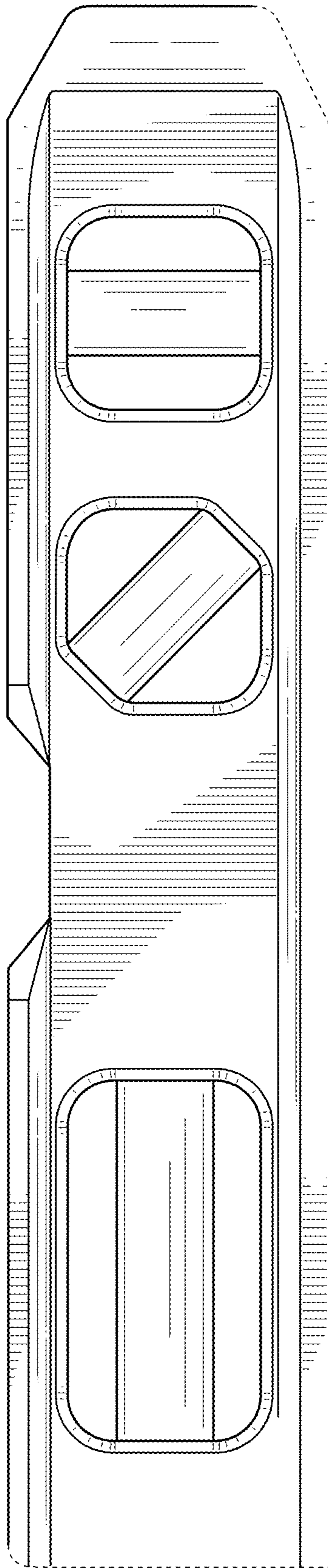


FIG. 2

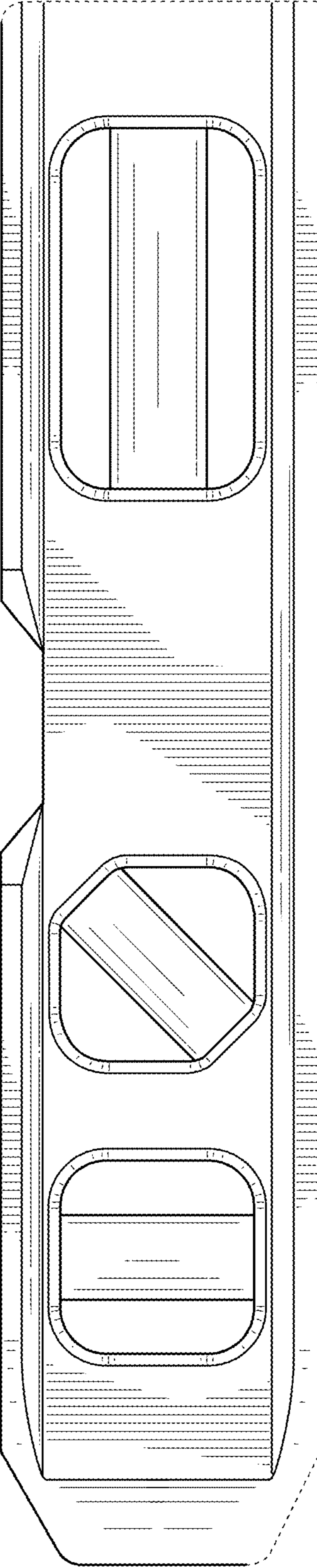


FIG. 3

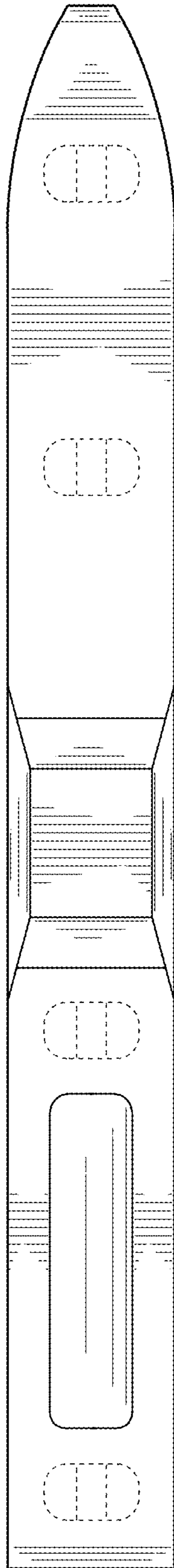


FIG. 4

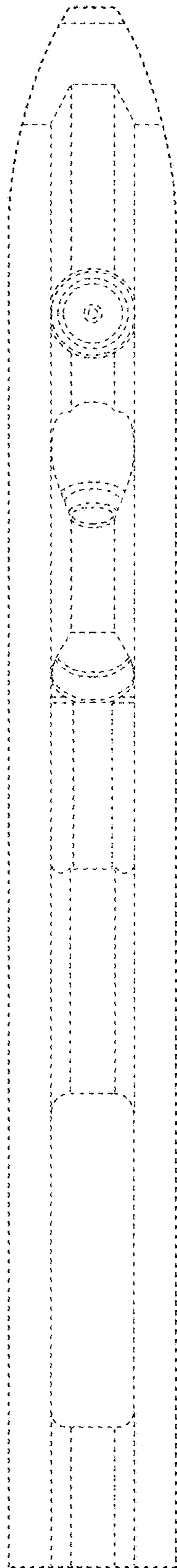


FIG. 5

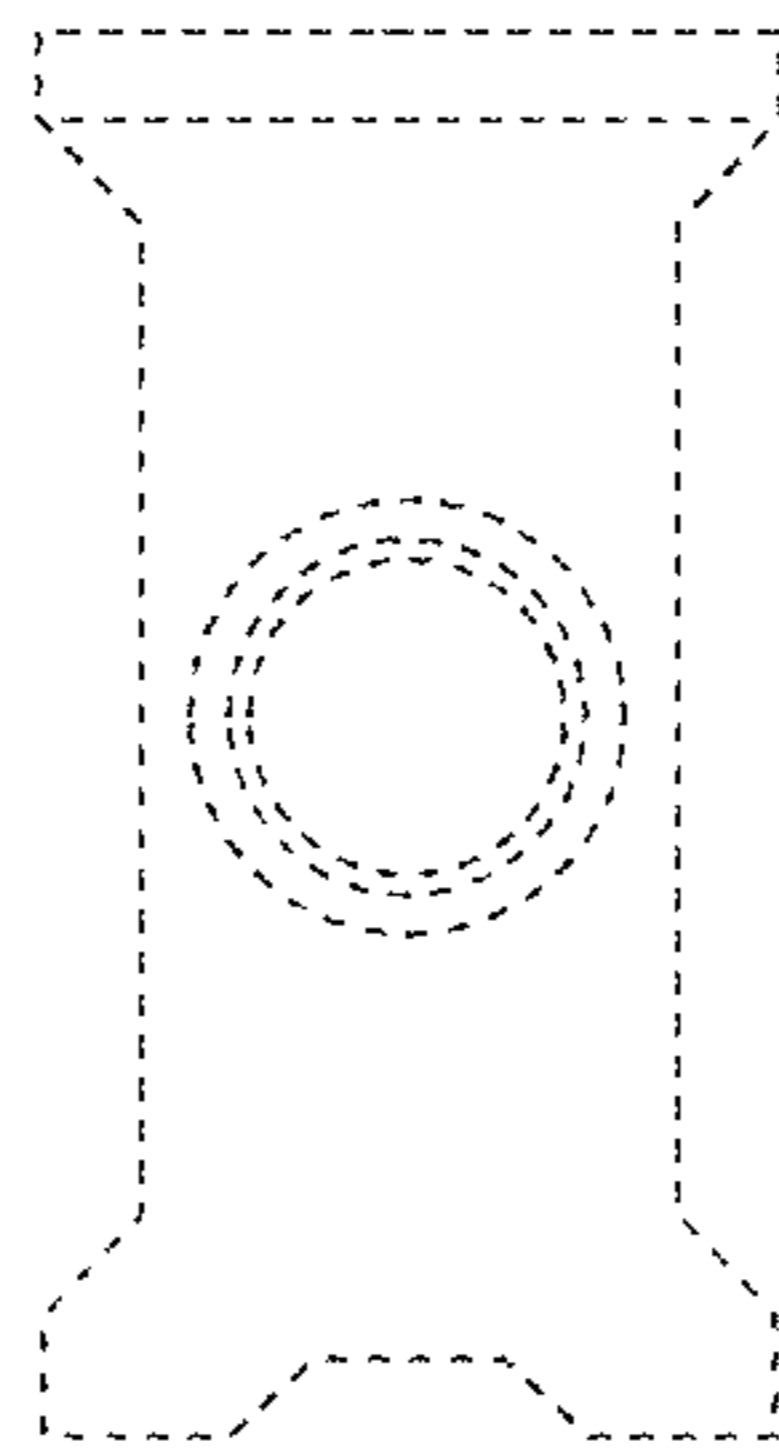


FIG. 6

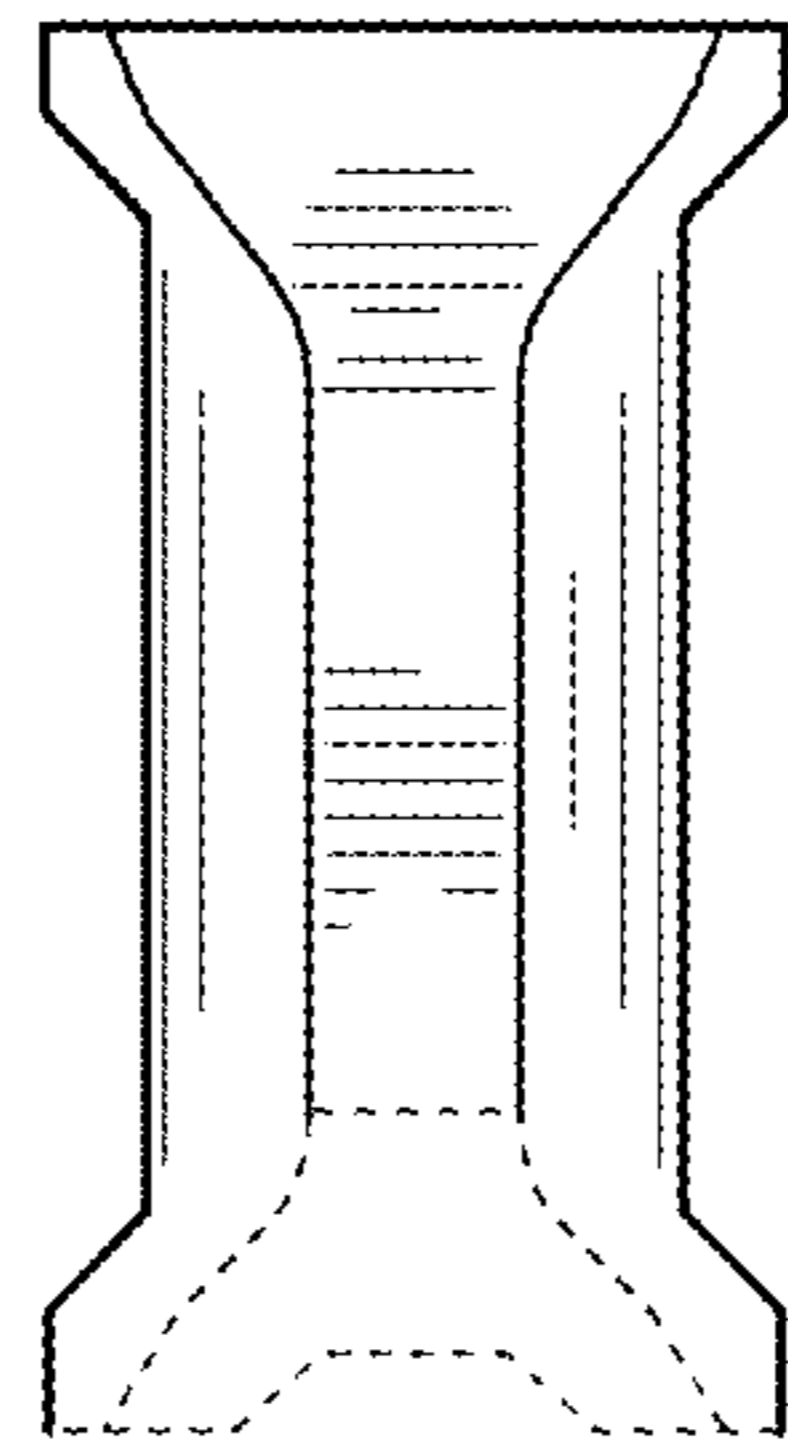


FIG. 7

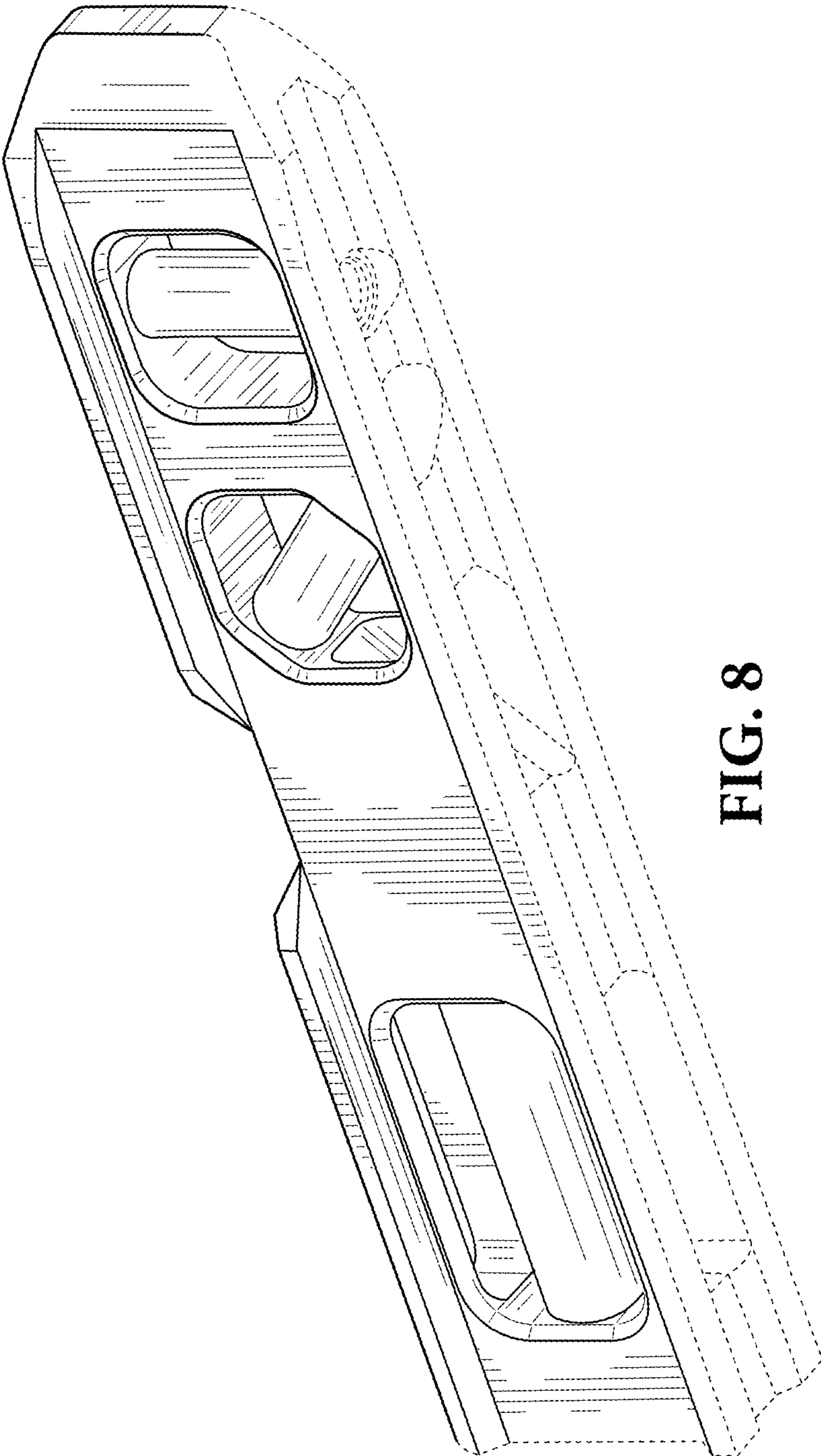


FIG. 8

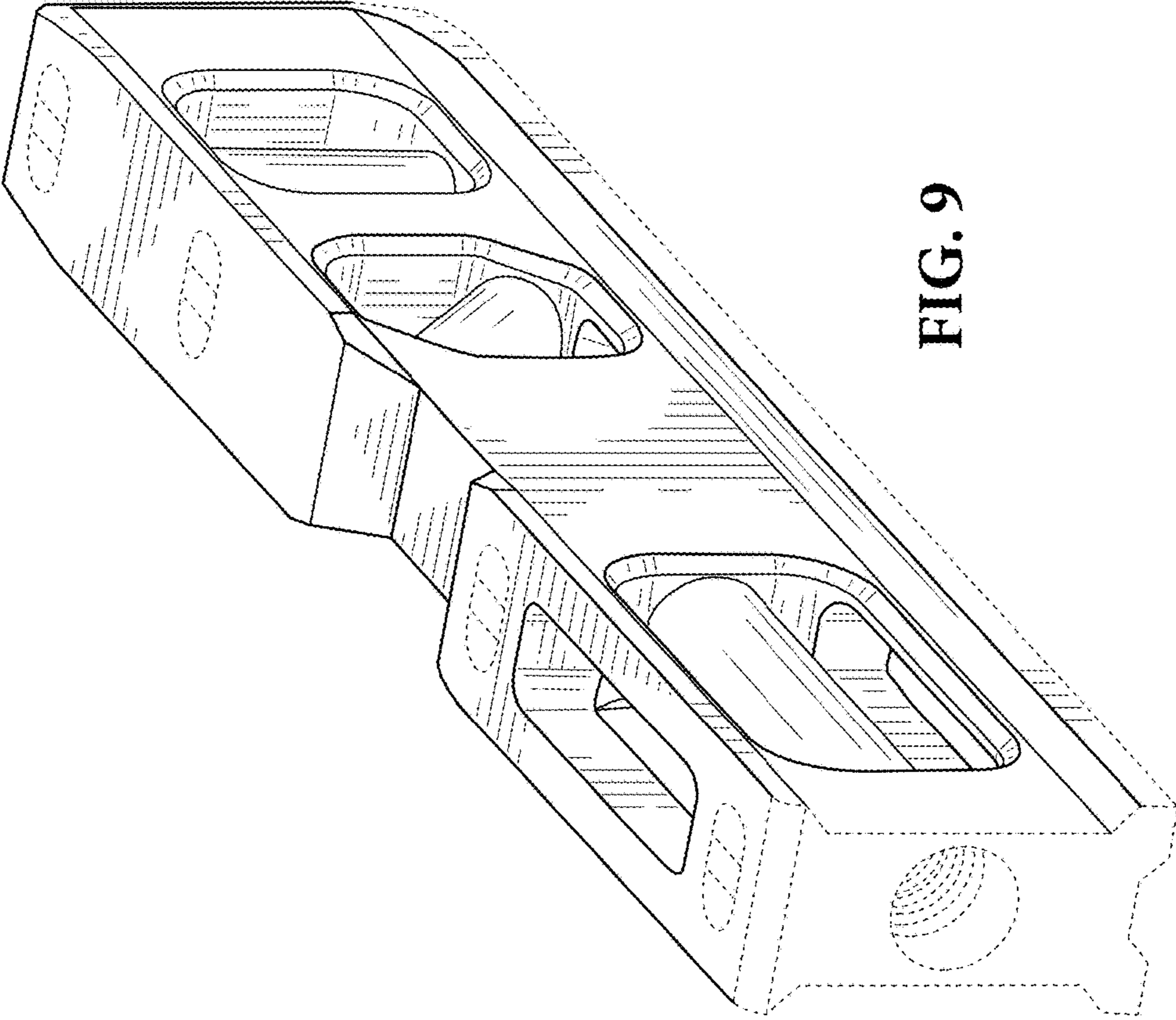


FIG. 9