



US00D786711S

(12) **United States Design Patent** (10) **Patent No.:** **US D786,711 S**
Repp (45) **Date of Patent:** **** May 16, 2017**

- (54) **TEMPERATURE DISPLAY DEVICE**
- (71) Applicant: **Weber-Stephen Products LLC**,
Palatine, IL (US)
- (72) Inventor: **Timothy C. Repp**, Barkhamsted, CT
(US)
- (73) Assignee: **Weber-Stephen Products LLC**,
Palatine, IL (US)
- (**) Term: **15 Years**
- (21) Appl. No.: **29/571,596**
- (22) Filed: **Jul. 20, 2016**

Related U.S. Application Data

- (62) Division of application No. 29/508,275, filed on Nov. 4, 2014, now Pat. No. Des. 766,747.
- (51) **LOC (10) Cl.** **10-04**
- (52) **U.S. Cl.**
USPC **D10/50**
- (58) **Field of Classification Search**
USPC D10/49, 50, 60
CPC . F23N 5/20; F23N 5/203; F23N 5/206; F23N 5/18; F23N 5/184; F23N 5/187; F23N 5/22; F23N 2025/12; F23N 2041/02; F24F 11/00; F24F 11/0012; F24F 11/0009; F24F 11/001; F24F 2011/0057; F24F 2011/0073; F24F 2011/0091
See application file for complete search history.

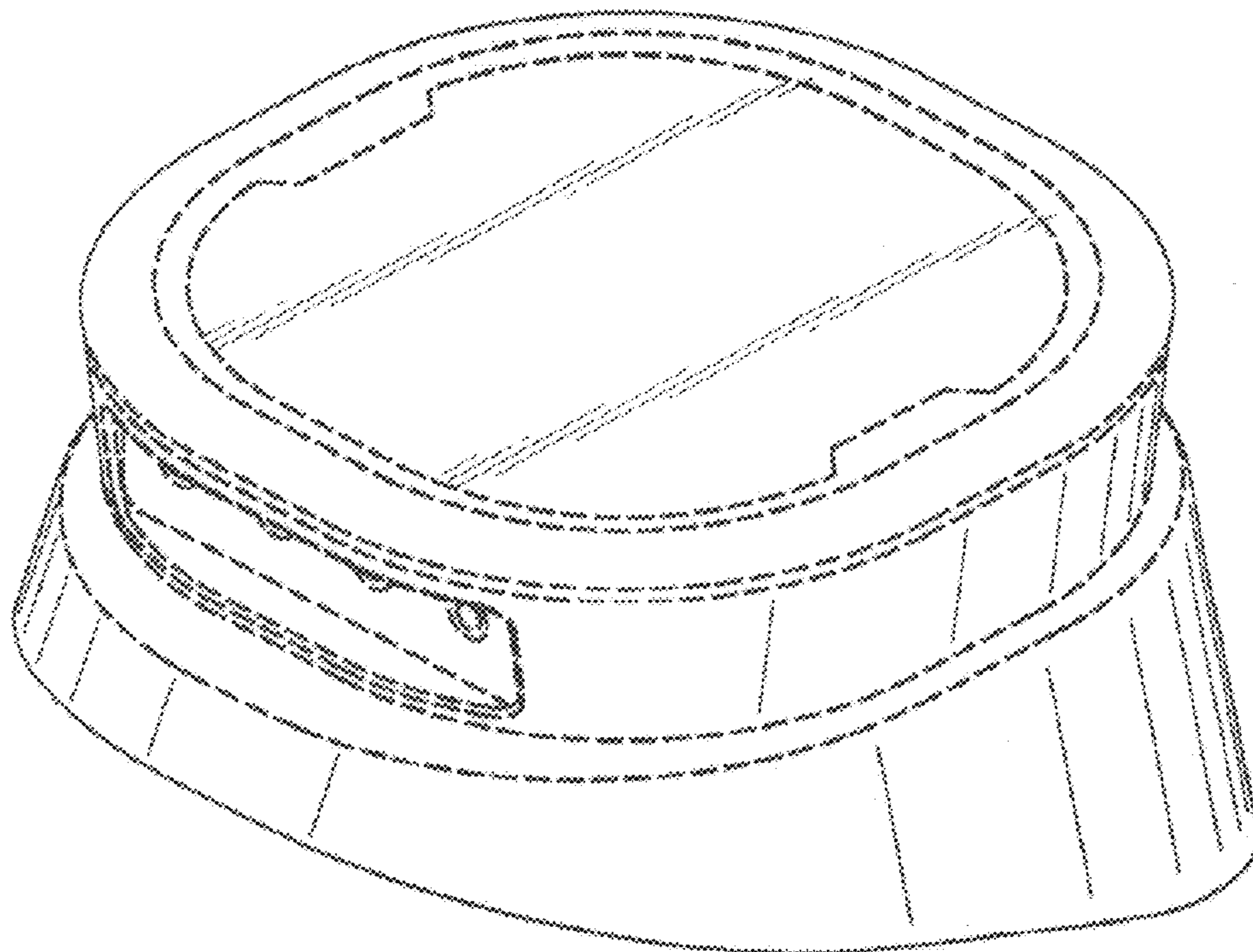
- (56) **References Cited**
U.S. PATENT DOCUMENTS
D750,980 S * 3/2016 Takach D10/50
* cited by examiner
Primary Examiner — Antoine D Davis
(74) *Attorney, Agent, or Firm* — Vitale Vickrey Niro & Gasey

(57) **CLAIM**
The ornamental design for a temperature display device, as shown and described.

DESCRIPTION

FIG. 1 is a perspective view of a temperature display device showing the present invention;
FIG. 2 is a front elevational view thereof;
FIG. 3 is a rear elevational view thereof;
FIG. 4 is a top plan view thereof;
FIG. 5 is a bottom plan view thereof;
FIG. 6 is a left elevational view thereof; and,
FIG. 7 is a right elevational view thereof.
The broken lines in the figures show structure or boundaries that form no part of the claimed design, but rather show the environment in which the design is associated, or show portions of the article in which the design is embodied or applied that are not considered part of the claimed design.

1 Claim, 7 Drawing Sheets



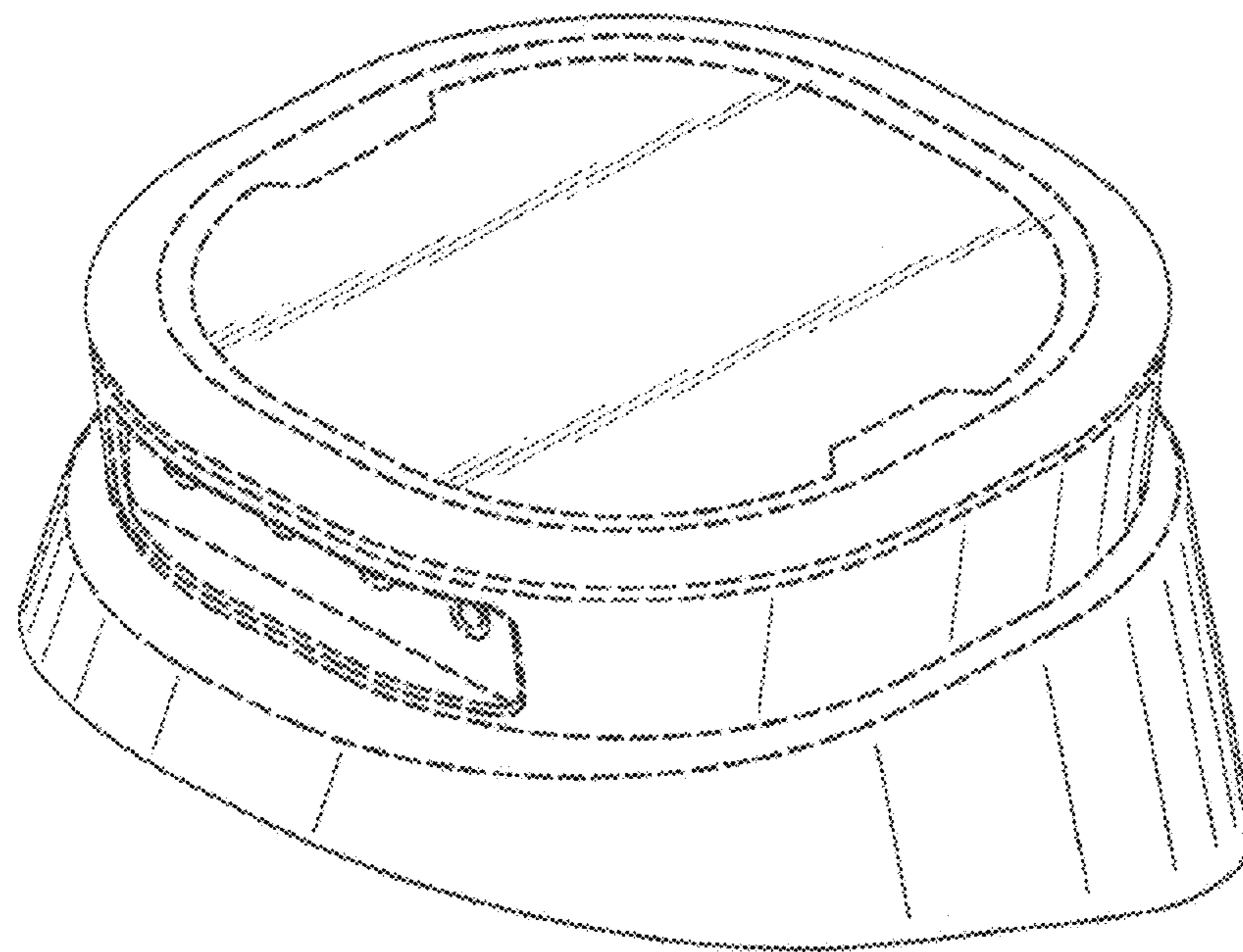


FIG. 1

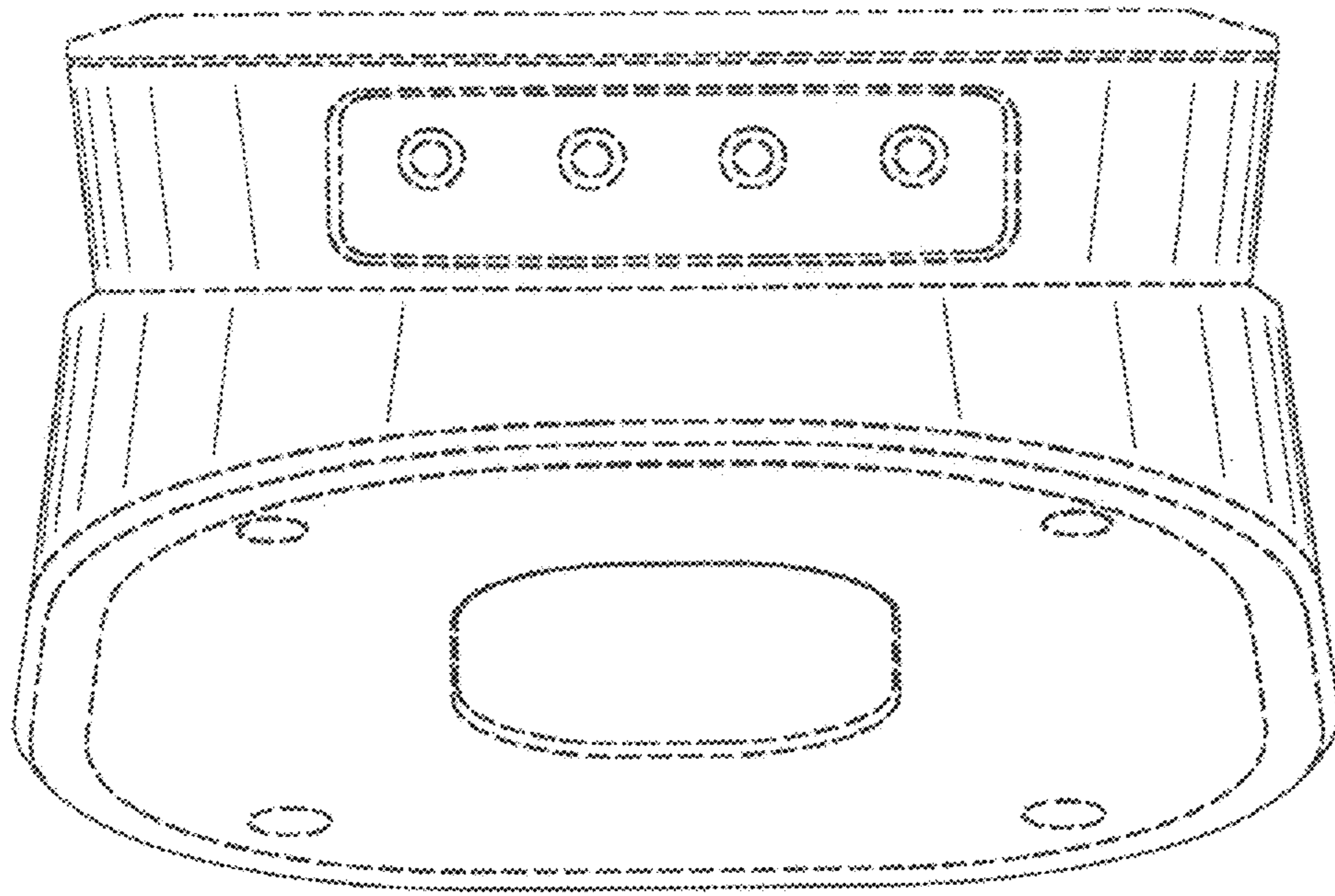


FIG. 2

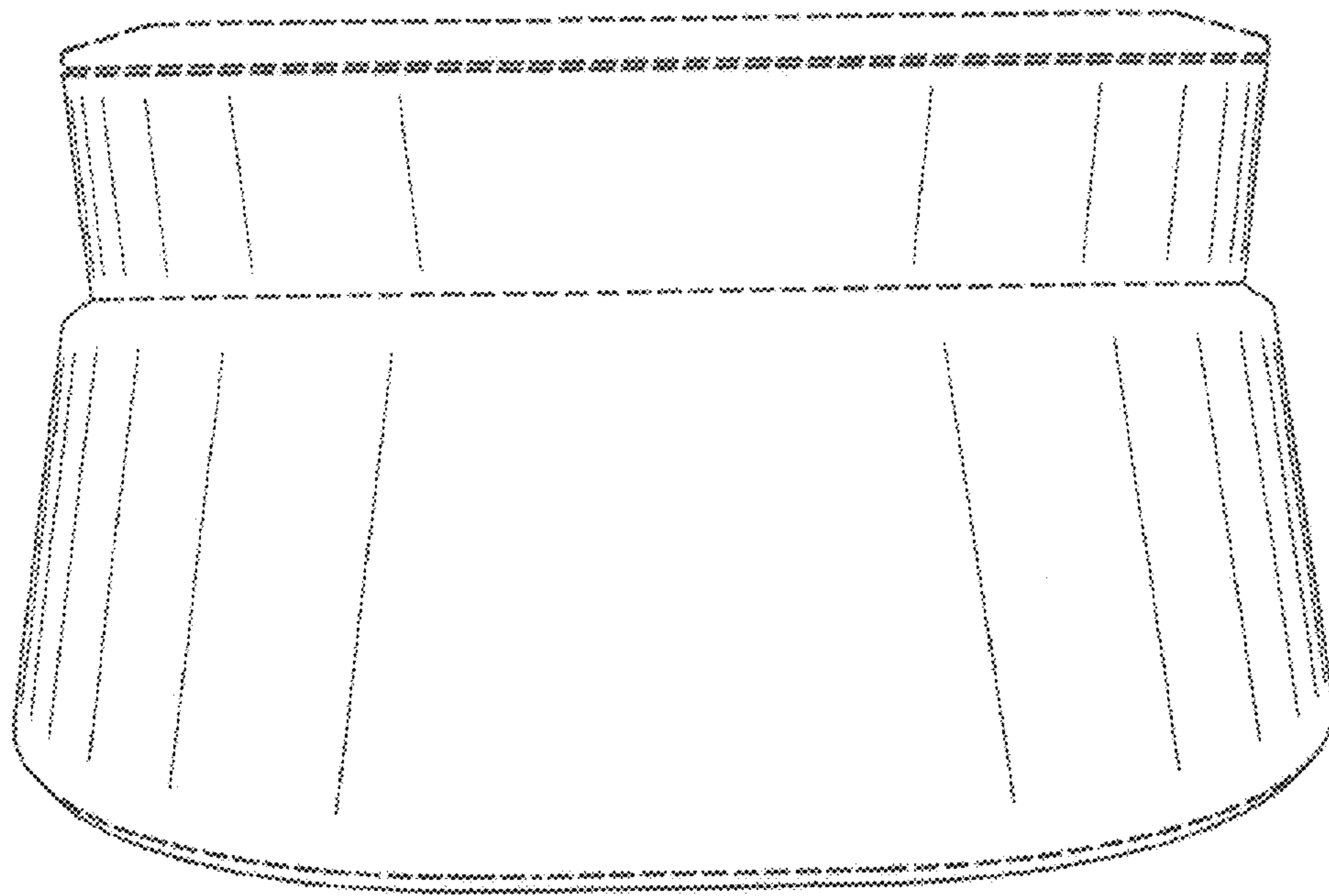


FIG. 3

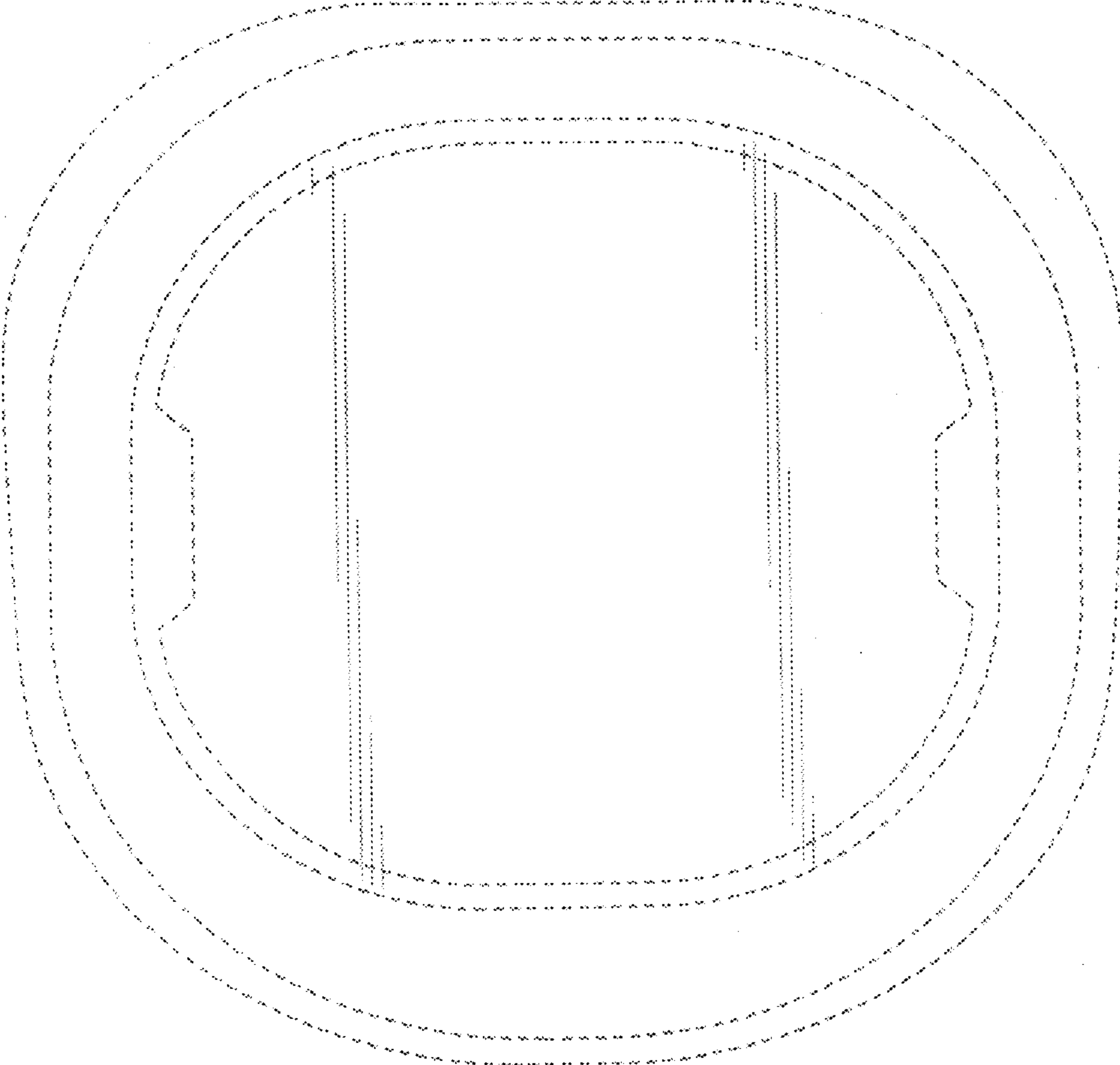


FIG. 4

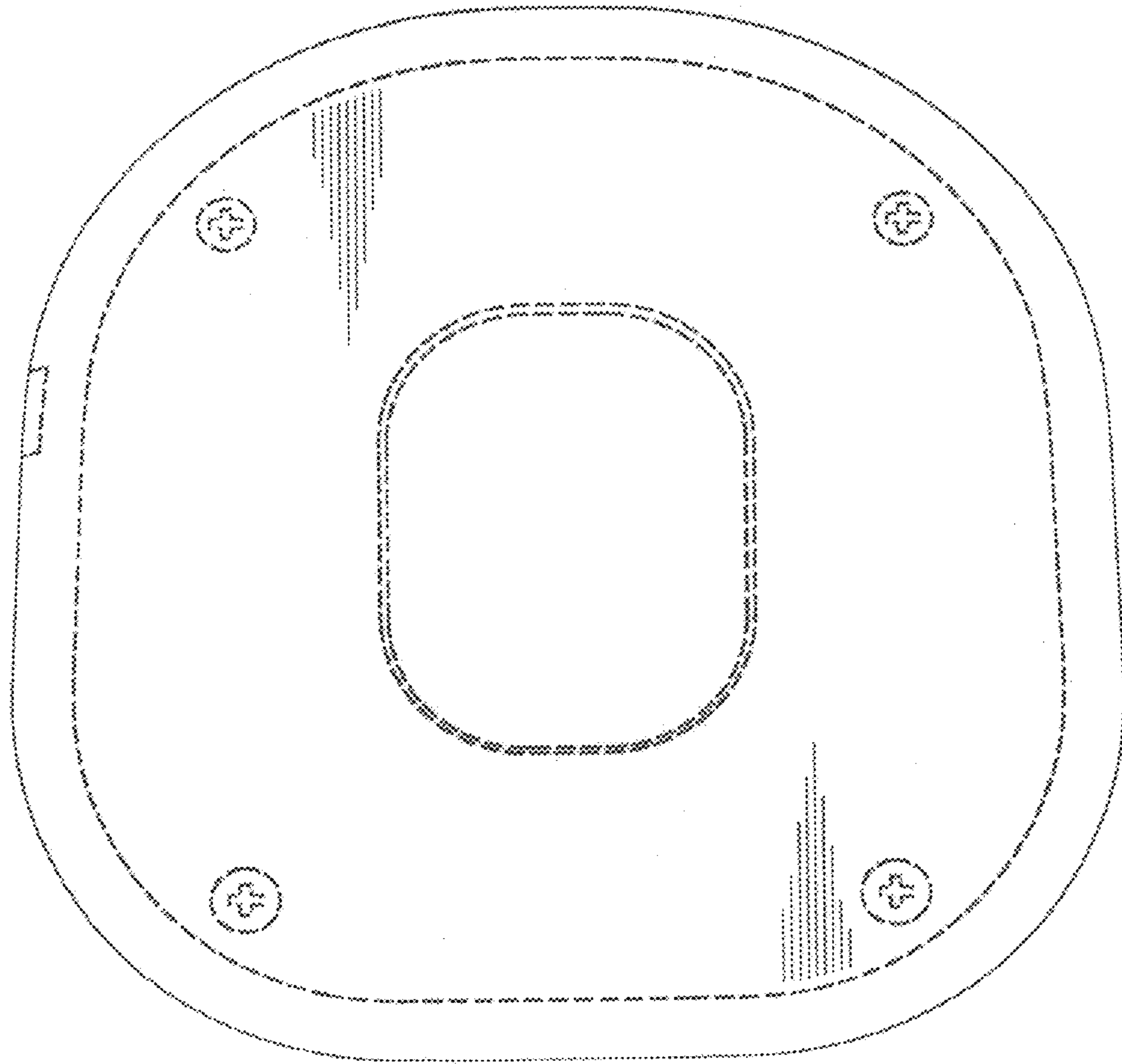


FIG. 5

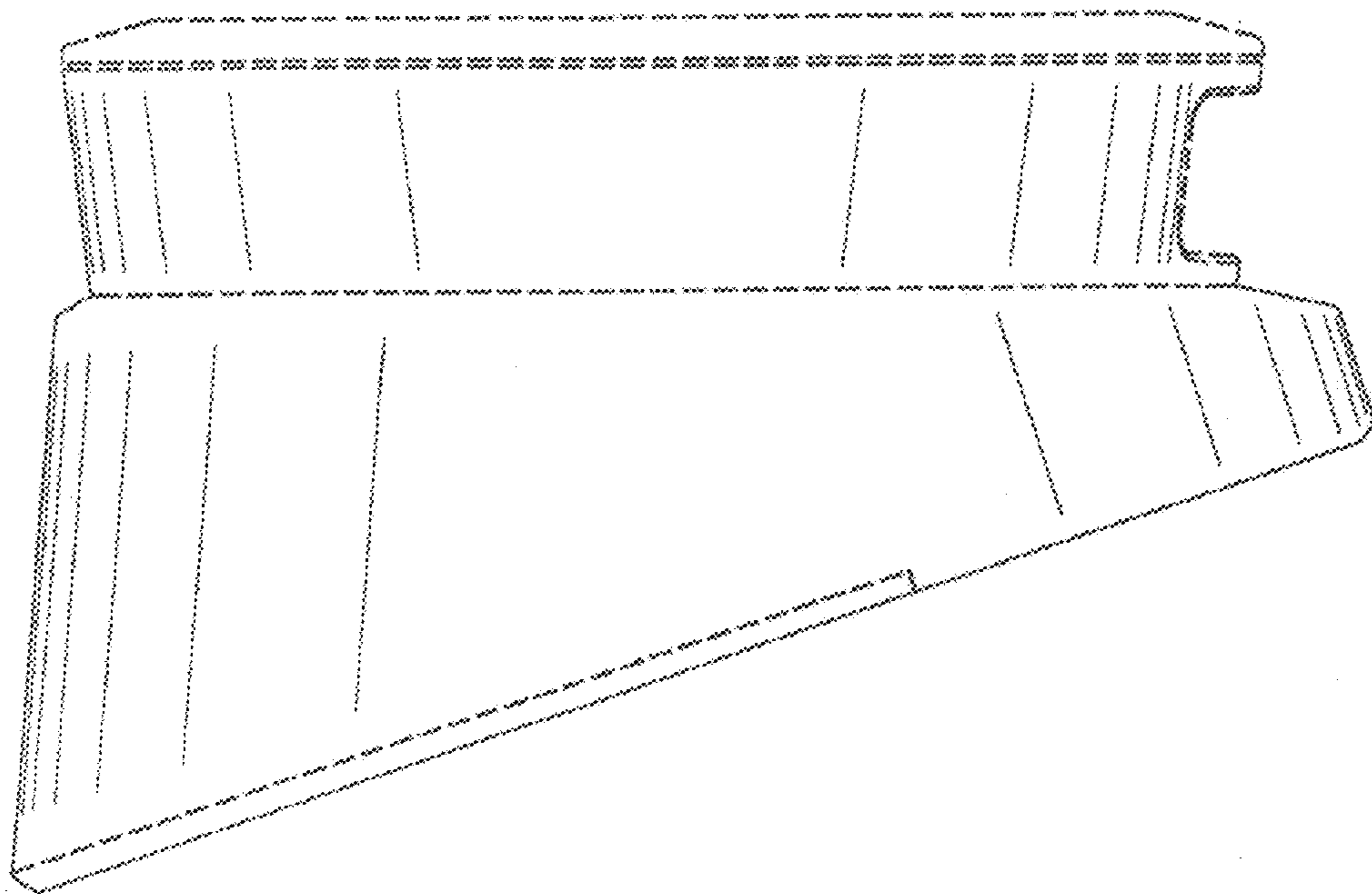


FIG. 6

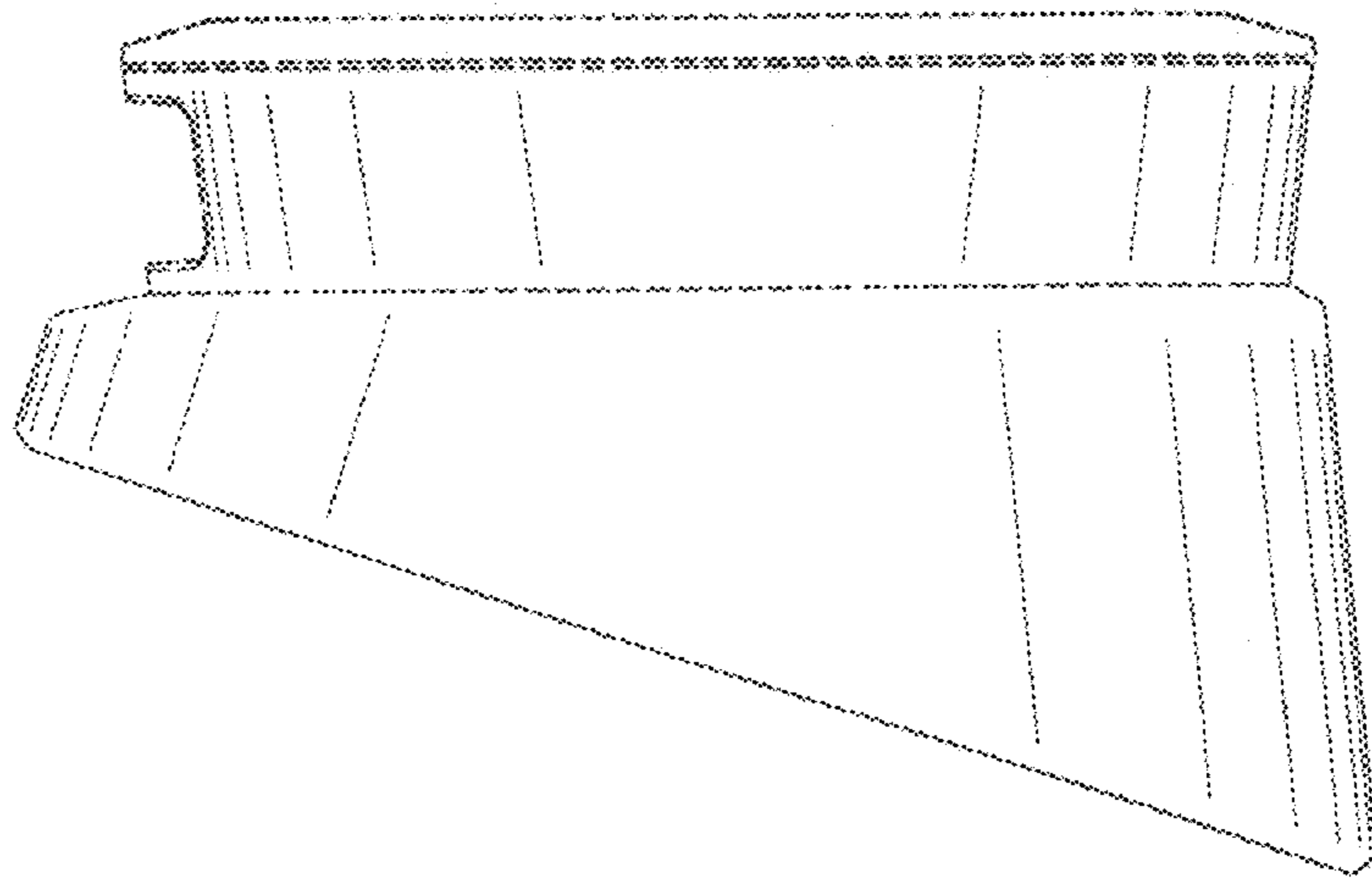


FIG. 7