



US00D786709S

(12) **United States Design Patent**
Pagliariulo

(10) **Patent No.:** **US D786,709 S**
(45) **Date of Patent:** **** May 16, 2017**

(54) **CLOSED-SYSTEM FLUID MEASURING AND DISPENSING DEVICE**

(71) Applicant: **Gregg Pagliarulo**, Hollywood, FL (US)

(72) Inventor: **Gregg Pagliarulo**, Hollywood, FL (US)

(**) Term: **15 Years**

(21) Appl. No.: **29/560,290**

(22) Filed: **Apr. 5, 2016**

Related U.S. Application Data

(63) Continuation of application No. 13/957,058, filed on Aug. 1, 2013, now abandoned.

(51) **LOC (10) Cl.** **10-04**

(52) **U.S. Cl.**

USPC **D10/46.2**; D10/101; D7/398; D7/591

(58) **Field of Classification Search**

USPC D10/46.2, 101; D7/591, 398

CPC B05B 11/0089; B05B 11/0091; B05B

11/0094

See application file for complete search history.

(56) **References Cited**

U.S. PATENT DOCUMENTS

2,224,967	A	12/1940	Kaye
2,311,367	A	2/1943	Chambers
3,179,301	A	4/1965	Lucht
3,628,700	A	12/1971	Donoghue
3,752,366	A	8/1973	Lawrence, Jr.
4,079,859	A	3/1978	Jennings
4,106,673	A	8/1978	Donoghue
4,646,948	A	3/1987	Jennings

4,779,767	A	10/1988	Griffiths	
D316,208	S *	4/1991	Griffiths	D10/46.2
5,582,327	A	12/1996	De Laforcade	
5,967,377	A	10/1999	Glynn	
6,082,591	A	7/2000	Healey	
7,222,755	B2	5/2007	Glynn et al.	
7,325,752	B2	2/2008	Shanklin et al.	
D586,680	S *	2/2009	Bober	D10/101
D591,627	S *	5/2009	Roys	D10/101
7,850,050	B2	12/2010	Brown	
7,857,172	B2	12/2010	Harvey	
D748,503	S *	2/2016	Gora	D10/46.2
2011/0240674	A1	10/2011	Pai	

* cited by examiner

Primary Examiner — Antoine D Davis

(74) *Attorney, Agent, or Firm* — Laurence A. Greenberg; Werner H. Stemer; Ralph E. Locher

(57) **CLAIM**

The ornamental design for a closed-system fluid measuring and dispensing device, as shown and described.

DESCRIPTION

FIG. 1 is a top, side perspective view of the closed-system fluid measuring and dispensing device showing my new invention;

FIG. 2 is a rear, side perspective view thereof;

FIG. 3 is left-side view thereof;

FIG. 4 is a right-side view thereof;

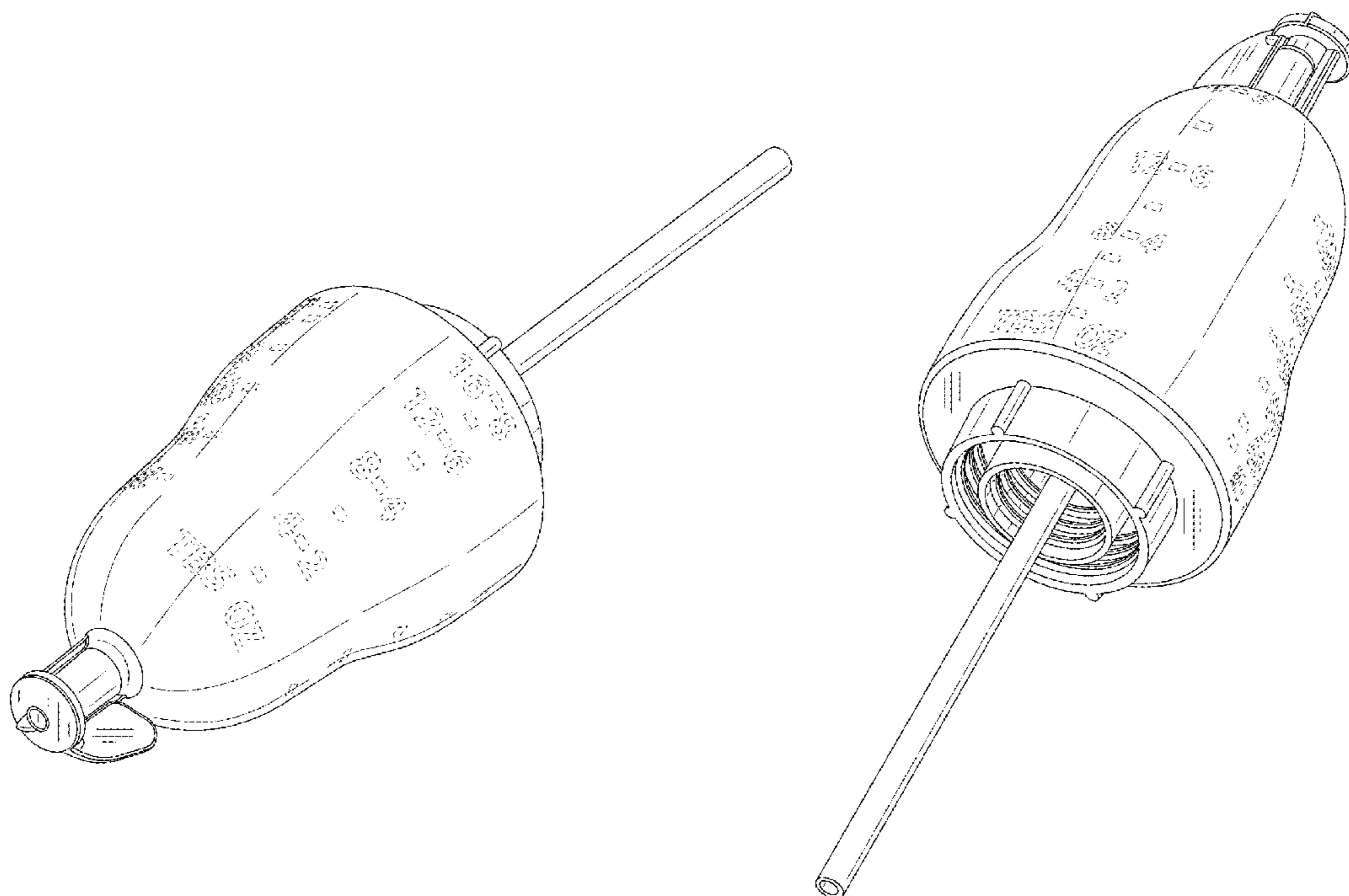
FIG. 5 is a front plan view thereof;

FIG. 6 is a bottom plan view thereof; and,

FIG. 7 is a top plan view thereof.

The broken lines depict environmental structure and do not form any part of the claim.

1 Claim, 6 Drawing Sheets



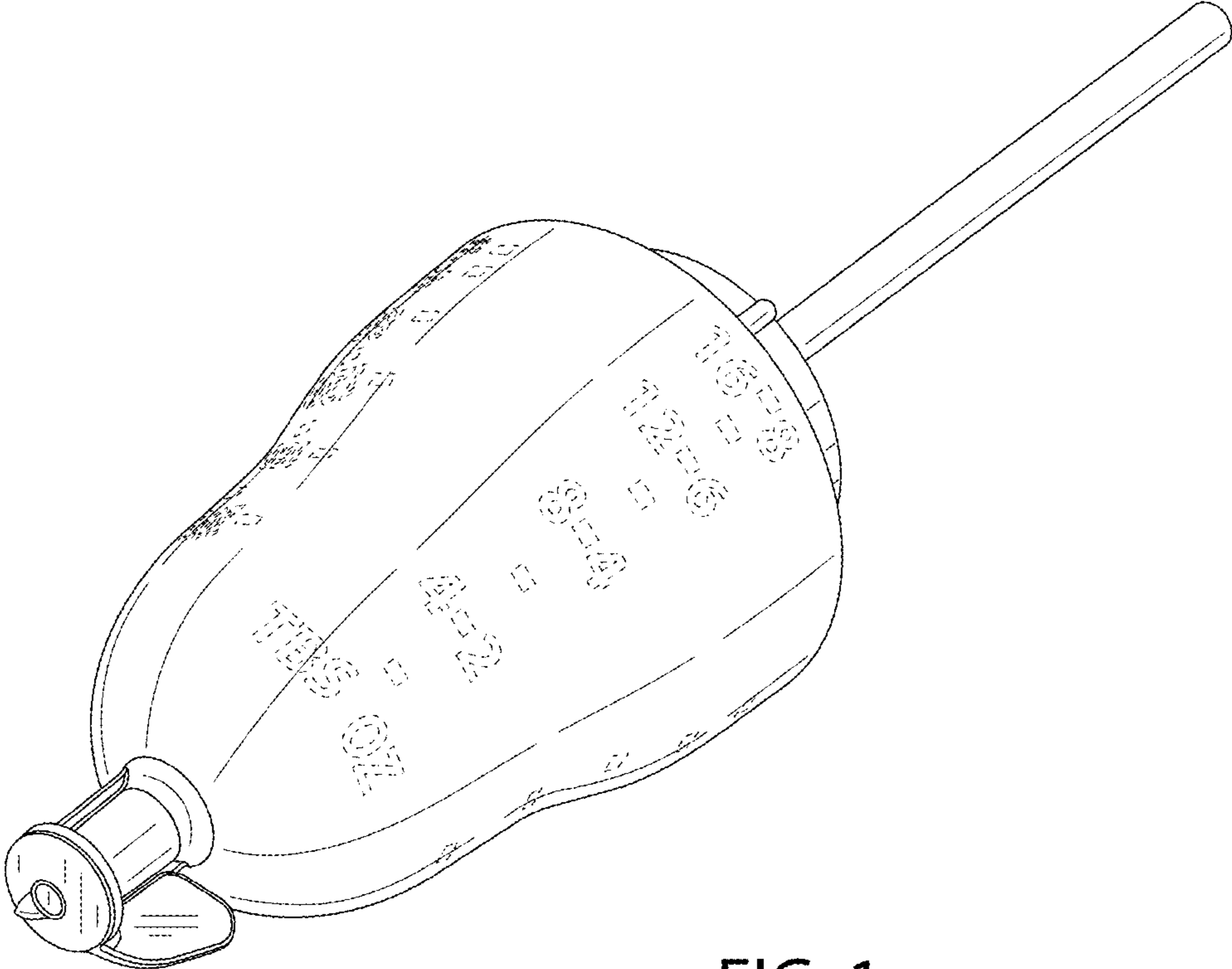


FIG. 1

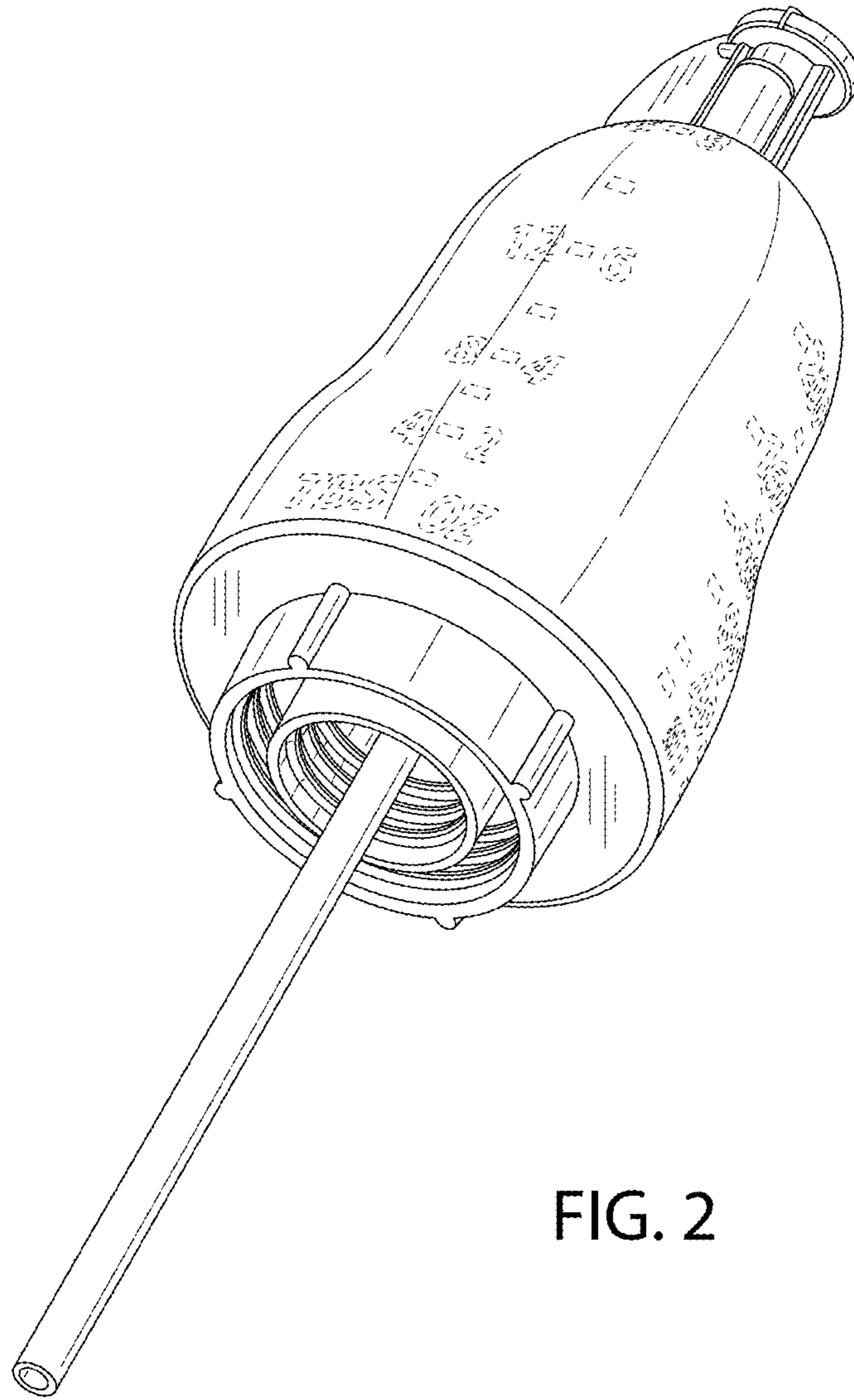


FIG. 2

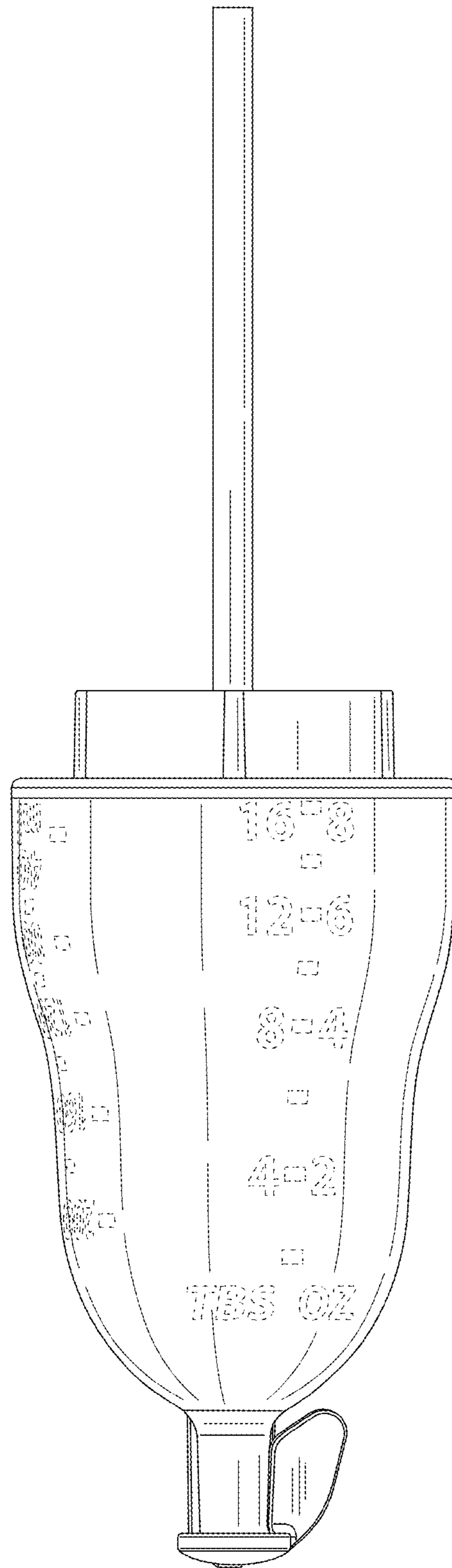


FIG. 3

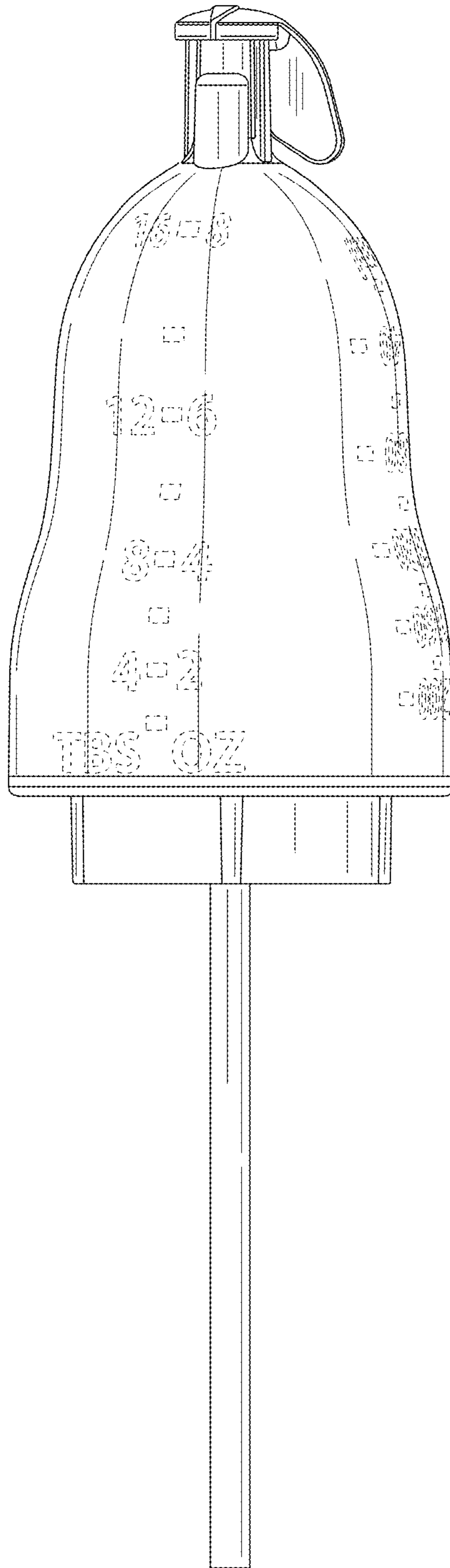


FIG. 4

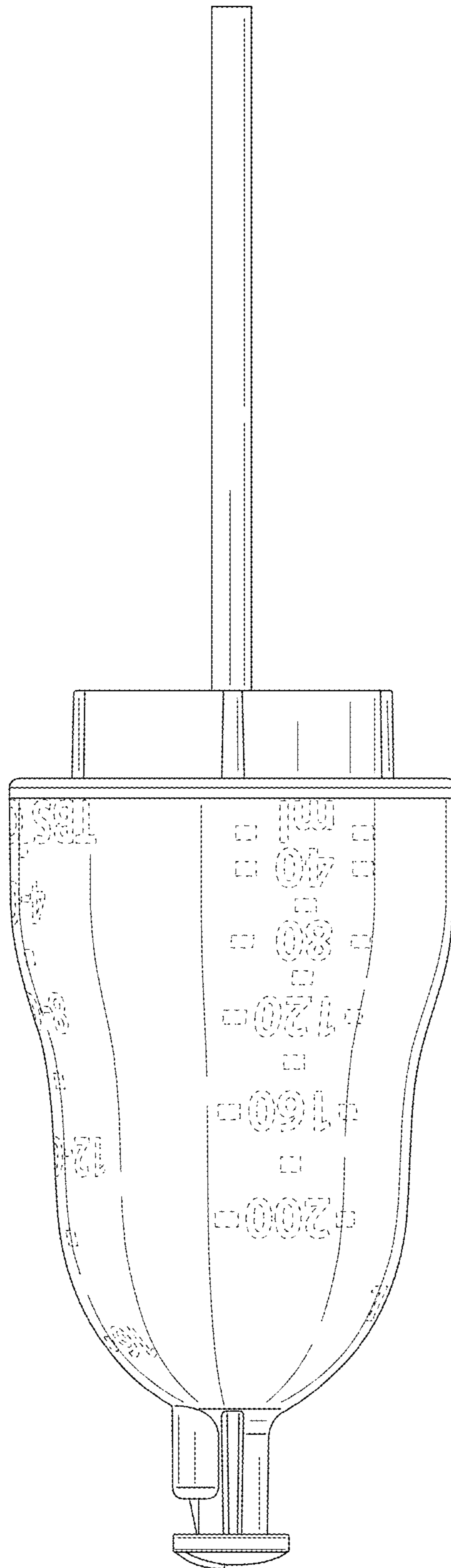


FIG. 5

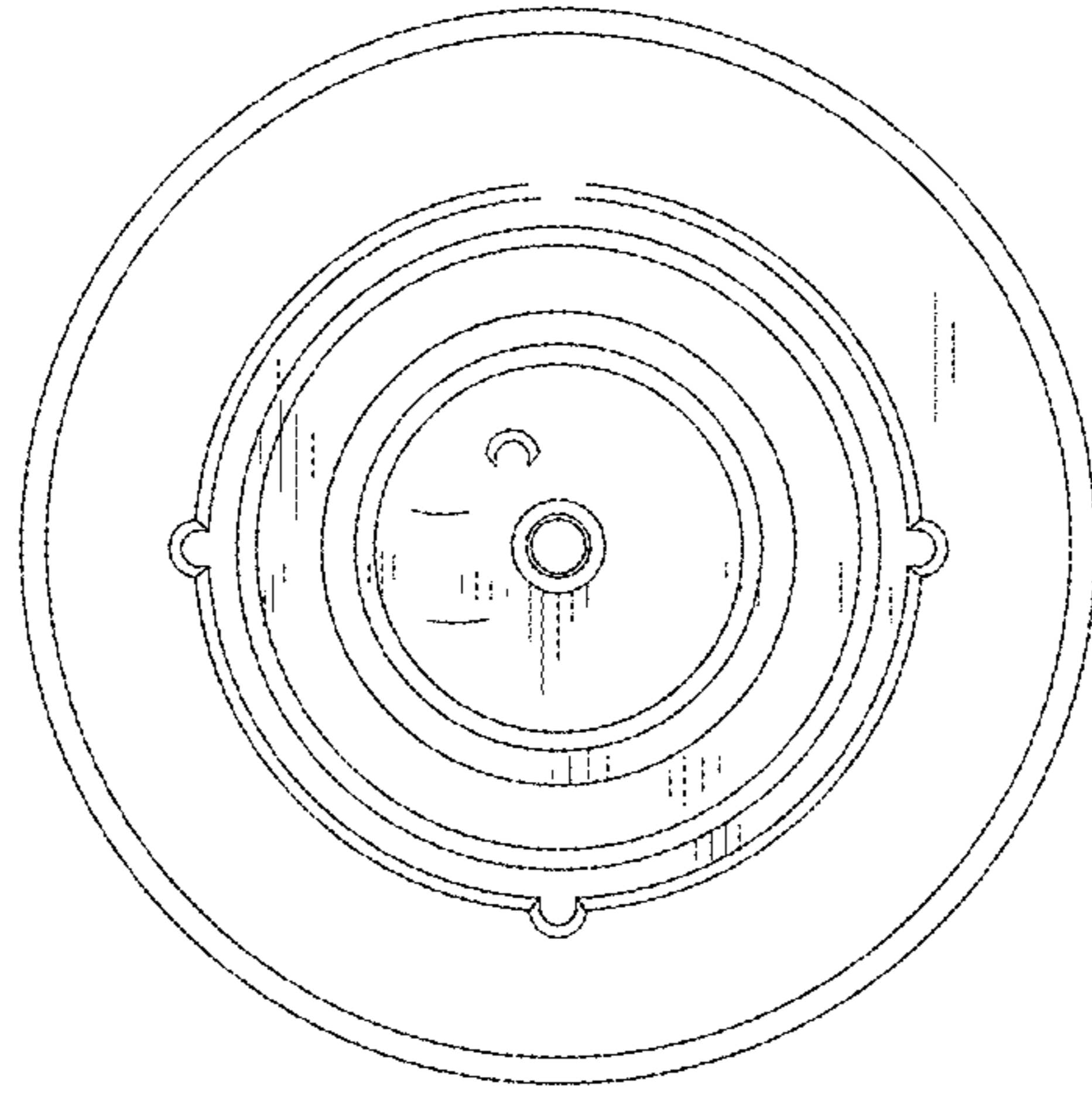


FIG. 6

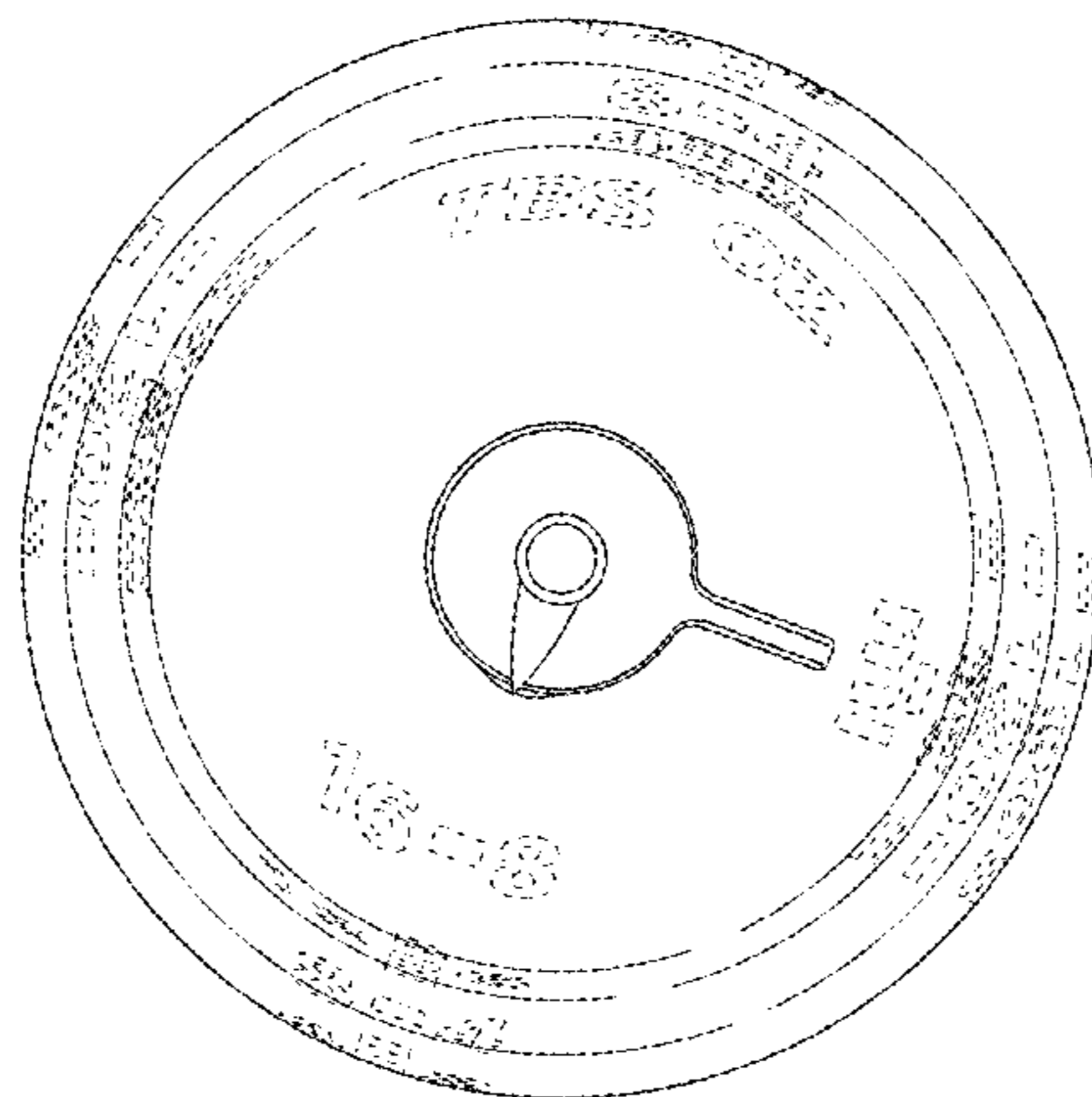


FIG. 7