



US00D786707S

(12) **United States Design Patent**
Oommen et al.

(10) **Patent No.:** **US D786,707 S**

(45) **Date of Patent:** **** May 16, 2017**

(54) **WAVELENGTH SCANNING APPARATUS**

6,894,289 B2 * 5/2005 Nilson A01K 1/031
250/458.1

(71) Applicant: **STEM ARTS PROJECTS, LLC,**
Lincoln, NE (US)

8,497,134 B2 * 7/2013 Reed G01N 21/6428
422/50

(72) Inventors: **Abraham Oommen,** Omaha, NE (US);
Matthew Greenleaf, Lincoln, NE (US)

9,464,329 B2 * 10/2016 Cargill G01N 21/645
D770,921 S * 11/2016 Nenonen D10/81
9,522,396 B2 * 12/2016 Bachelet G01N 21/23

(73) Assignee: **Stem Arts Projects, LLC,** Lincoln, NE
(US)

* cited by examiner

(**) Term: **15 Years**

Primary Examiner — Antoine D Davis

(74) *Attorney, Agent, or Firm* — AriAnna C. Goldstein;
Baird Holm LLP

(21) Appl. No.: **29/552,000**

(57) **CLAIM**

(22) Filed: **Jan. 19, 2016**

The ornamental design for a wavelength scanning apparatus,
as shown and described.

(51) **LOC (10) Cl.** **10-04**

(52) **U.S. Cl.**
USPC **D10/46; D10/81**

DESCRIPTION

(58) **Field of Classification Search**
USPC D10/46, 81
CPC G01N 21/64; G01N 21/6402; G01N
21/6404; G01N 2021/6406; G01N
21/6408; G01N 2021/641; G01N
2021/6413; G01N 2021/6415; G01N
2021/6417; G01N 2021/6419; G01N
2021/6421; G01N 2021/2023; G01N
2021/2026

See application file for complete search history.

FIG. 1 is a perspective view of wavelength scanning appa-
ratus of FIG. 1.

FIG. 2 is a top view of the wavelength scanning apparatus
of FIG. 1.

FIG. 3 is a first side view of the wavelength scanning
apparatus of FIG. 1.

FIG. 4 is a second side view of the wavelength scanning
apparatus of FIG. 1.

FIG. 5 is a third side view of the wavelength scanning
apparatus of FIG. 1.

FIG. 6 is a fourth side view of the wavelength scanning
apparatus of FIG. 1; and,

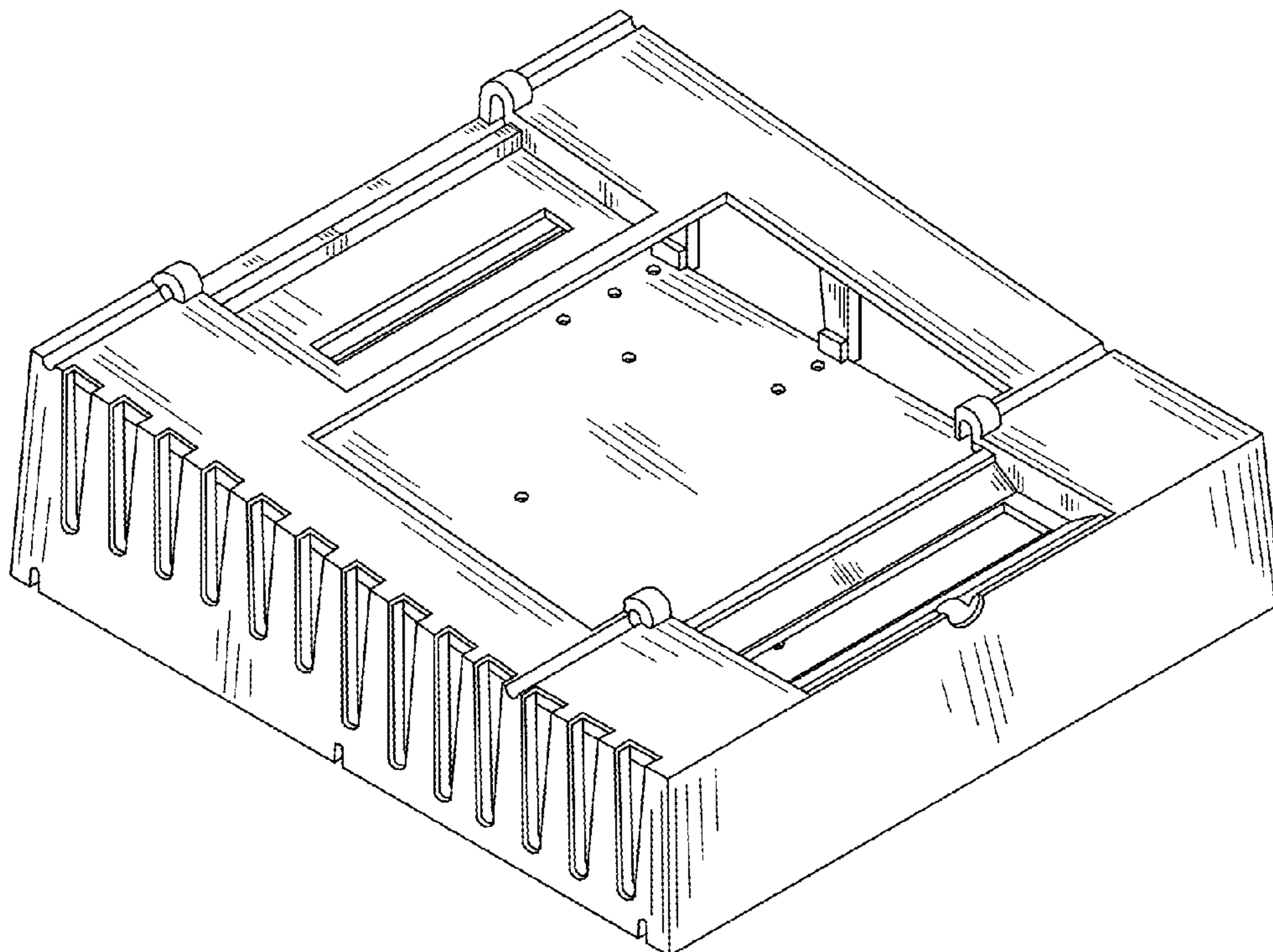
FIG. 7 is a bottom view of the wavelength scanning appa-
ratus of FIG. 1.

(56) **References Cited**

U.S. PATENT DOCUMENTS

D275,841 S * 10/1984 Perry D10/46
6,714,298 B2 * 3/2004 Ryer G01J 3/02
356/328

1 Claim, 4 Drawing Sheets



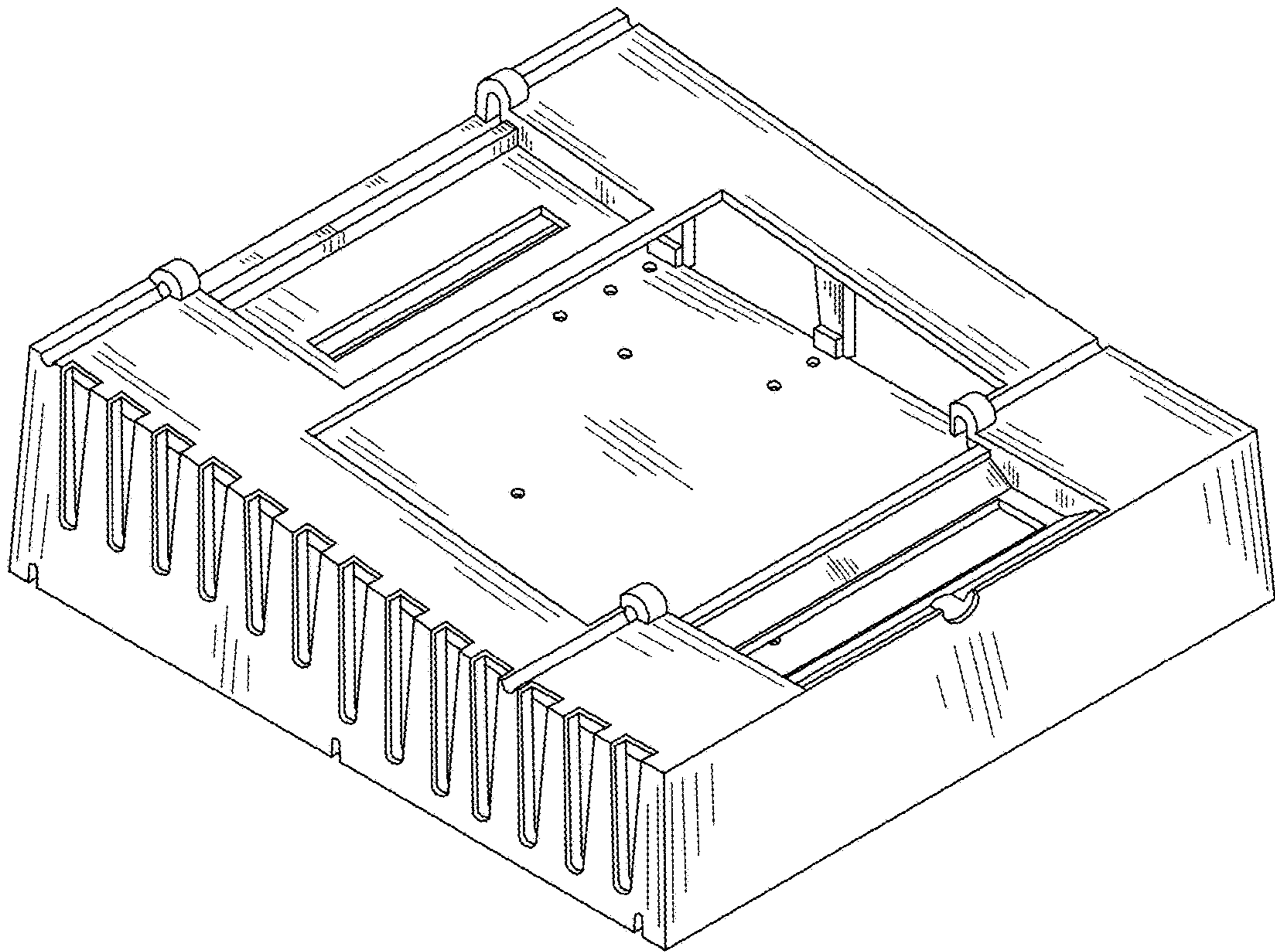


FIG. 1

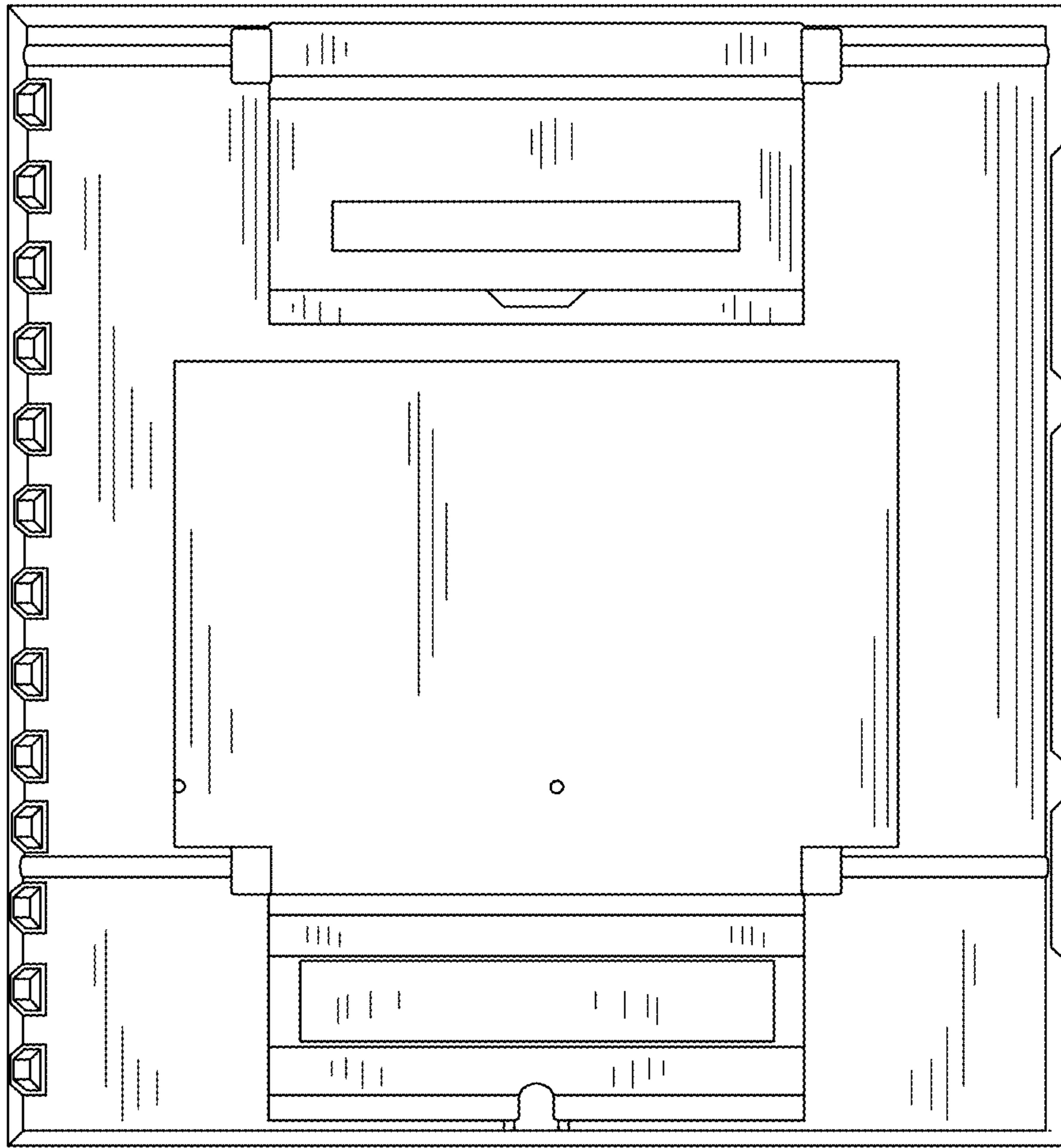


FIG. 2

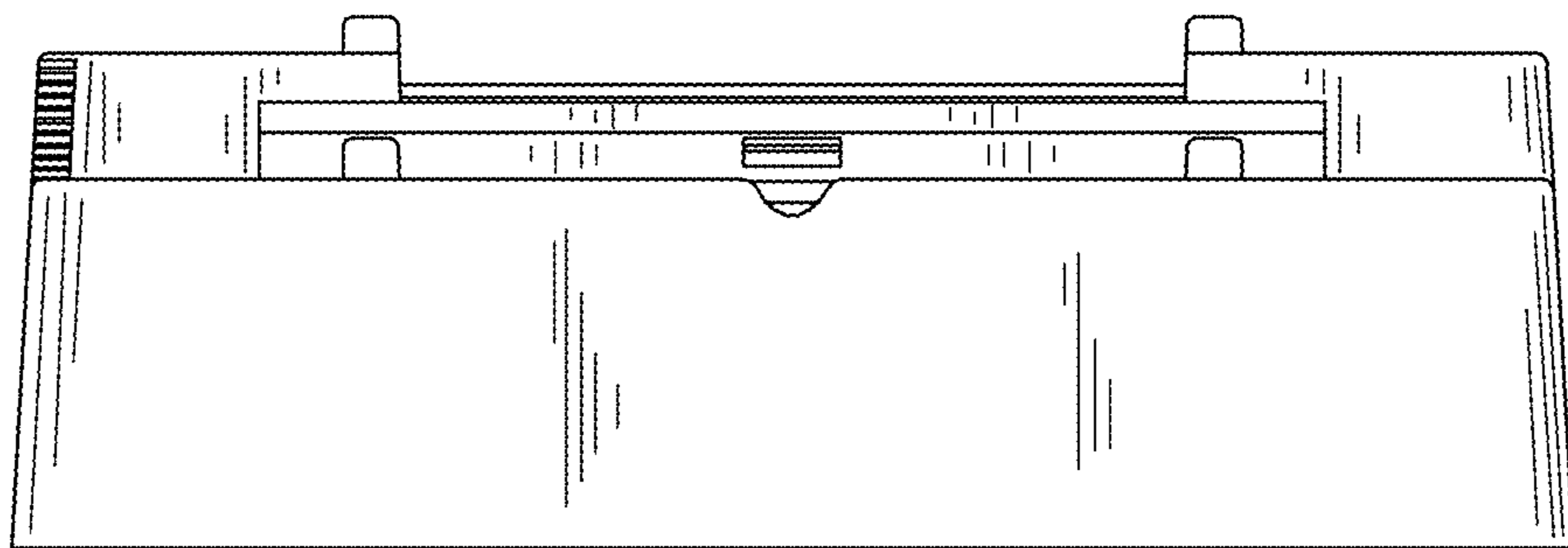


FIG. 3

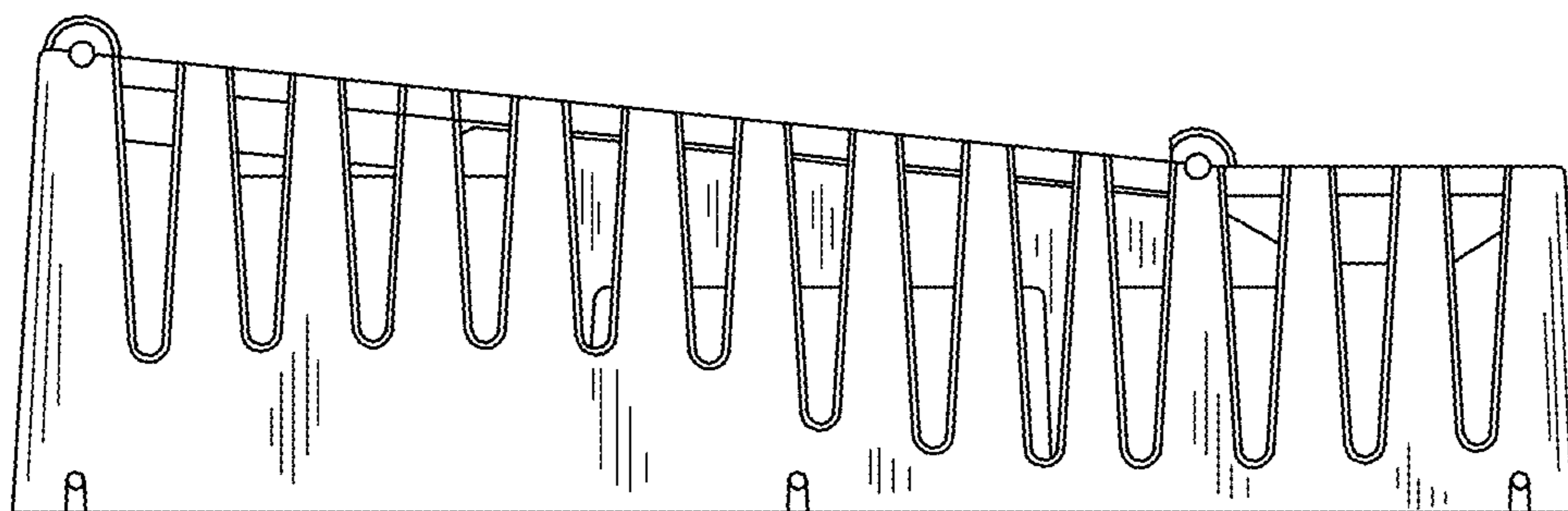


FIG. 4

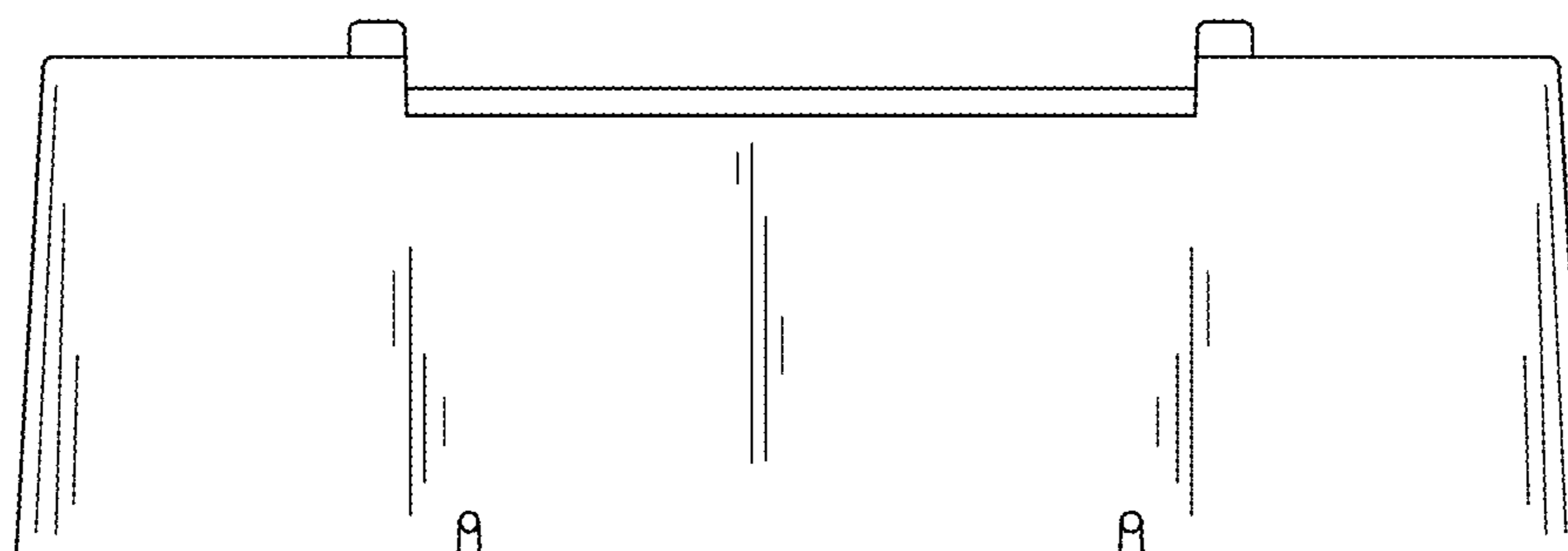


FIG. 5

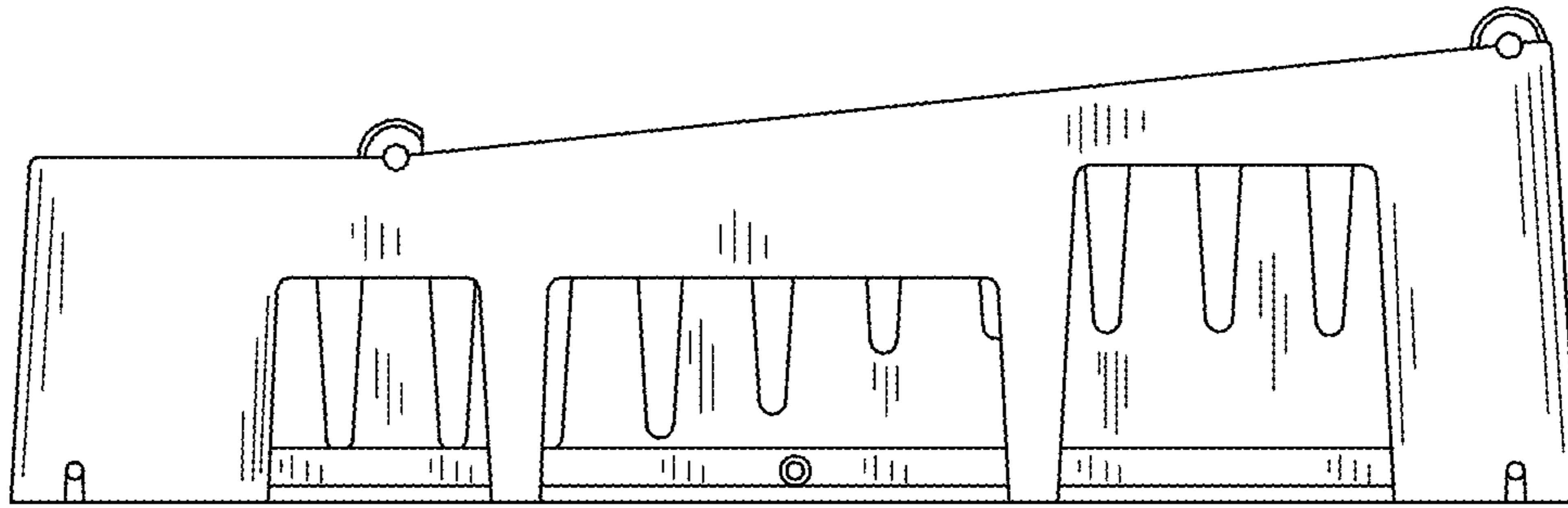


FIG. 6

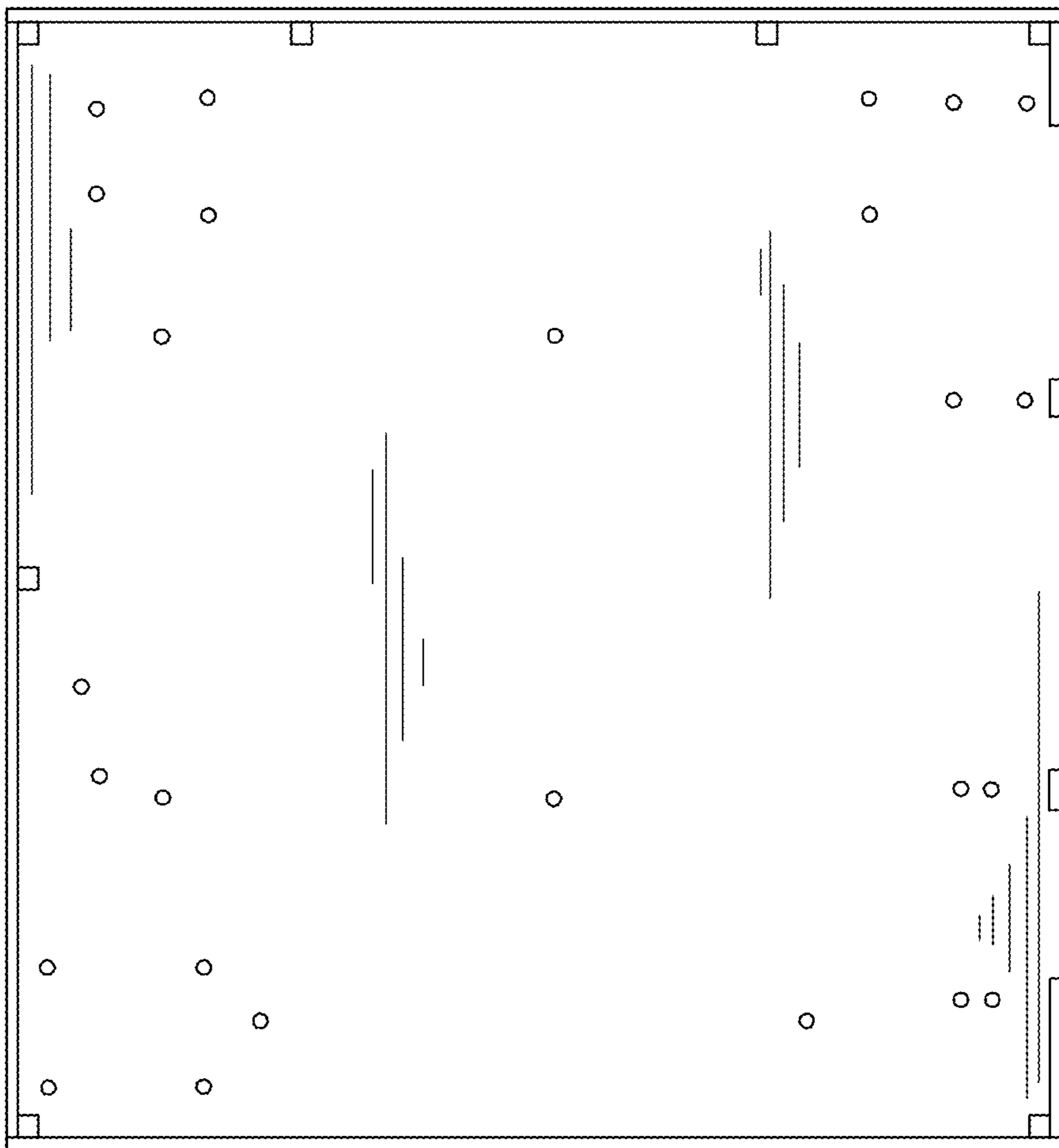


FIG. 7