



US00D786706S

(12) **United States Design Patent**
Connor et al.

(10) **Patent No.:** **US D786,706 S**

(45) **Date of Patent:** **** May 16, 2017**

(54) **WATCH WITH DISPLAY**

(71) Applicant: **Garmin Switzerland GmbH**,
Schaffhausen (CH)

(72) Inventors: **Stephen W. Connor**, Overland Park,
KS (US); **Peter J. Henne**, Overland
Park, KS (US); **Toby C. Wilcher**,
Prairie Village, KS (US); **Matthew W.**
Mason, Olathe, KS (US)

(73) Assignee: **Garmin Switzerland GmbH** (CH)

(**) Term: **15 Years**

(21) Appl. No.: **29/555,024**

(22) Filed: **Feb. 17, 2016**

(51) **LOC (10) Cl.** **10-02**

(52) **U.S. Cl.**
USPC **D10/38; D10/30**

(58) **Field of Classification Search**
USPC **D10/1-29, 30-39, 122-132; D14/344;**
D11/3

CPC .. **G04B 37/0058; G04B 37/18; G04B 37/081;**
G04B 37/082; G04B 17/08; G04B 19/06;
G04B 19/065; G04B 19/10; G04B 19/12;
G04B 19/24; G04B 19/26; G04B 19/268;
G04B 17/00; G04B 17/005; G04B
17/285; G04B 45/00; G04B 45/0069;
G04B 45/0076

See application file for complete search history.

(56) **References Cited**

U.S. PATENT DOCUMENTS

D245,898 S * 9/1977 Nilson D10/38
D304,305 S * 10/1989 Morishima D10/30
D355,132 S * 2/1995 Williams D10/31
6,329,903 B1 * 12/2001 Yamamori H01Q 1/273
340/7.63
D453,688 S * 2/2002 Bodino D10/32
D468,648 S * 1/2003 Starck D10/38

D474,981 S * 5/2003 Wilson D10/32
D488,391 S * 4/2004 Kume D10/32
D508,210 S * 8/2005 Lalo D10/30
D550,101 S * 9/2007 Umebayashi D10/32
D566,582 S * 4/2008 Genender D10/38
D610,476 S * 2/2010 Daniel D10/65

(Continued)

FOREIGN PATENT DOCUMENTS

JP 5361900 B2 * 12/2013 A44C 17/0275

OTHER PUBLICATIONS

Printout from <https://buy.garmin.com/en-US/US/prod529988.html>
published prior to Dec. 16, 2015.

(Continued)

Primary Examiner — Sheryl Lane

Assistant Examiner — Samantha Wood

(74) *Attorney, Agent, or Firm* — Samuel M. Korte; Max
M. Ali

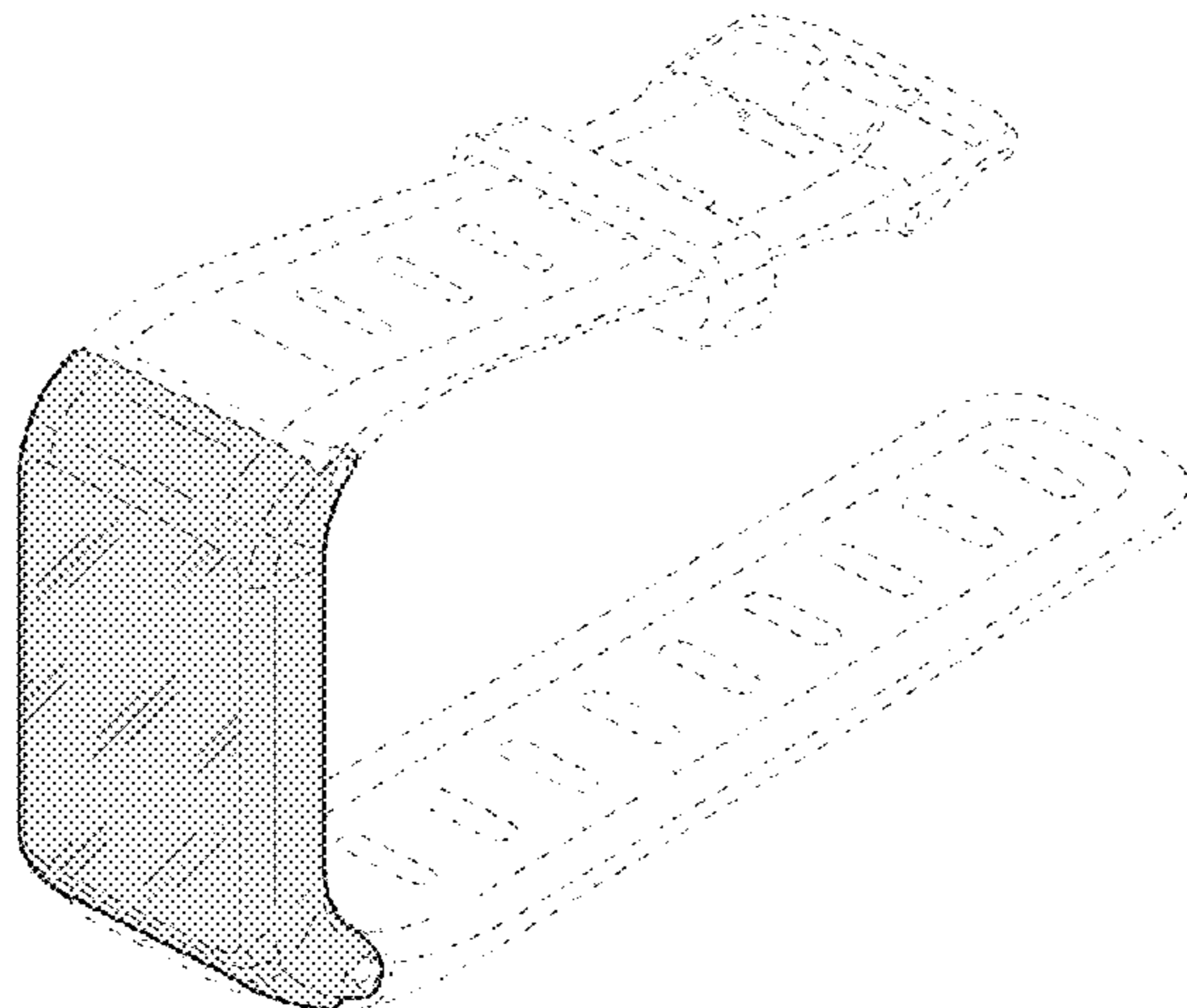
(57) **CLAIM**

The ornamental design for a watch with display, as shown
and described.

DESCRIPTION

FIG. 1 is a front perspective view of a watch with display
according to the present invention;
FIG. 2 is a rear perspective view of the watch with display;
FIG. 3 is a top view of the watch with display;
FIG. 4 is a front view of the watch with display;
FIG. 5 is a bottom view of the watch with display;
FIG. 6 is a rear view of the watch with display;
FIG. 7 is a left side view of the watch with display; and,
FIG. 8 is a right side view of the watch with display.
The structural features depicted by broken lines have been
shown for the purpose of illustrating portions of the watch
with display that form no part of the claimed design.

1 Claim, 3 Drawing Sheets



(56)

References Cited

U.S. PATENT DOCUMENTS

D621,808 S * 8/2010 Kim D14/138 R
 D636,686 S * 4/2011 Cobbett D10/38
 D637,918 S * 5/2011 Cobbett D10/31
 D638,725 S * 5/2011 Morrison D10/39
 D638,736 S * 5/2011 Cobbett D11/3
 D661,206 S * 6/2012 Register D10/38
 D664,868 S * 8/2012 Armstrong D10/38
 8,301,211 B2 * 10/2012 Lee H04M 1/274525
 340/539.11
 D703,069 S * 4/2014 Adams D10/31
 D714,179 S * 9/2014 Park D11/3
 D715,668 S * 10/2014 Roush D10/70
 D717,759 S * 11/2014 Choi D10/38
 D719,123 S * 12/2014 Park D10/38
 D720,074 S * 12/2014 Suvilaakso D24/167
 D720,248 S * 12/2014 Law D11/3
 D721,701 S * 1/2015 Al-Nasser D14/344
 D721,978 S * 2/2015 Tovar D10/31
 D727,183 S * 4/2015 Park D10/70
 D735,587 S * 8/2015 Squires D10/32
 D742,254 S * 11/2015 Greusel D10/30
 D743,820 S * 11/2015 Song D10/30
 D747,714 S * 1/2016 Erbeus D10/32
 D768,858 S * 10/2016 Komulainen D24/167
 D772,081 S * 11/2016 Lee D10/30

D773,318 S * 12/2016 Wong D10/32
 2011/0003665 A1 * 1/2011 Burton G04F 10/00
 482/9
 2012/0168471 A1 * 7/2012 Wilson A45F 5/00
 224/152

OTHER PUBLICATIONS

Printout from <https://buy.garmin.com/en-US/US/prod512478.html>
 published prior to Dec. 16, 2015.
 Printout from <https://buy.garmin.com/en-US/US/into-sports/health-fitness/vivofit-2/prod504038.html> published prior to Oct. 26, 2015.
 Printout from https://secure-nikeplus.nike.com/plus/products/sport_watch/ printed prior to May 9, 2014.
 Printout from <http://www.cnet.com/products/samsung-gear-fit/> published prior to Oct. 26, 2015.
 Printout from <https://www.microsoft.com/microsoft-band/en-us/get-started>, published prior to Oct. 26, 2015.
 Printout from <https://buy.garmin.com/en-US/US/prod134491.html> published prior to Feb. 17, 2016.
 Printout from <http://www.polar.com/us-en/products/sport/M400> published prior to Feb. 17, 2016.
 Printout from <http://us.papagoinc.com/products/gowatch-770/> published prior to Feb. 17, 2016.
 Images of Fitbit Surge HR published prior to Dec. 16, 2015.
 Images of TomTom GPS watch published prior to Dec. 16, 2015.

* cited by examiner

Fig. 1

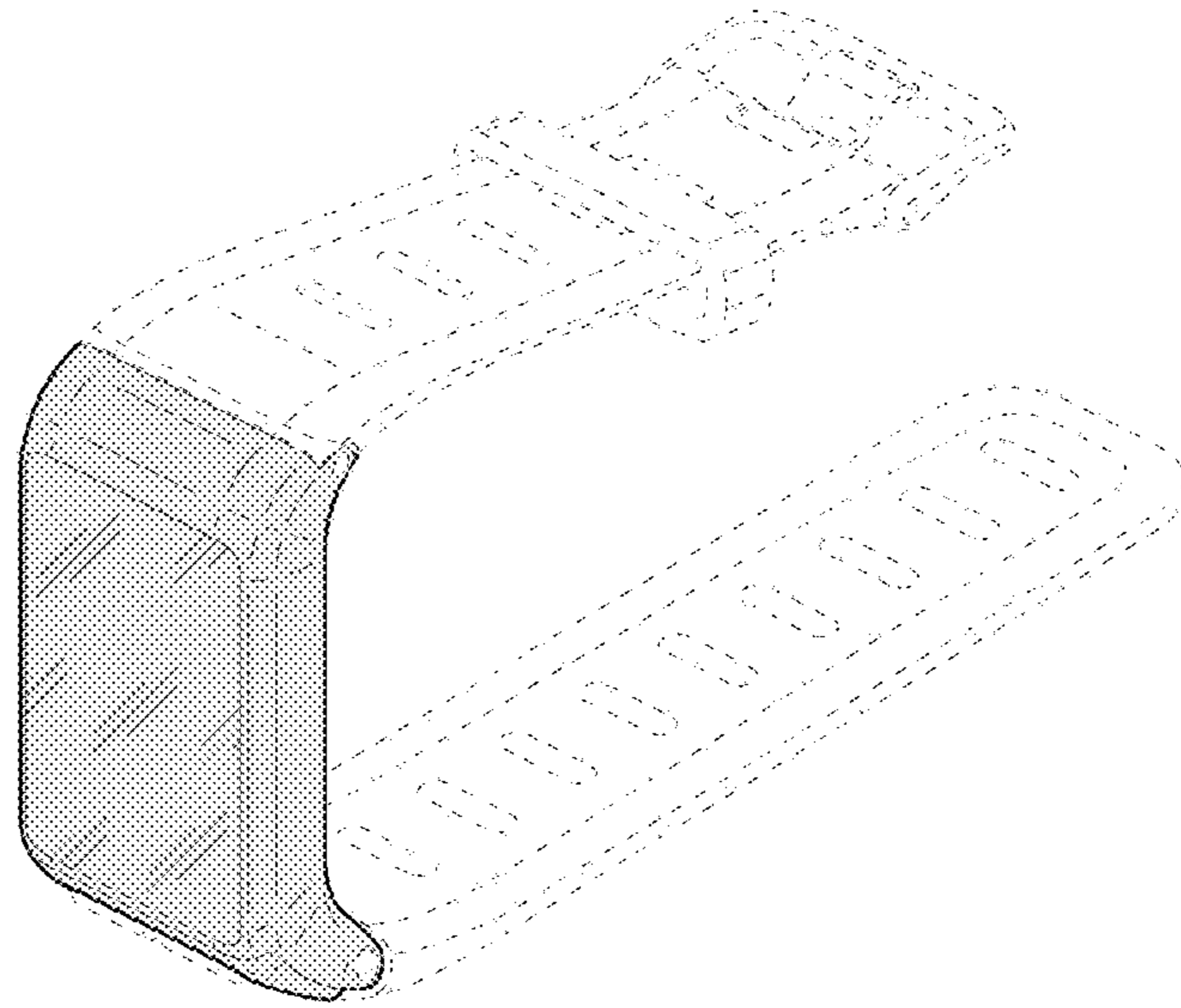
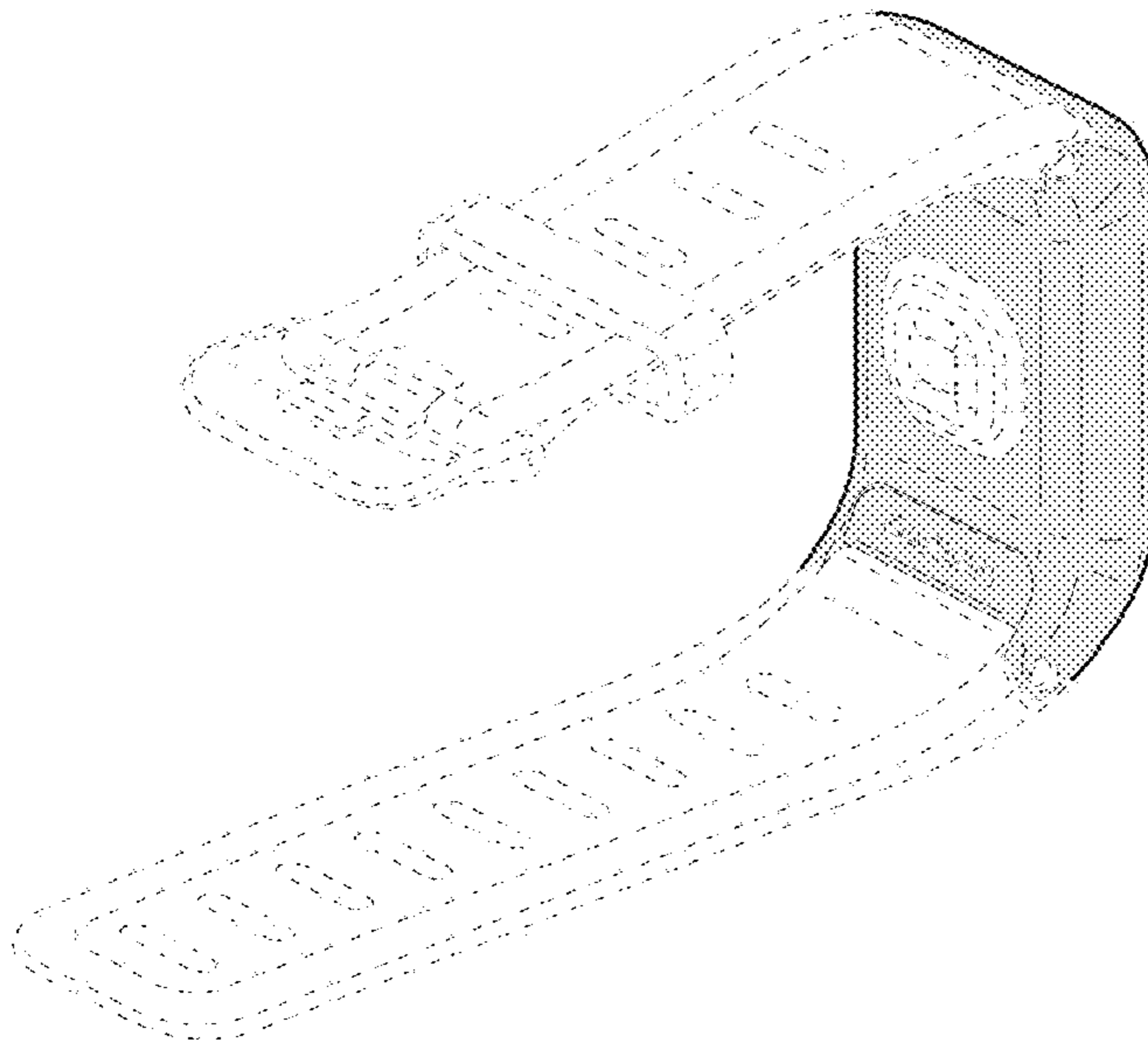


Fig. 2



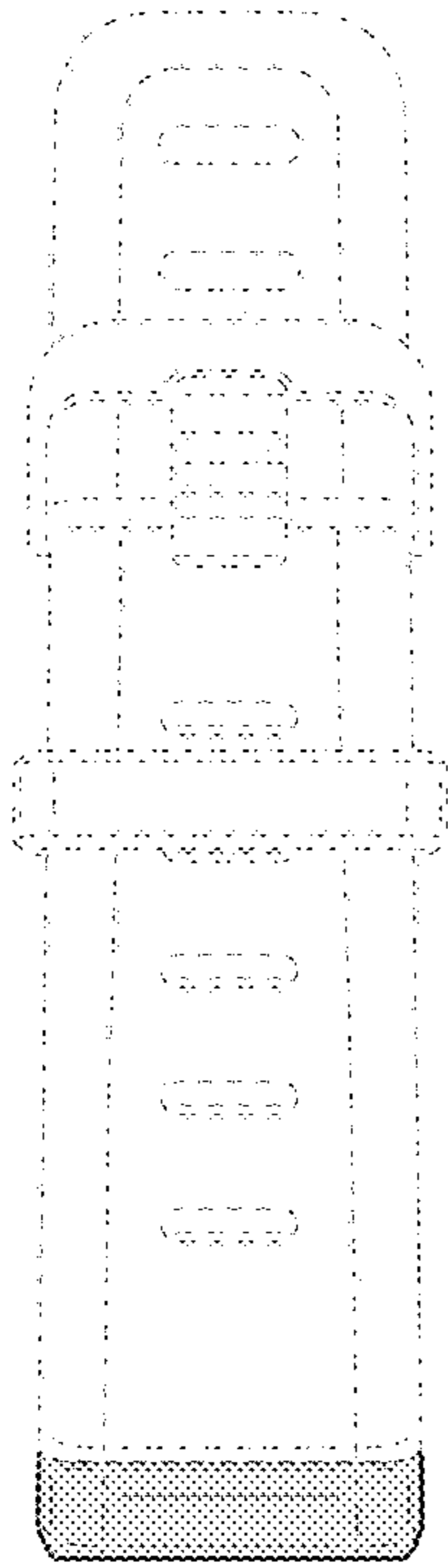


Fig. 3

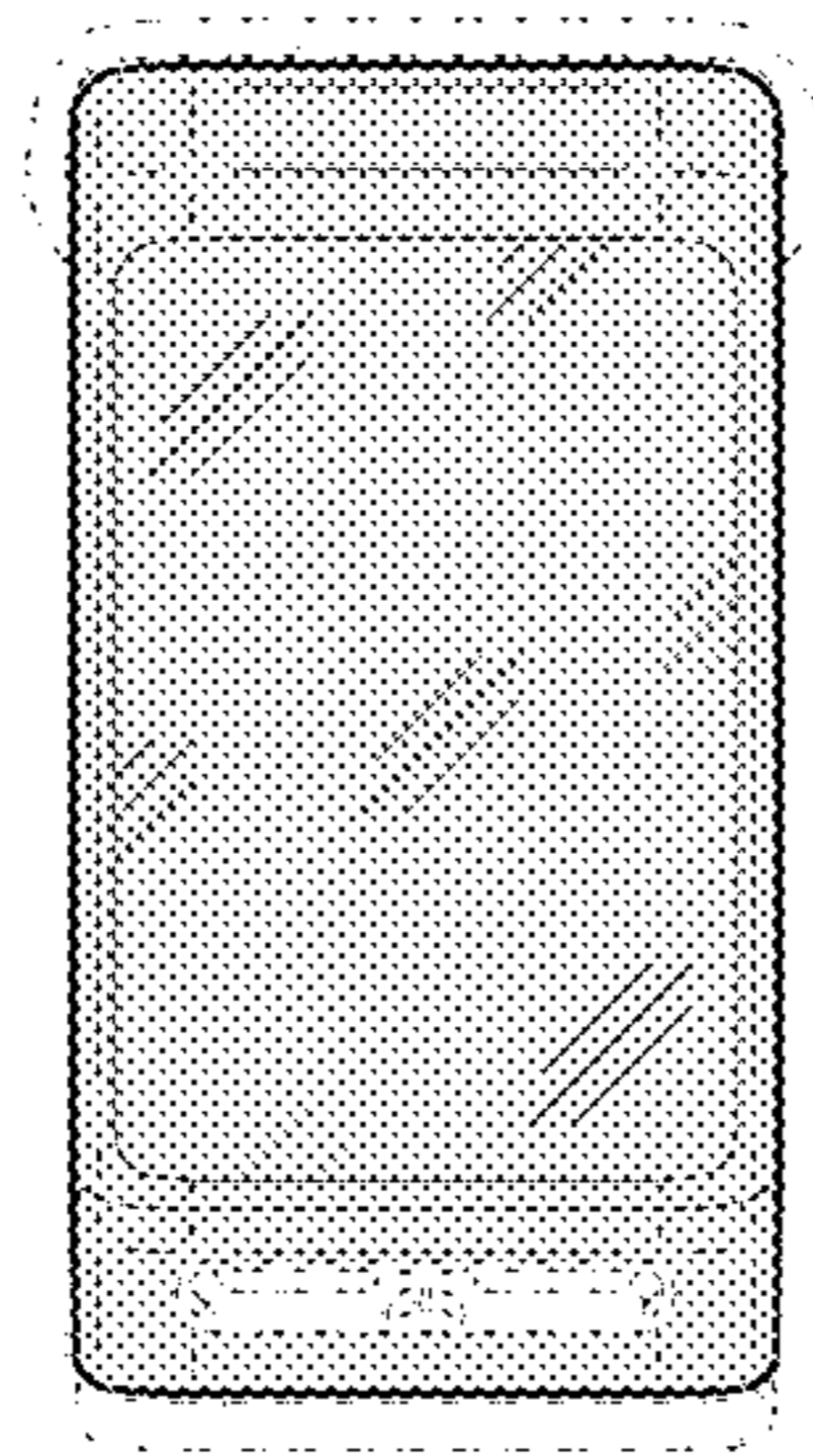


Fig. 4

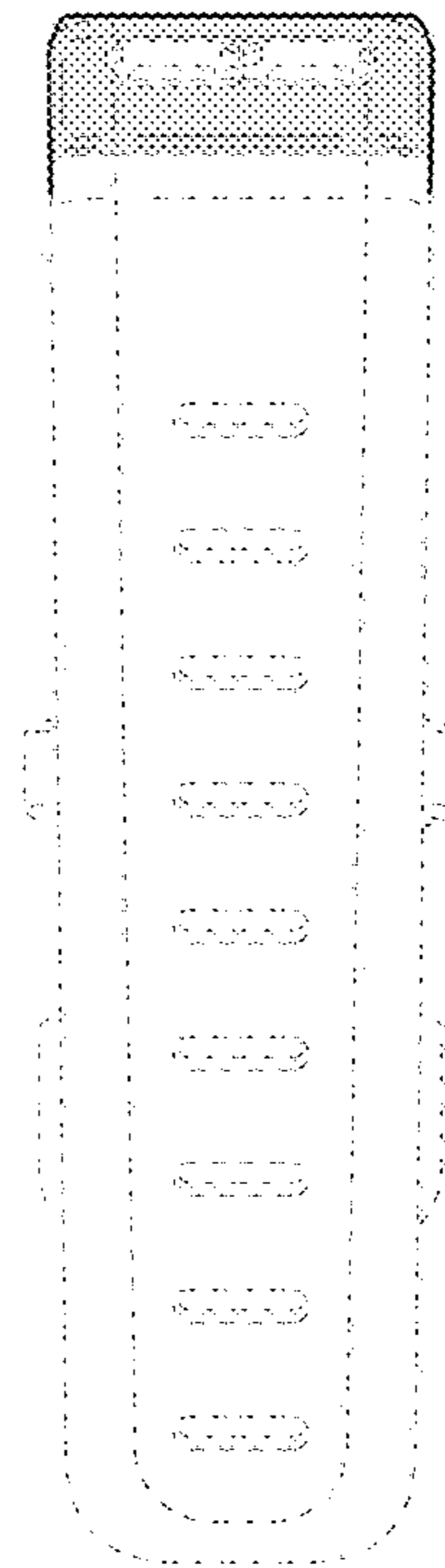


Fig. 5

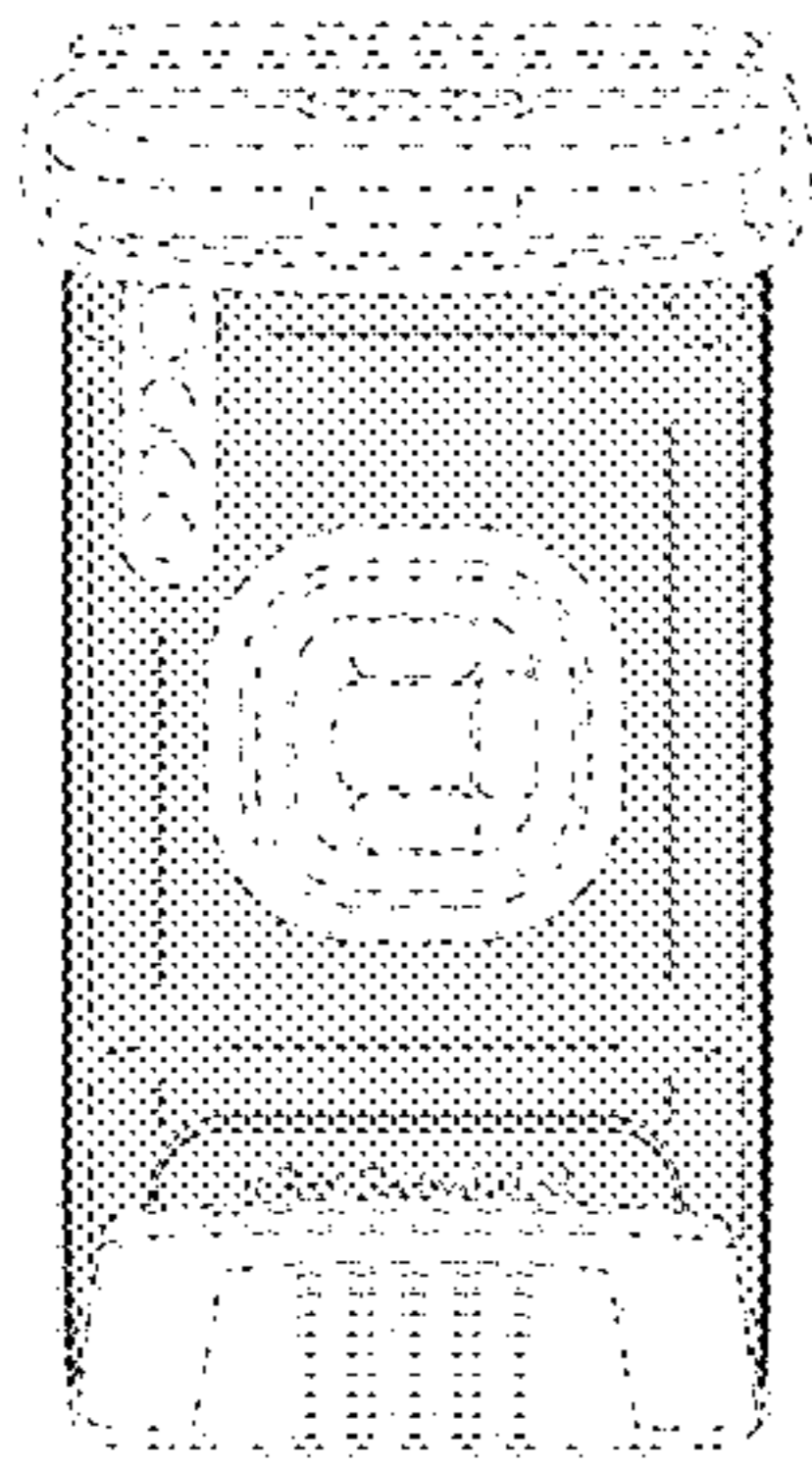


Fig. 6

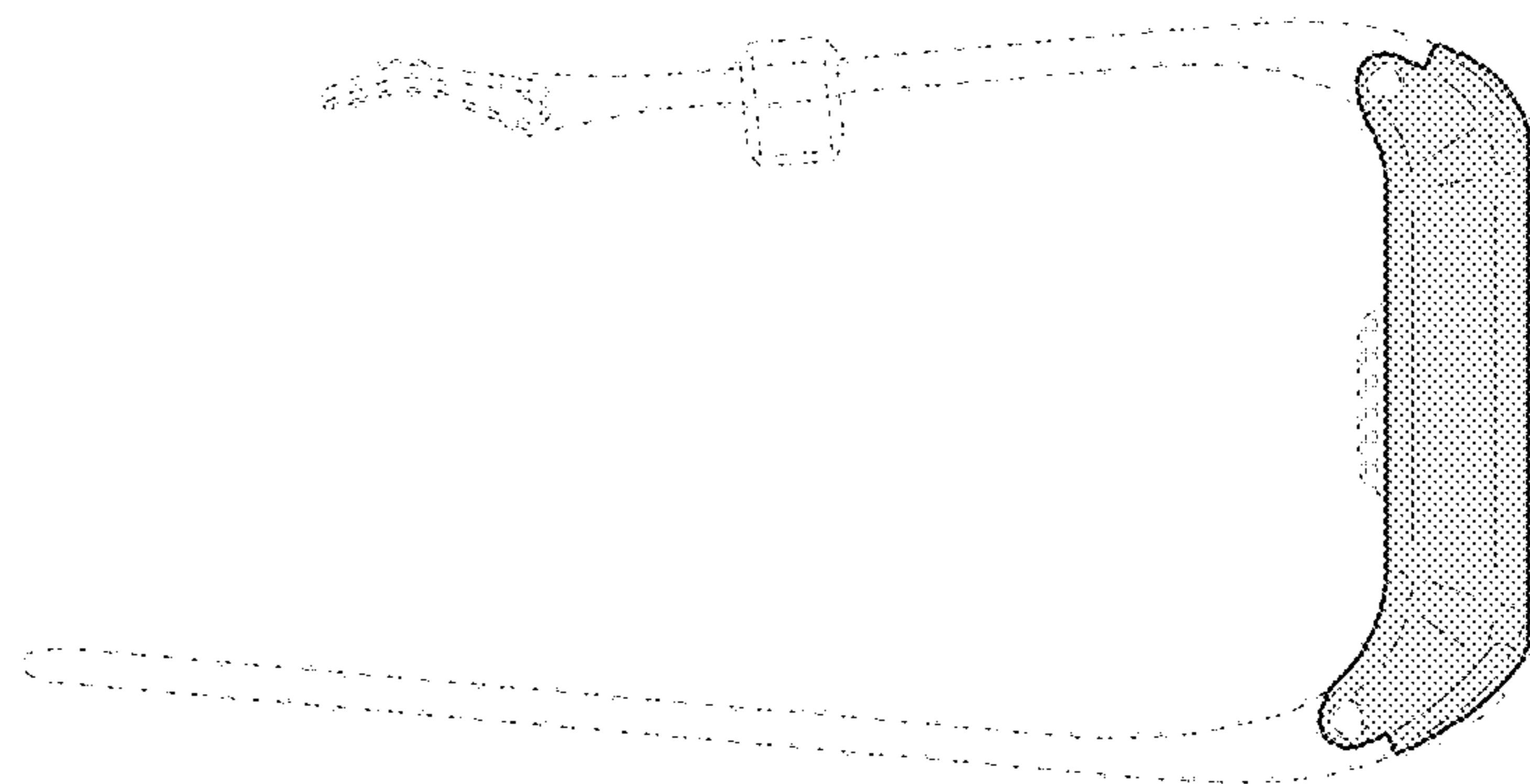


Fig. 7

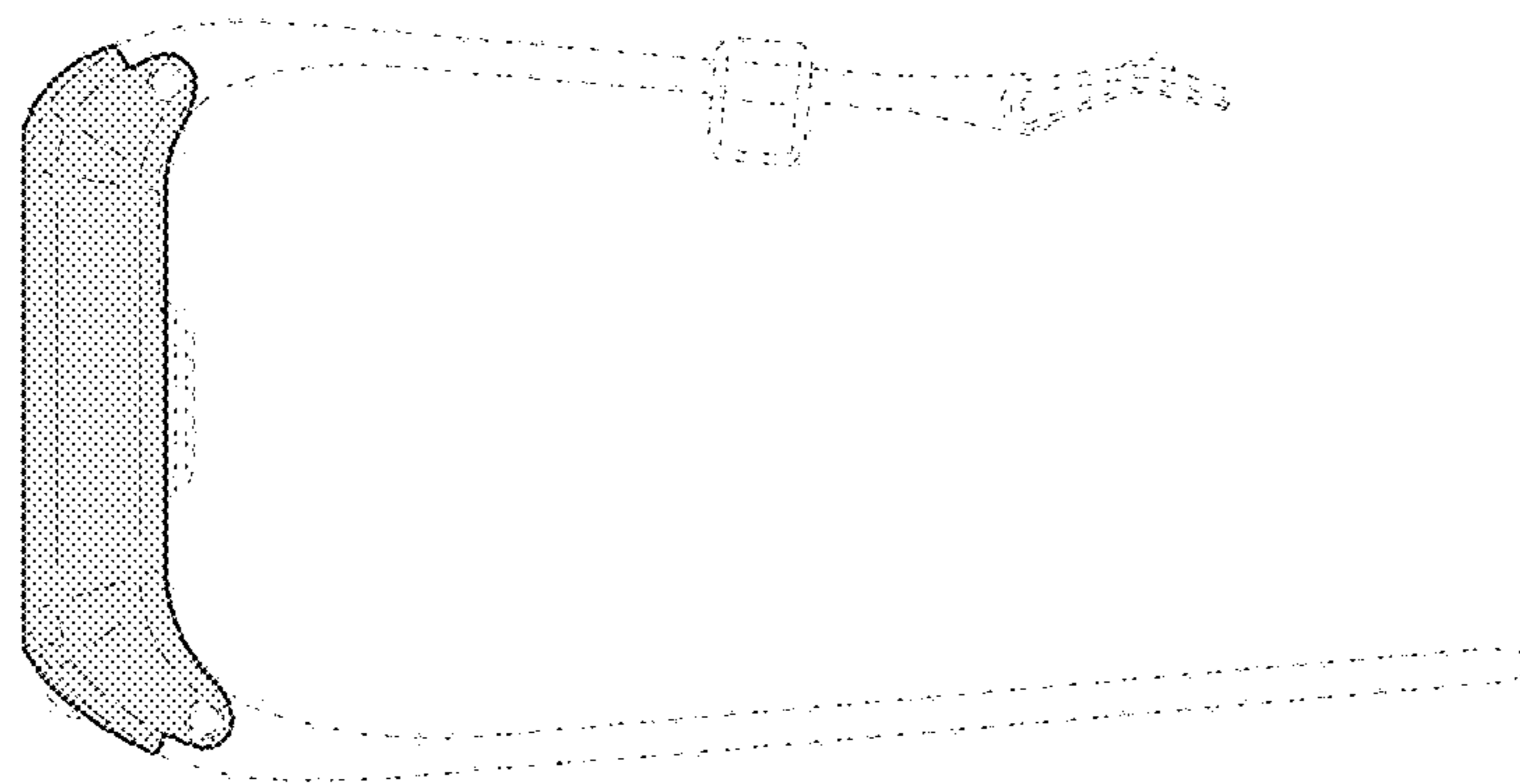


Fig. 8