



US00D786704S

(12) **United States Design Patent**
Behling

(10) **Patent No.:** **US D786,704 S**

(45) **Date of Patent:** **** May 16, 2017**

(54) **WATCH**

(71) Applicant: **LVMH Swiss Manufactures SA**, La
Chaux-de-Fonds (CH)

(72) Inventor: **Christoph Behling**, London (GB)

(73) Assignee: **LVMH Swiss Manufactures SA**, La
Chaux-de-Fonds (CH)

(**) Term: **15 Years**

(21) Appl. No.: **29/530,530**

(22) Filed: **Jun. 17, 2015**

(30) **Foreign Application Priority Data**

Dec. 19, 2014 (WO) DM/85258

(51) **LOC (10) Cl.** **10-01**

(52) **U.S. Cl.**
USPC **D10/38**

(58) **Field of Classification Search**

USPC D10/1-39, 122-132; 248/114; 224/165;
368/80, 223, 228, 232, 276, 281, 282,
368/288-290, 308, 319

CPC G04B 19/06; G04B 19/10; G04B 19/12;
G04B 19/08; G04B 19/103; G04B
19/106; G04B 47/042

See application file for complete search history.

(56) **References Cited**

U.S. PATENT DOCUMENTS

6,275,450 B1 * 8/2001 Makiba G04B 19/06
368/223
D707,139 S * 6/2014 Mille D10/39
D708,072 S * 7/2014 Oes D10/32

D708,077 S * 7/2014 Mille D10/31
D725,500 S * 3/2015 Biver D10/124
D733,584 S * 7/2015 Kamilindi D10/39
D734,172 S * 7/2015 Nishi D10/124
D734,177 S * 7/2015 Kamilindi D10/126
D738,237 S * 9/2015 Song D10/30
D740,696 S * 10/2015 Monachon D10/126
D744,354 S * 12/2015 Loth D10/126
D744,866 S * 12/2015 Behling D10/126

OTHER PUBLICATIONS

Crown Watch Blog [online] Retrieved on May 24, 2016 from URL:
<http://www.crownwatchblog.com/zenith/10-things-to-know-about-zenith>.*

* cited by examiner

Primary Examiner — Manpreet Matharu

Assistant Examiner — Keith Wilson

(74) *Attorney, Agent, or Firm* — Brown Rudnick LLP;
Mark S. Leonardo

(57) **CLAIM**

The ornamental design for a watch, as shown and described.

DESCRIPTION

FIG. 1 illustrates a perspective view of a watch employing an ornamental design in accordance with the present invention;

FIG. 2 illustrates a front view of the watch of FIG. 1;

FIG. 3 illustrates a back view of the watch of FIG. 1;

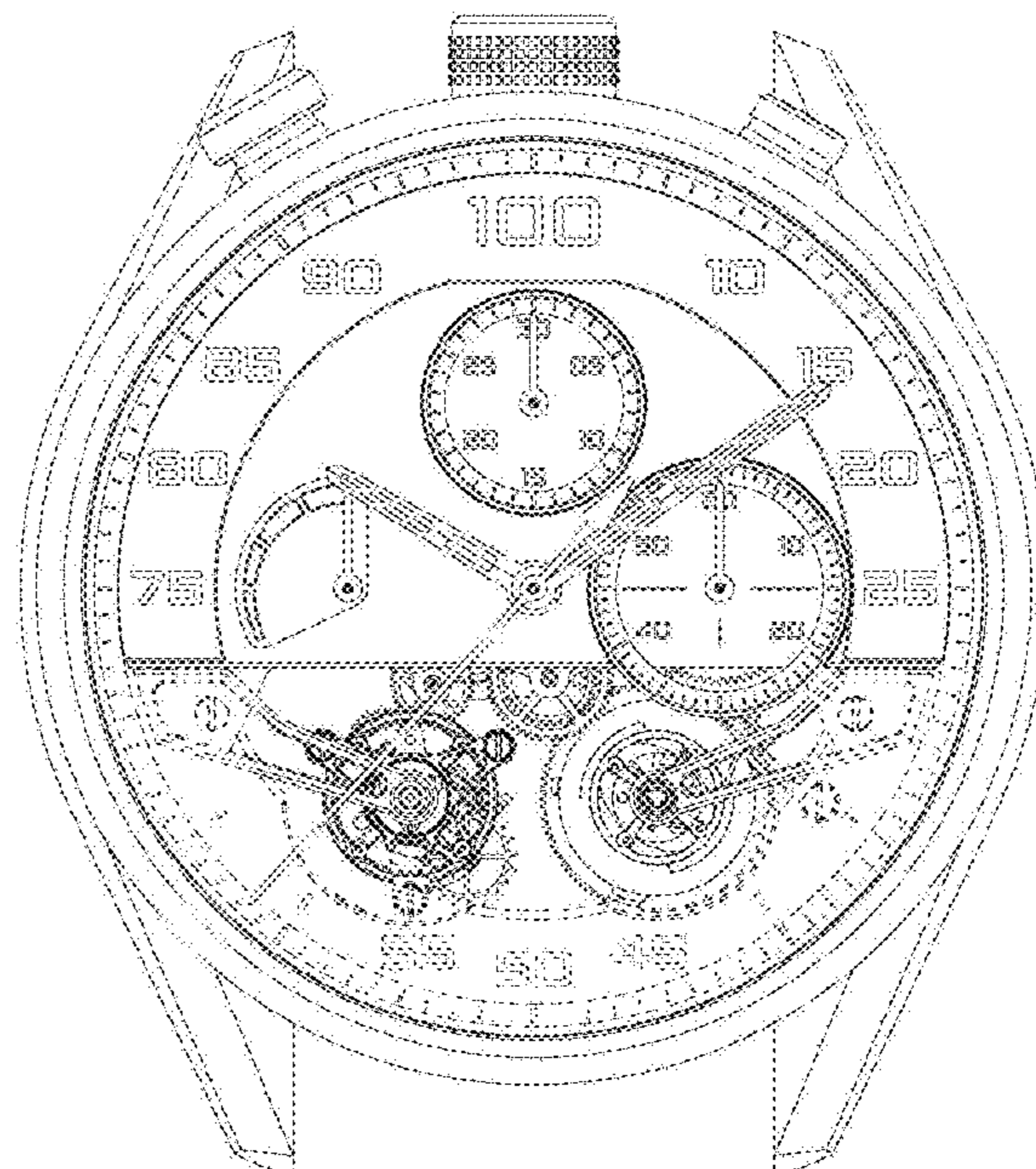
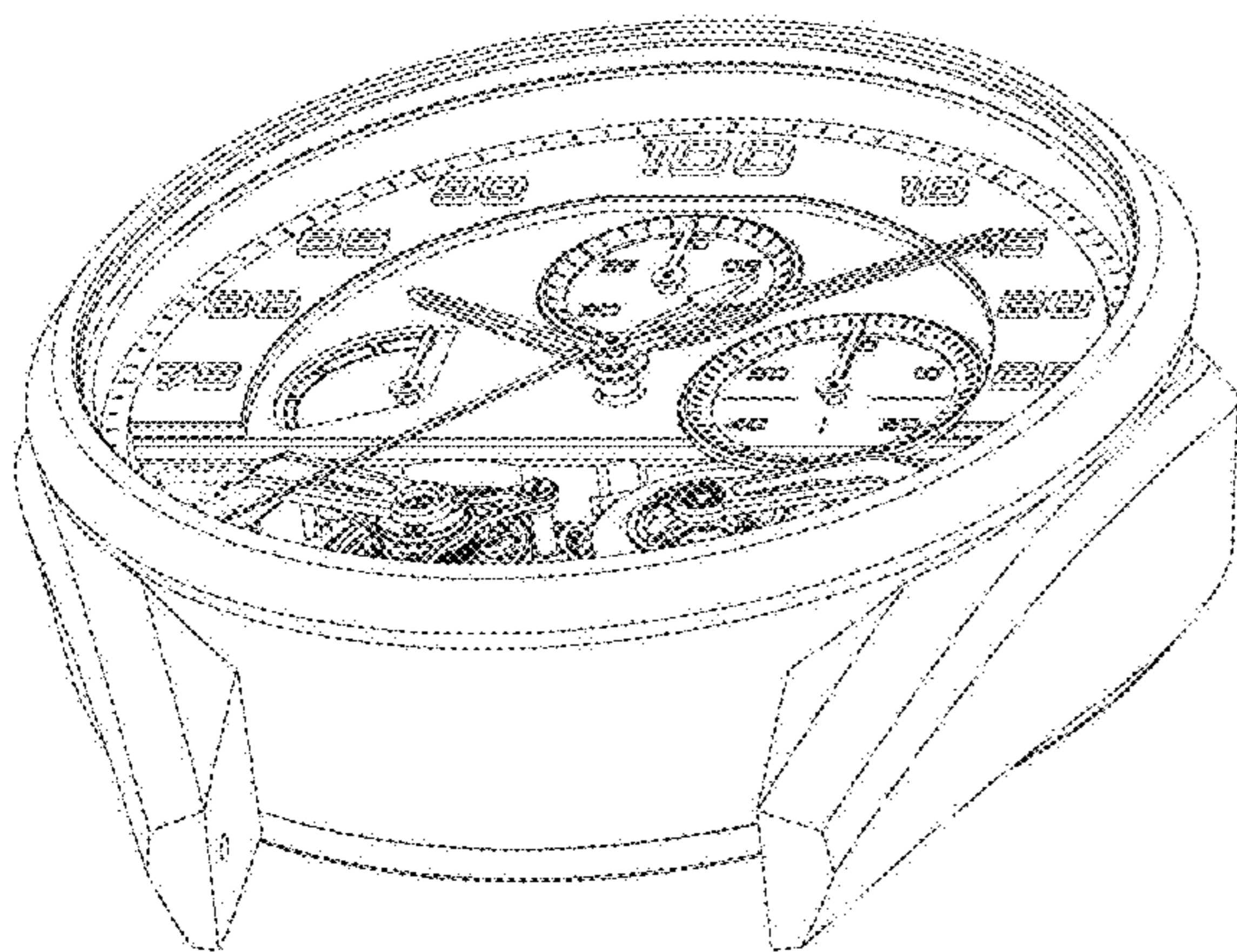
FIG. 4 illustrates a left side view of the watch of FIG. 1;

FIG. 5 illustrates a right side view of the watch of FIG. 1;

FIG. 6 illustrates a top view of the watch of FIG. 1; and,

FIG. 7 illustrates a bottom view of the watch of FIG. 1.

1 Claim, 5 Drawing Sheets



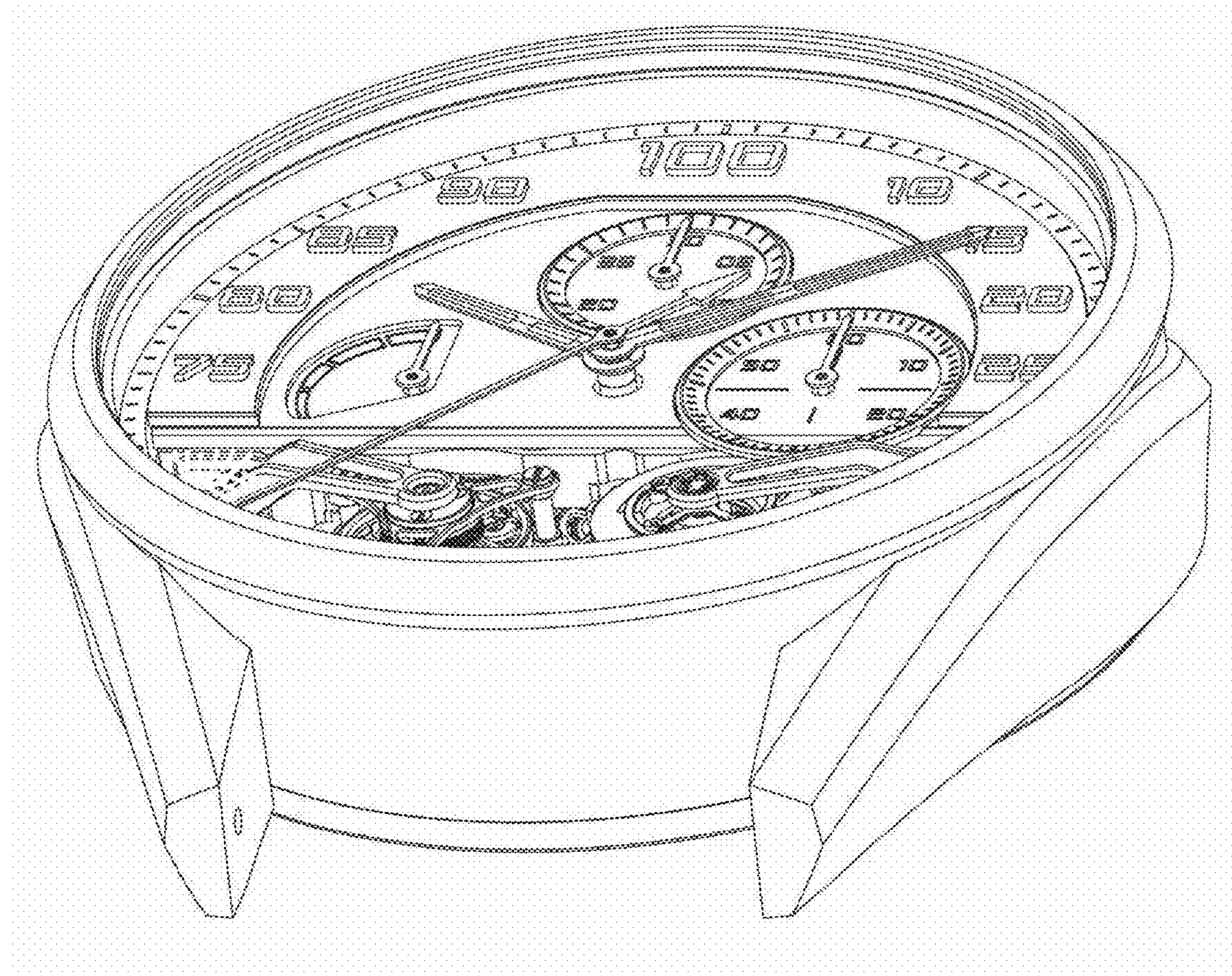


FIG. 1

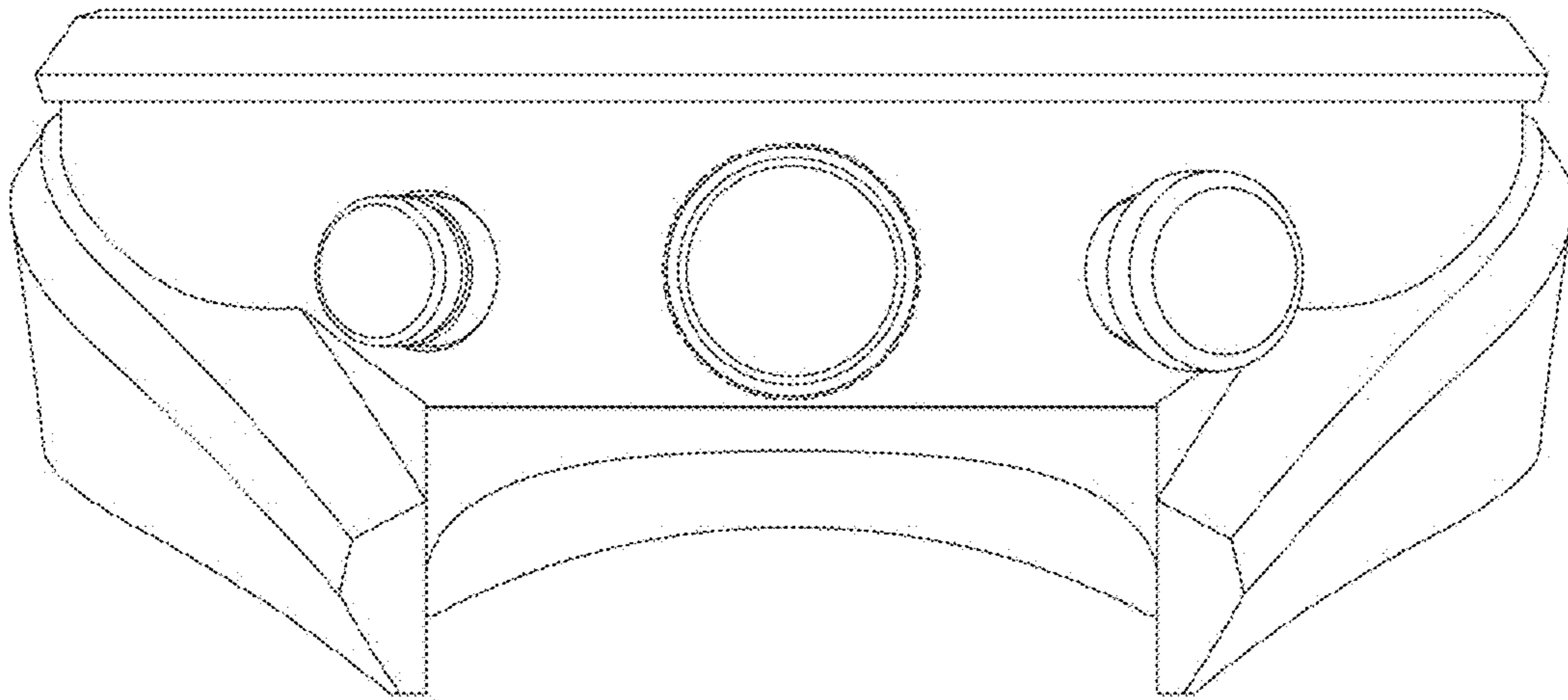


FIG. 2

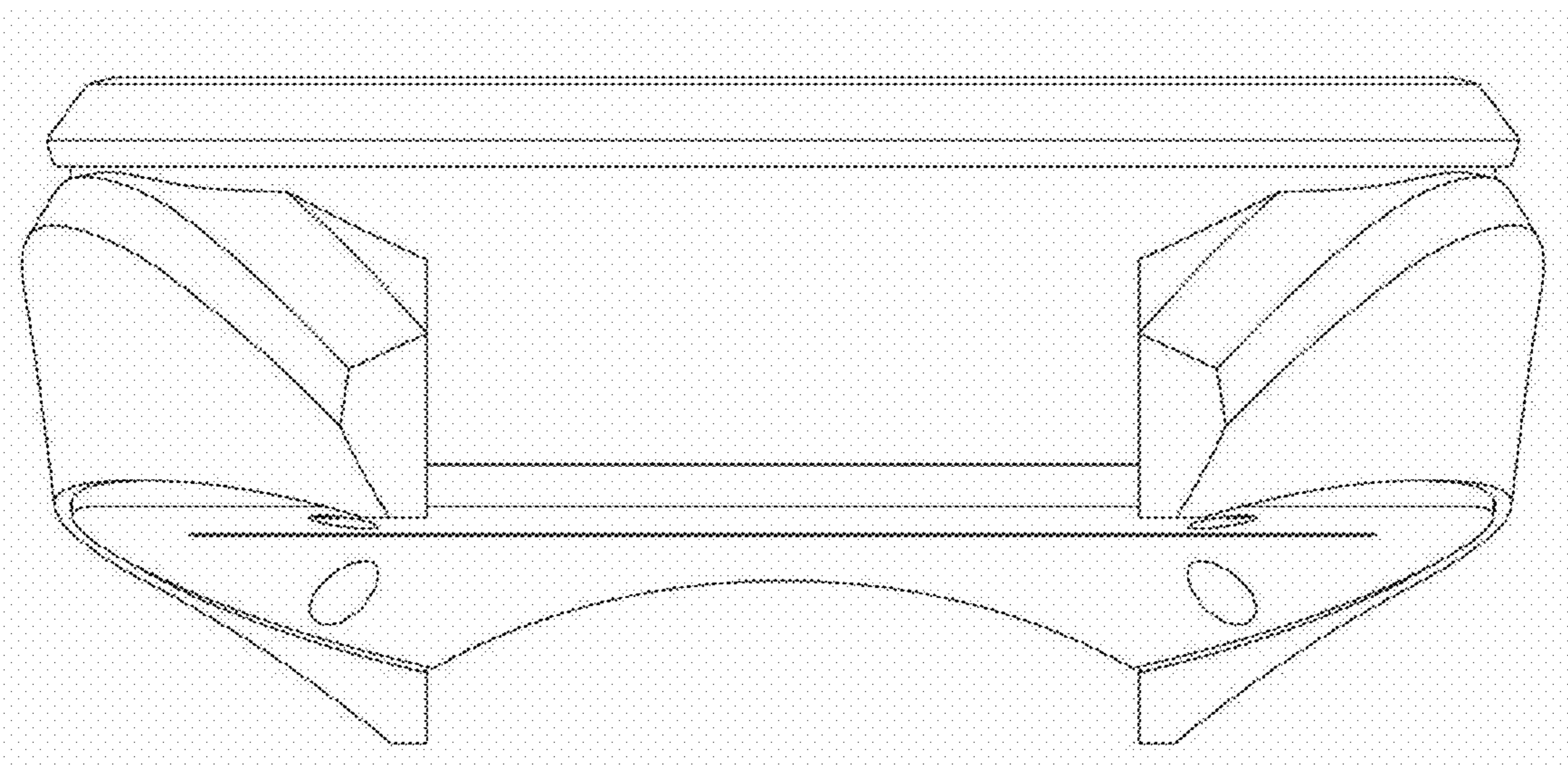


FIG. 3

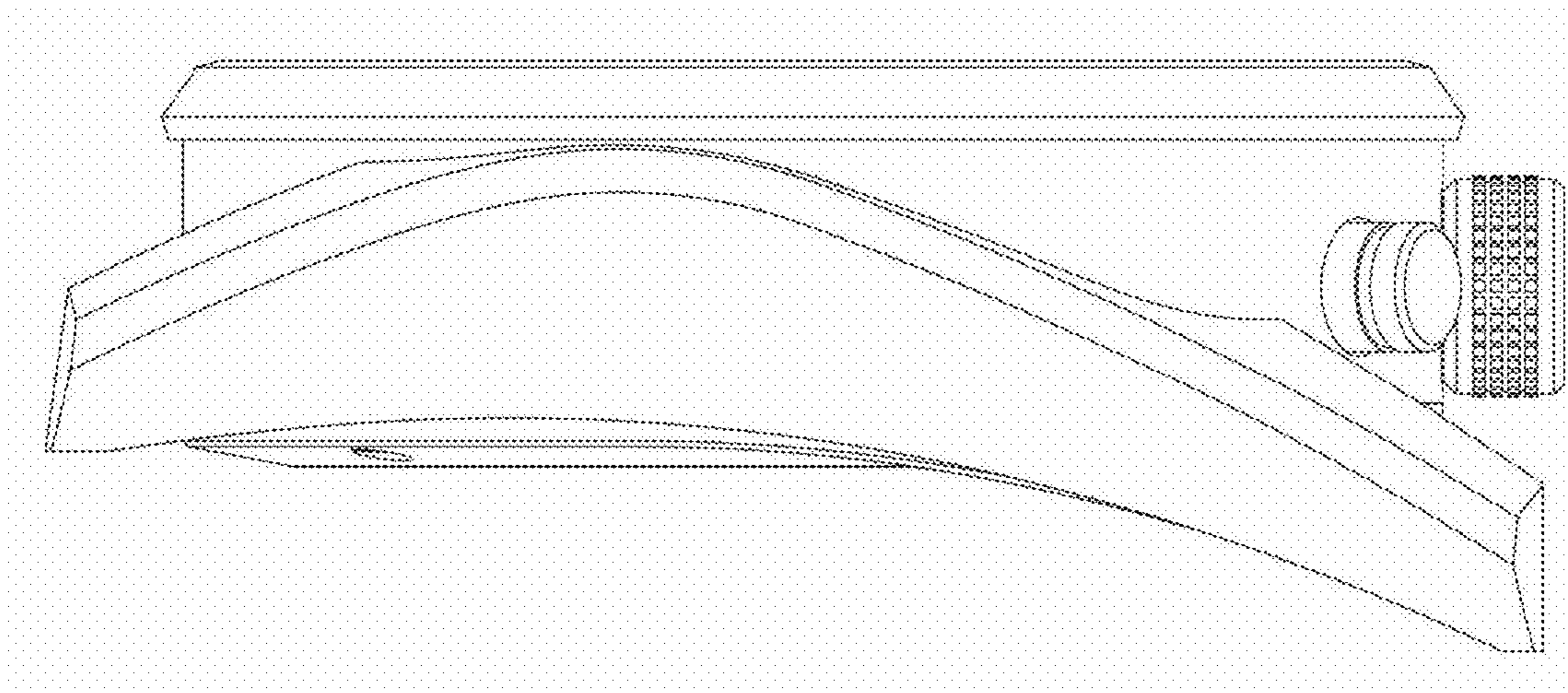
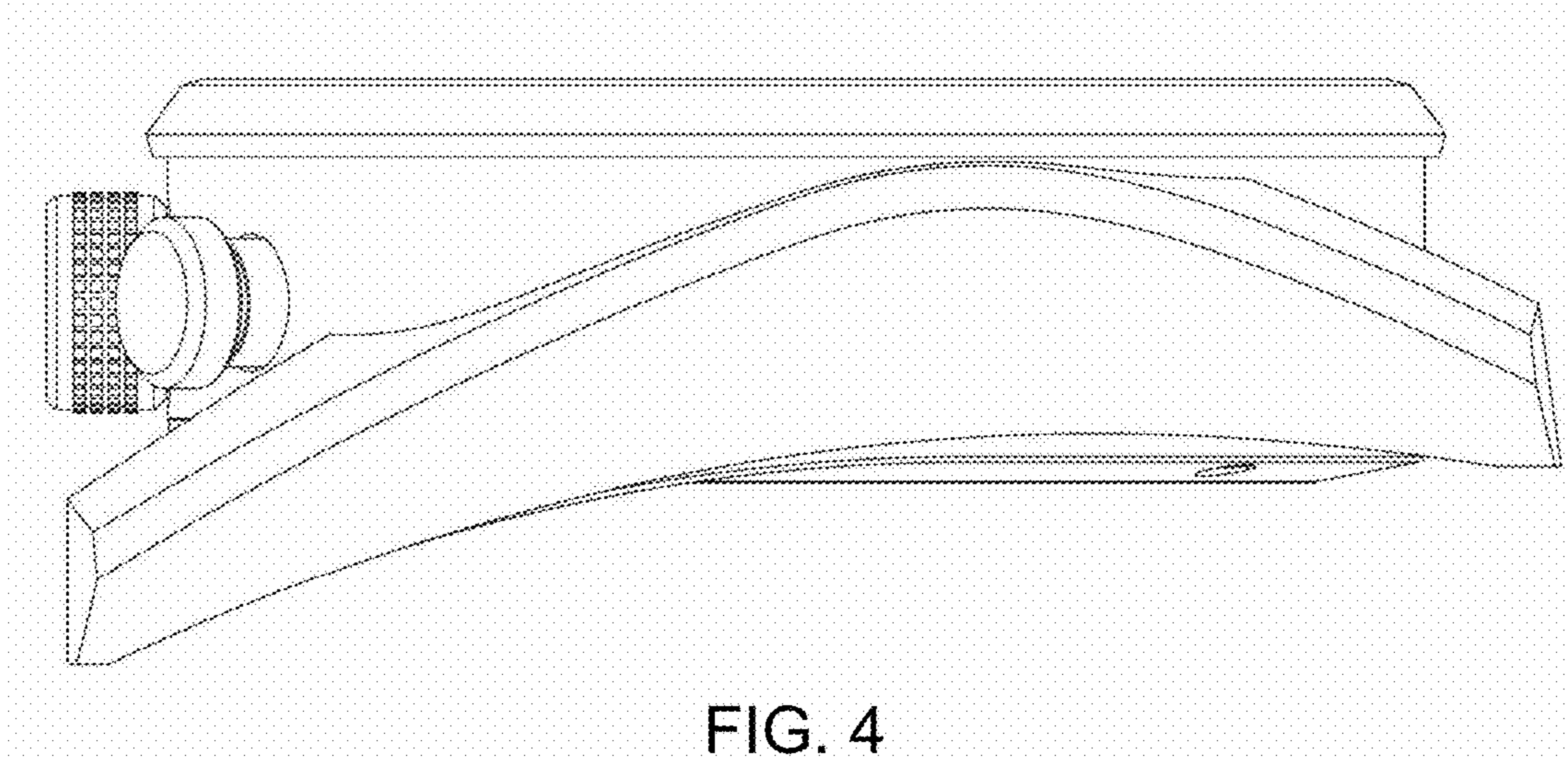


FIG. 5



FIG. 6

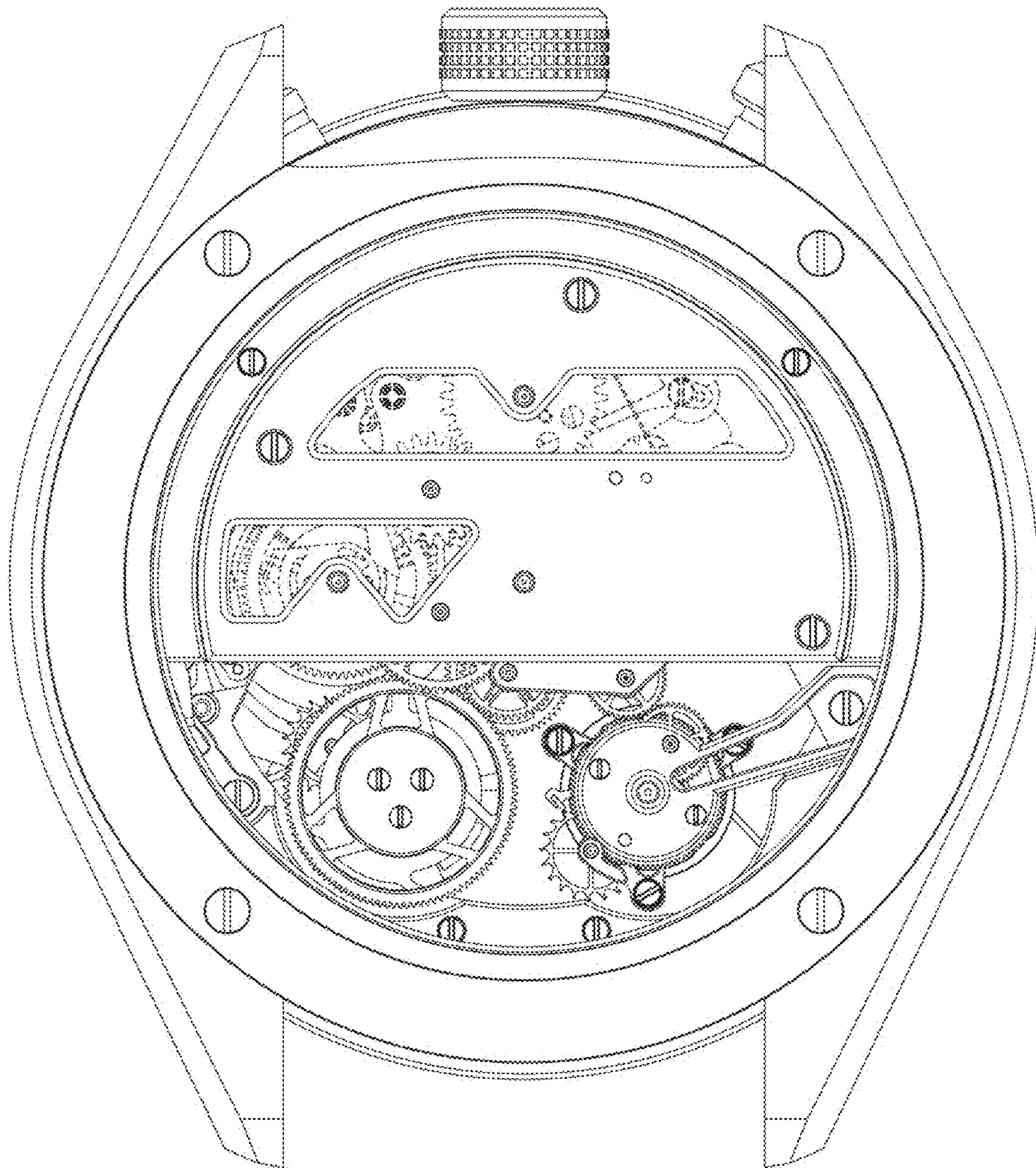


FIG. 7