



US00D786701S

(12) **United States Design Patent** (10) **Patent No.:** **US D786,701 S**  
**Sowden** (45) **Date of Patent:** **\*\* May 16, 2017**

(54) **PHARMACEUTICAL PACKAGE**  
(71) Applicant: **JOHNSON & JOHNSON CONSUMER INC.**, Skillman, NJ (US)  
(72) Inventor: **Harry S. Sowden**, Glenside, PA (US)  
(73) Assignee: **Johnson & Johnson Consumer Inc.**, Skillman, NJ (US)  
(\*\*) Term: **14 Years**

(21) Appl. No.: **29/509,558**  
(22) Filed: **Nov. 19, 2014**  
(51) **LOC (10) Cl.** ..... **09-01**  
(52) **U.S. Cl.**  
USPC ..... **D9/732**  
(58) **Field of Classification Search**  
USPC ..... D9/414, 424, 456, 732, 737, 756, 759, D9/761; 206/5, 5.1, 261, 461, 462, 467, 206/469, 470, 471, 528, 530, 531, 532, 206/534, 534.1, 534.2, 535-540; D24/223, 227, 229, 230; D3/263, 264  
CPC ..... B65D 2575/3218; B65D 73/0035; B65D 75/58; B65D 85/00; B65D 75/366; B65D 75/36; B65D 2585/56; B65D 75/32; B65D 2585/545; B65D 83/0445; B65D 2575/3245; B65D 43/162; B65D 75/326; B65D 75/22; B65D 75/322; B65D 2543/00296; A61J 1/035; A61J 7/04; A61J 1/03; A61J 1/00; A61J 7/0069; A61J 7/0076; A61J 2205/40

See application file for complete search history.

(56) **References Cited**  
U.S. PATENT DOCUMENTS  
4,676,446 A \* 6/1987 Ciocarelli ..... B65H 35/0026 206/408  
D371,678 S \* 7/1996 Borghorst ..... D3/263  
D512,157 S \* 11/2005 Wu ..... D10/46  
D543,103 S \* 5/2007 Roche ..... D3/264  
D548,585 S \* 8/2007 Okabe ..... D9/420  
D645,764 S \* 9/2011 Mathis ..... D9/424  
D686,923 S \* 7/2013 Aldridge ..... D9/732  
2006/0283761 A1\* 12/2006 Gherdan ..... A61J 1/035 206/532

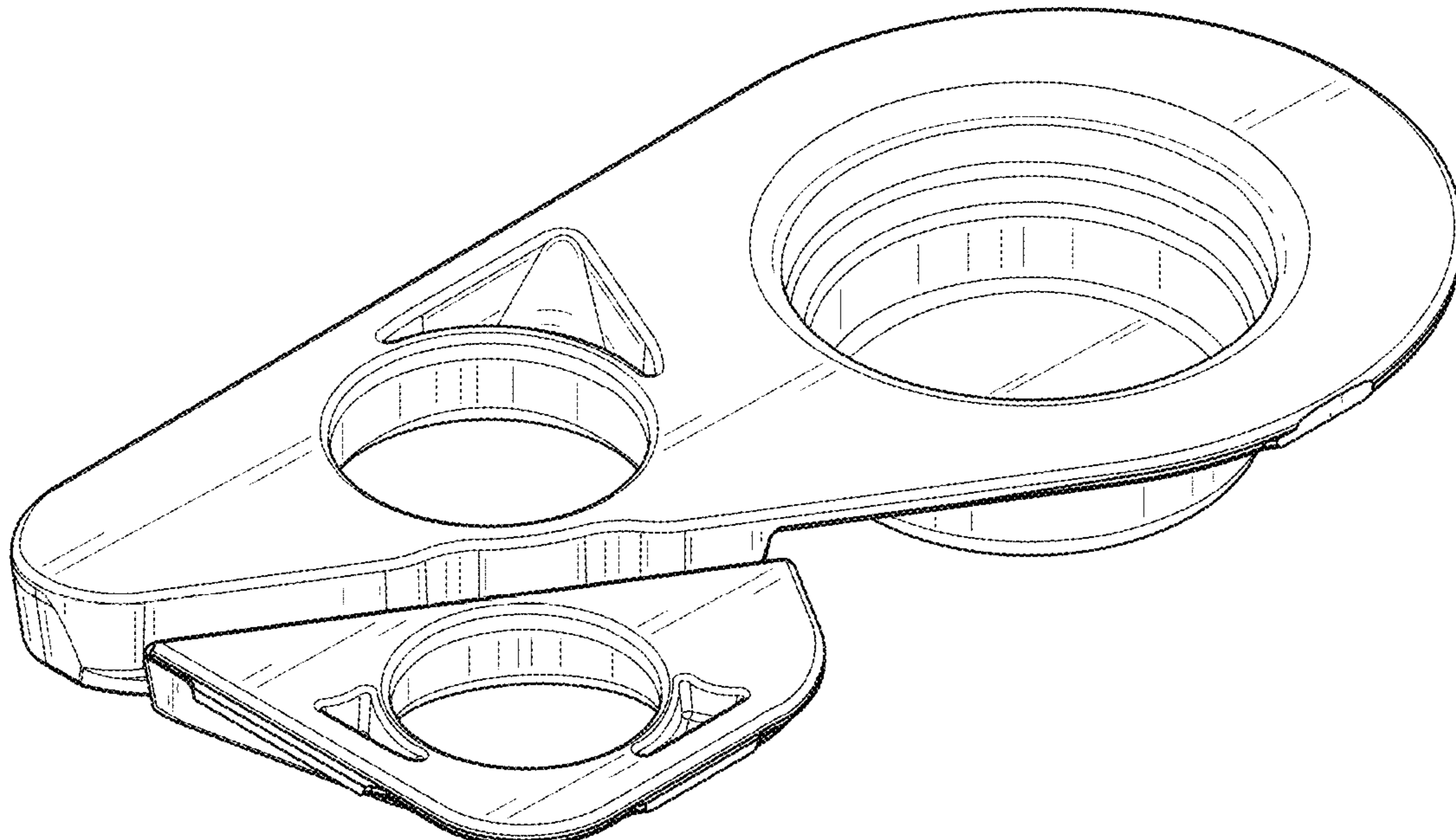
\* cited by examiner

*Primary Examiner* — Derrick Holland  
*Assistant Examiner* — Lauren Calve  
(74) *Attorney, Agent, or Firm* — Victor Tsu

(57) **CLAIM**  
I claim the ornamental design for a pharmaceutical package, as shown and described.

**DESCRIPTION**  
FIG. 1 is a perspective view of a pharmaceutical package showing my new design;  
FIG. 2 is a front plan view thereof;  
FIG. 3 is a back elevational view thereof;  
FIG. 4 is a left side view thereof;  
FIG. 5 is a right side view thereof;  
FIG. 6 is a top side view thereof; and,  
FIG. 7 is a bottom side view thereof.  
The broken lines shown represent unclaimed subject matter and form no part of the claimed design.

**1 Claim, 6 Drawing Sheets**



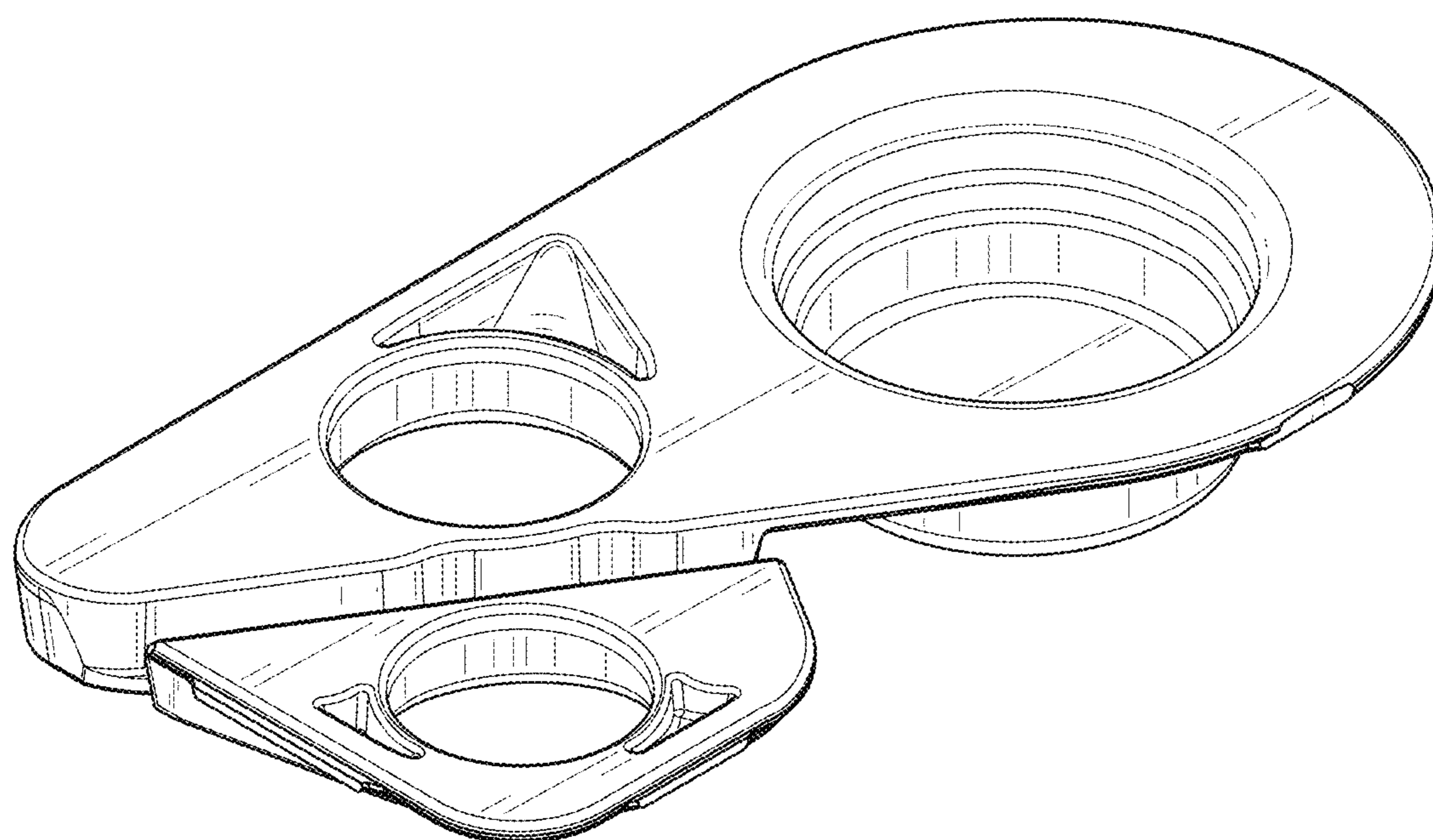


FIG. 1

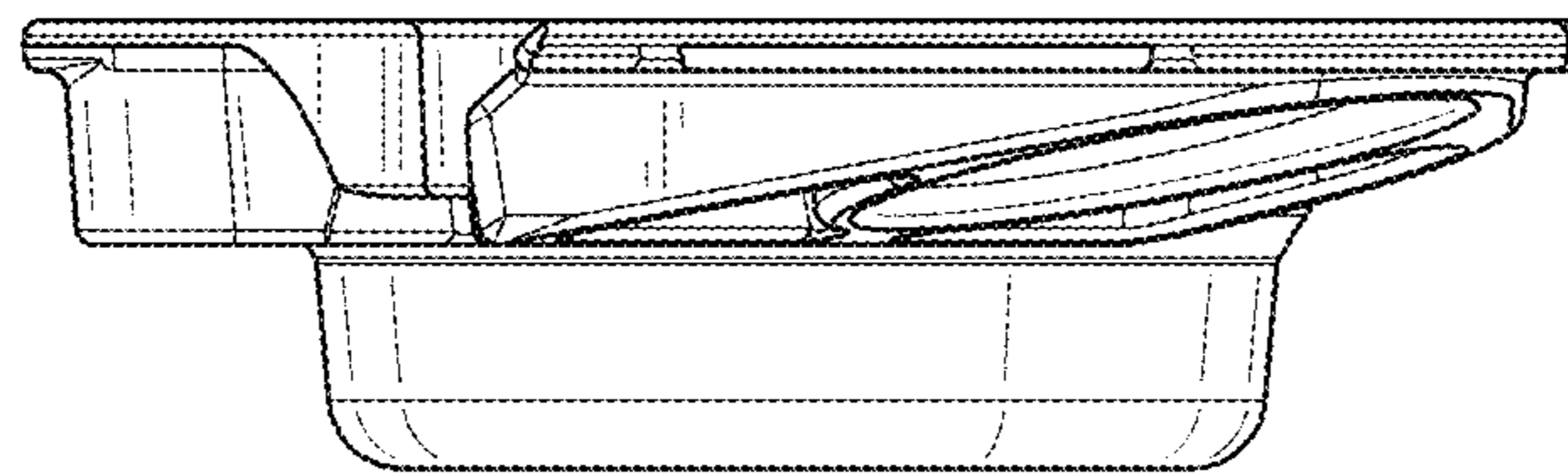


FIG. 2

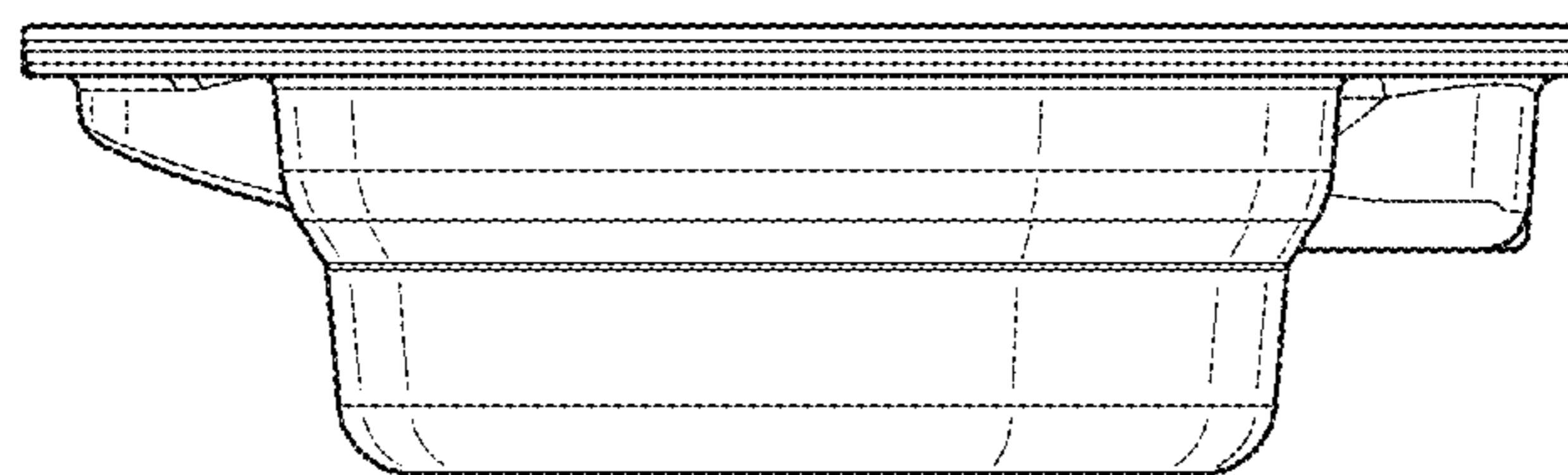


FIG. 3

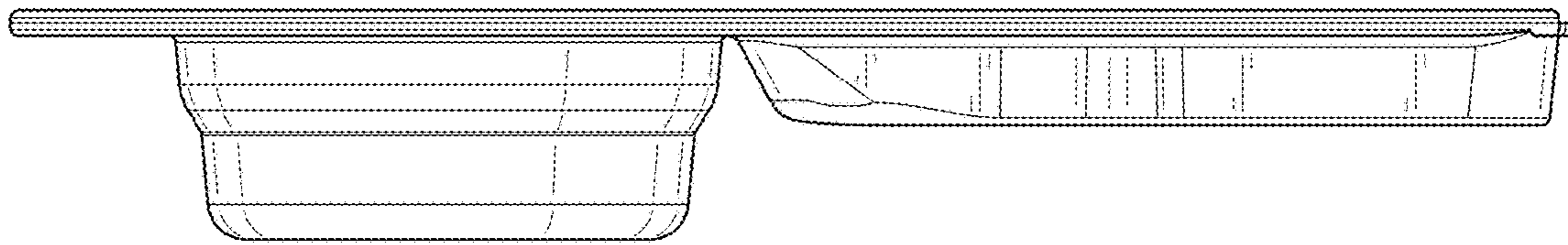


FIG. 4

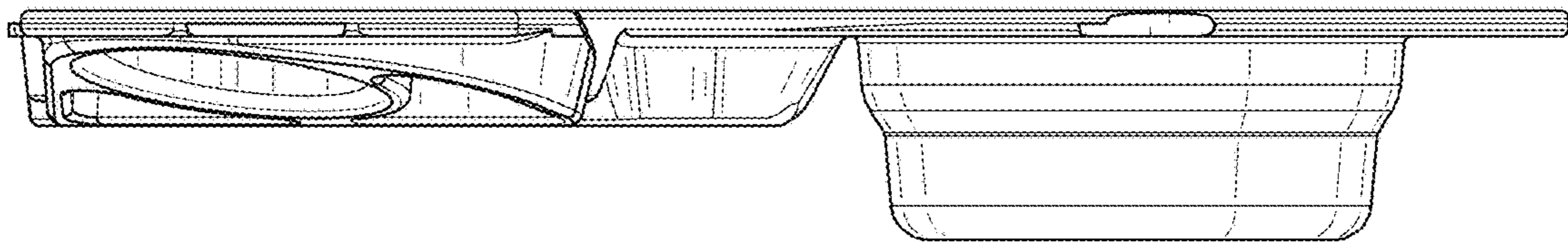


FIG. 5

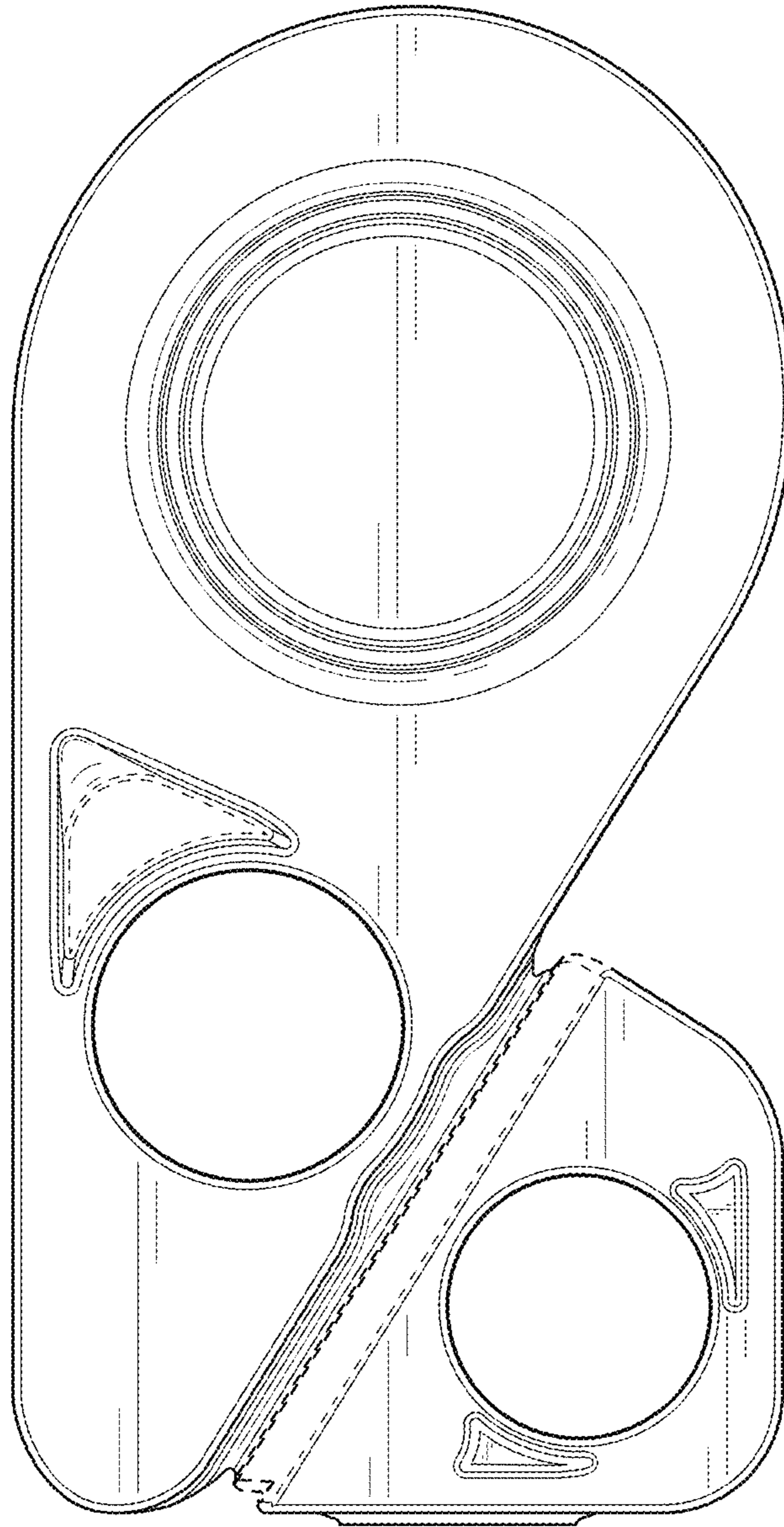


FIG. 6

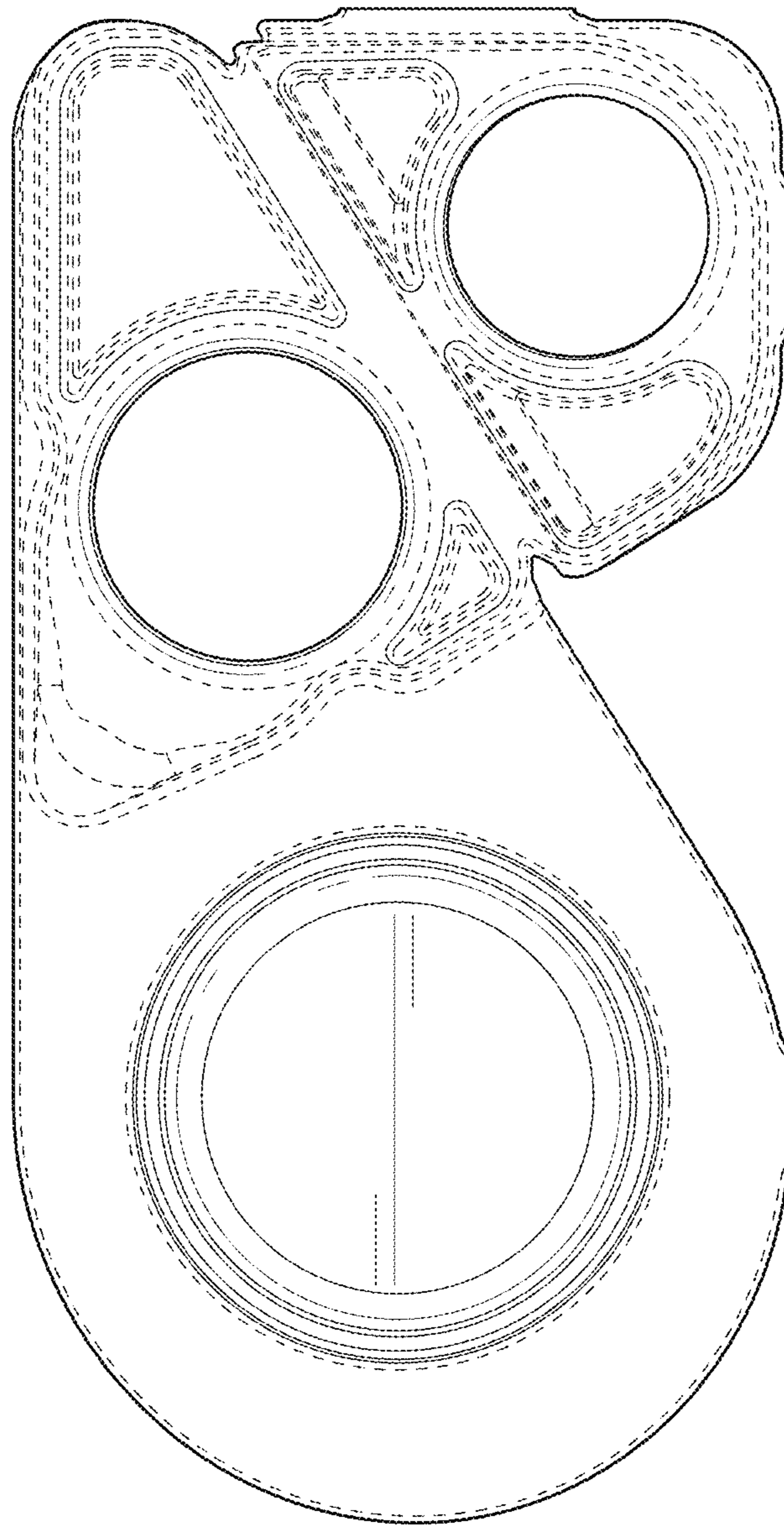


FIG. 7