



US00D786700S

(12) **United States Design Patent** (10) **Patent No.:** **US D786,700 S**
Schlatter et al. (45) **Date of Patent:** **** May 16, 2017**

(54) **COSMETIC CONTAINER**
(71) Applicant: **ORALABS, INC.**, Parker, CO (US)
(72) Inventors: **Gary Schlatter**, Parker, CO (US);
Chris P. Turner, Parker, CO (US)
(**) Term: **15 Years**
(21) Appl. No.: **29/564,071**
(22) Filed: **May 10, 2016**
(51) **LOC (10) Cl.** **09-01**
(52) **U.S. Cl.**
USPC **D9/729**
(58) **Field of Classification Search**
USPC D9/516, 542, 715, 719, 721, 727, 729;
D28/4, 9, 73, 76, 82; D23/366
CPC A45D 34/04; A45D 2200/1018; A45D
40/06; A45D 34/045; A45D 40/00; A45D
40/18; A45D 40/02; A45D 40/205; A45D
2200/051; A45D 2040/208; A45D 34/06;
A45D 2200/053; A45D 33/26; A45D
40/12; A45D 2040/204; A45D 40/0075;
Y10S 206/823; B65D 47/42; B65D
83/0011; B65D 2543/00296; B65D
83/0805; B65D 1/0223; B65D 75/366;
B65D 35/36; B65D 65/38; B65D 83/00;
B65D 51/18

See application file for complete search history.

(56) **References Cited**
U.S. PATENT DOCUMENTS

2,595,635	A	5/1952	Braselton	
4,363,560	A	12/1982	Gentile	
4,545,696	A	10/1985	Carluccio	
D292,484	S *	10/1987	Keeler	D9/573
D292,775	S *	11/1987	Keeler	D9/729
D333,977	S *	3/1993	Gatrost	D9/529
D379,931	S *	6/1997	Crawford	D9/540

D422,220	S *	4/2000	Feen	D9/542
D455,647	S *	4/2002	Cummings	D9/729
6,817,799	B1	11/2004	Petit	
D531,053	S *	10/2006	McConville	D9/729
D538,678	S *	3/2007	Cummings	D9/729
D539,155	S *	3/2007	Steinmann	D9/530
D540,185	S *	4/2007	Cummings	D9/728
D542,673	S *	5/2007	Shurtleff	D9/729
D591,170	S *	4/2009	Lux	D9/726
D623,960	S *	9/2010	Kathofer	D9/729
D650,702	S *	12/2011	Schriner	D9/557
8,096,724	B2	1/2012	Bolander et al.	
D673,455	S *	1/2013	Lachery	D9/445
8,388,249	B2	3/2013	Groh et al.	
D724,444	S *	3/2015	Chavarria	D9/729
2007/0177929	A1 *	8/2007	Yuhas	A45D 34/04 401/262
2013/0287468	A1	10/2013	Roppa	

* cited by examiner

Primary Examiner — Derrick Holland
Assistant Examiner — Lauren Calve
(74) *Attorney, Agent, or Firm* — Welsh Flaxman & Gitler LLC

(57) **CLAIM**

The ornamental design for a cosmetic container, as shown and described.

DESCRIPTION

FIG. 1 is a perspective view of a cosmetic container.
FIG. 2 is a front elevation view thereof;
FIG. 3 is a rear elevation view thereof;
FIG. 4 is a left side elevation view thereof;
FIG. 5 is a right side elevation view thereof;
FIG. 6 is a top plan view thereof; and,
FIG. 7 is a bottom plan view thereof.
The broken lines shown represent unclaimed subject matter and forms no part of the claimed design.

1 Claim, 6 Drawing Sheets

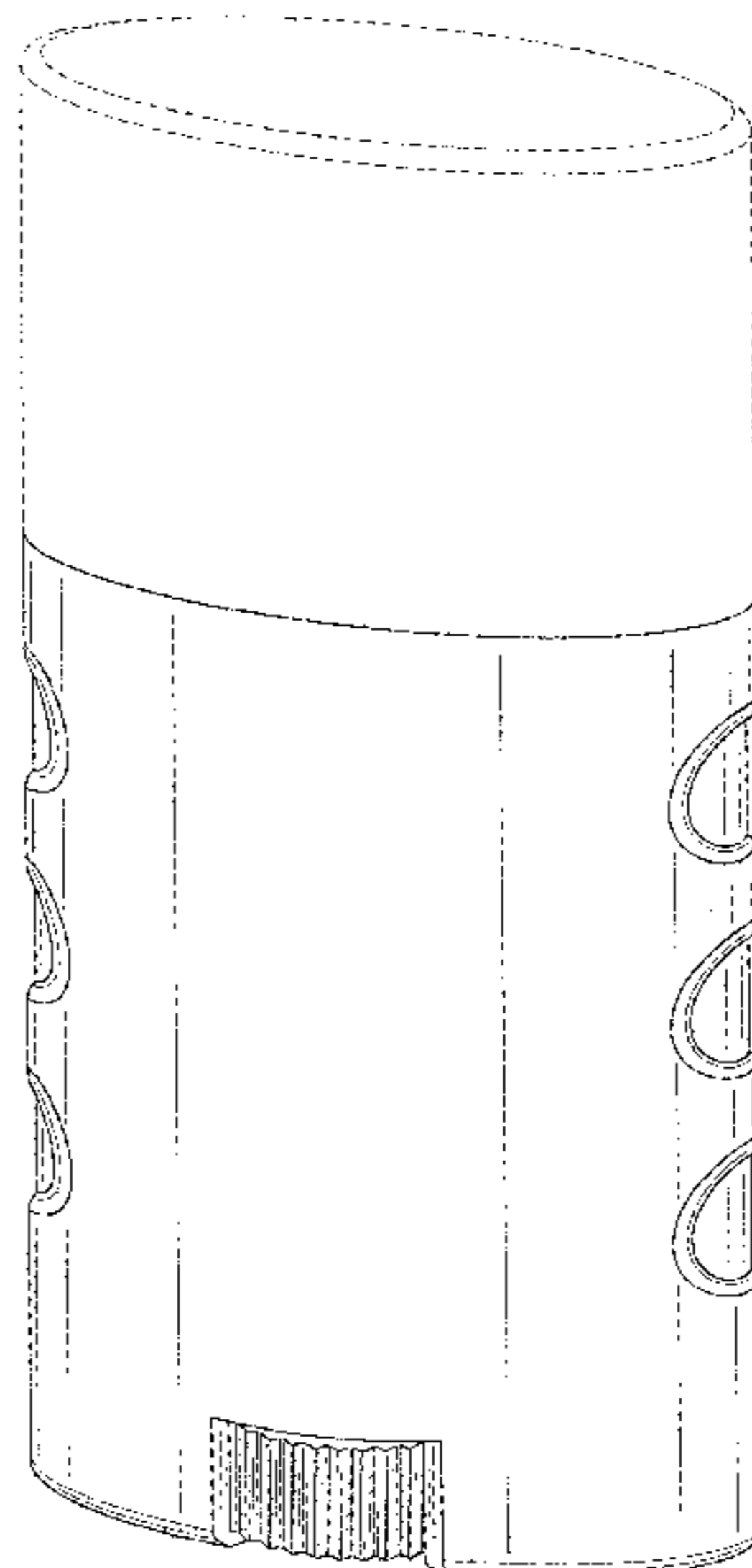


FIG. 1

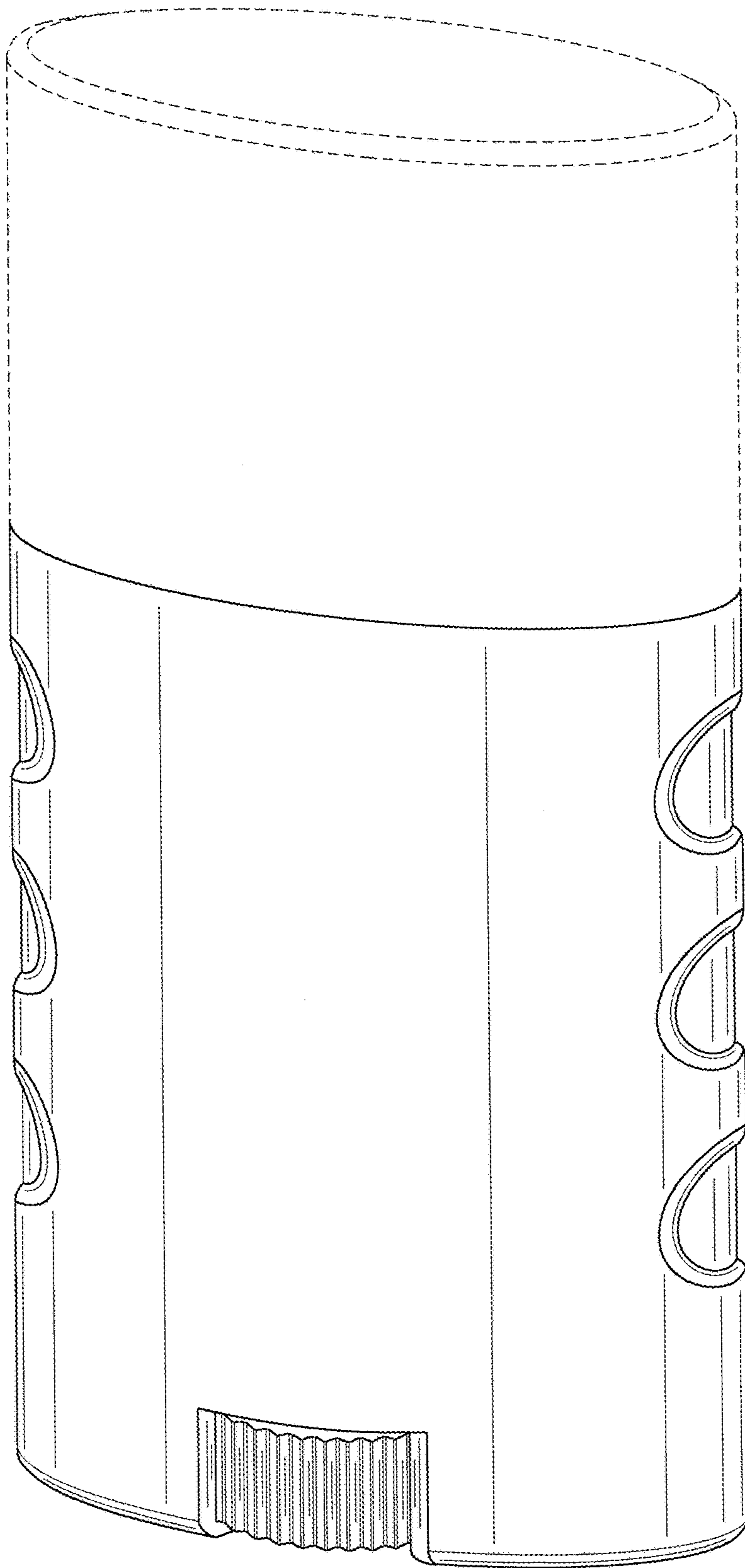


FIG. 2

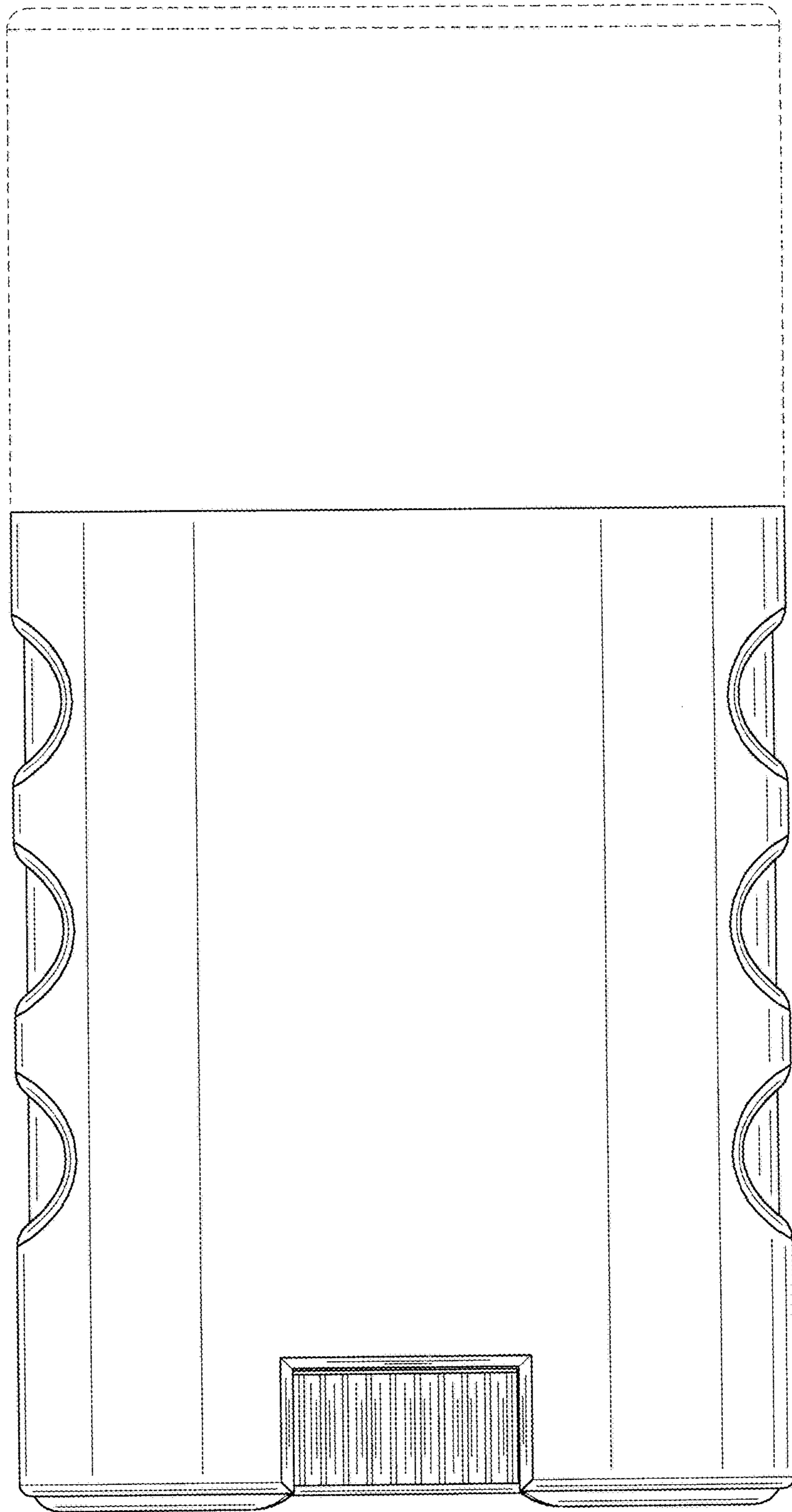


FIG. 3

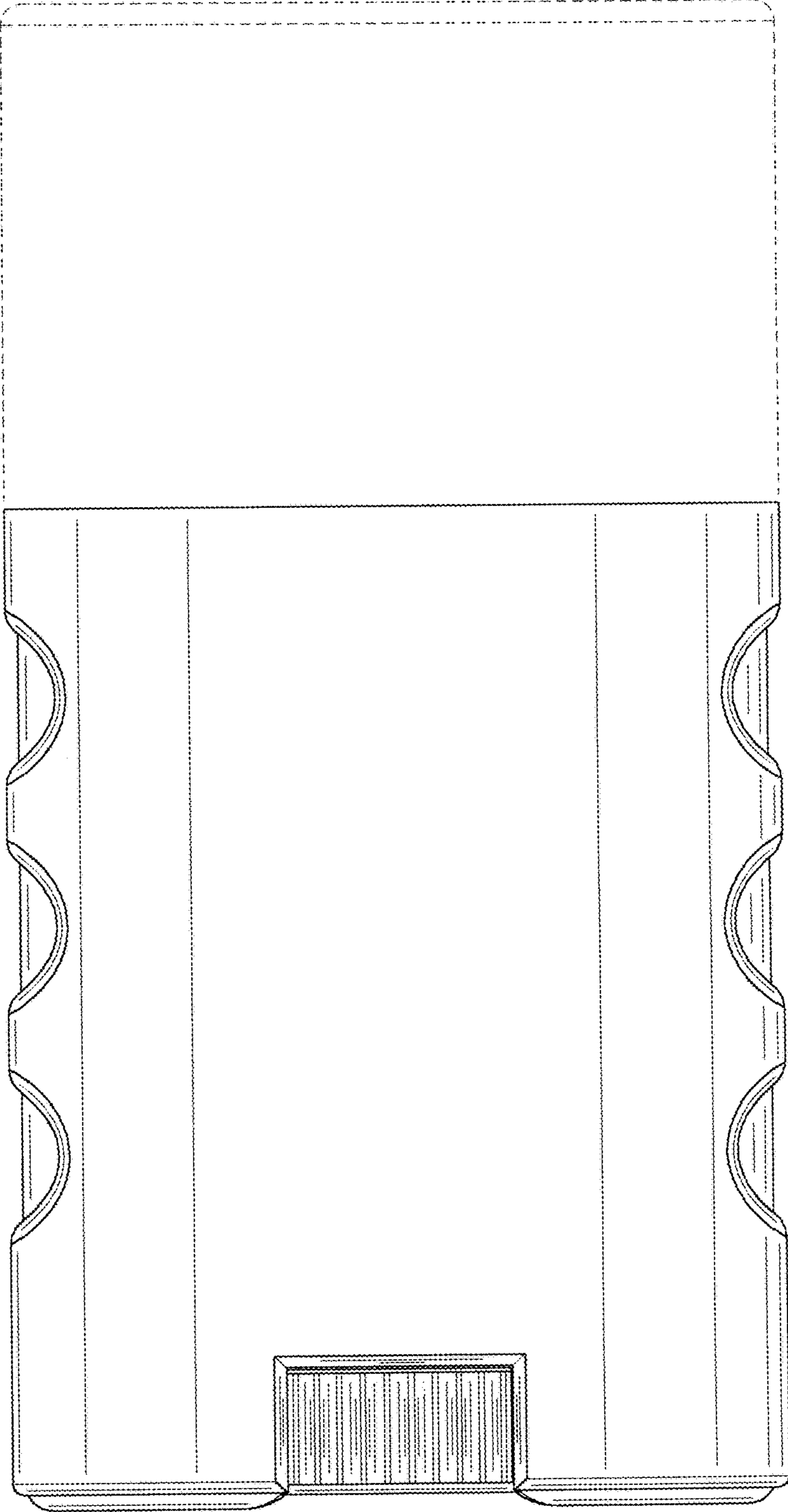


FIG. 4

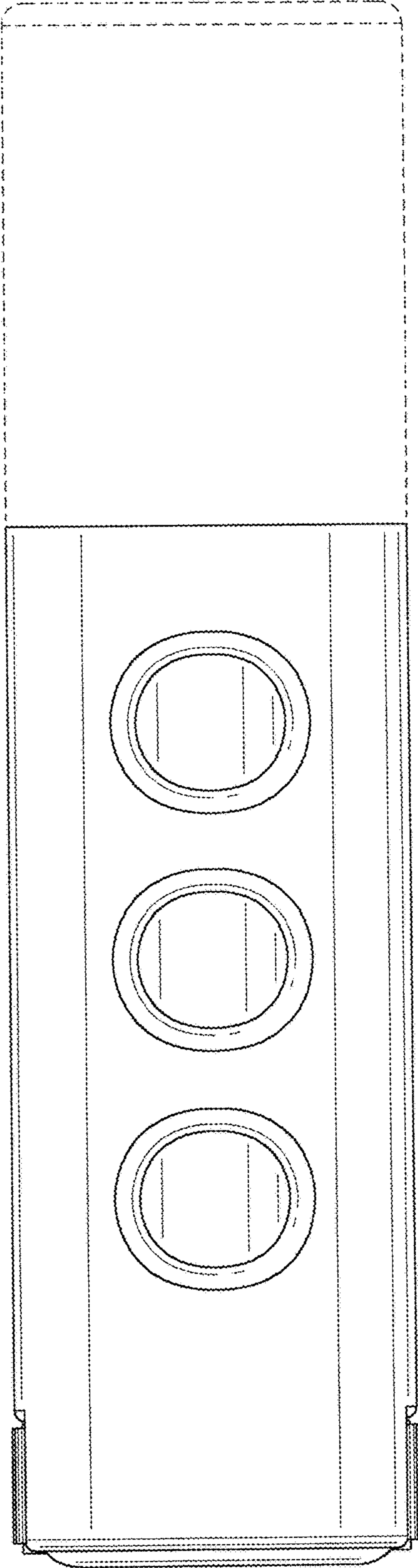
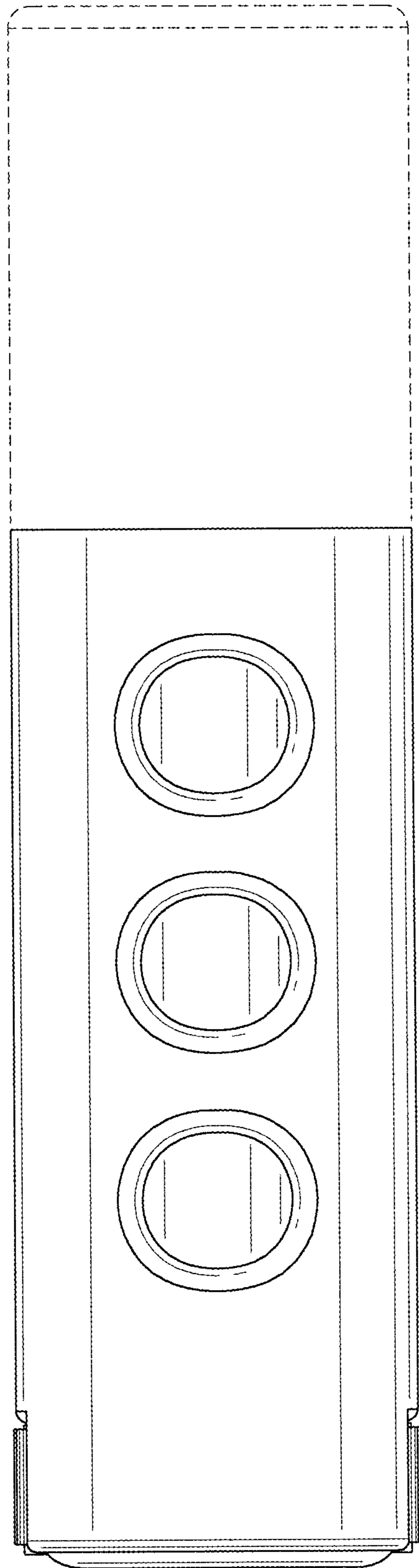


FIG. 5



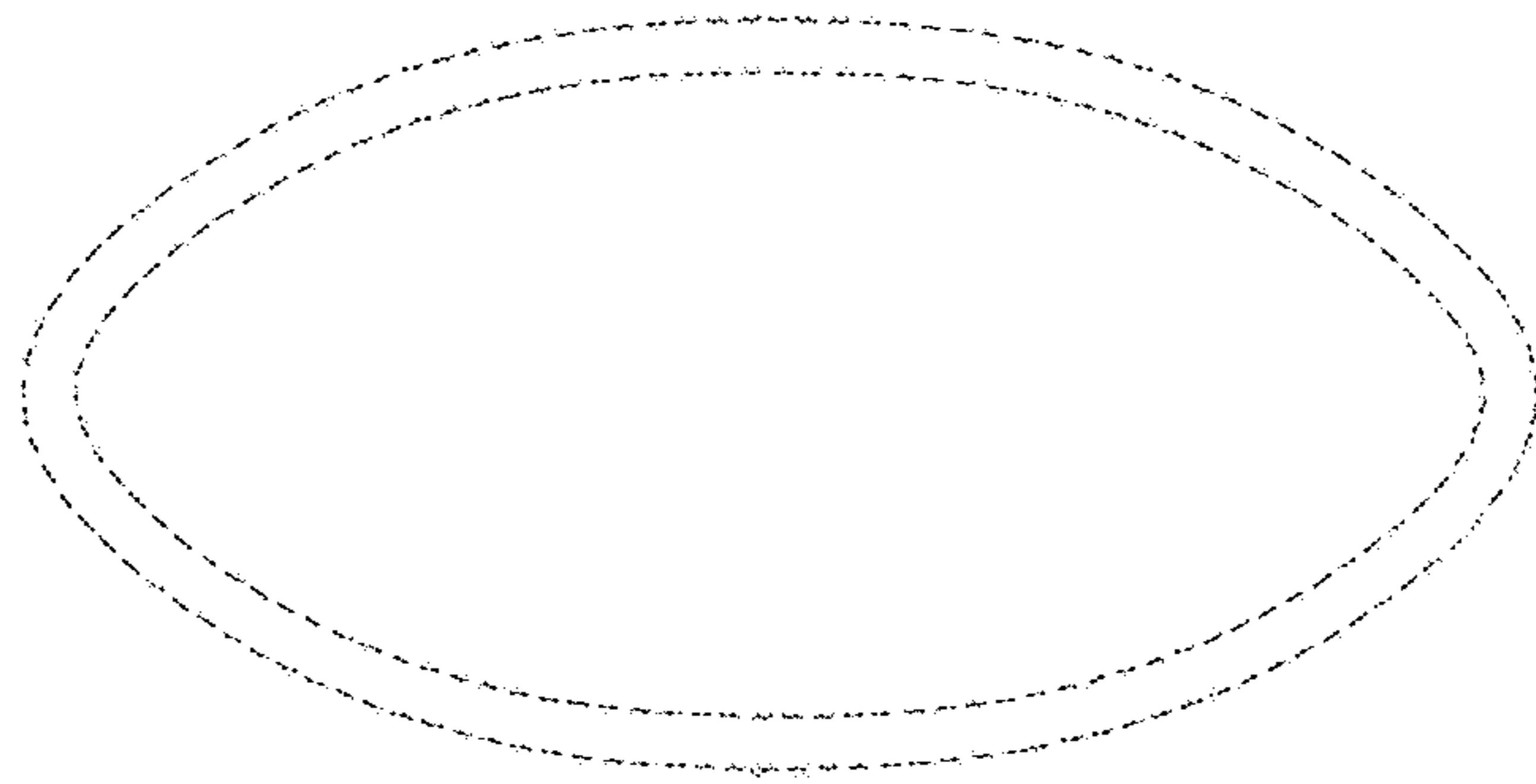


FIG. 6

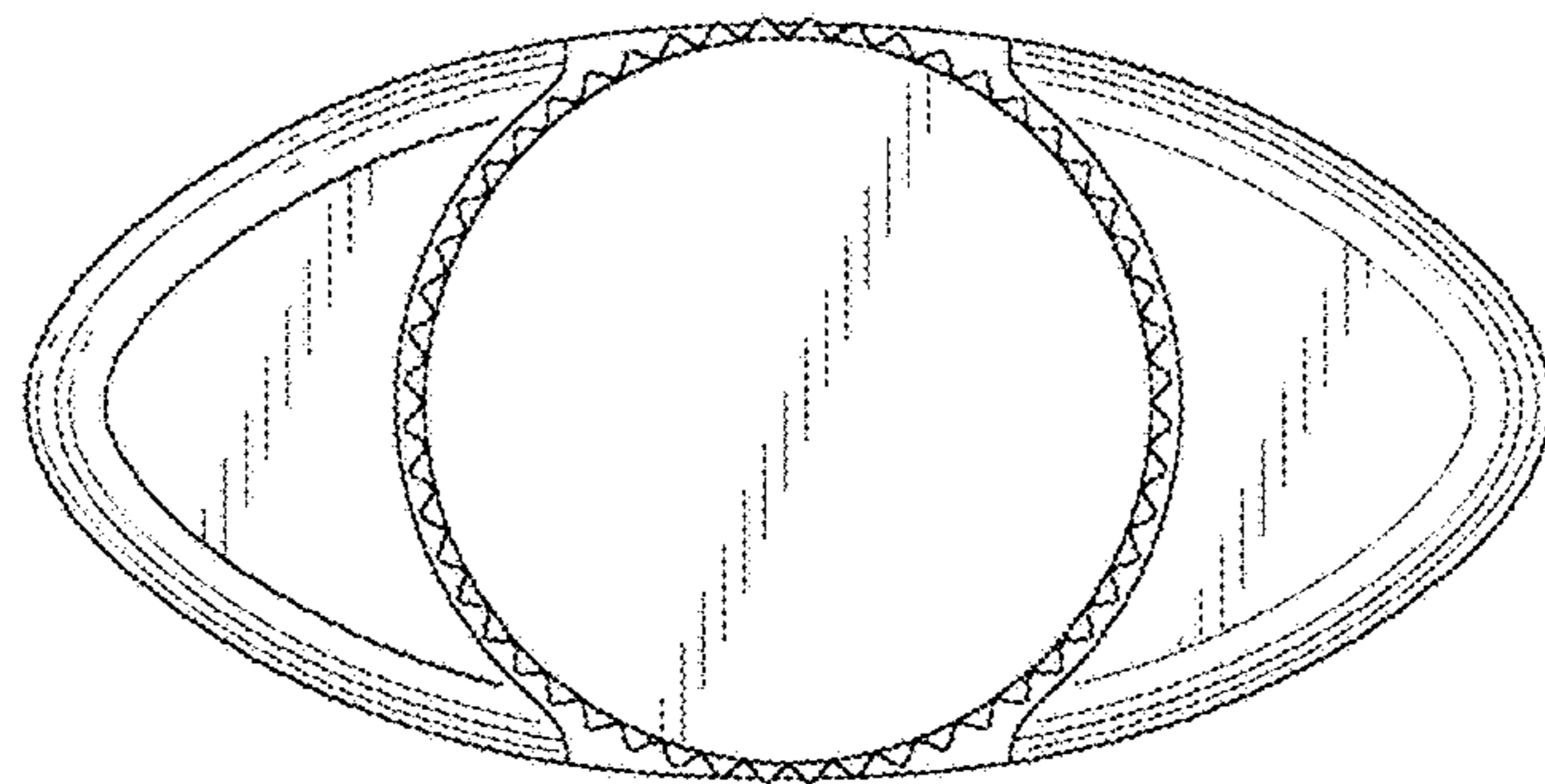


FIG. 7