



US00D786699S

(12) **United States Design Patent**
Shipulin

(10) **Patent No.:** **US D786,699 S**

(45) **Date of Patent:** **** May 16, 2017**

(54) **PACKAGING FOR CONFECTIONERY**

(56) **References Cited**

(71) Applicant: **PharmProgress LLC**, Gatchina (RU)

U.S. PATENT DOCUMENTS

(72) Inventor: **Mikhail Shipulin**, Gatchina (RU)

| | | | |
|--------------|---------|---------------|--------|
| D437,219 S * | 2/2001 | Gallart | D9/418 |
| D517,421 S * | 3/2006 | Terrasi | D1/102 |
| D554,508 S * | 11/2007 | YunFu | D9/520 |
| D727,172 S * | 4/2015 | Rosella | D9/504 |

(73) Assignee: **PharmProgress LLC**, Gatchina (RU)

* cited by examiner

(**) Term: **15 Years**

Primary Examiner — Abraham Bahta

(21) Appl. No.: **29/554,802**

(74) *Attorney, Agent, or Firm* — McCormick, Paulding & Huber LLP

(22) Filed: **Feb. 16, 2016**

(51) **LOC (10) Cl.** **09-05**

(57) **CLAIM**

(52) **U.S. Cl.**

The ornamental design for a packaging for confectionery, substantially as shown.

USPC **D9/711**

DESCRIPTION

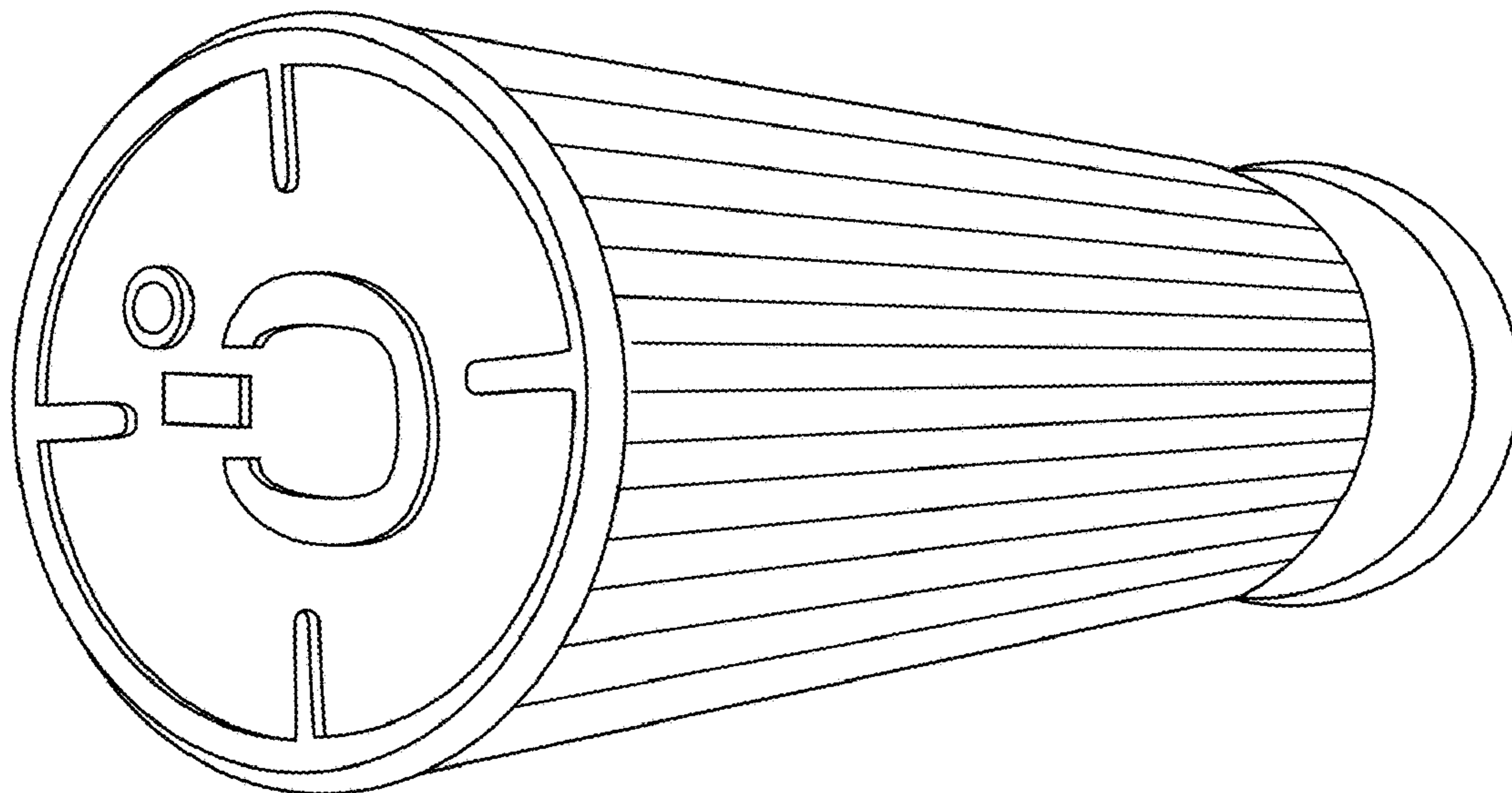
(58) **Field of Classification Search**

USPC D9/428, 435, 444–445, 454, 500, D9/502–505, 516, 558, 567, 682, D9/686–692, 737–738, 741, 744; D28/5, D28/7, 73, 75–77, 85, 88; D7/591, 597, D7/601, 602; D24/224; 215/379–382; 220/660–661, 662, 664, 669, 675
 CPC B65D 55/16; B65D 2543/00296; B65D 2543/00351; B65D 2543/00435; B65D 35/28; B65D 35/242; B65D 1/00; B65D 1/22; B65D 1/225; B65D 1/02; A23G 9/281; A23G 9/28; A23G 9/283

FIG. 1 is a front, right-hand side perspective view of a packaging for confectionery showing my new design;
 FIG. 2 is a front view thereof;
 FIG. 3 is a rear, left-hand side perspective view thereof;
 FIG. 4 is a right-hand side view thereof;
 FIG. 5 is a top perspective view thereof;
 FIG. 6 is a right-hand side view thereof with cover removed;
 and,
 FIG. 7 is a front perspective view thereof with cover removed.

See application file for complete search history.

1 Claim, 4 Drawing Sheets



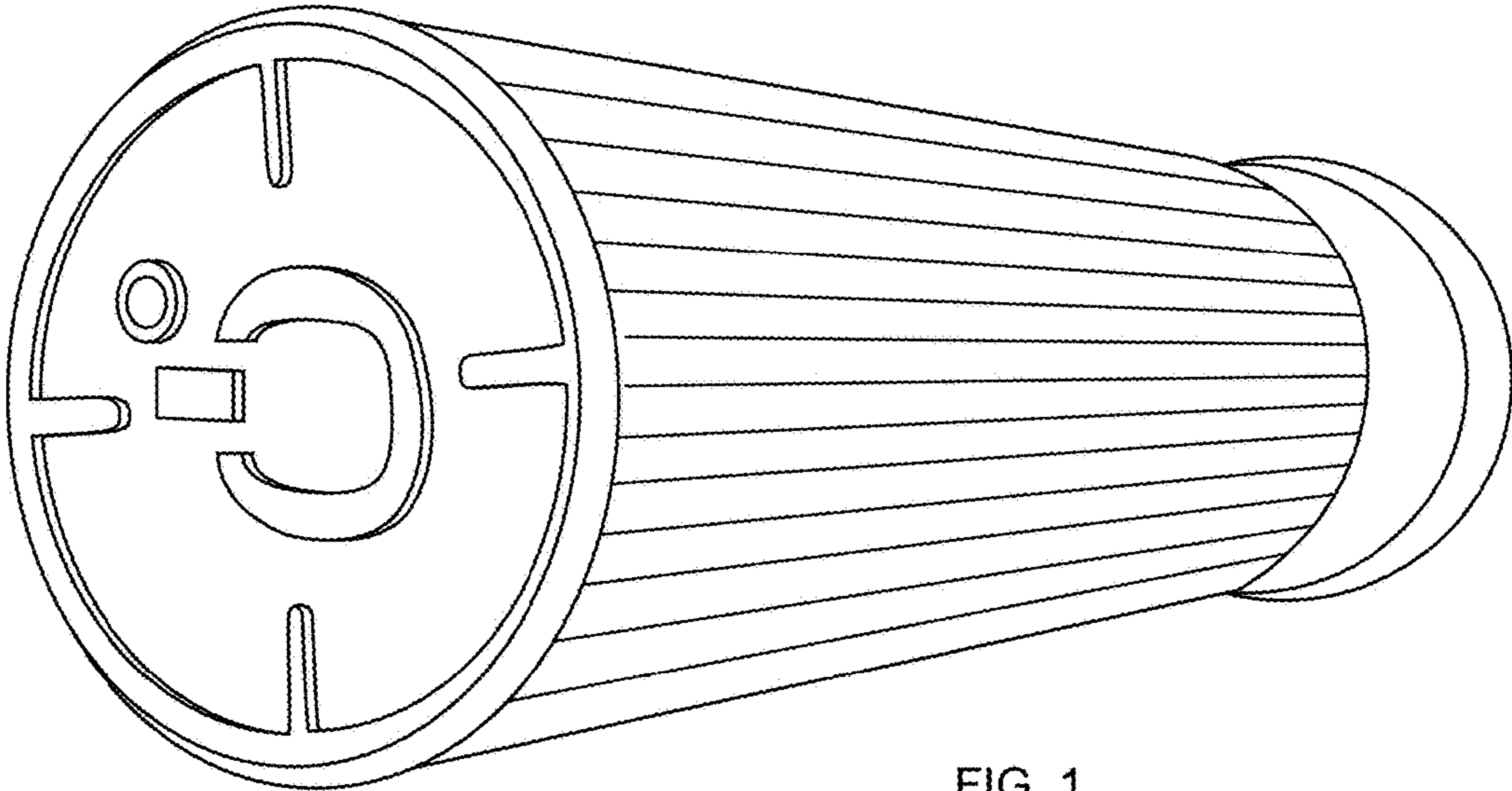


FIG. 1

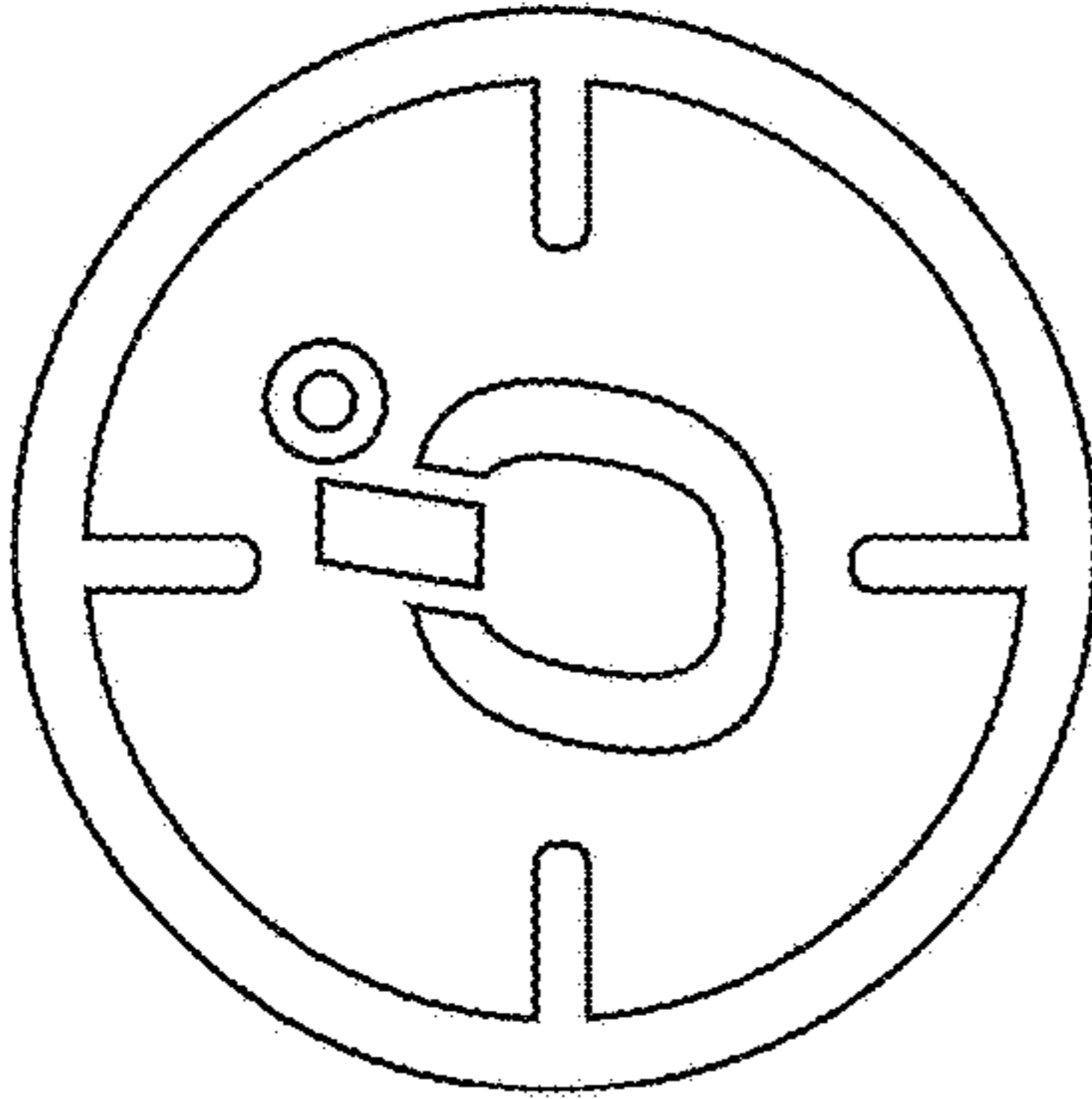


FIG. 2

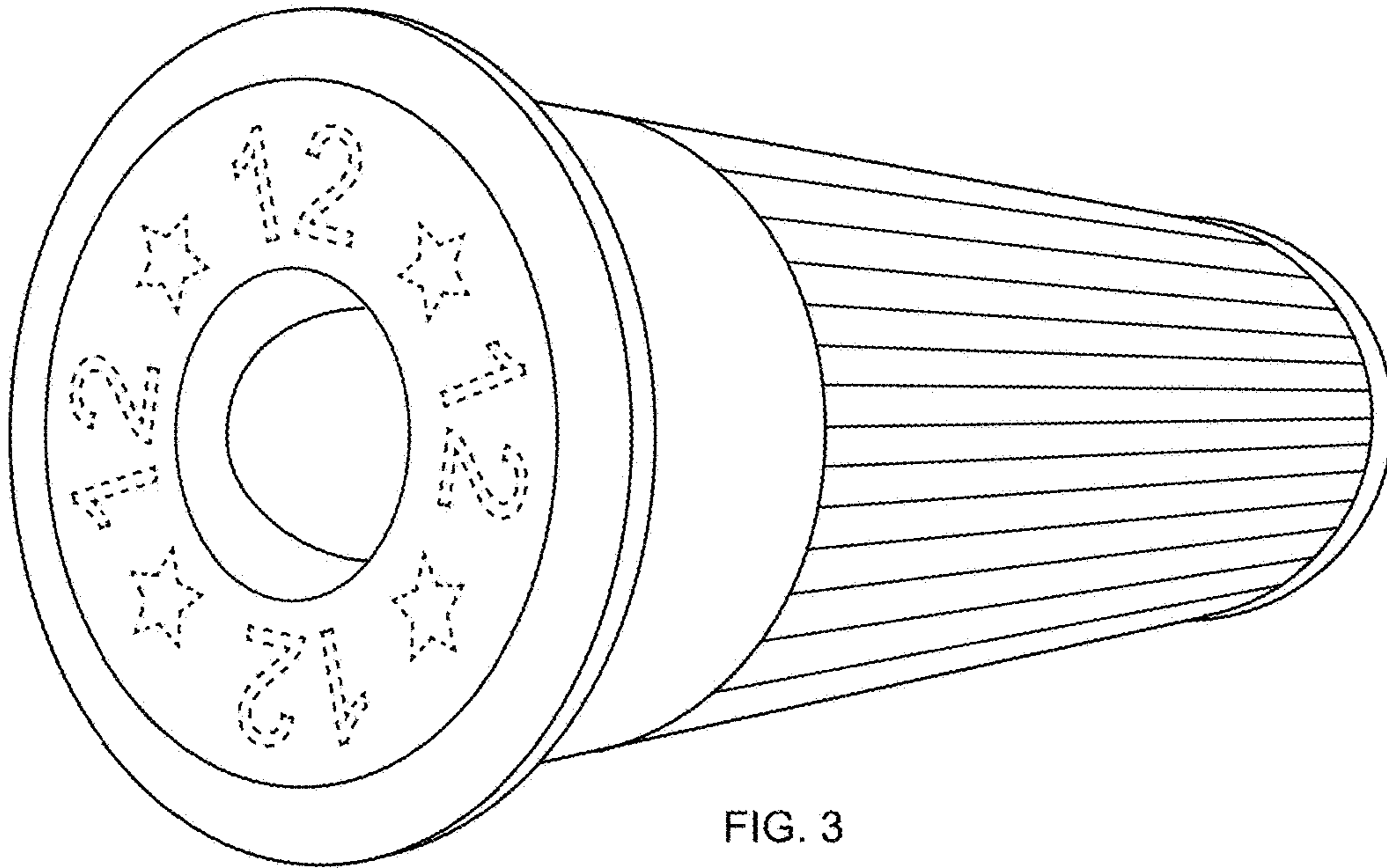


FIG. 3

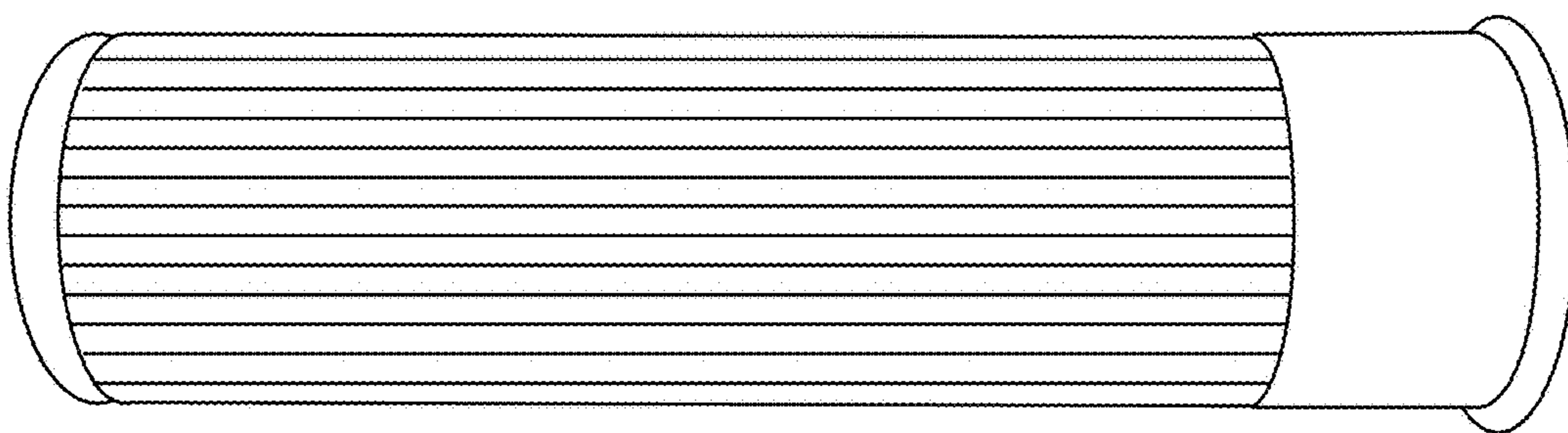


FIG. 4

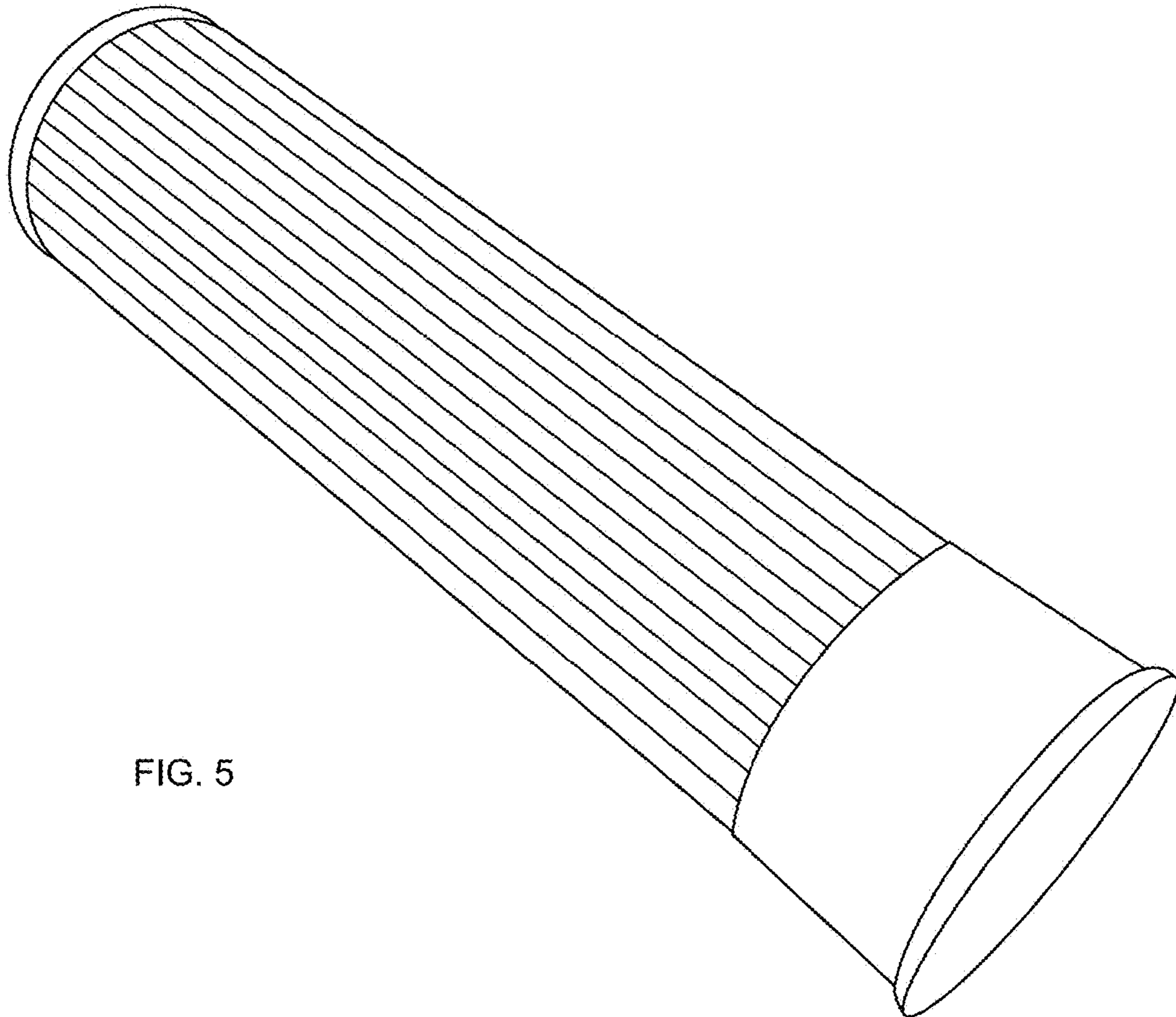


FIG. 5

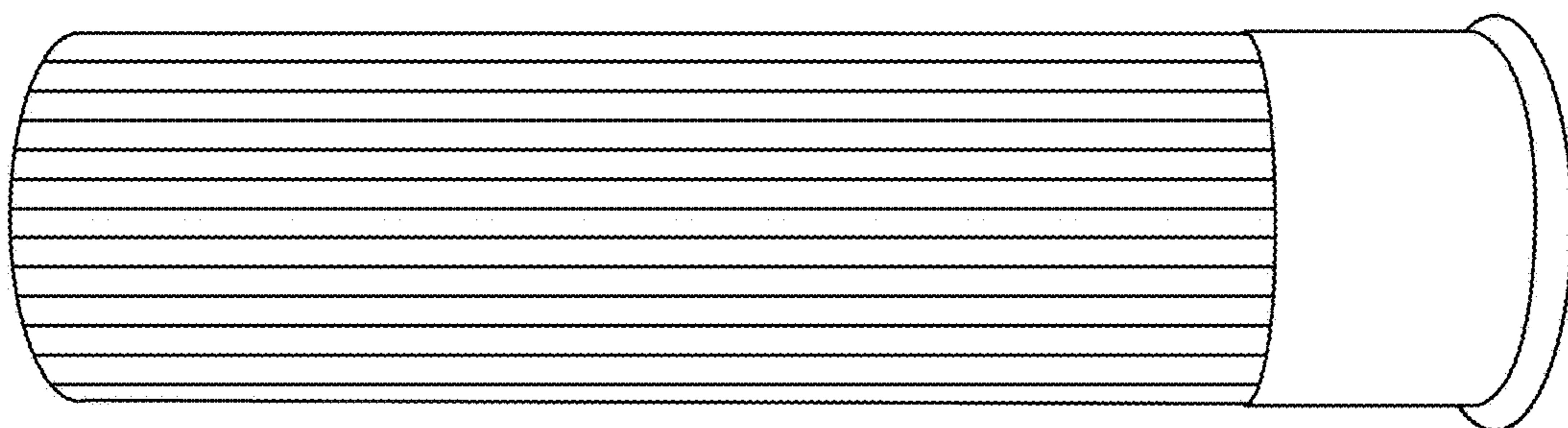


FIG. 6

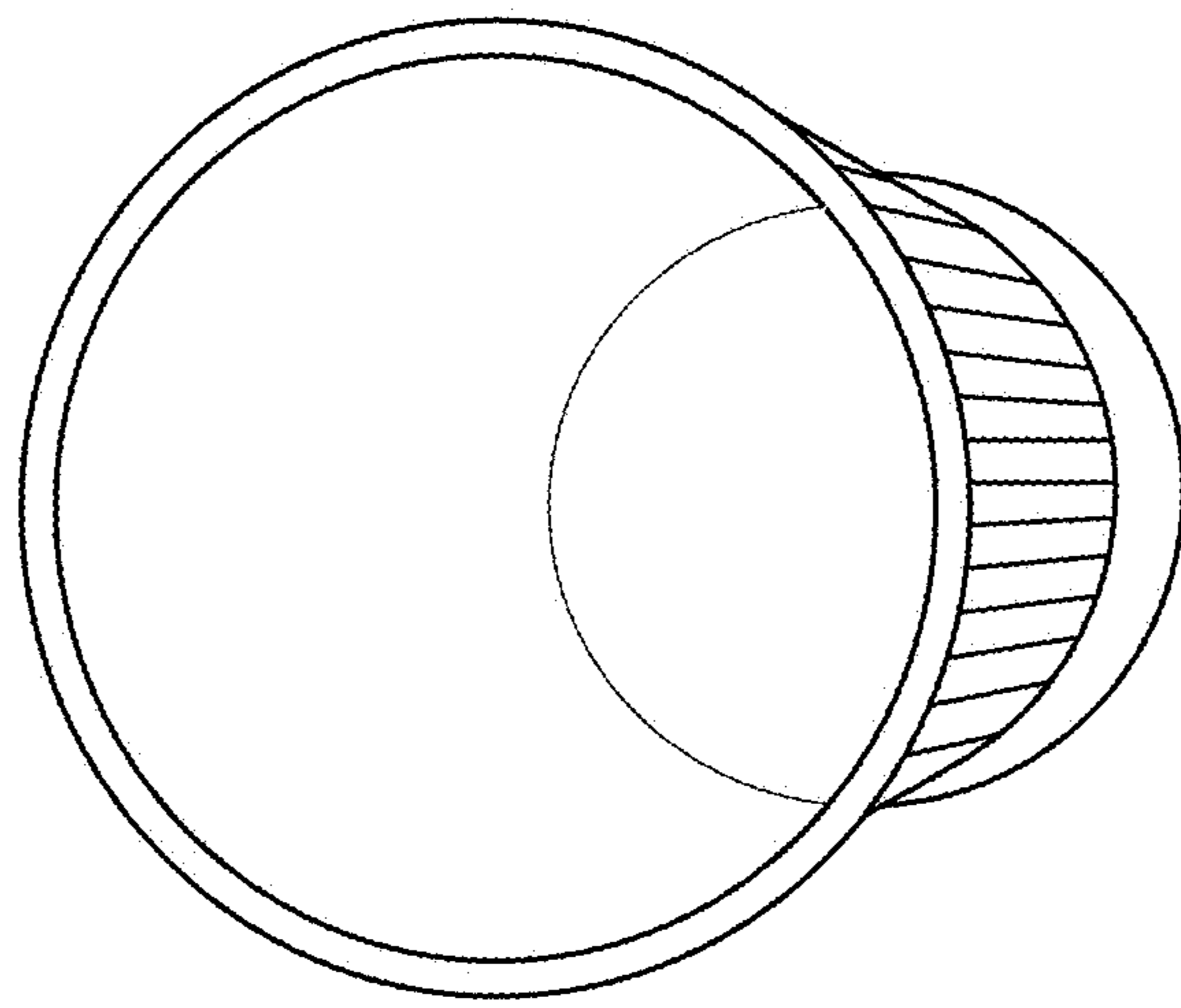


FIG. 7

UNITED STATES PATENT AND TRADEMARK OFFICE
CERTIFICATE OF CORRECTION

PATENT NO. : D786,699 S
APPLICATION NO. : 29/554802
DATED : May 16, 2017
INVENTOR(S) : Mikhail Shipulin

Page 1 of 1

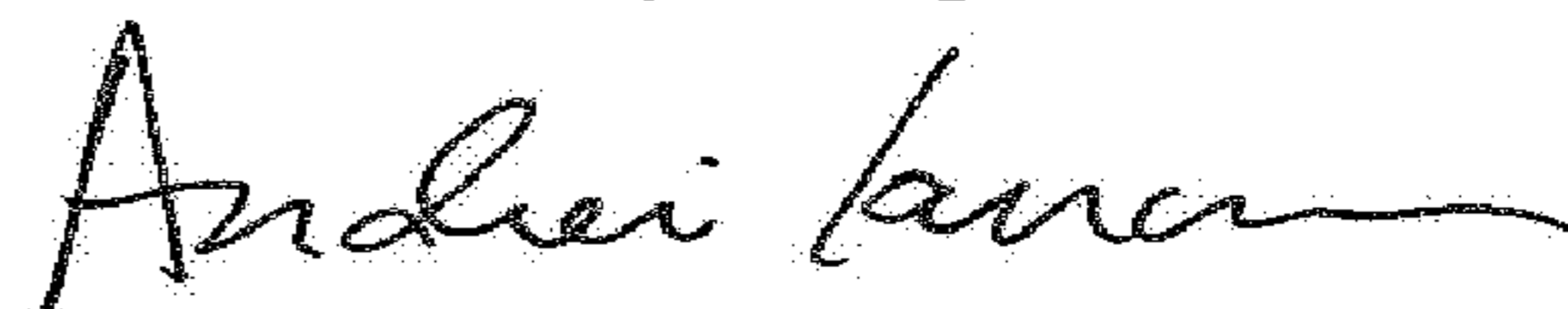
It is certified that error appears in the above-identified patent and that said Letters Patent is hereby corrected as shown below:

On the Title Page

Please insert item (30) Foreign Application Priority Data as follows:

--Sep. 28, 2015 (EM) 002801787--

Signed and Sealed this
Third Day of April, 2018



Andrei Iancu
Director of the United States Patent and Trademark Office