



US00D786692S

(12) **United States Design Patent** (10) **Patent No.:** **US D786,692 S**
Kim (45) **Date of Patent:** **** May 16, 2017**

(54) **COSMETIC CONTAINER**
(71) Applicant: **YONWOO CO., LTD.**, Incheon (KR)
(72) Inventor: **You-seob Kim**, Incheon (KR)
(73) Assignee: **YONWOO CO., LTD.**, Incheon (KR)
(**) Term: **14 Years**
(21) Appl. No.: **29/512,710**
(22) Filed: **Dec. 22, 2014**

5,178,300 A * 1/1993 Haviv B65D 83/0072
222/105
D413,257 S * 8/1999 Favre D9/690
D503,830 S * 4/2005 Tanii D28/76
D522,378 S * 6/2006 Honda D9/689
D593,372 S * 6/2009 Carreno D7/608
D630,949 S * 1/2011 Lim D9/690
D634,197 S * 3/2011 Guilmeau D9/448
D645,750 S * 9/2011 Lee D9/445
D657,691 S * 4/2012 Lim D9/690
D691,897 S * 10/2013 Jung D9/690
D721,284 S * 1/2015 Yeo D9/684
D757,562 S * 5/2016 Jung D9/690
2012/0085788 A1 * 4/2012 Lu A45D 34/04
222/390

(30) **Foreign Application Priority Data**
Oct. 13, 2014 (KR) 30-2014-0049011
(51) **LOC (10) Cl.** **09-01**
(52) **U.S. Cl.**
USPC **D9/690**
(58) **Field of Classification Search**
USPC D9/500-504, 682, 688, 689, 690, 691,
D9/692, 516, 529, 549, 551, 559,
D9/447-450; D28/76, 77, 82, 91, 91.1
CPC A45D 40/00; A45D 40/0068; A45D
40/0075; A45D 40/26; A45D 34/00;
A45D 34/02; A45D 34/04; A45D
2040/0012; A45D 2200/05; A45D
2200/051; A45D 2200/054; A45D
2200/055; A45D 2200/056; A45D
2200/057; B65D 83/0033; B65D 83/14;
B65D 83/20; B65D 83/205; B65D
83/206; B65D 83/38; B65D 83/384;
B05B 11/00; B05B 11/0027; B05B
11/0035; B05B 11/0037; B05B 11/0048;
B05B 11/0054; B05B 11/0072; B05B
11/047; B05B 11/3001-11/3043
See application file for complete search history.

FOREIGN PATENT DOCUMENTS

CA 2749380 A1 * 7/2010 A45D 34/00
DE 102007007402 A1 * 8/2007 B05B 11/3001

(Continued)

Primary Examiner — Catherine Tuttle

(74) *Attorney, Agent, or Firm* — Marshall, Gerstein & Borun LLP

(57) **CLAIM**

The ornamental design for a cosmetic container, as shown and described.

DESCRIPTION

FIG. 1 is a perspective view of a cosmetic container showing my new design;

FIG. 2 is a front elevational view thereof;

FIG. 3 is a rear elevational view thereof;

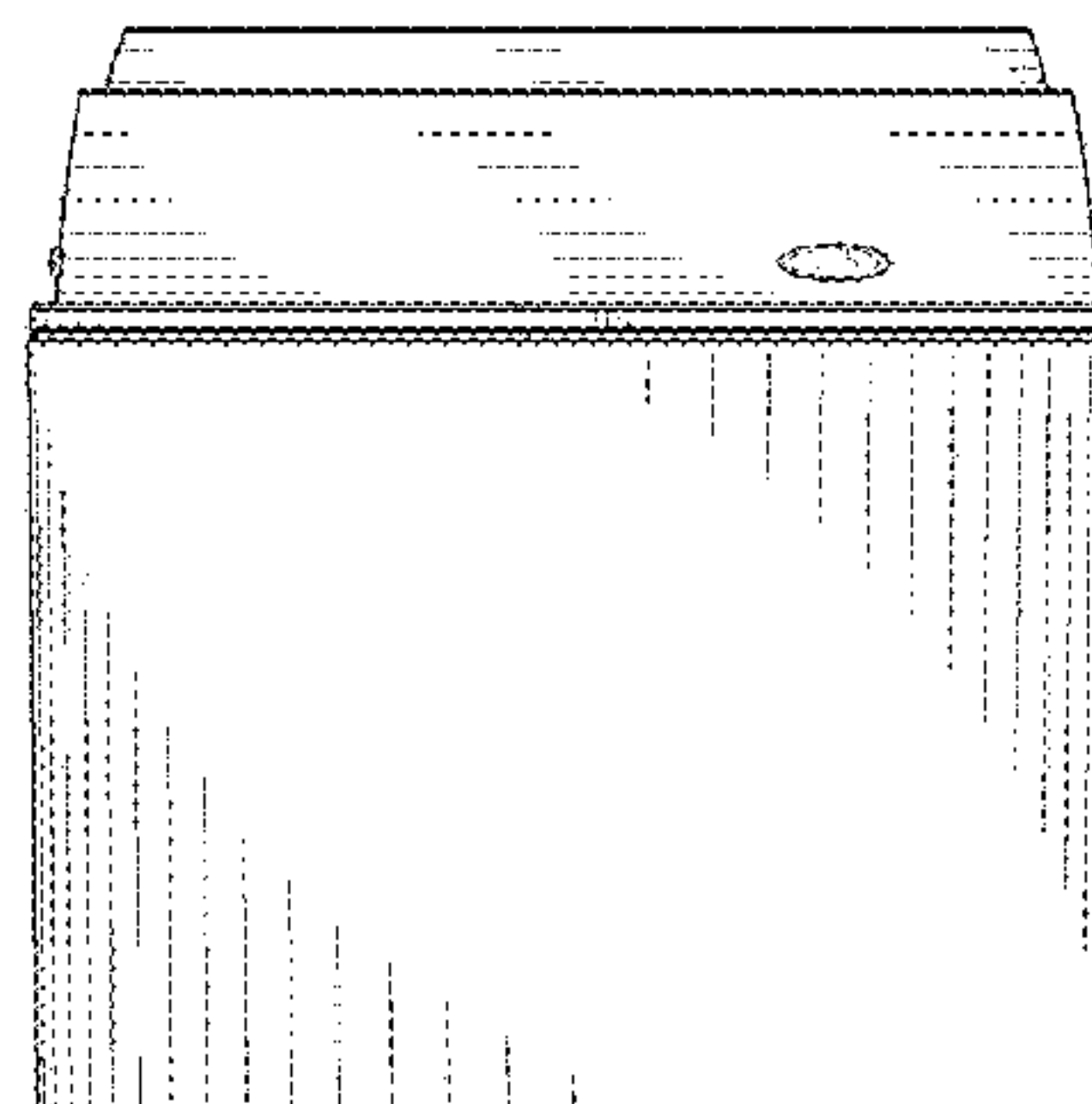
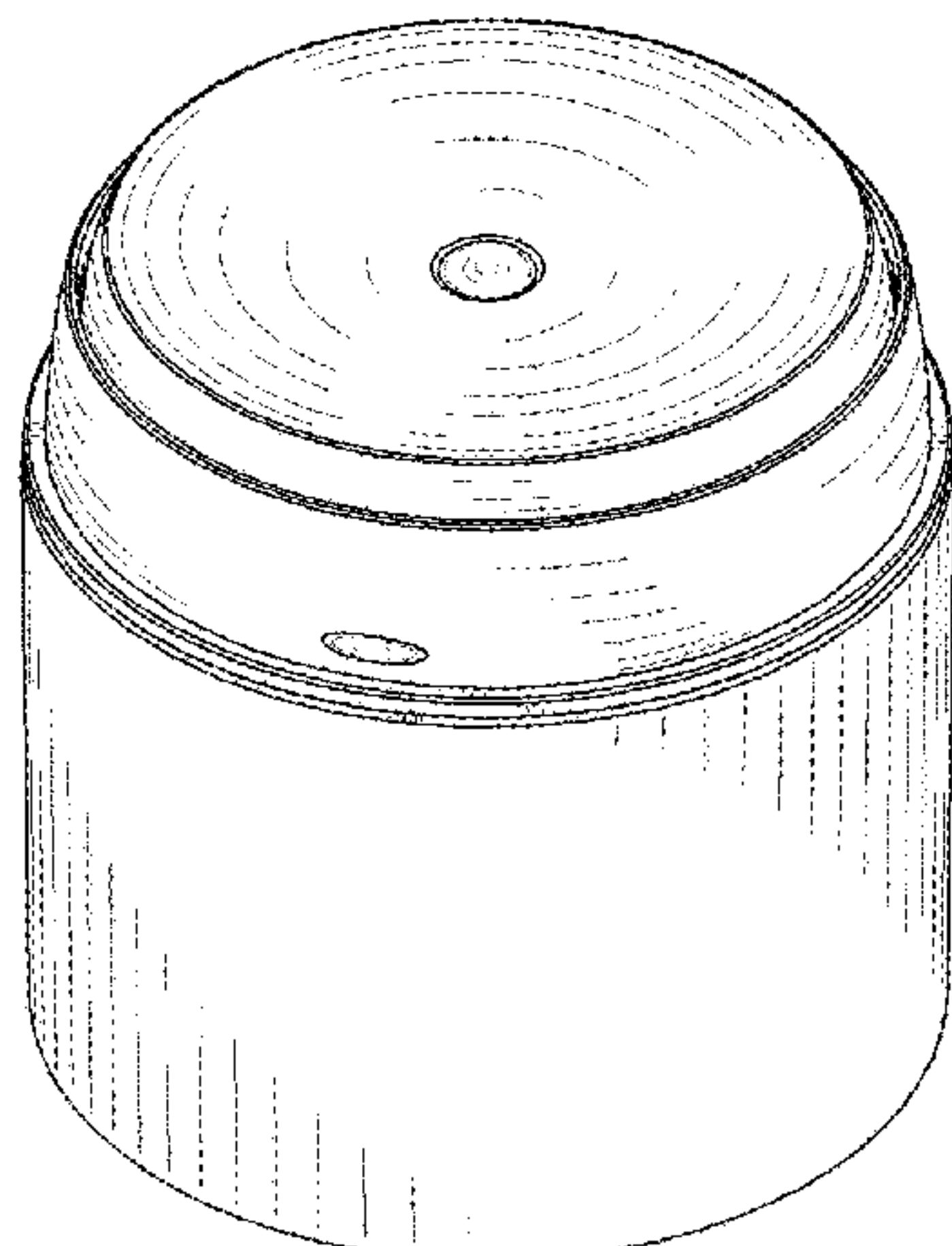
FIG. 4 is a left side elevational view thereof;

FIG. 5 is a right side elevational view thereof; and,

FIG. 6 is a top plan view thereof.

1 Claim, 6 Drawing Sheets

(56) **References Cited**
U.S. PATENT DOCUMENTS
4,913,322 A * 4/1990 Stoffer B05B 11/0048
222/207
D324,997 S * 3/1992 Jones D28/82



(56)

References Cited

FOREIGN PATENT DOCUMENTS

FR	1271799	A	*	9/1961	A45D 40/0075
FR	2971681	A1	*	8/2012	A45D 19/02
FR	2989290	A1	*	10/2013	B05B 11/0021
JP	WO 2006075484	A1	*	7/2006	A45D 40/0075

* cited by examiner

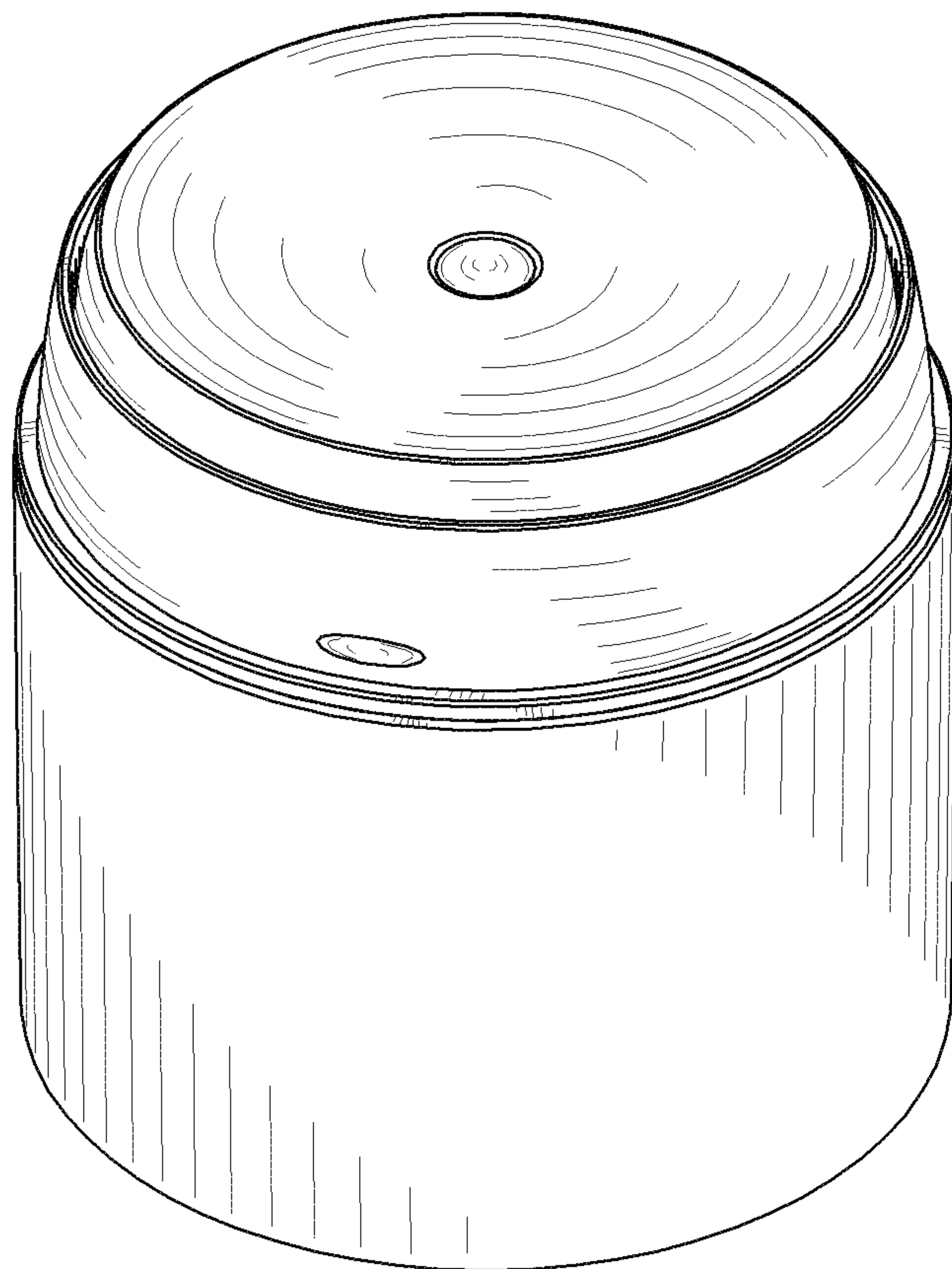


FIG. 1

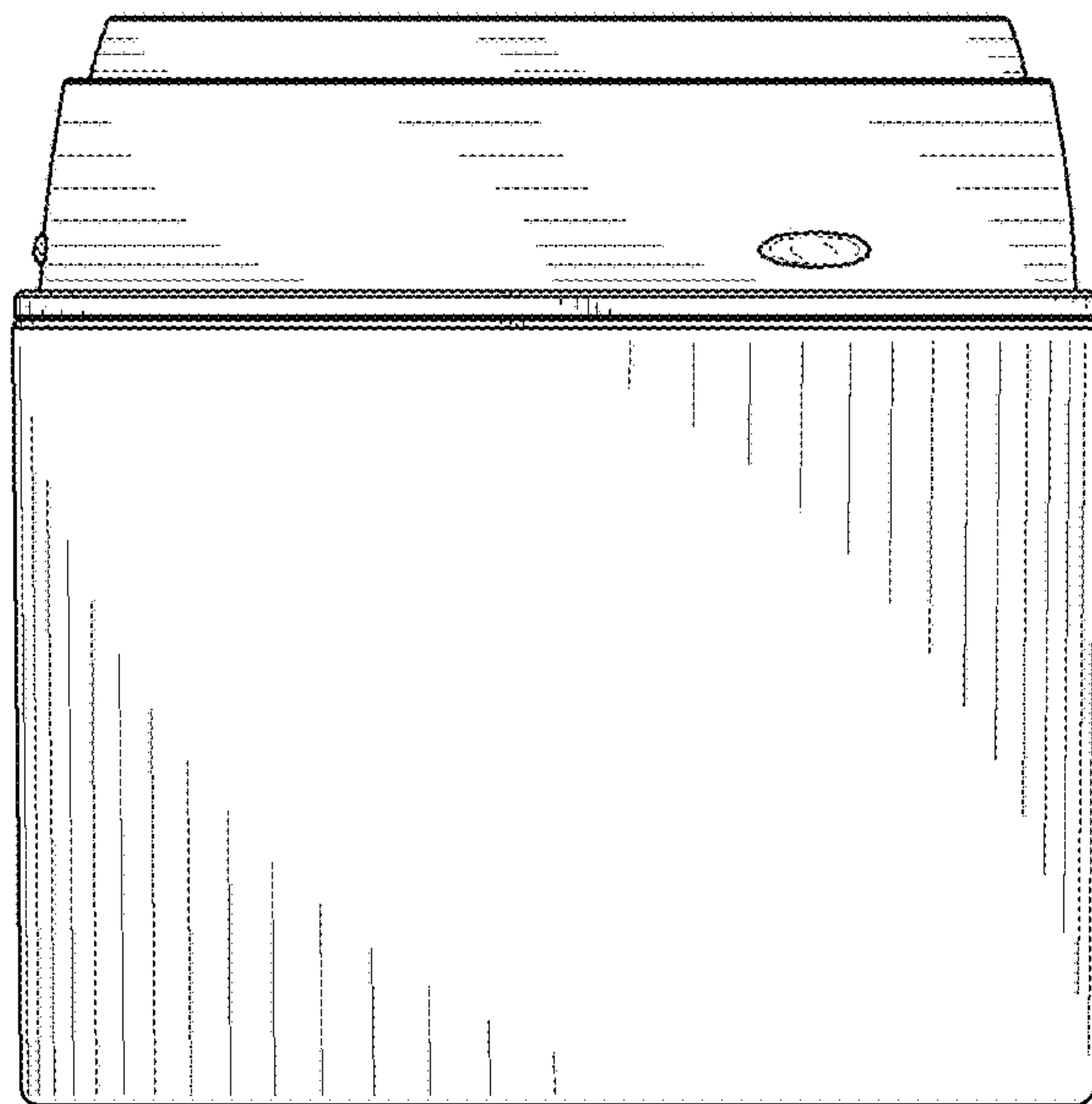


FIG. 2

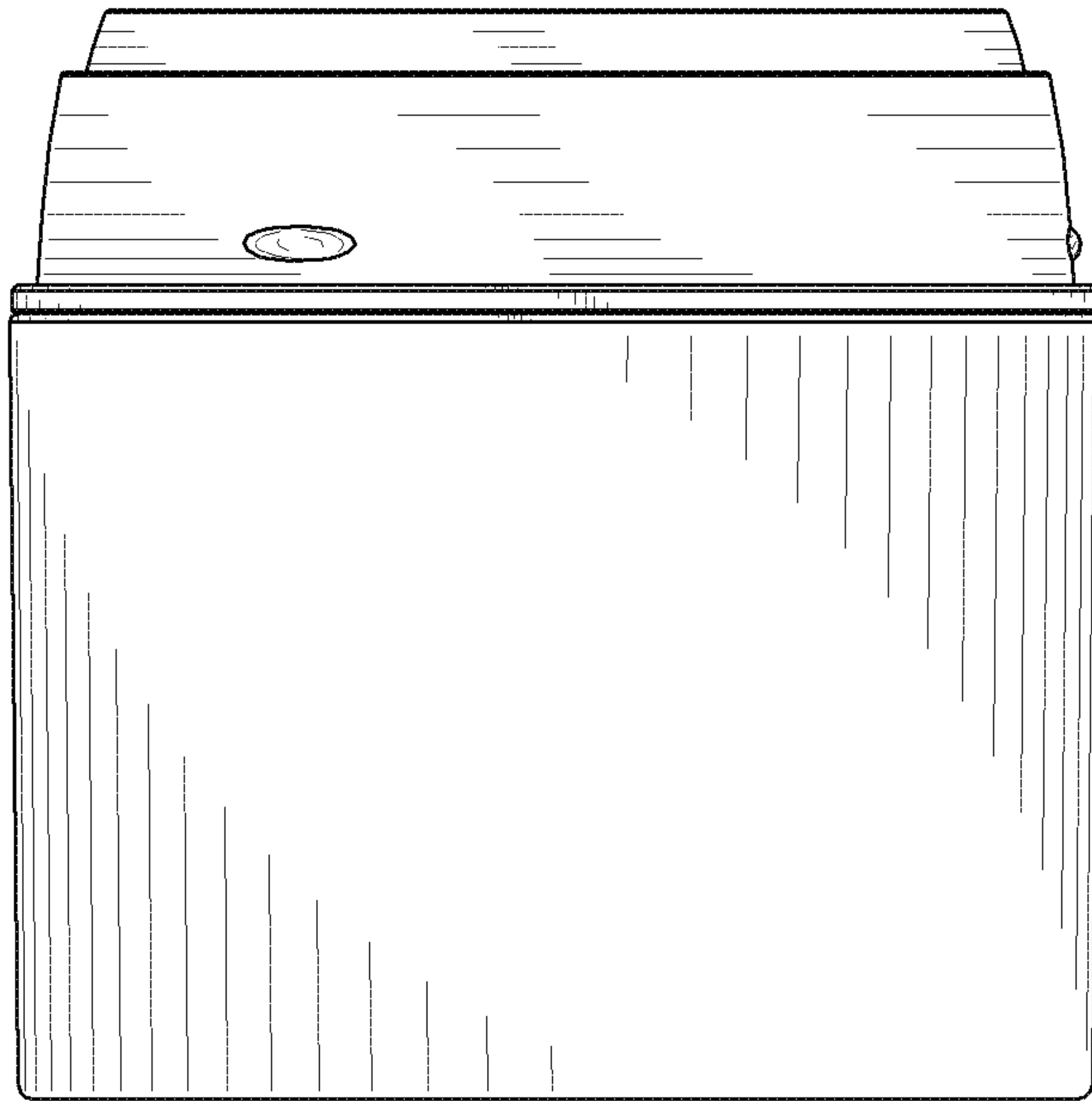


FIG. 3

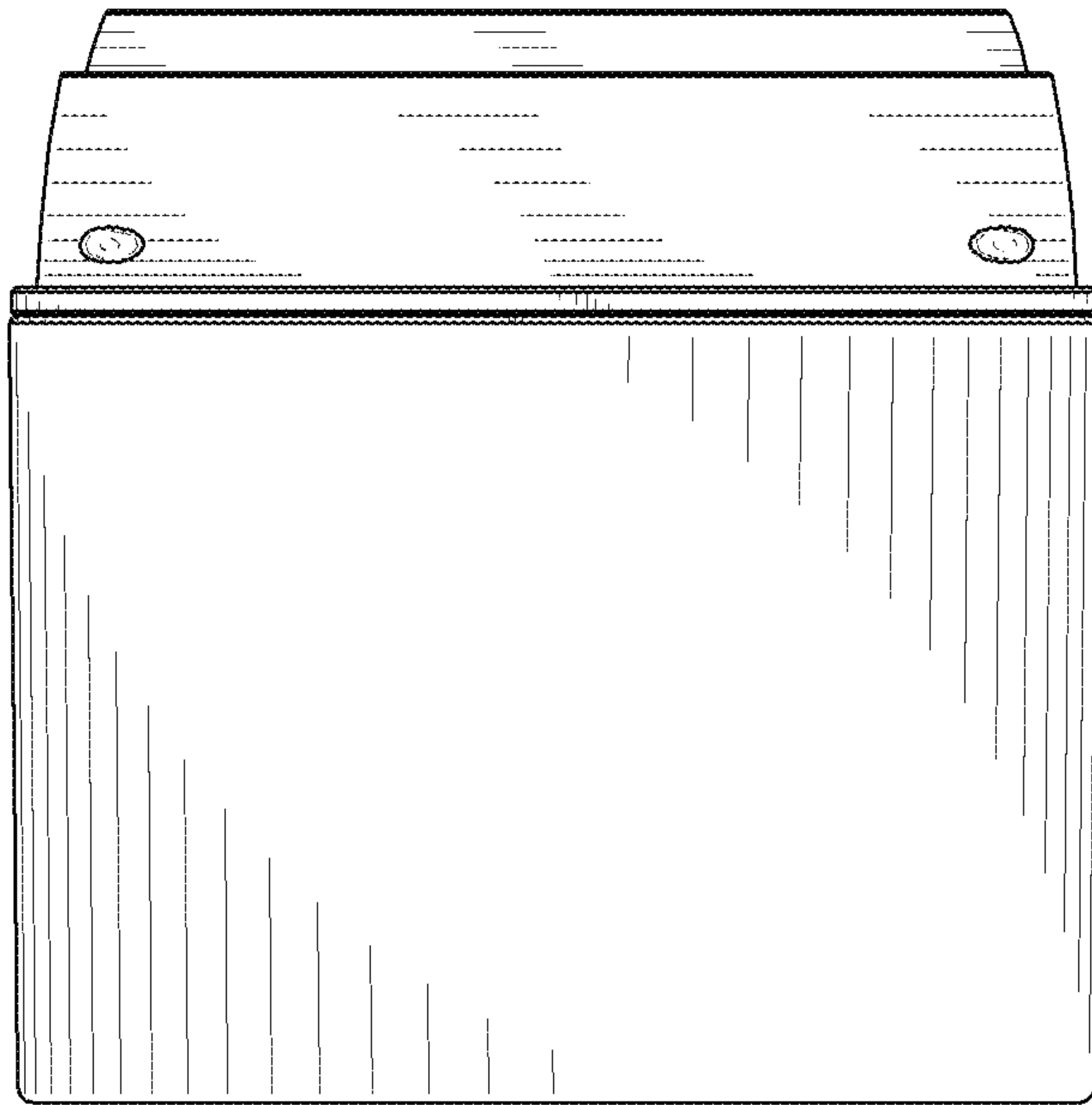


FIG. 4

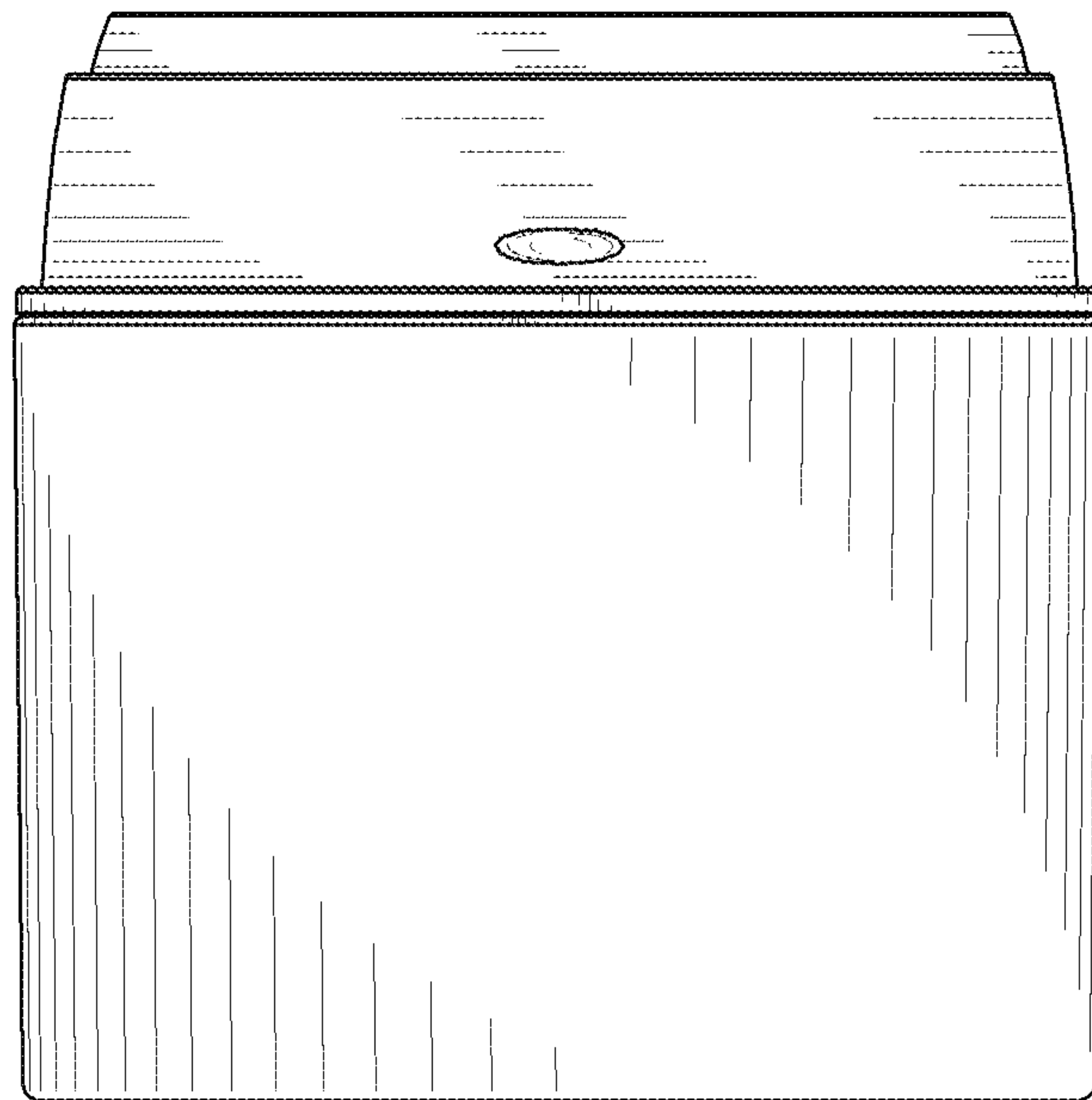


FIG. 5

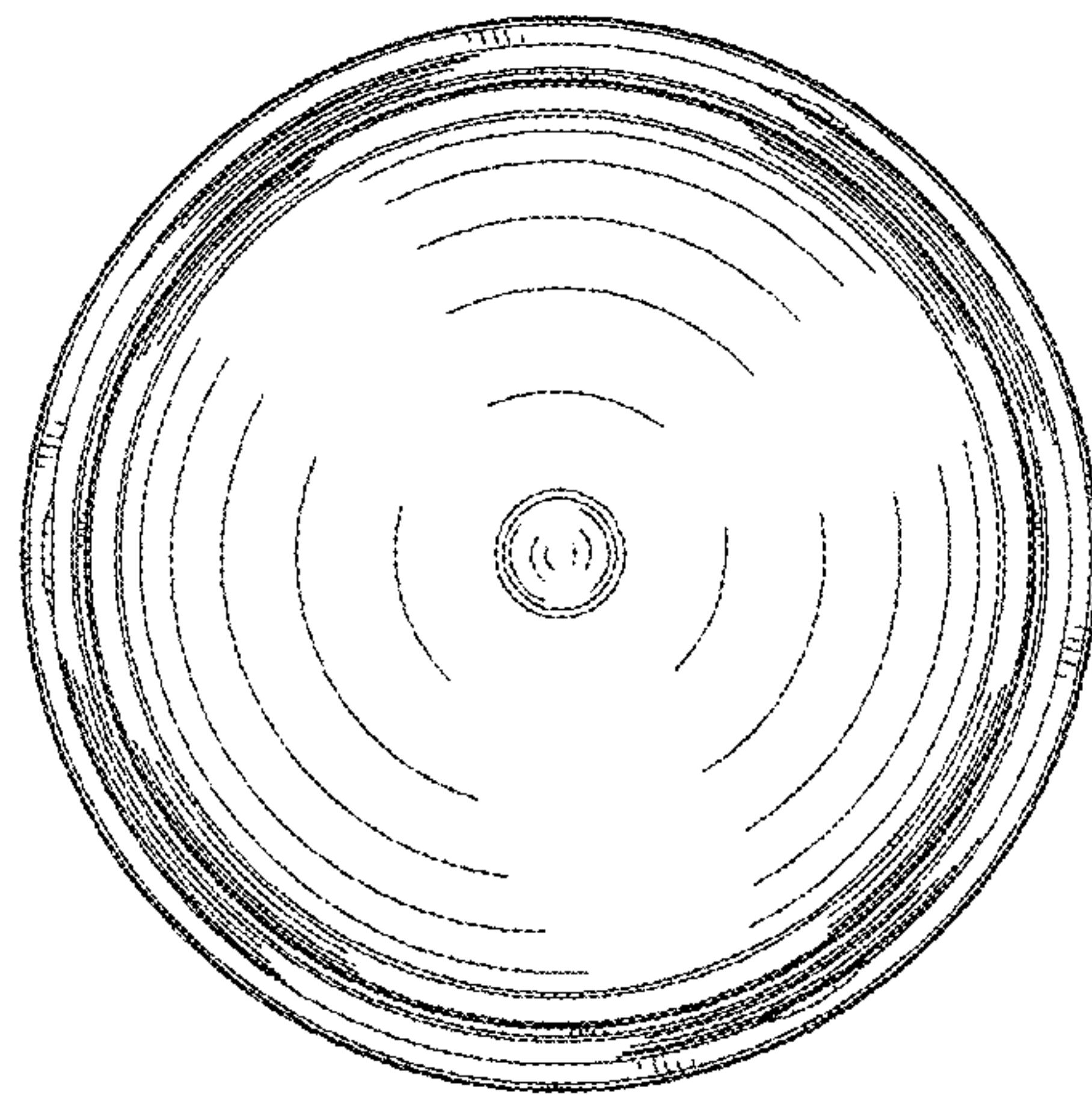


Fig. 6