



US00D786689S

(12) **United States Design Patent** (10) **Patent No.:** **US D786,689 S**
Dalton (45) **Date of Patent:** **** May 16, 2017**

(54) **PERFUME BOTTLE AND CAP**
 (71) Applicant: **The Procter & Gamble Company,**
 Cincinnati, OH (US)
 (72) Inventor: **Suzanne Dalton,** Paris (FR)
 (73) Assignee: **The Procter & Gamble Company,**
 Cincinnati, OH (US)
 (**) Term: **14 Years**
 (21) Appl. No.: **29/498,559**
 (22) Filed: **Aug. 5, 2014**
 (30) **Foreign Application Priority Data**

Feb. 5, 2014 (WO) 791150701
 (51) **LOC (10) Cl.** **09-01**
 (52) **U.S. Cl.**
 USPC **D9/573; D9/574**
 (58) **Field of Classification Search**
 USPC D7/300, 300.1, 598; D9/434-435, 439,
 D9/516, 544, 546, 559, 560, 572-574,
 D9/682, 686, 694; D28/91.1;
 215/381-385; 220/660, 662, 665,
 220/669-673
 CPC B65D 1/00; B65D 1/02; B65D 1/0223;
 B65D 23/00; B65D 83/00; B65D 83/14;
 B65D 83/20; B65D 83/38; B65D
 2501/00; B65D 2501/0009; B65D
 2501/0081; B05B 11/0037

See application file for complete search history.

(56) **References Cited**

U.S. PATENT DOCUMENTS

D77,110 S *	12/1928	McEldowney	D28/91
D213,041 S *	12/1968	Stahl	D9/529
D391,487 S *	3/1998	Jivago	D9/521
D529,813 S *	10/2006	Modjeski	D9/546
D551,982 S *	10/2007	Forman	D9/435
D580,272 S *	11/2008	Weggelaar	D9/542
D643,733 S *	8/2011	Aebi	D9/544
D645,341 S *	9/2011	Bhattacharya	D9/430
D653,943 S *	2/2012	Bhattacharya	D9/430
D653,956 S *	2/2012	Tauer	D9/544

* cited by examiner

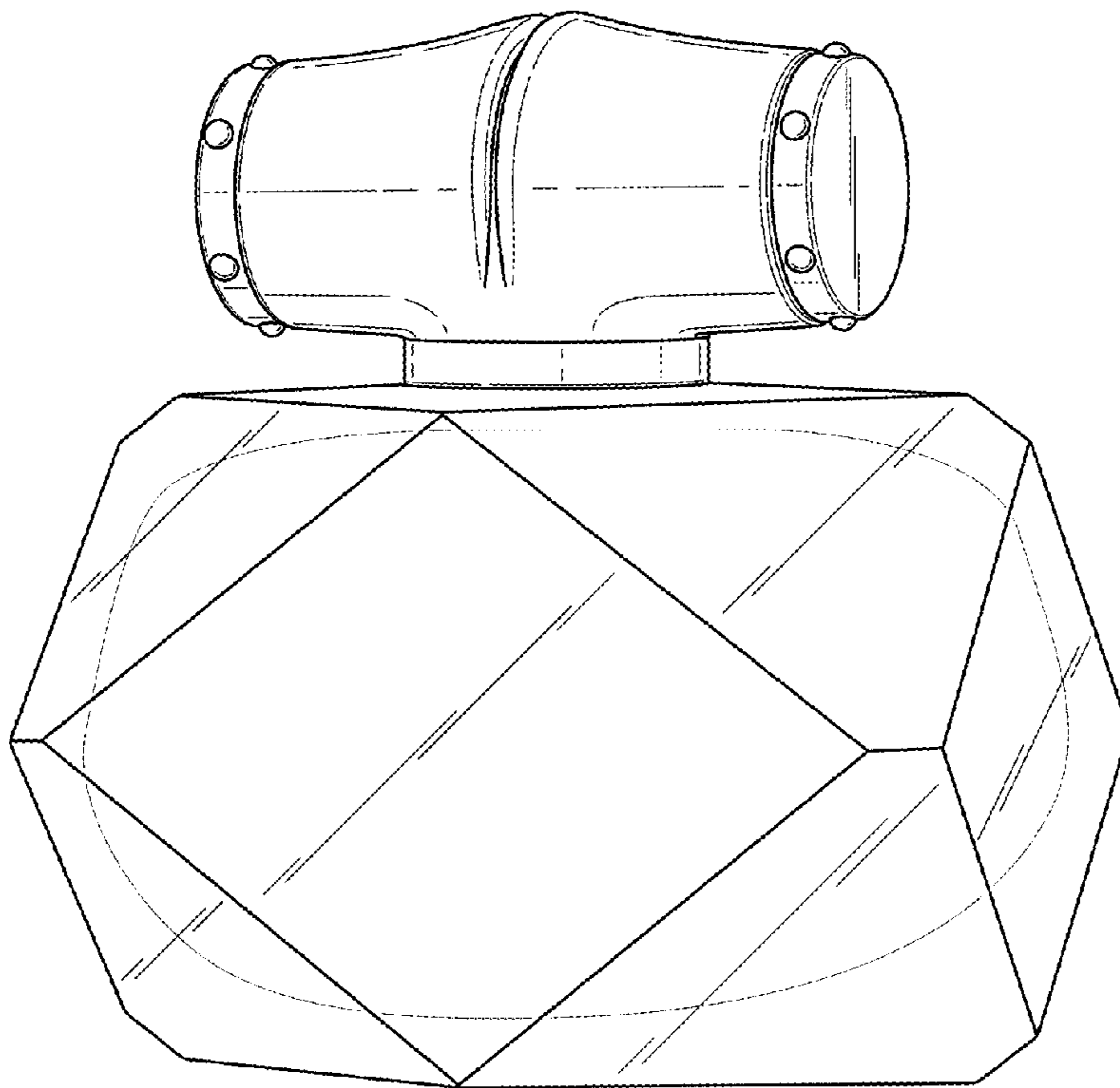
Primary Examiner — Ian Simmons
Assistant Examiner — Janice Lim

(57) **CLAIM**
 The ornamental design for a perfume bottle and cap, as shown and described.

DESCRIPTION

FIG. 1 is a perspective view of a perfume bottle and cap, showing my new design;
 FIG. 2 is a front view thereof;
 FIG. 3 is a rear view thereof;
 FIG. 4 is right side view thereof;
 FIG. 5 is a left side view thereof;
 FIG. 6 is a top plan view thereof; and,
 FIG. 7 is a bottom plan view thereof.

1 Claim, 5 Drawing Sheets



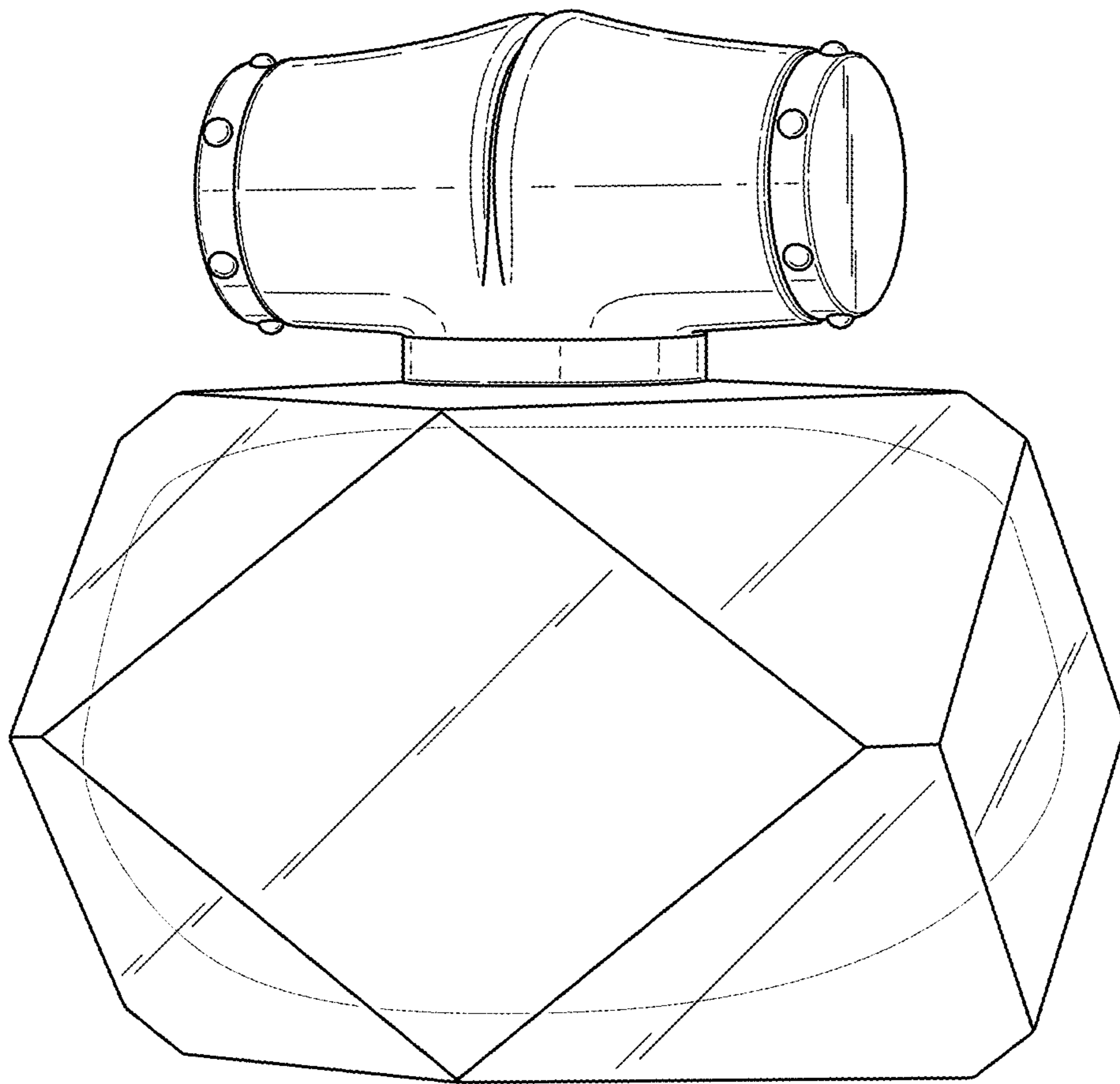


Fig. 1

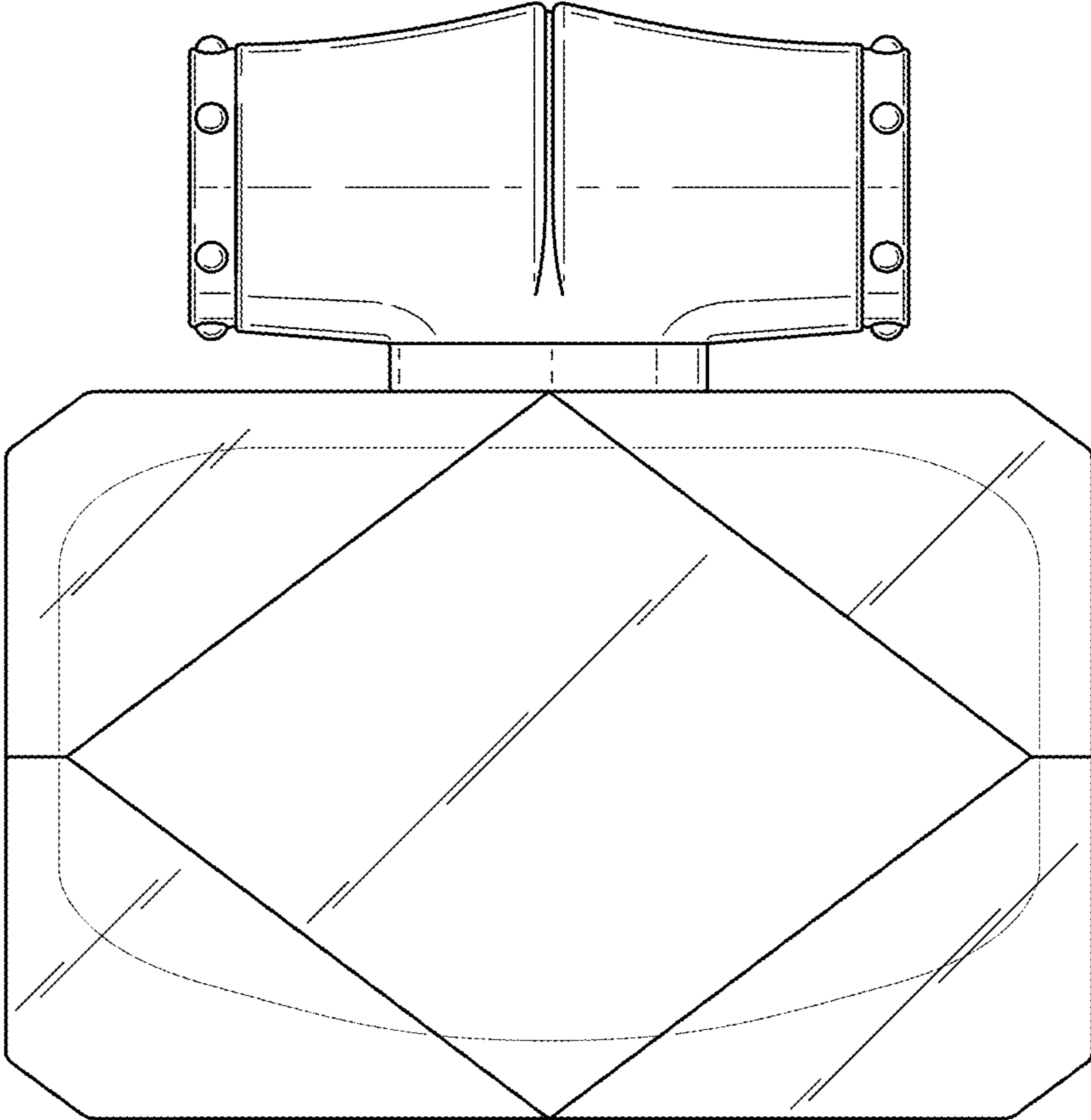


Fig. 2

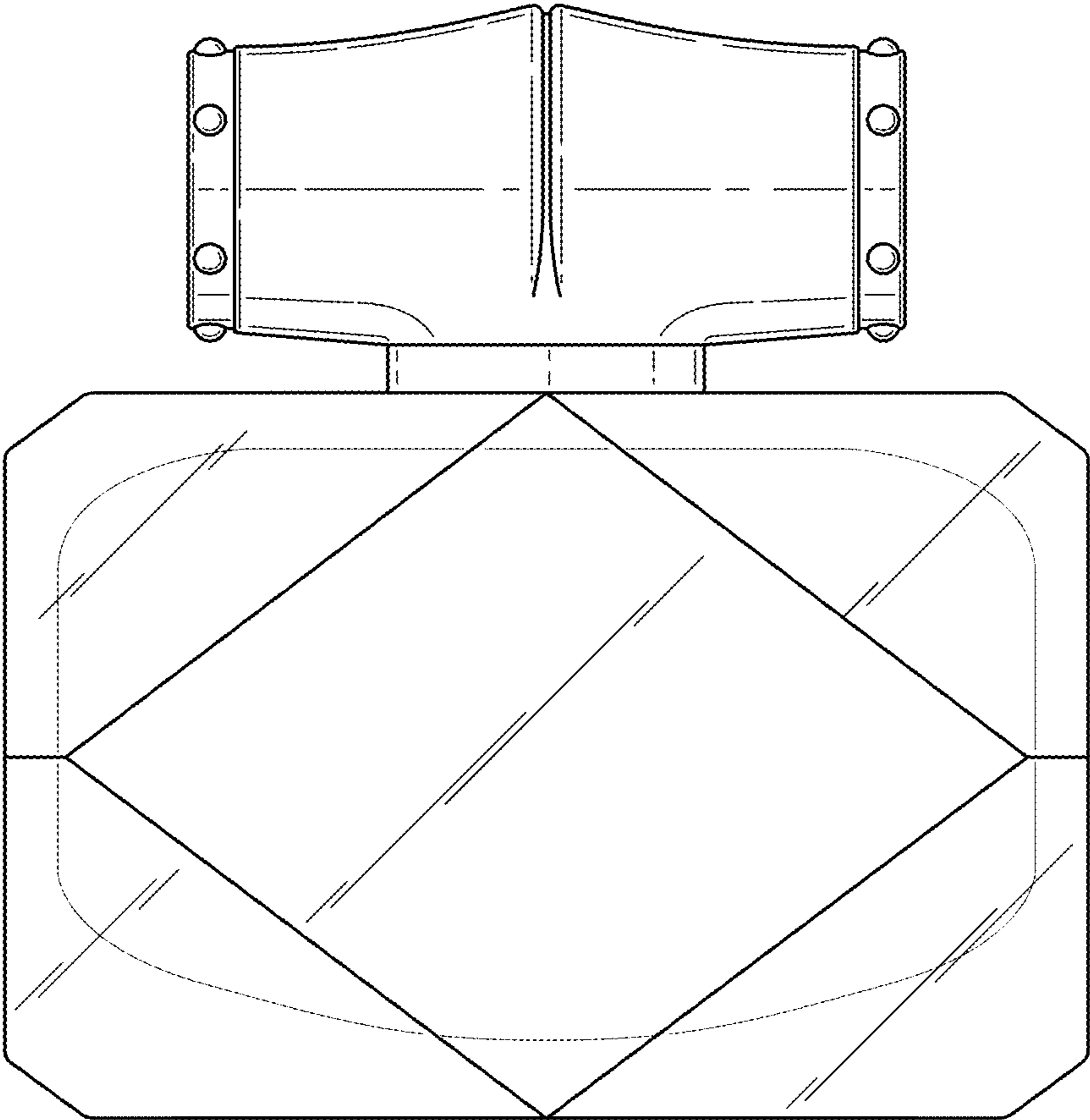


Fig. 3

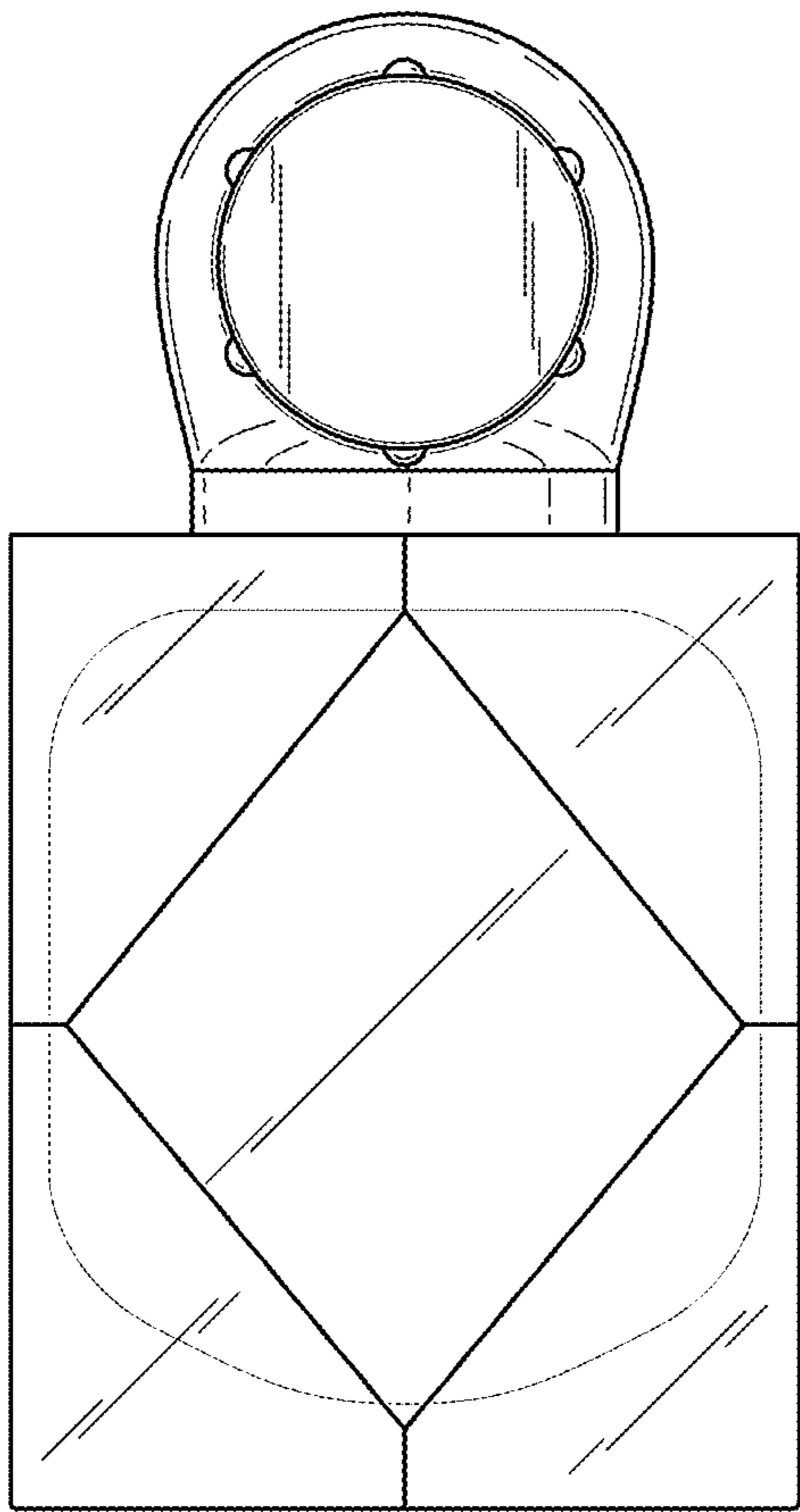


Fig. 4

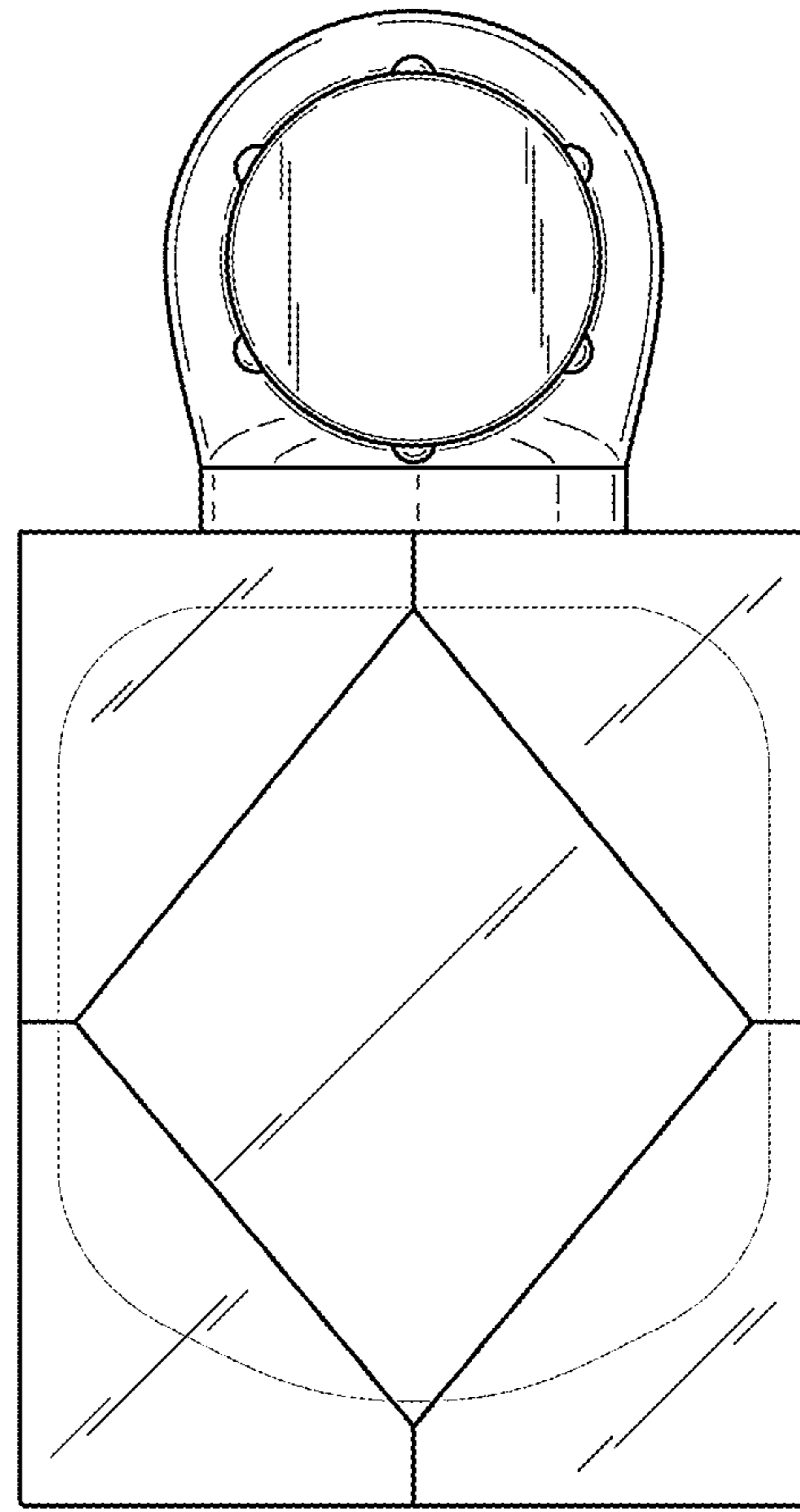


Fig. 5

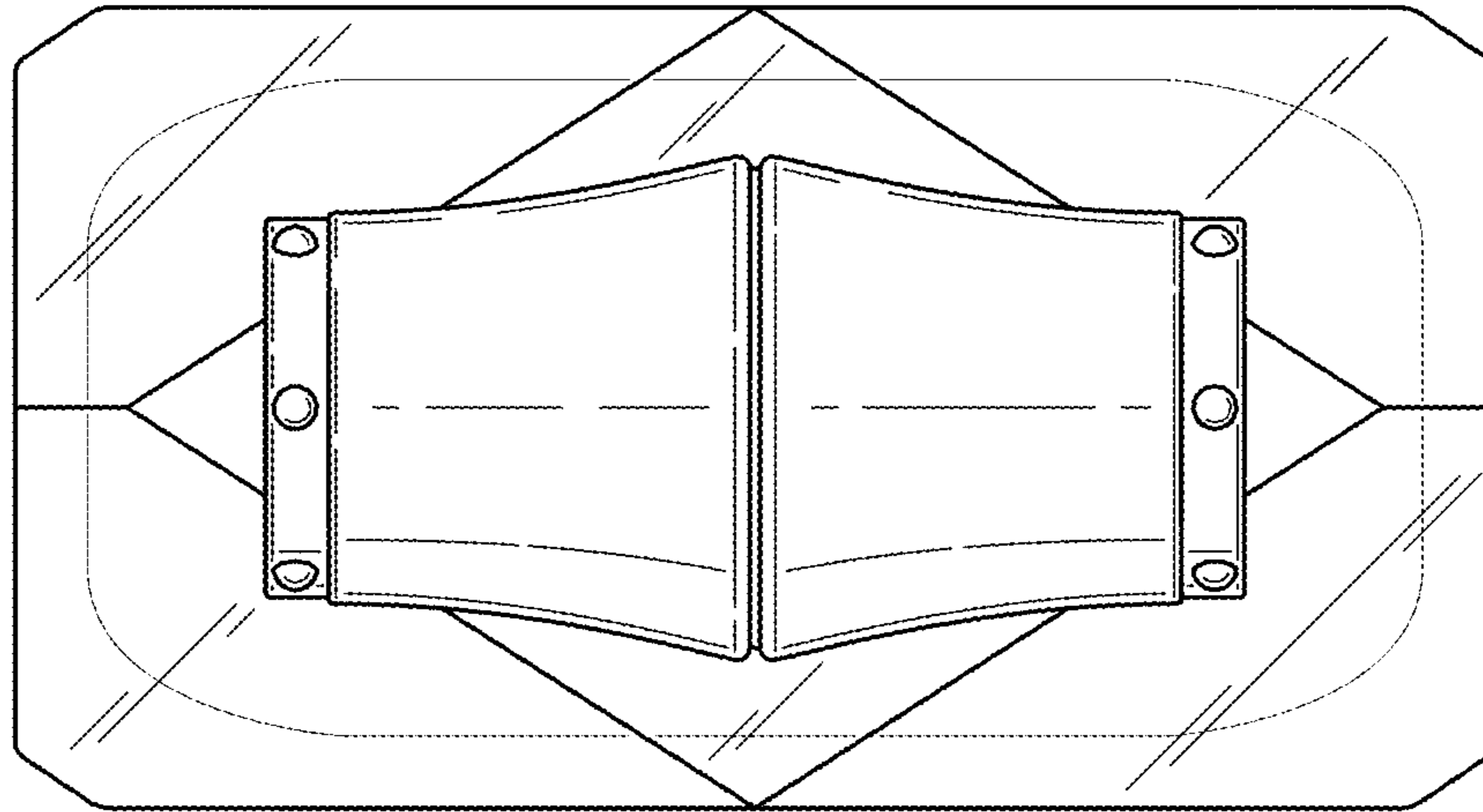


Fig. 6

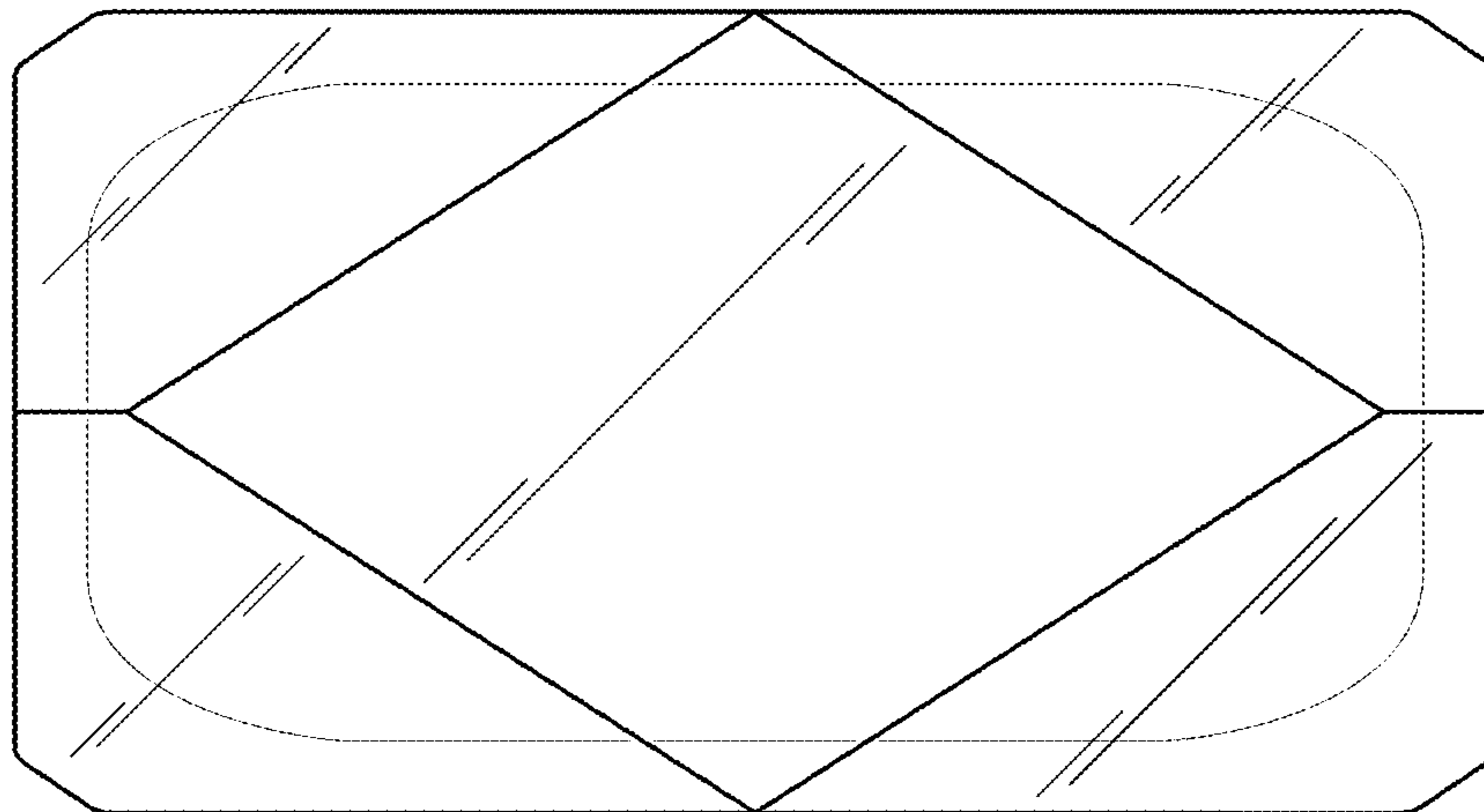


Fig. 7