



US00D786688S

(12) **United States Design Patent** (10) **Patent No.:** **US D786,688 S**
Takei (45) **Date of Patent:** **** May 16, 2017**

(54) **INK BOTTLE**

(71) Applicant: **KABUSHIKI KAISHA PILOT CORPORATION**, Tokyo (JP)

(72) Inventor: **Kimie Takei**, Tokyo (JP)

(73) Assignee: **KABUSHIKI KAISHA PILOT CORPORATION**, Tokyo (JP)

(**) Term: **14 Years**

(21) Appl. No.: **29/518,671**

(22) Filed: **Feb. 26, 2015**

(30) **Foreign Application Priority Data**

Sep. 8, 2014 (JP) 2014-019888

(51) **LOC (10) Cl.** **09-01**

(52) **U.S. Cl.**
USPC **D9/560**

(58) **Field of Classification Search**

USPC D9/504, 505, 516, 544-546, 682,
D9/686-692, 537-539; D28/76, 91.1;
215/379, 381, 382, 384; 220/660, 662,
220/669, 675

CPC ... B05B 11/0054; B05B 11/0078; B65D 1/02;
B65D 1/0223; B65D 1/0276; B65D
2501/0081; B65D 90/02

See application file for complete search history.

(56) **References Cited**

U.S. PATENT DOCUMENTS

D133,415 S * 8/1942 Meyer D9/560
D269,067 S * 5/1983 Balleraud D9/435
D311,681 S * 10/1990 Aggarwal D9/547
D431,190 S * 9/2000 Adachi D9/520
D442,868 S * 5/2001 Gavin D9/570
D471,108 S * 3/2003 Calderone, Jr. D9/520

D512,920 S * 12/2005 Kim D9/560
D551,987 S * 10/2007 Kuethe D9/453
D602,785 S * 10/2009 Rothberg D9/547
2006/0213863 A1 * 9/2006 Tran B65D 1/0276
215/382

* cited by examiner

Primary Examiner — Ian Simmons

Assistant Examiner — Janice Lim

(74) *Attorney, Agent, or Firm* — Sughrue Mion, PLLC

(57) **CLAIM**

The ornamental design for an ink bottle, as shown and described.

DESCRIPTION

FIG. 1 is a perspective view of an ink bottle showing my new design;

FIG. 2 is a front view thereof;

FIG. 3 is a rear view thereof;

FIG. 4 is a left side view thereof;

FIG. 5 is a right side view thereof;

FIG. 6 is a top plan view thereof;

FIG. 7 is a bottom plan view thereof;

FIG. 8 is a front view thereof, shown without the cap for ease of illustration;

FIG. 9 is a rear view thereof, shown without the cap for ease of illustration;

FIG. 10 is a left side view thereof, shown without the cap for ease of illustration;

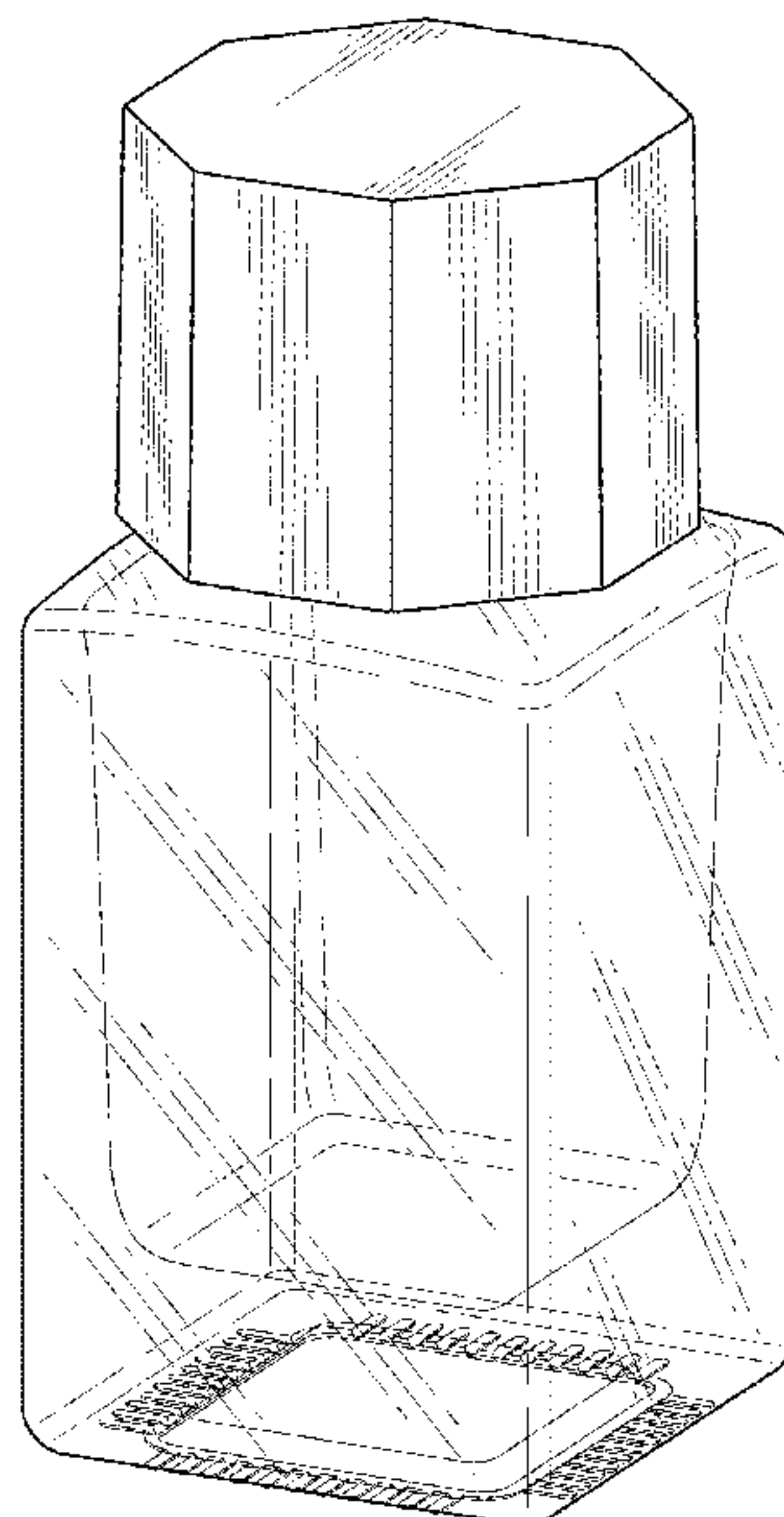
FIG. 11 is a right side view thereof, shown without the cap for ease of illustration;

FIG. 12 is a top view thereof, shown without the cap for ease of illustration; and,

FIG. 13 is a bottom view thereof, shown without the cap for ease of illustration.

The broken line portion shows unclaimed subject matter only and forms no part of the claimed design.

1 Claim, 7 Drawing Sheets



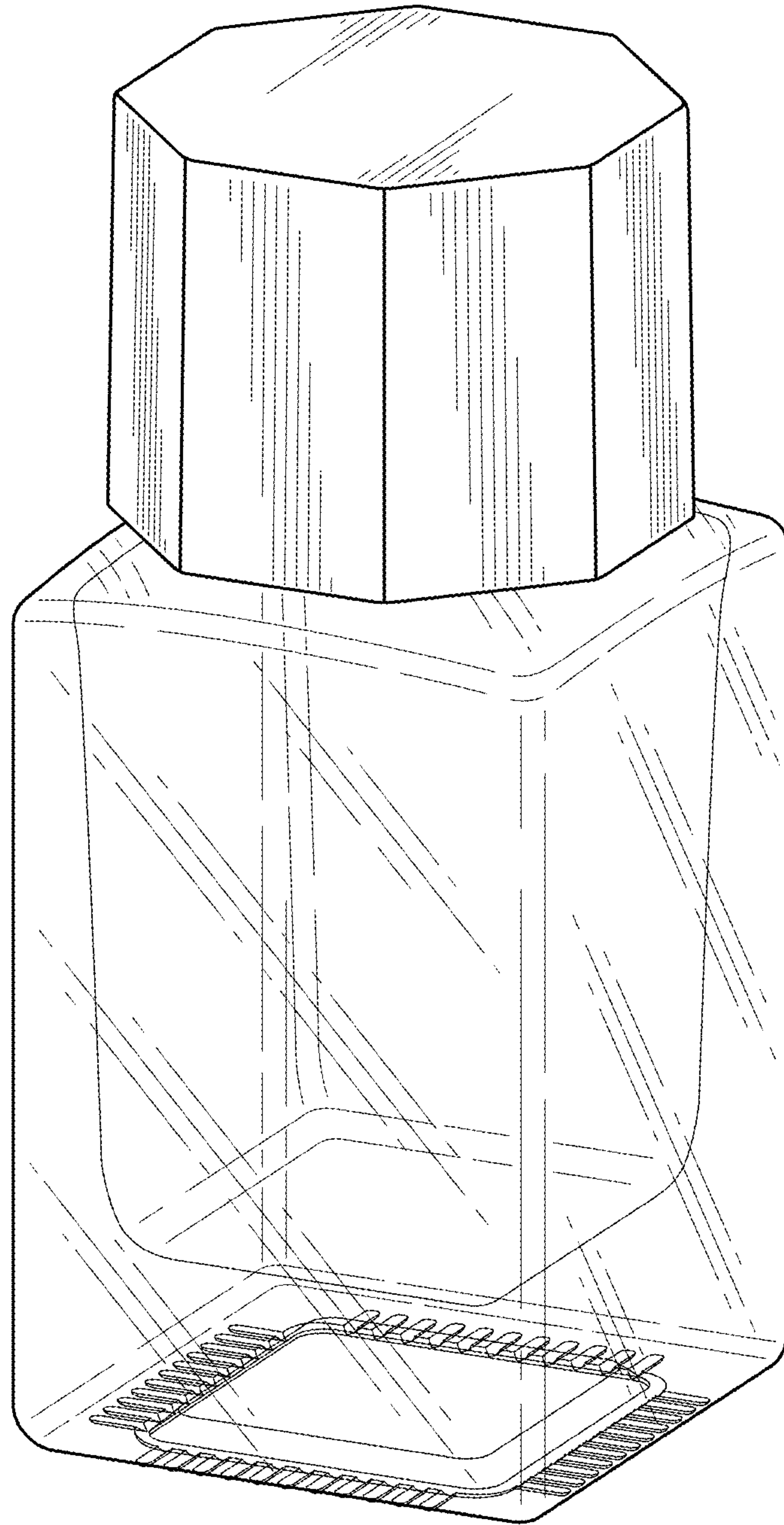


FIG. 1

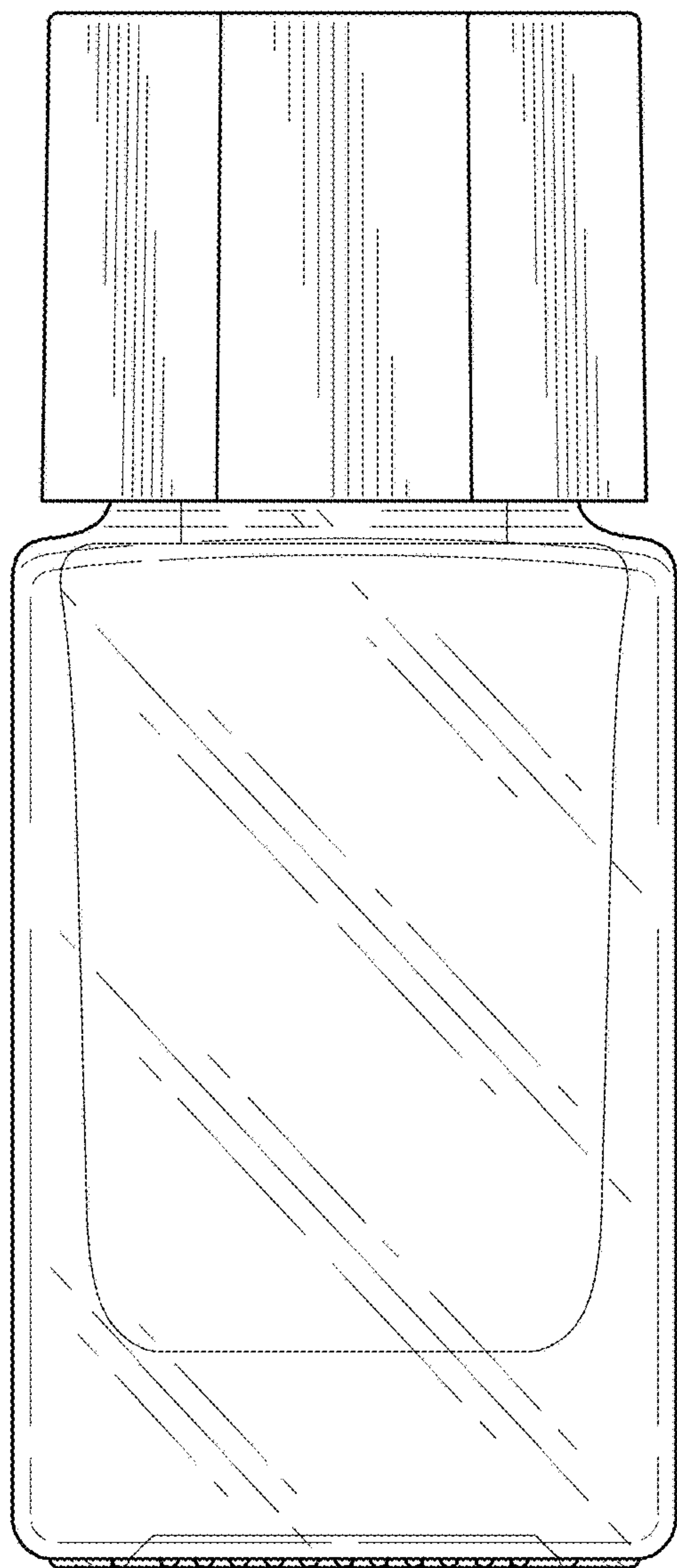


FIG. 2

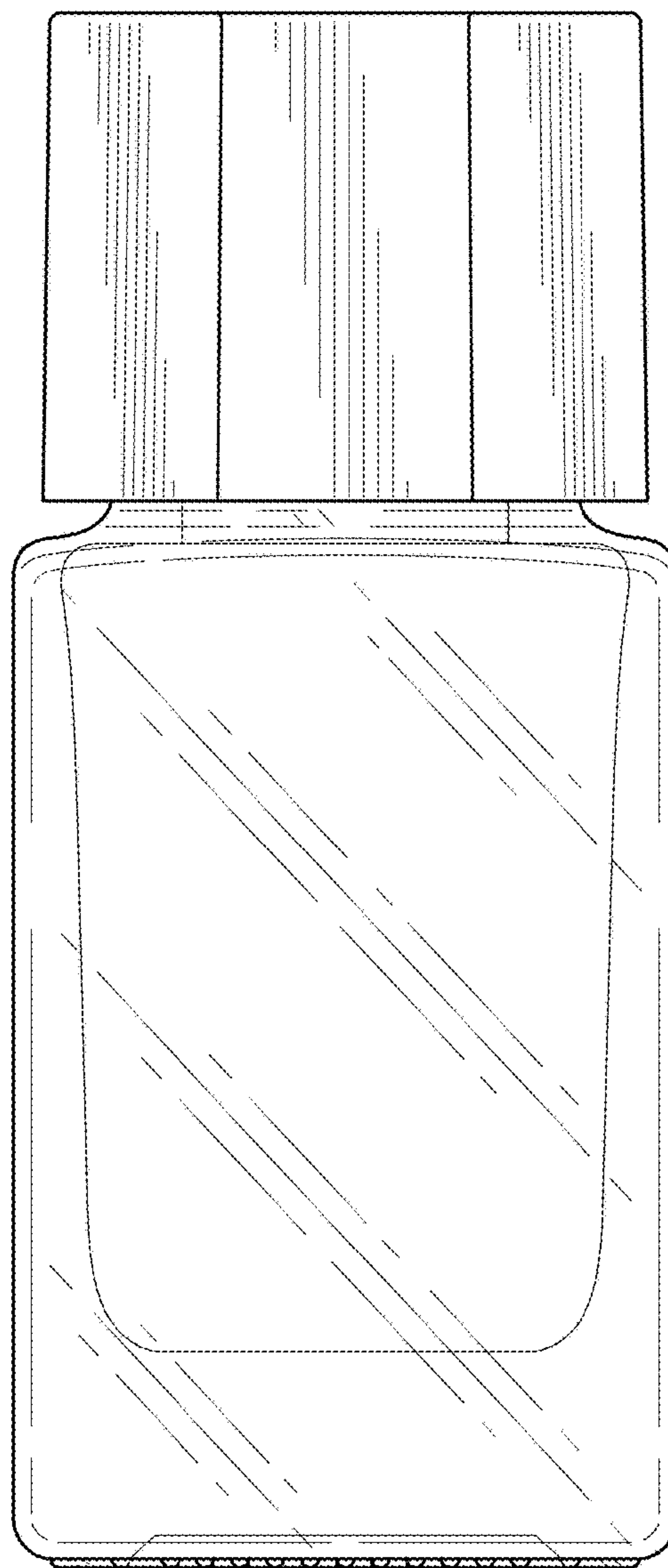


FIG. 3

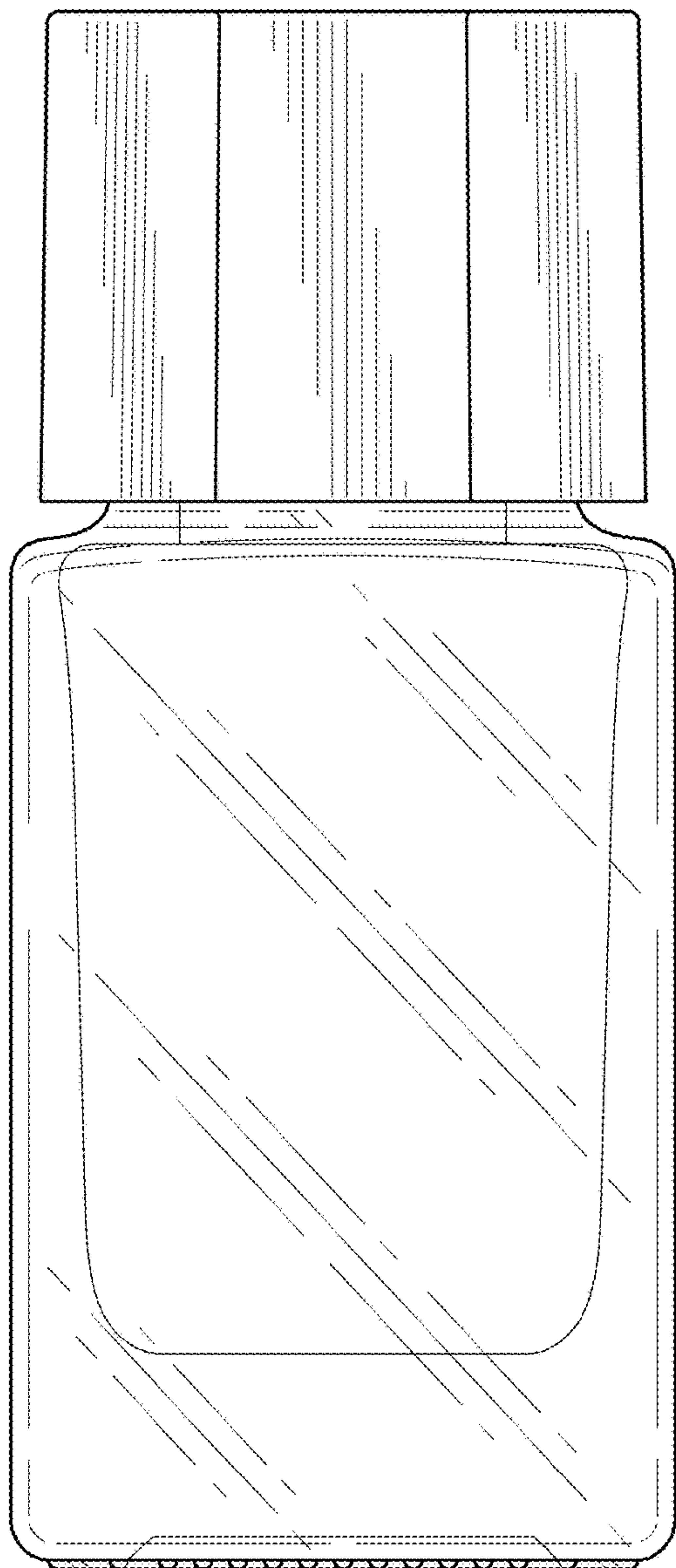


FIG. 4

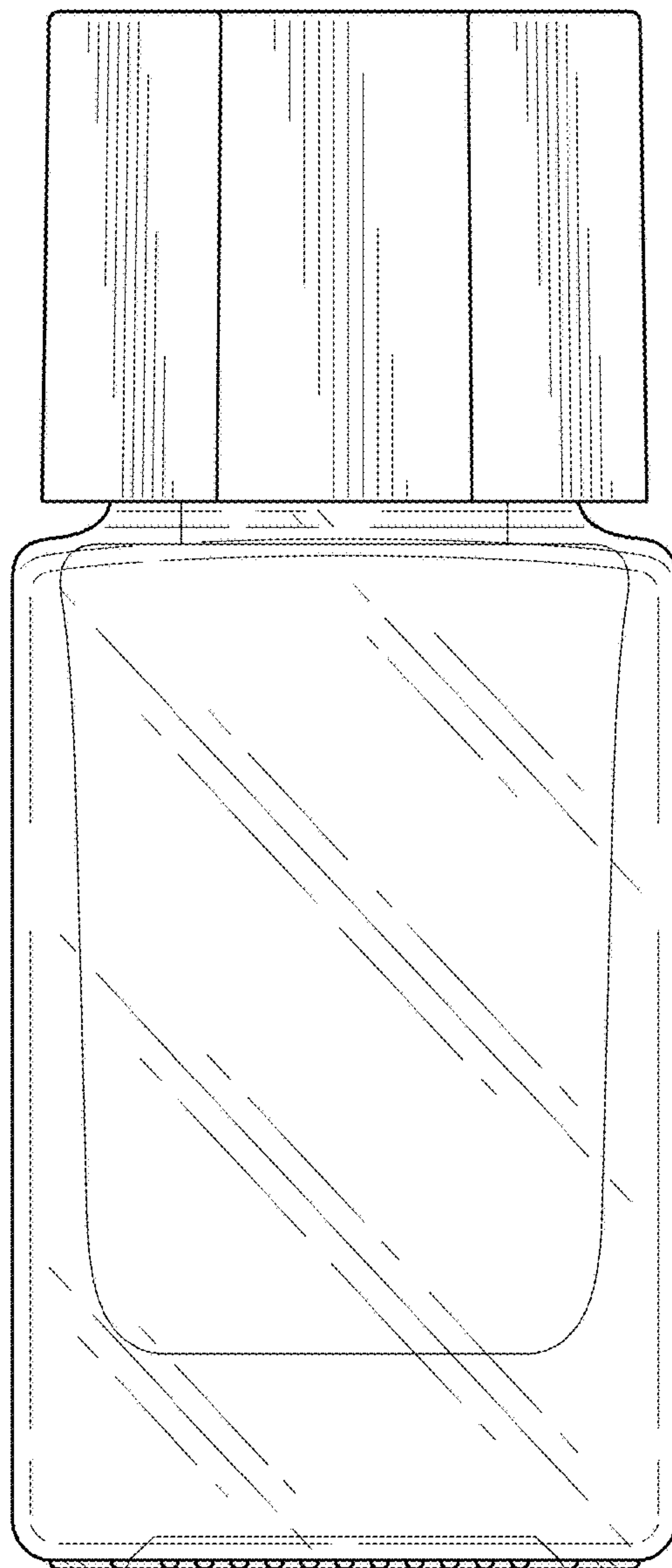


FIG. 5

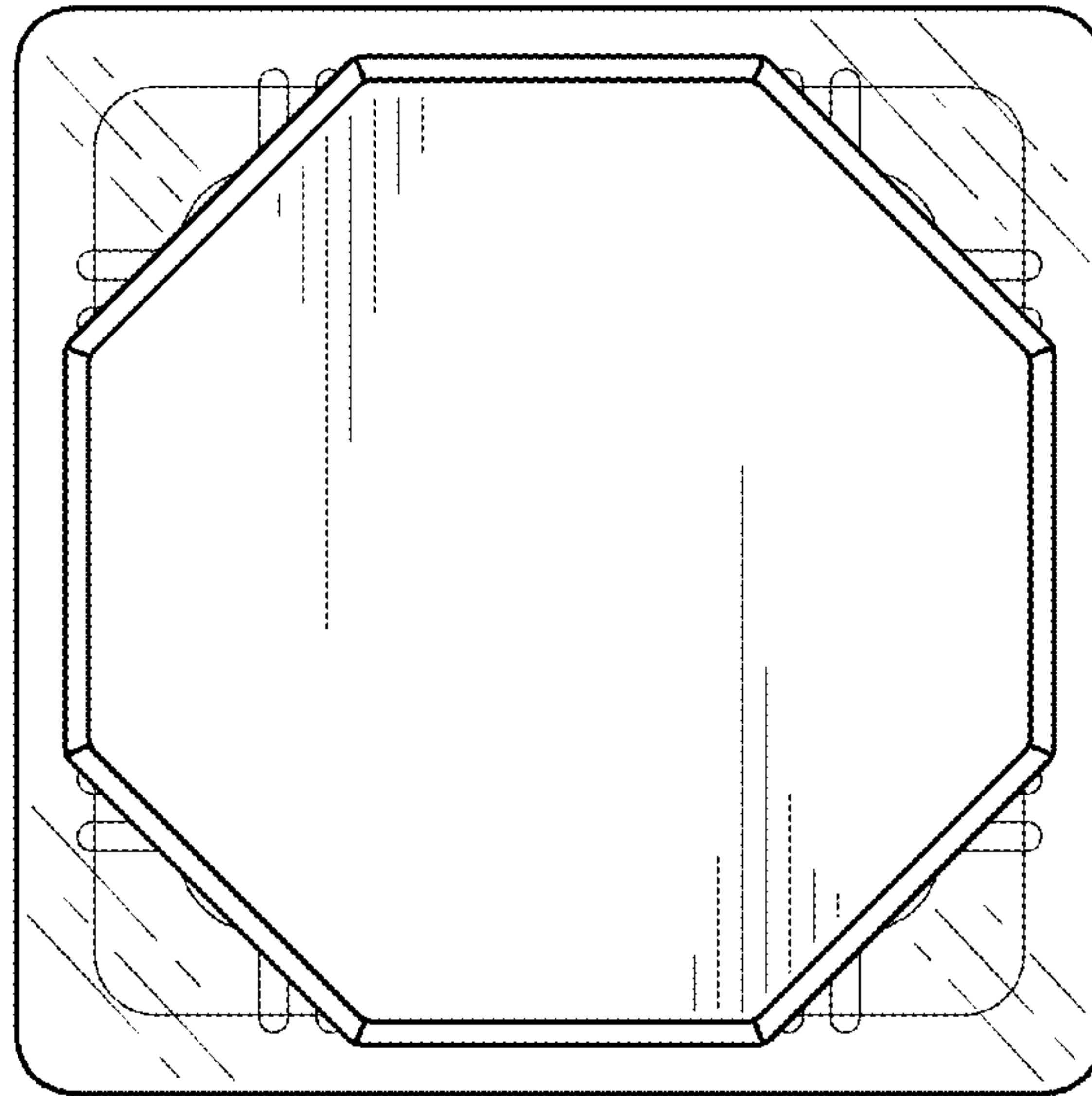


FIG. 6

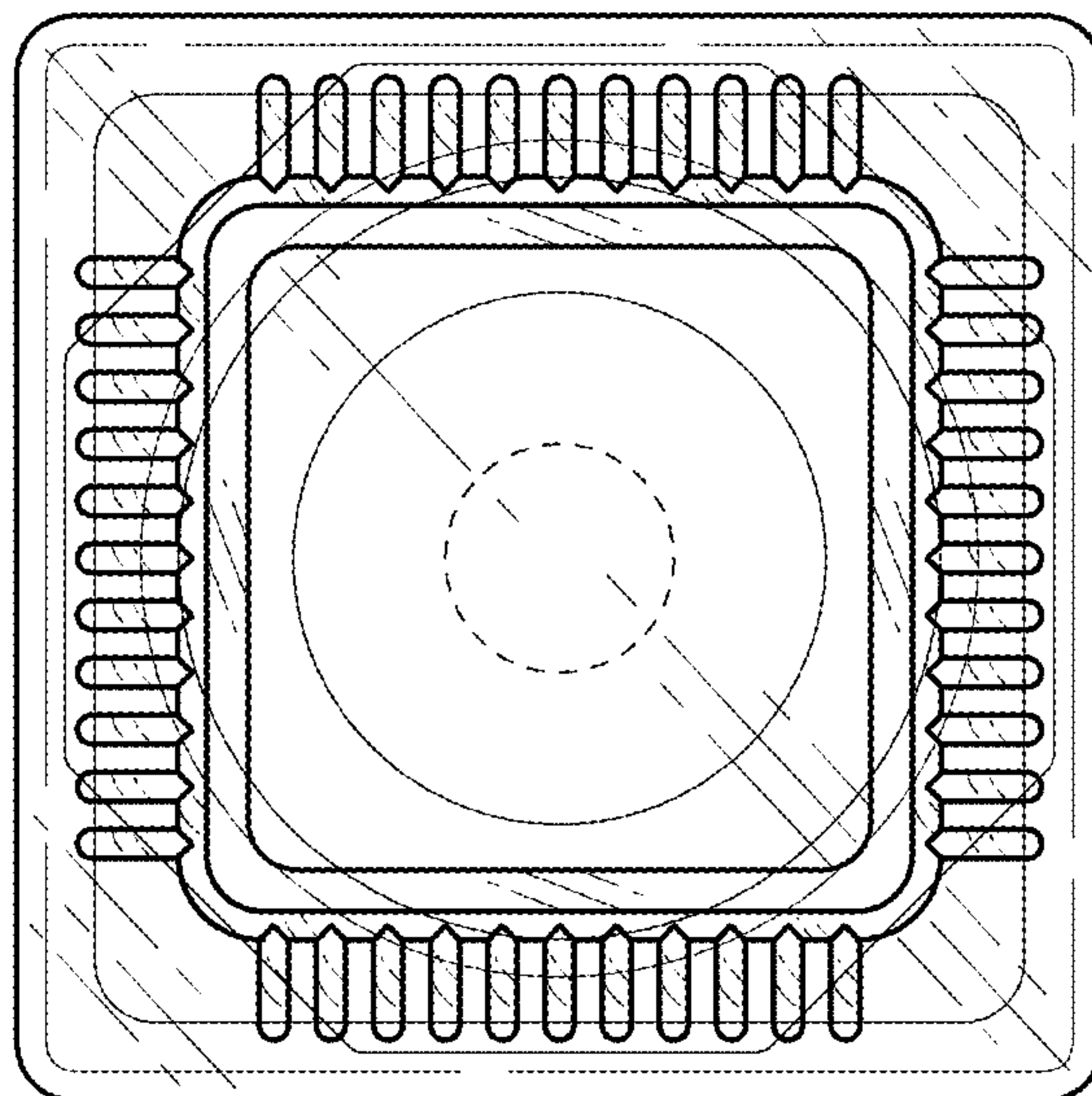


FIG. 7

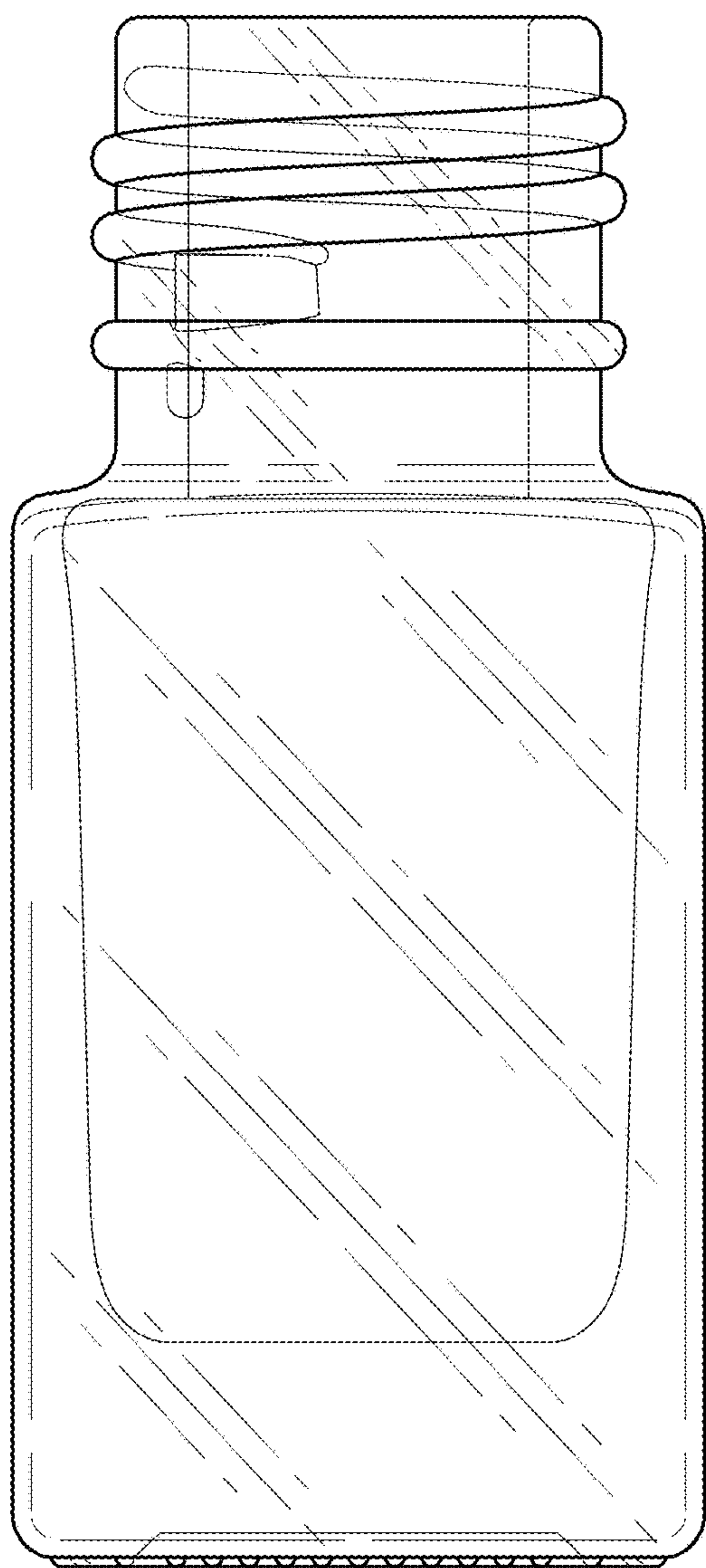


FIG. 8

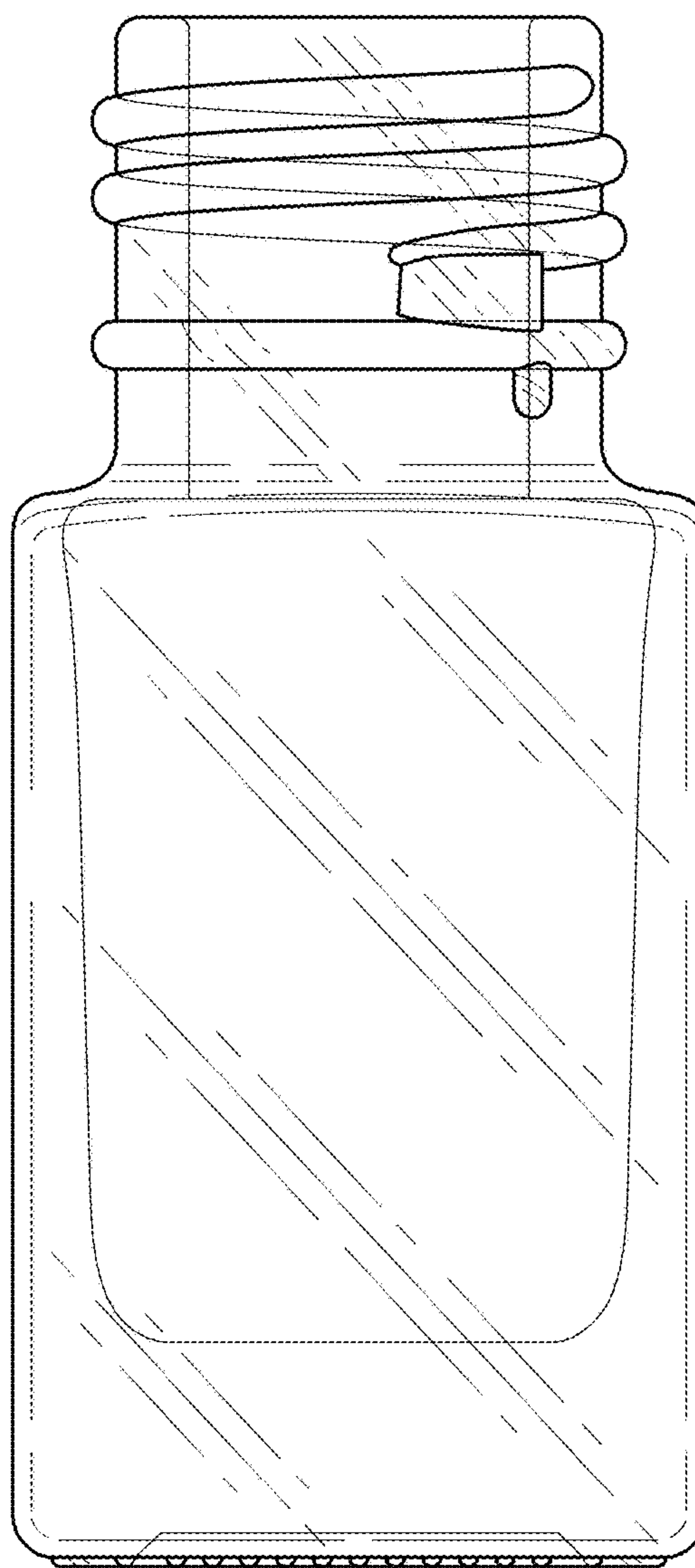


FIG. 9

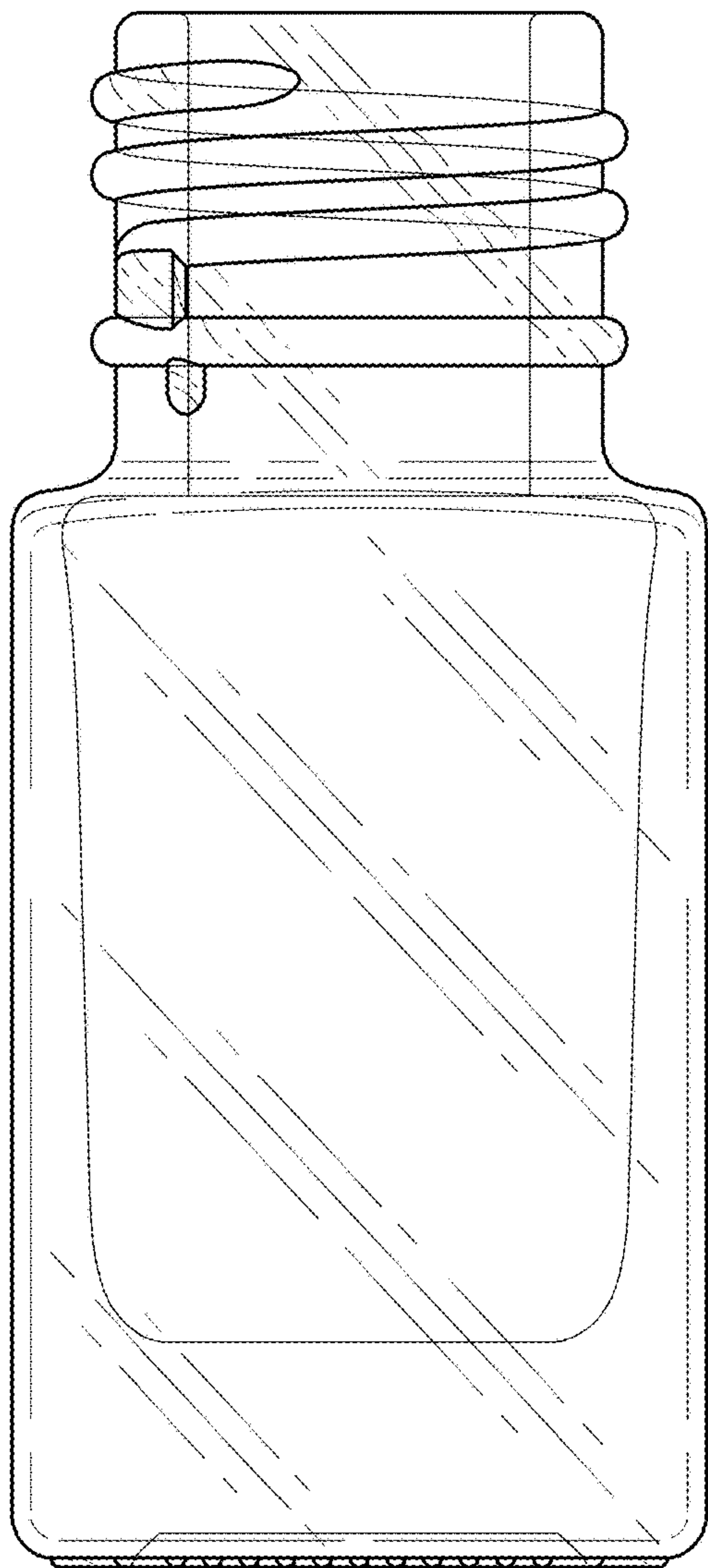


FIG. 10

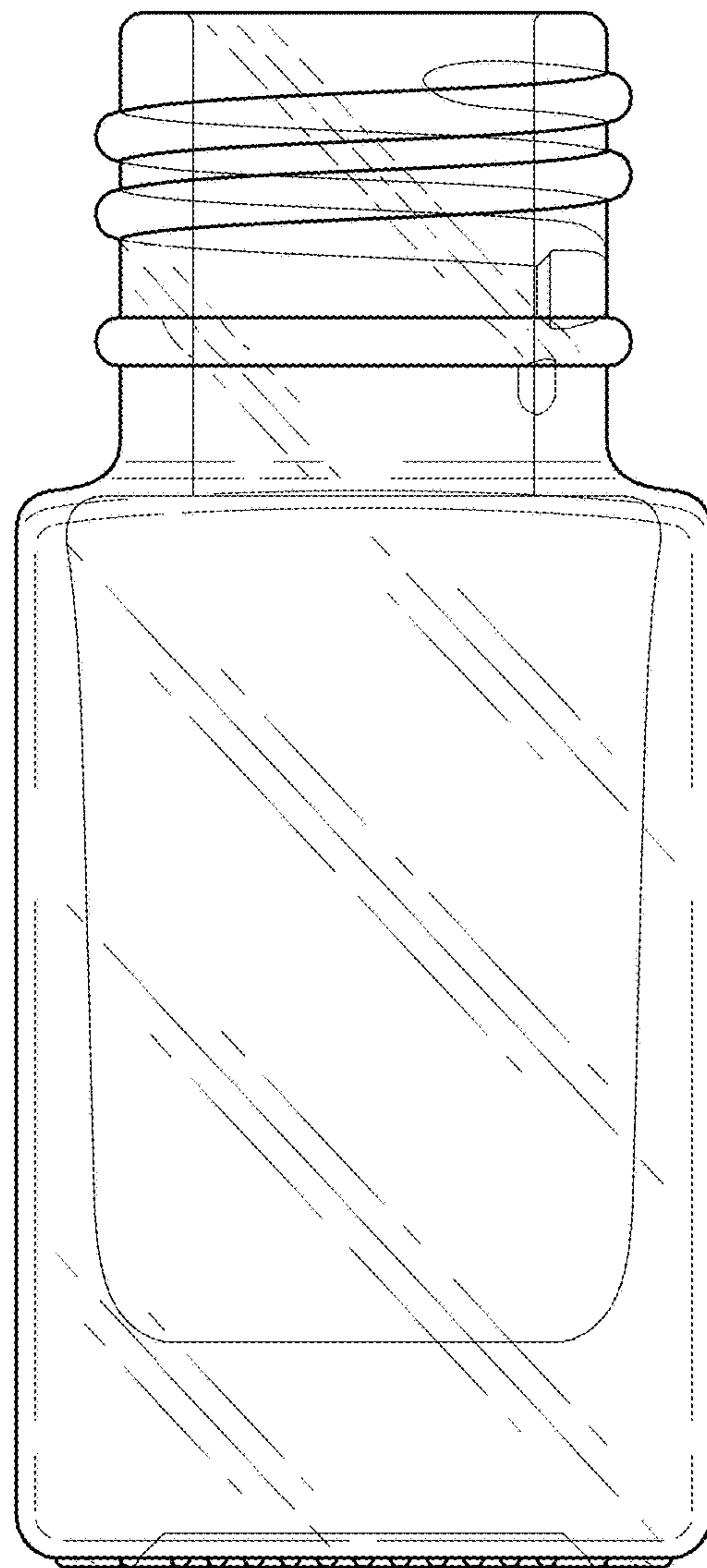


FIG. 11

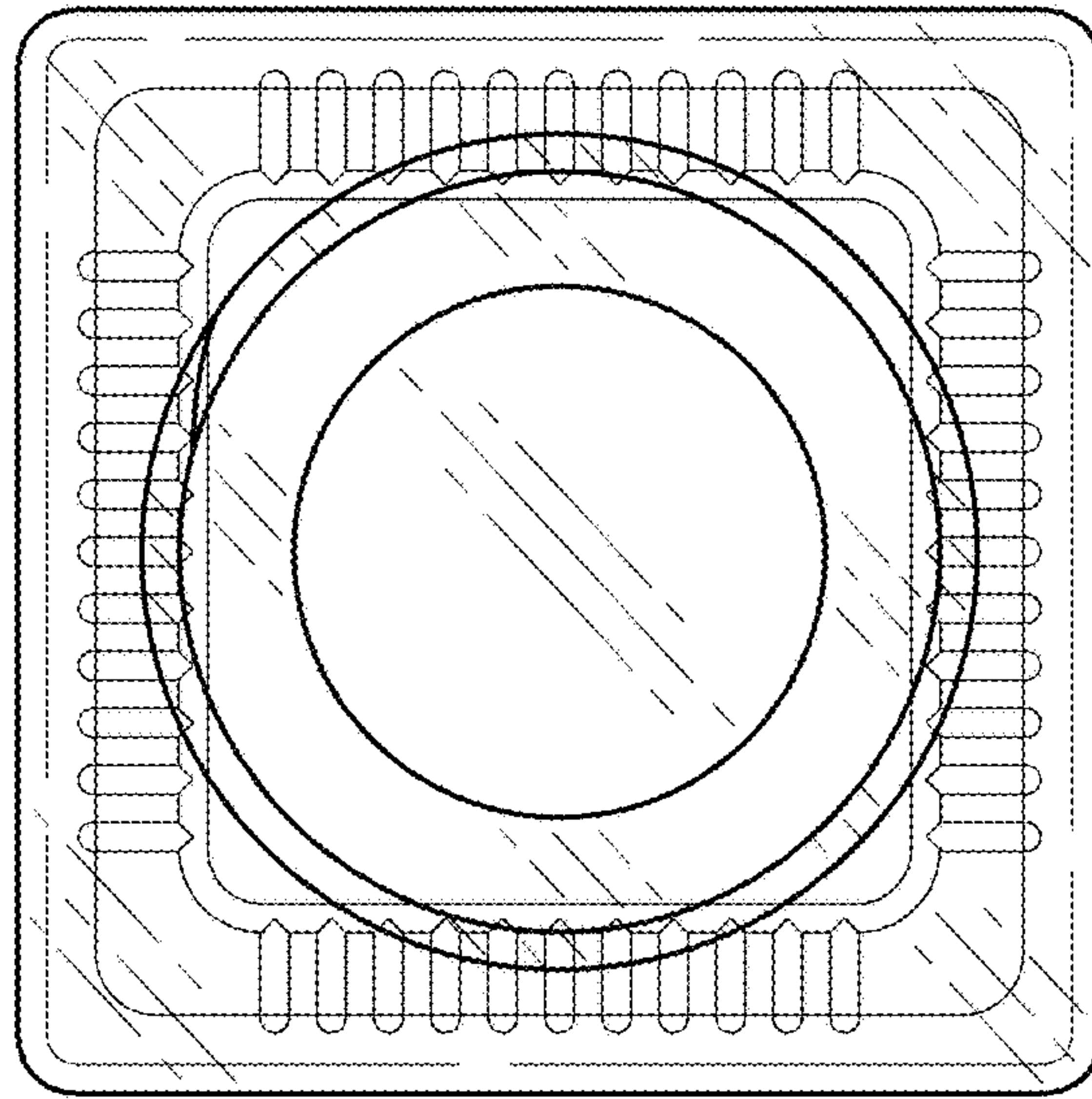


FIG. 12

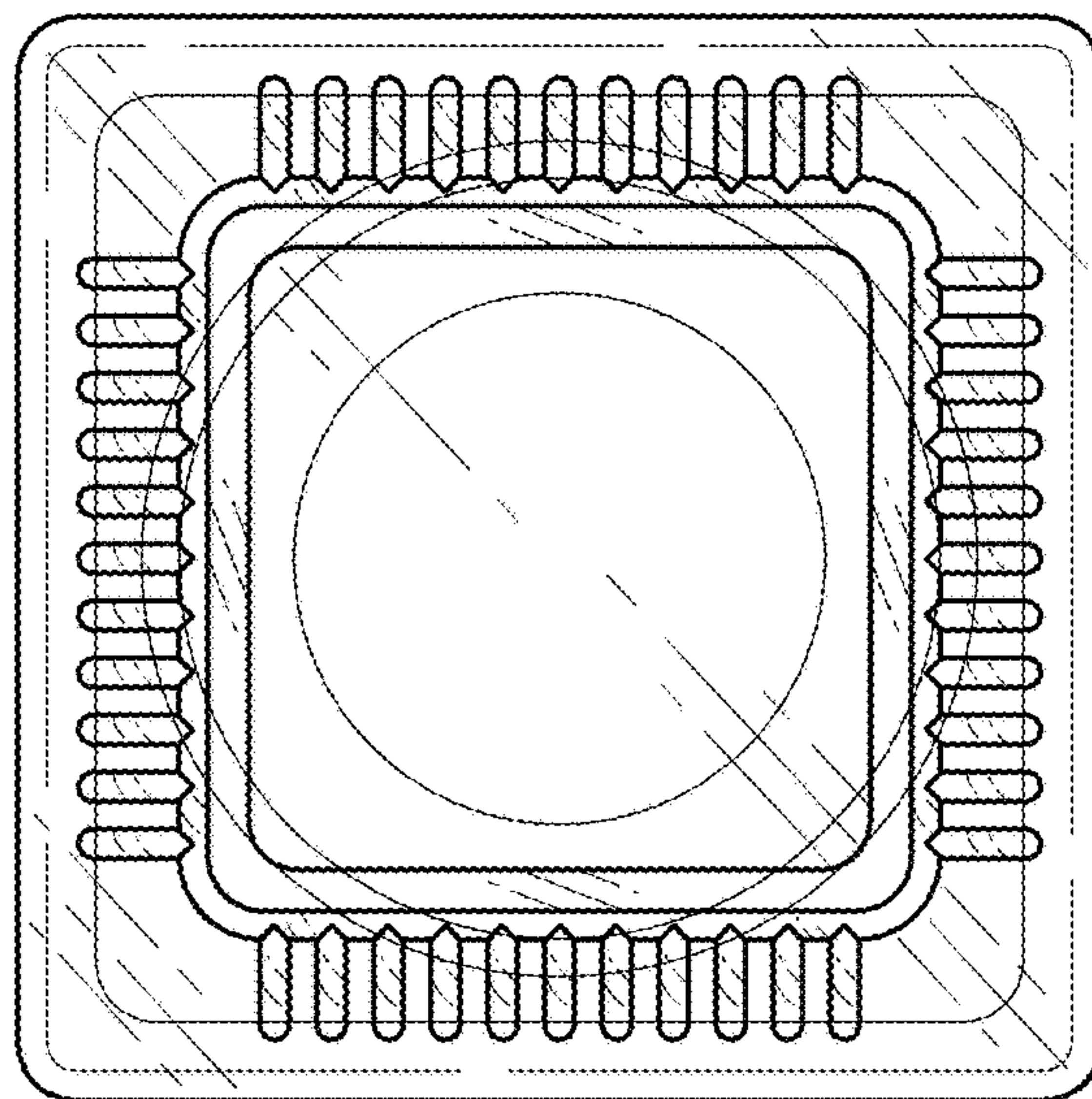


FIG. 13