



US00D786686S

(12) **United States Design Patent**  
**Robin-Prevallee**

(10) **Patent No.:** **US D786,686 S**  
(45) **Date of Patent:** **\*\* May 16, 2017**

(54) **BOTTLE**

FOREIGN PATENT DOCUMENTS

(71) Applicant: **DIAGEO NORTH AMERICA, INC.**,  
Norwalk, CT (US)

EM 000607890-0001 10/2006  
EM 000607890-0002 10/2006  
EM 000607890-0003 10/2006

(72) Inventor: **Laurent Robin-Prevallee**, London  
(GB)

OTHER PUBLICATIONS

(73) Assignee: **DIAGEO BRANDS B.V.**, Amsterdam  
(NL)

<http://www.drinkspirits.com/gin/the-difference-between-tanqueray-gin-and-tanquery-10-gin/>.\*

(\*\*) Term: **14 Years**

*Primary Examiner* — Ian Simmons

(21) Appl. No.: **29/486,375**

*Assistant Examiner* — Keith Frank

(22) Filed: **Mar. 28, 2014**

(74) *Attorney, Agent, or Firm* — Dorsey & Whitney LLP

(30) **Foreign Application Priority Data**

(57) **CLAIM**

Nov. 12, 2013 (EM) ..... 002344176-0001  
Nov. 12, 2013 (EM) ..... 002344176-0002

I claim the ornamental design for a bottle, substantially as shown.

(51) **LOC (10) Cl.** ..... **09-01**

(52) **U.S. Cl.**  
USPC ..... **D9/550**; D9/520; D9/556; D9/571;  
D9/575; D9/452; D9/454

**DESCRIPTION**

(58) **Field of Classification Search**

USPC ..... D9/500, 505, 516, 544–546, 549, 554,  
D9/558, 559, 564, 563, 56, 682, 686, 562,  
D9/520, 434, 435, 452, 454, 550, 551,  
D9/556, 571, 575, 715, 719; D7/598,  
D7/300, 300.1, 540; 215/379, 382, 373,  
215/370–371; 220/660, 662, 669–673,  
220/675, 600, 608, 623, 633, 677;  
D11/143, 152, 153

FIG. 1 is a front isometric view of a first embodiment of a bottle.

FIG. 2 is a front elevation view of the bottle of FIG. 1.

FIG. 3 is a rear elevation view of the bottle of FIG. 1.

FIG. 4 is a left side elevation view of the bottle of FIG. 1.

FIG. 5 is a right side elevation view of the bottle of FIG. 1.

FIG. 6 is a top plan view of the bottle of FIG. 1.

FIG. 7 is a bottom plan view of the bottle of FIG. 1.

FIG. 8 is a front isometric view of a second embodiment of a bottle.

FIG. 9 is a front elevation view of the bottle of FIG. 8.

FIG. 10 is a rear elevation view of the bottle of FIG. 8.

FIG. 11 is a left side elevation view of the bottle of FIG. 8.

FIG. 12 is a right side elevation view of the bottle of FIG. 8.

8.

FIG. 13 is a top plan view of the bottle of FIG. 8; and,

FIG. 14 is a bottom plan view of the bottle of FIG. 8.

CPC .... B65D 1/0261; B65D 2203/02; B65D 1/44;  
B65D 2501/0027; B65D 2501/0081

See application file for complete search history.

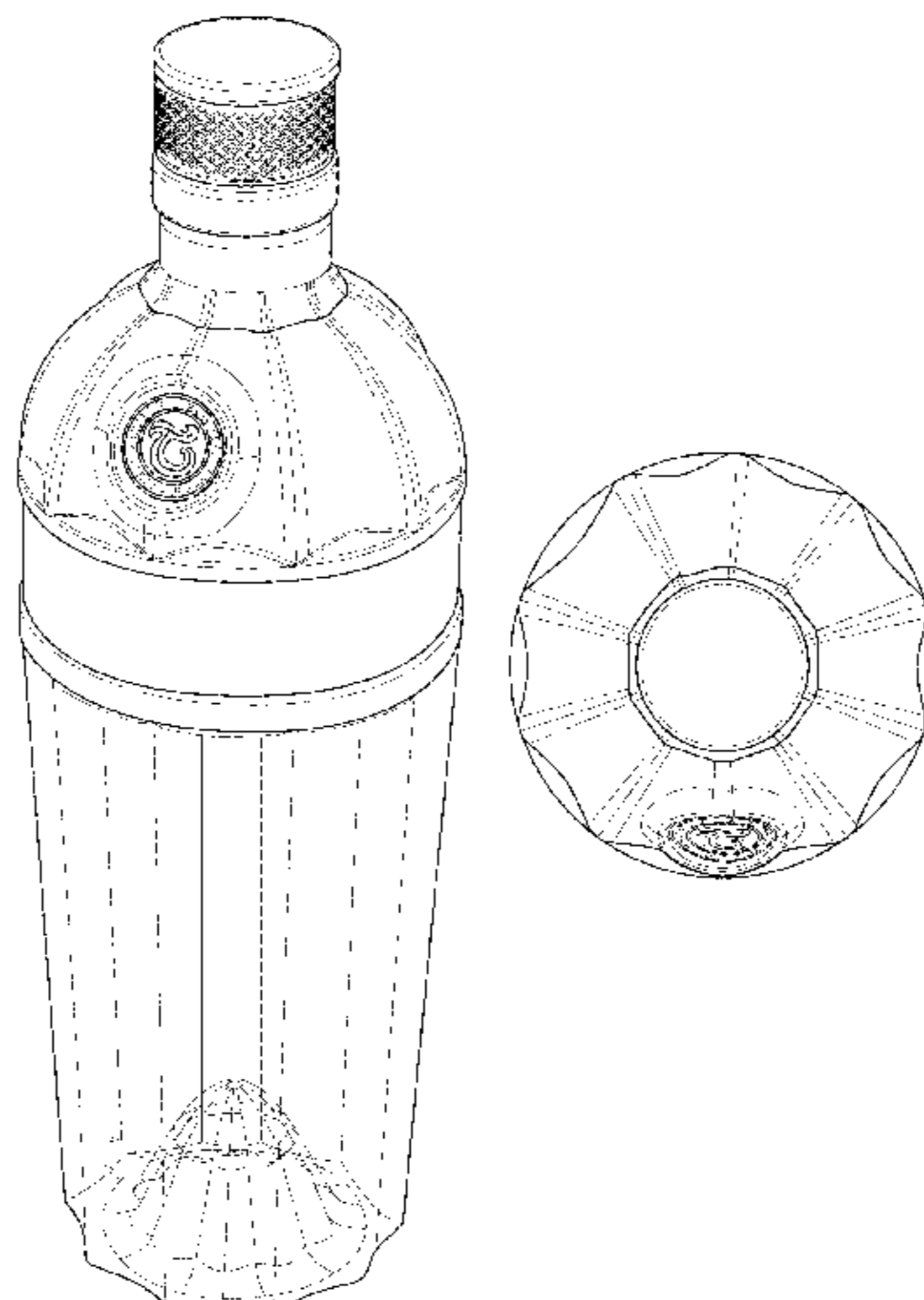
(56) **References Cited**

U.S. PATENT DOCUMENTS

D48,370 S \* 1/1916 Goldberg ..... D9/545  
D57,147 S \* 2/1921 Okki ..... D9/546  
D95,590 S \* 5/1935 Kessler ..... D9/548

(Continued)

**1 Claim, 8 Drawing Sheets**



(56)

References Cited

U.S. PATENT DOCUMENTS

D138,663 S *	8/1944	Teunisz .....	D9/556	D583,247 S	12/2008	DeFina	
D304,551 S *	11/1989	Desgrippes .....	D9/556	D586,658 S *	2/2009	Pritchett, Jr. ....	D9/539
D306,260 S *	2/1990	Daucourt .....	D9/545	D598,779 S	8/2009	Lepoitevin	
D339,987 S *	10/1993	Jobit .....	D9/667	D608,652 S	1/2010	Eisen	
D428,307 S *	7/2000	Yeandel .....	D7/531	D626,424 S *	11/2010	Ross et al. ....	D9/601
D464,572 S *	10/2002	Markus .....	D9/569	D629,700 S *	12/2010	Hegnauer .....	D9/569
D464,889 S *	10/2002	Cogley et al. ....	D9/538	D636,677 S *	4/2011	Diez et al. ....	D9/500
D480,315 S *	10/2003	Sadeghi et al. ....	D9/538	D638,717 S	5/2011	Schulman et al.	
D483,982 S *	12/2003	Irvine .....	D7/300.1	D644,515 S *	9/2011	Tieleman et al. ....	D9/516
D518,714 S *	4/2006	Hierzer et al. ....	D9/447	D646,977 S *	10/2011	Martin .....	D9/540
D536,976 S *	2/2007	Ciulla et al. ....	D9/500	D650,690 S *	12/2011	Guglielmo .....	D9/559
D537,346 S *	2/2007	Waldner .....	D9/517	D653,552 S	2/2012	Chupak	
D548,104 S	8/2007	Waldner		D653,959 S	2/2012	Chupak	
D555,483 S	11/2007	Bezuglov		D665,673 S *	8/2012	Warner .....	D9/546
D555,488 S	11/2007	Marton		D666,494 S *	9/2012	Stull et al. ....	D9/449
D561,029 S	2/2008	Waldner		D668,956 S	10/2012	Hirst	
D565,959 S	4/2008	Hadtke		D699,116 S *	2/2014	Sanderson .....	D9/516
D576,495 S	9/2008	Slubski		D702,503 S *	4/2014	Steel et al. ....	D7/510
D581,803 S *	12/2008	Lepoitevin .....	D9/520	D710,196 S *	8/2014	Ivosevic .....	D9/445
				D725,953 S *	4/2015	Gamelli et al. ....	D7/300.1
				D727,671 S *	4/2015	Gamelli .....	D7/300.1
				D729,628 S *	5/2015	Gordon et al. ....	D9/541

\* cited by examiner

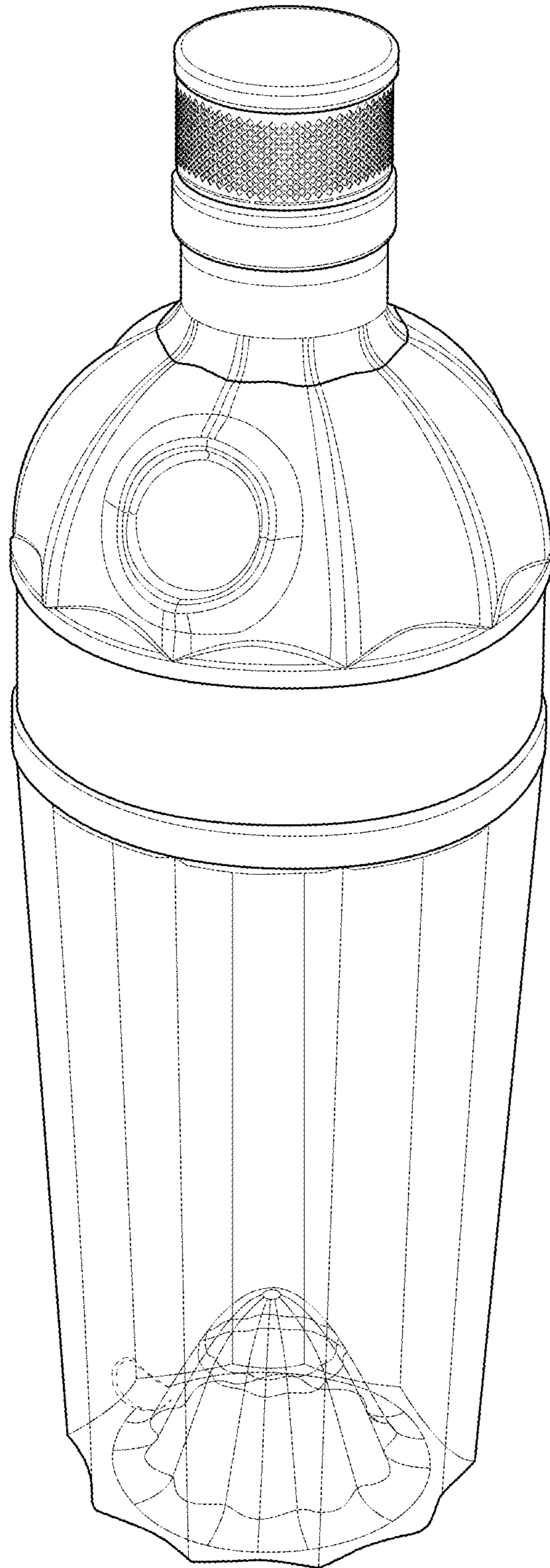


FIG. 1



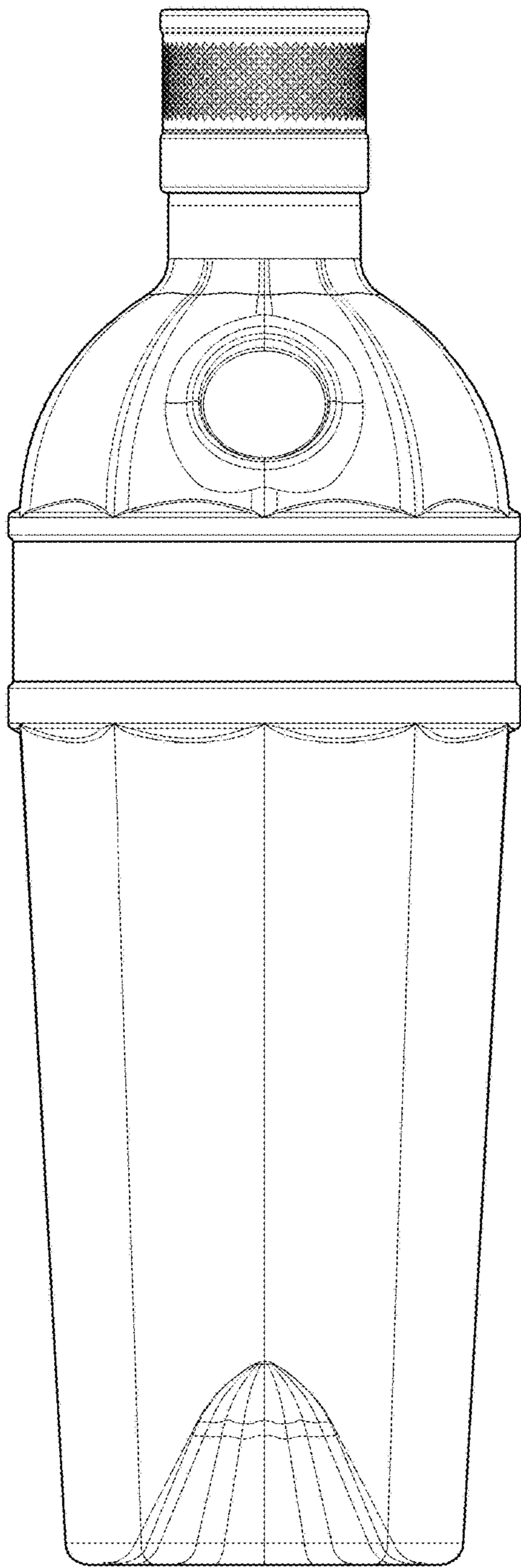


FIG. 2

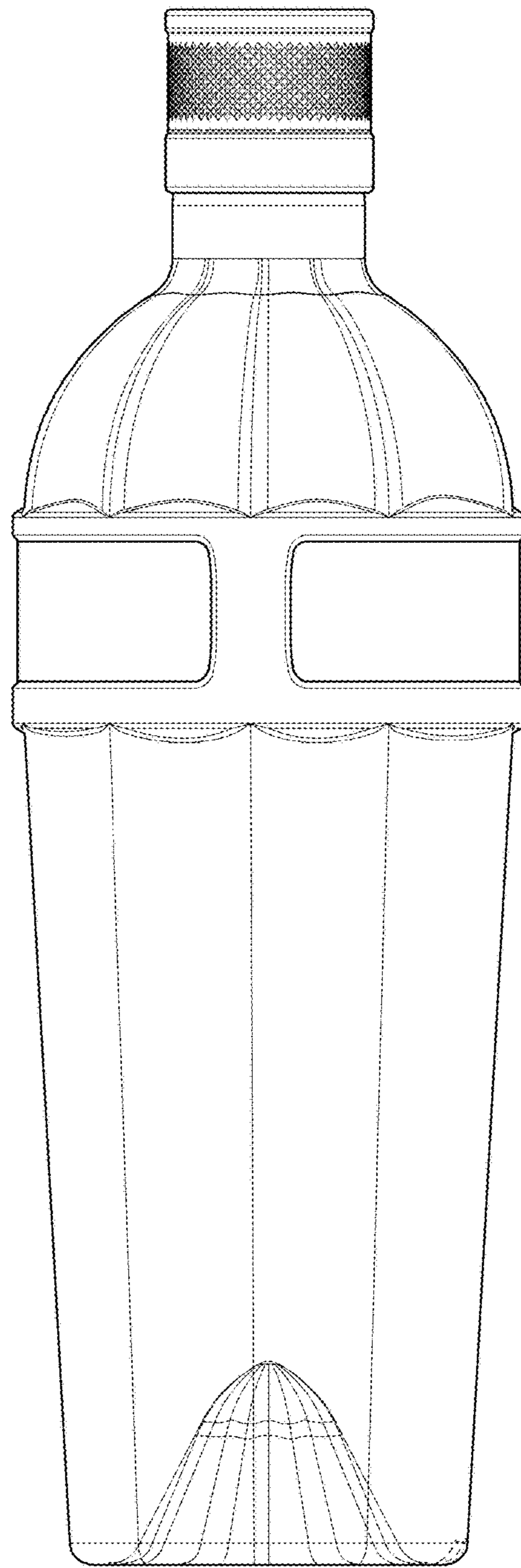


FIG. 3

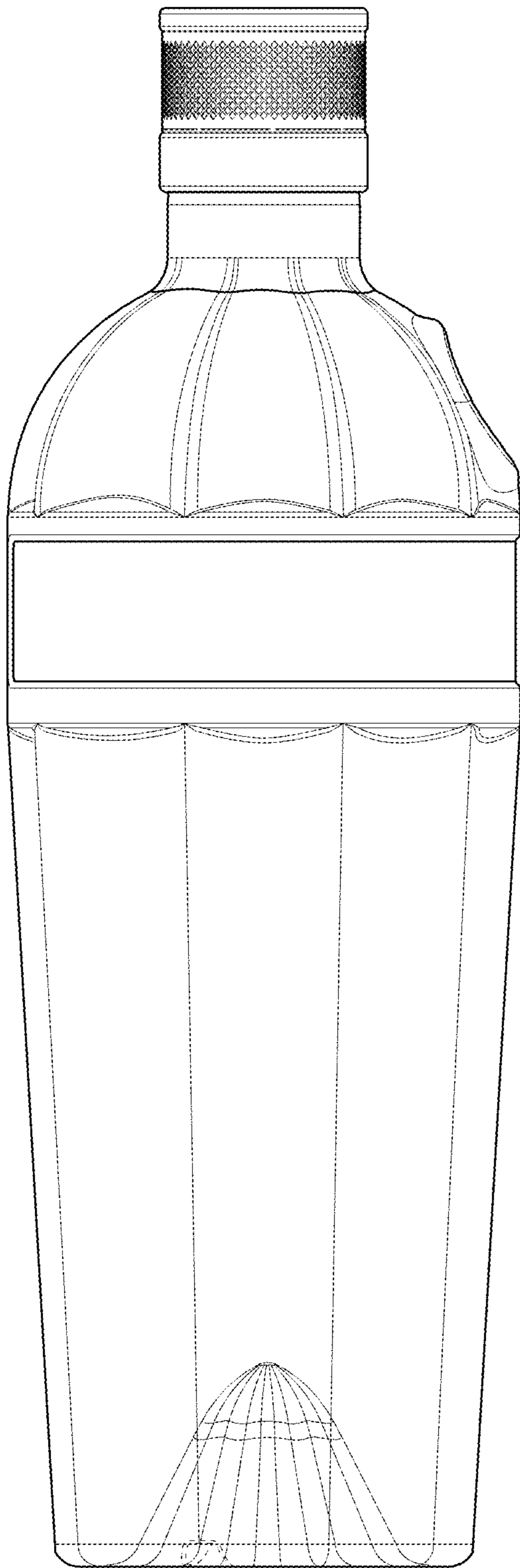


FIG. 4

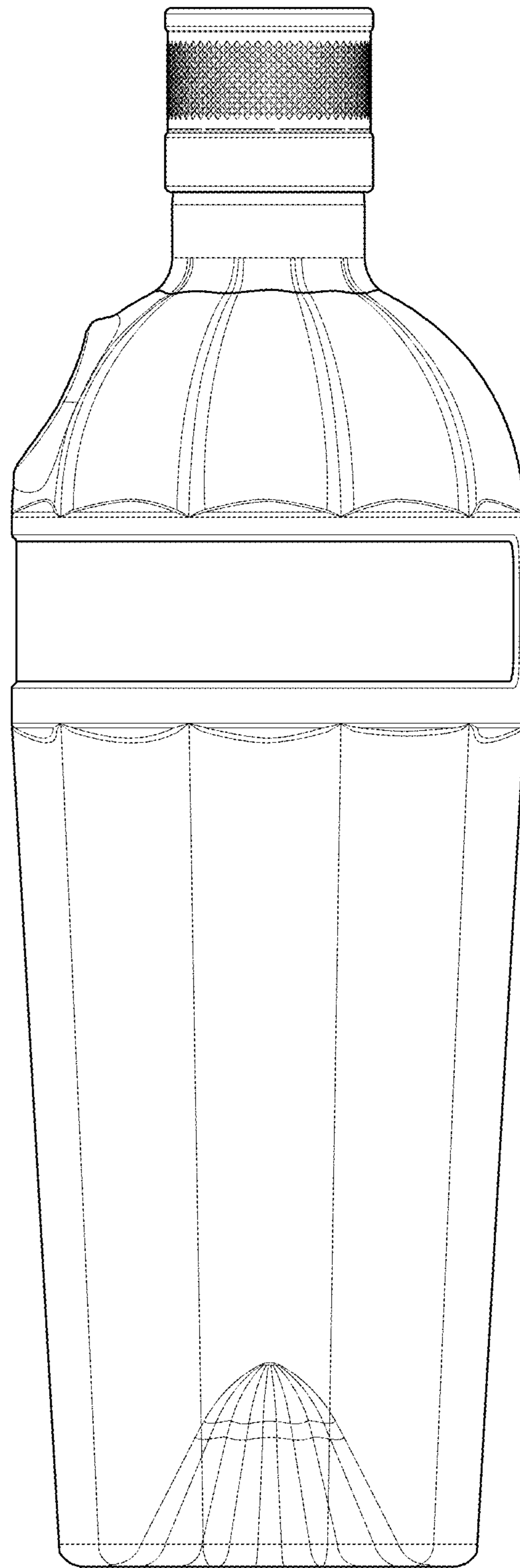


FIG. 5

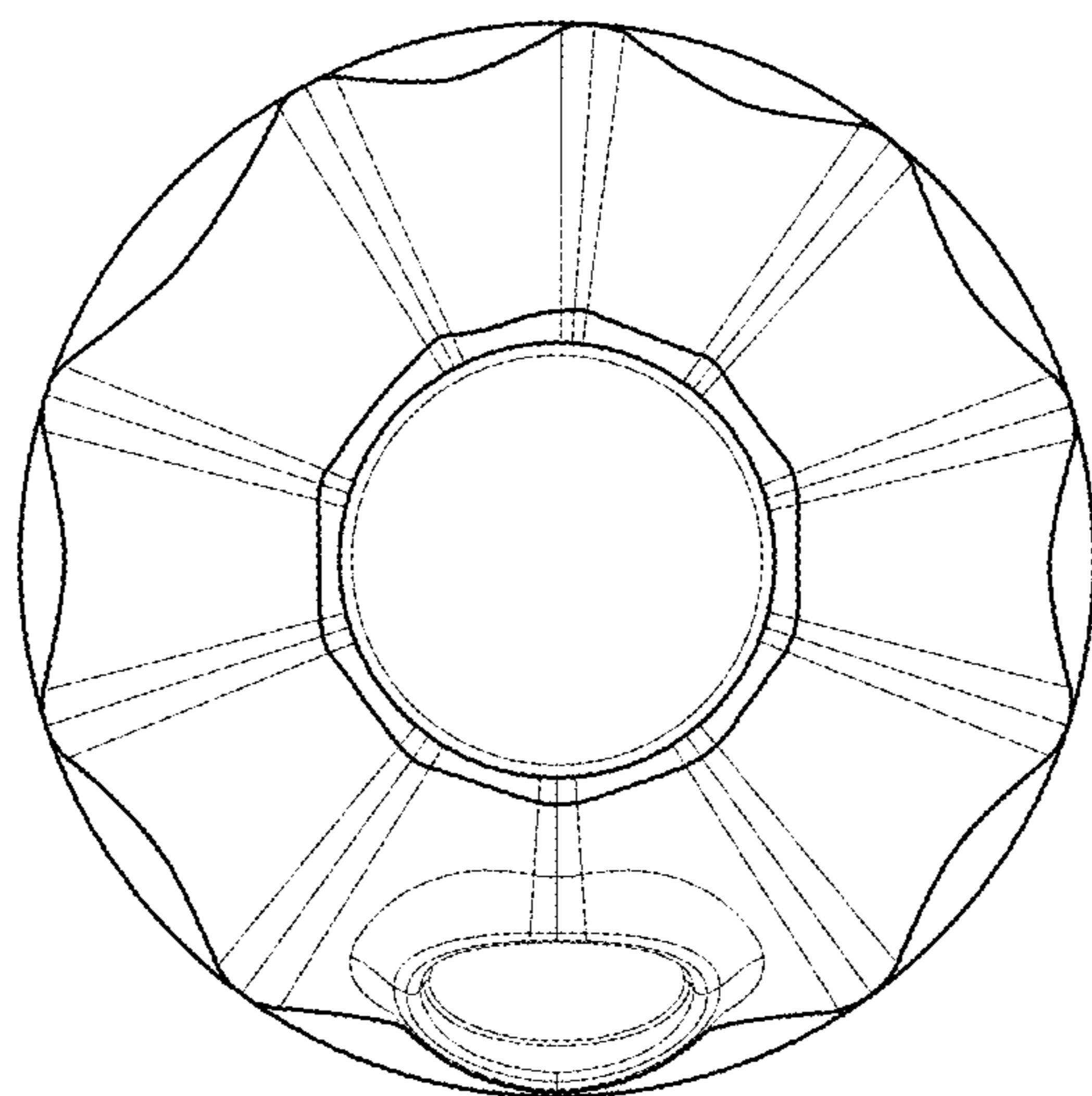


FIG. 6

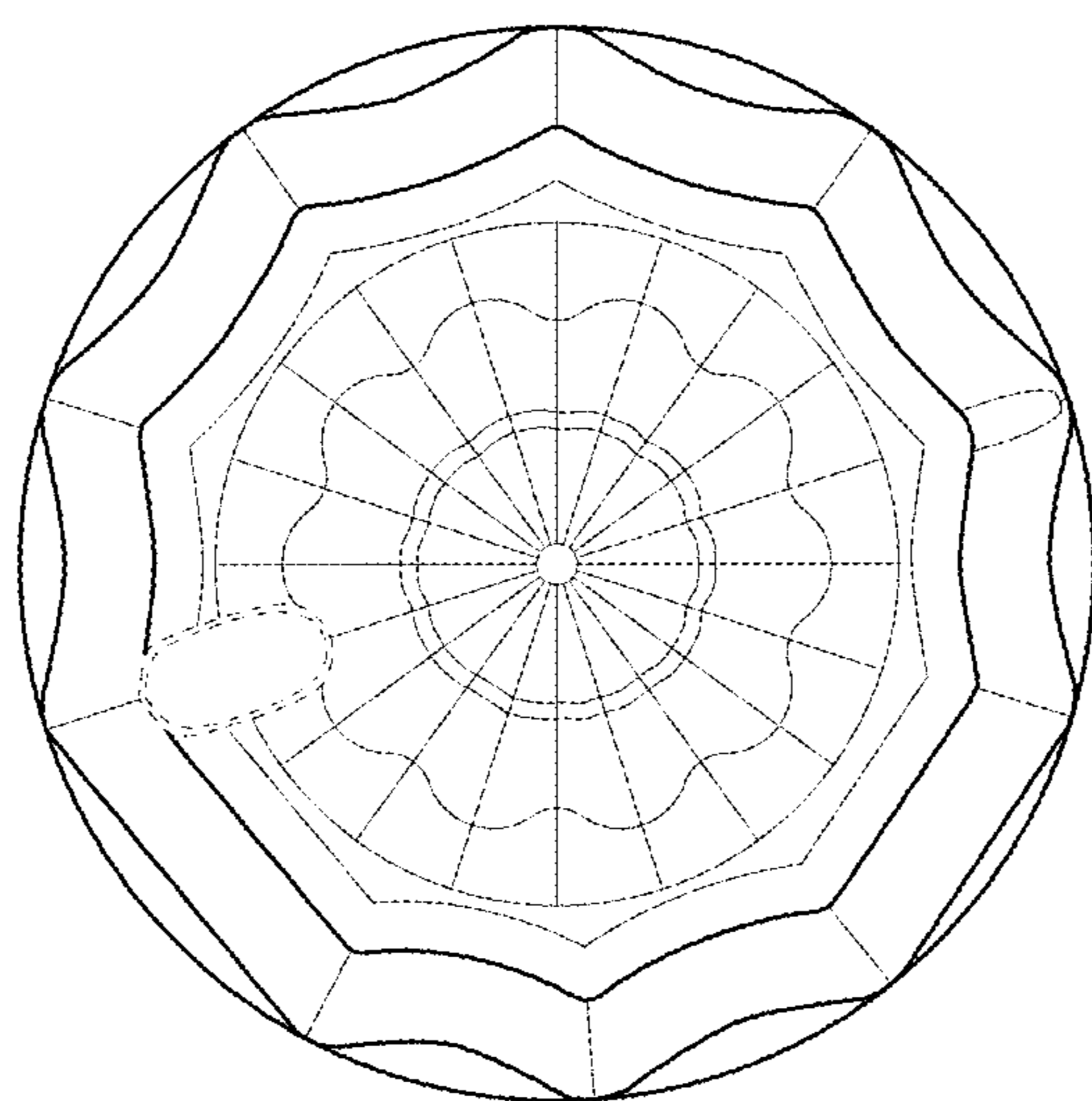


FIG. 7

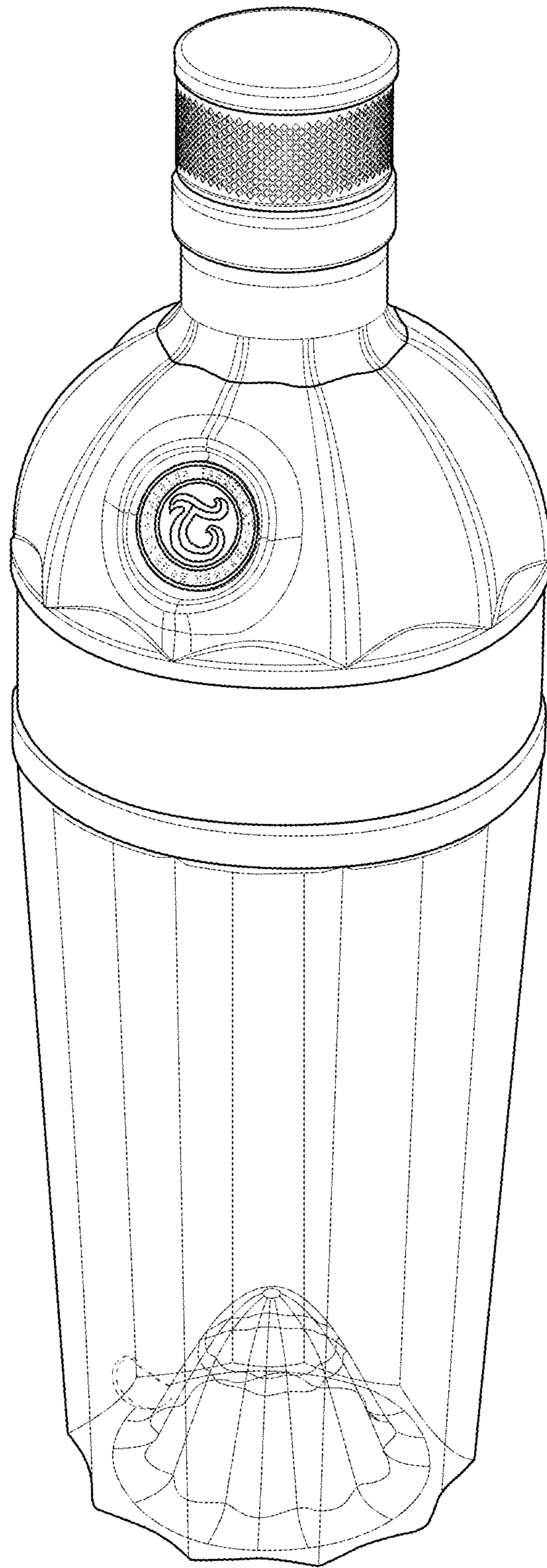


FIG. 8



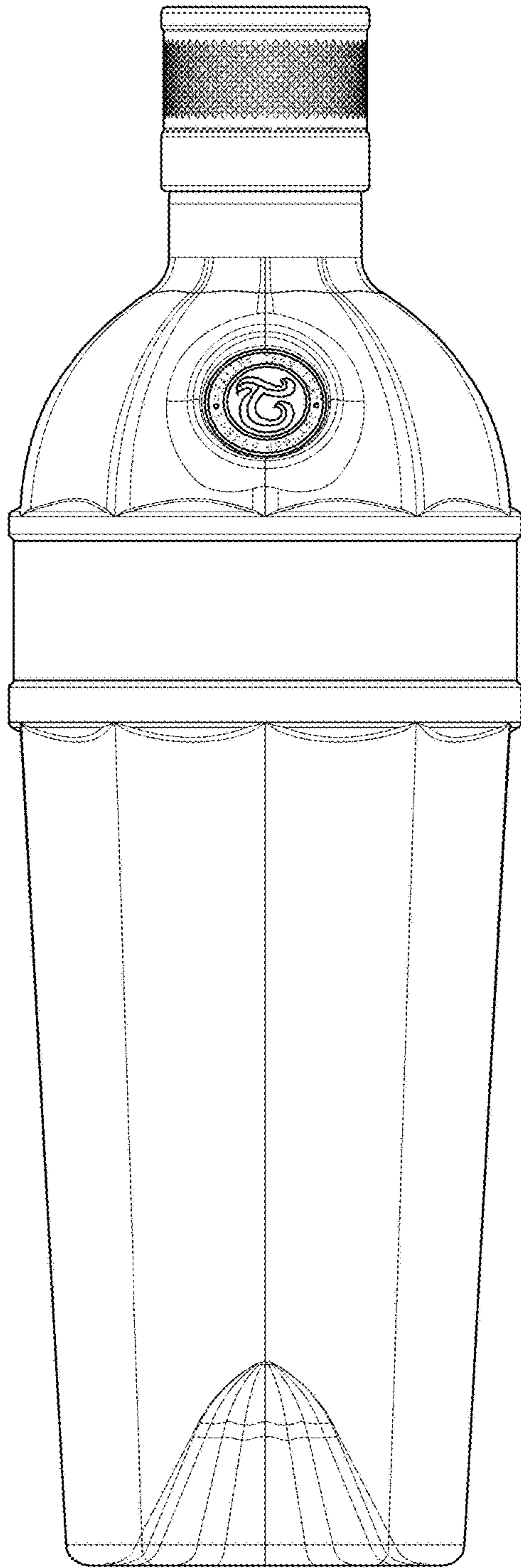


FIG. 9

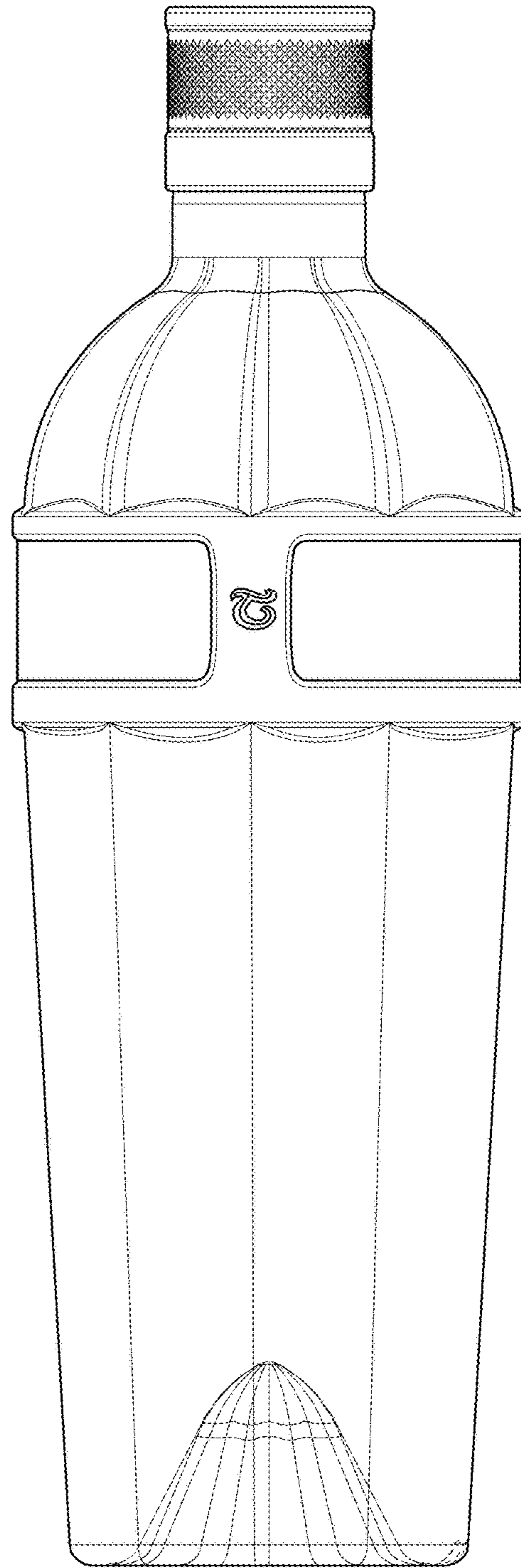


FIG. 10



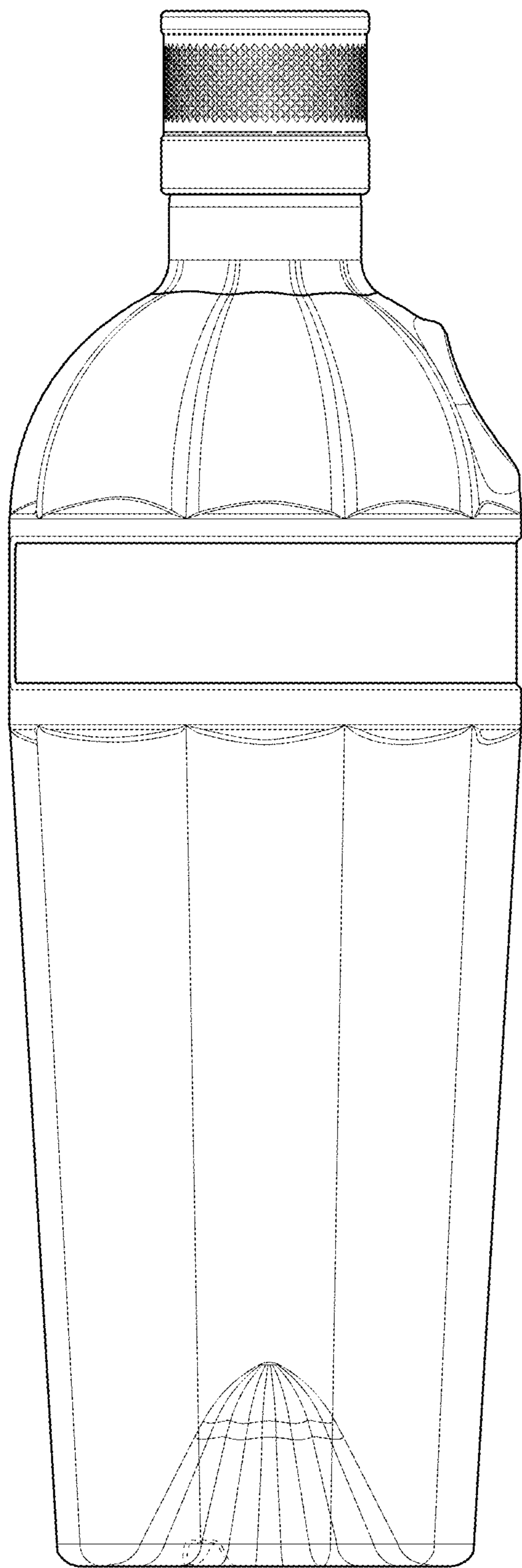


FIG. 11

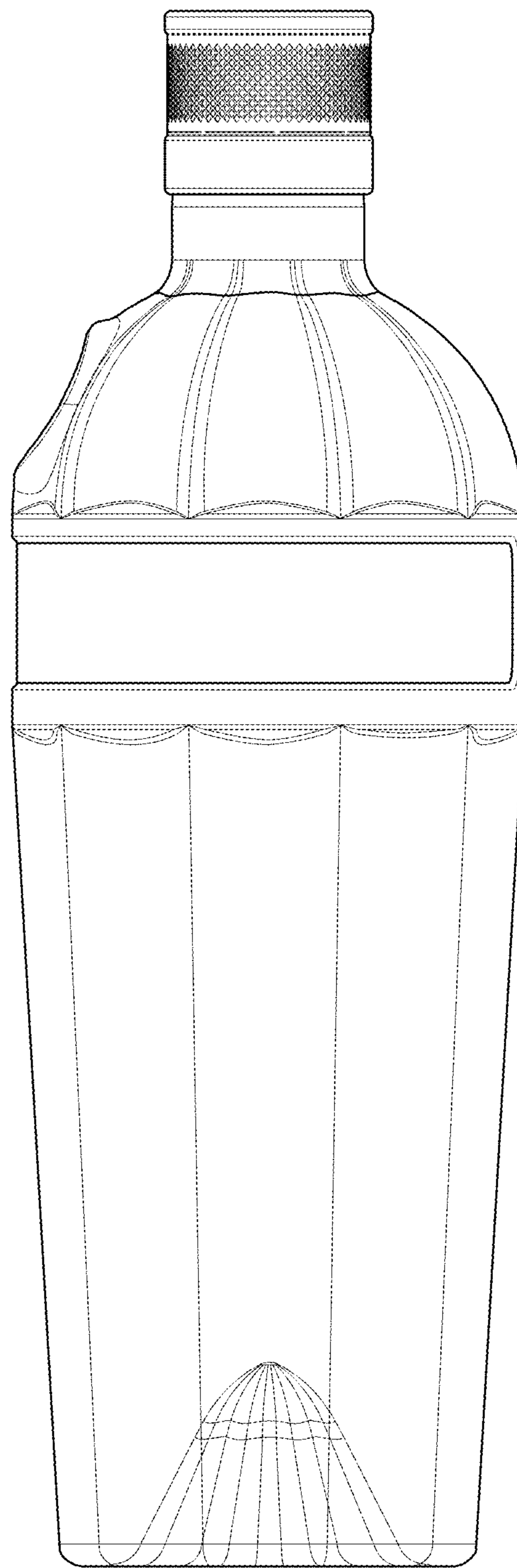


FIG. 12

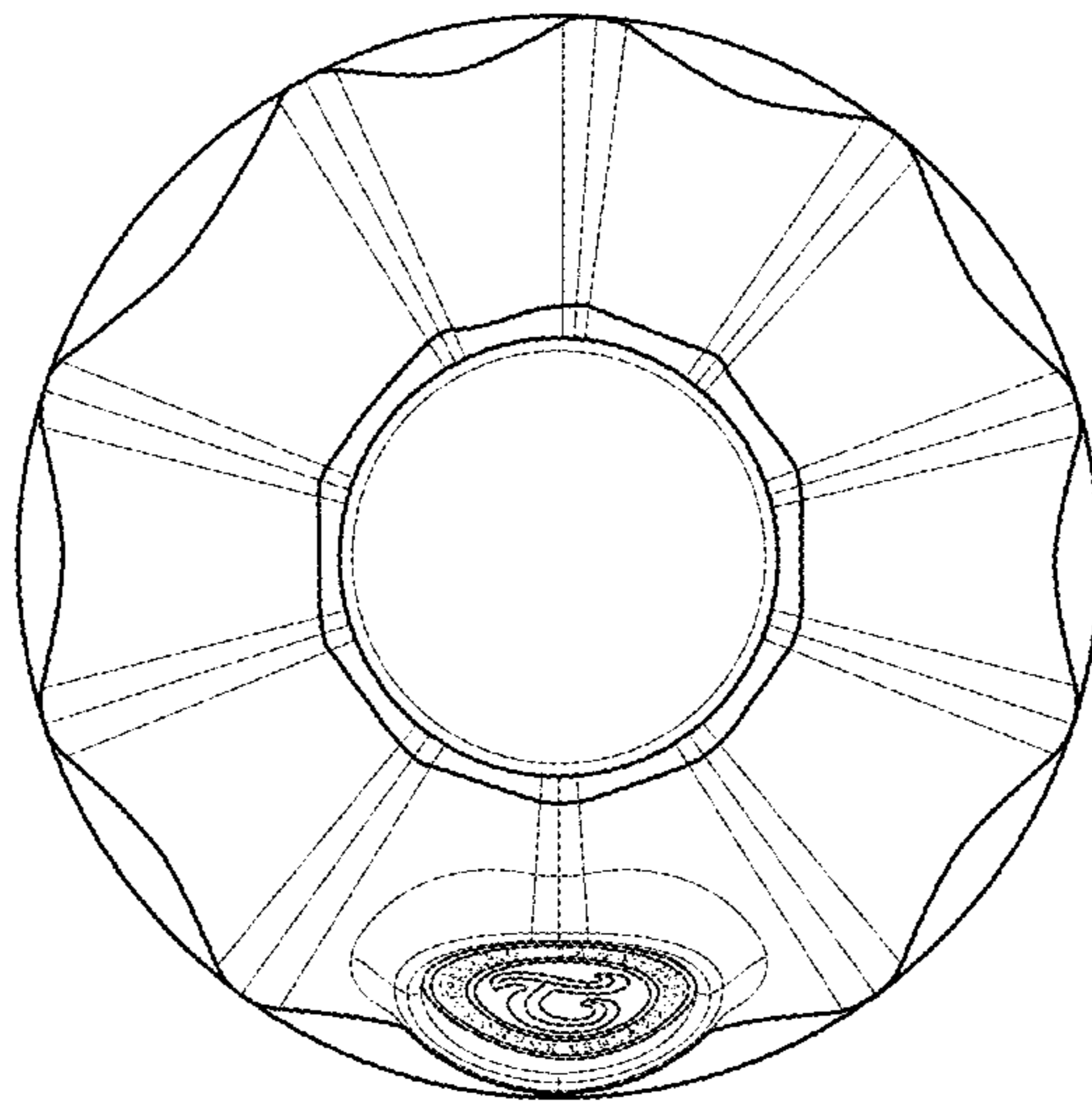


FIG. 13

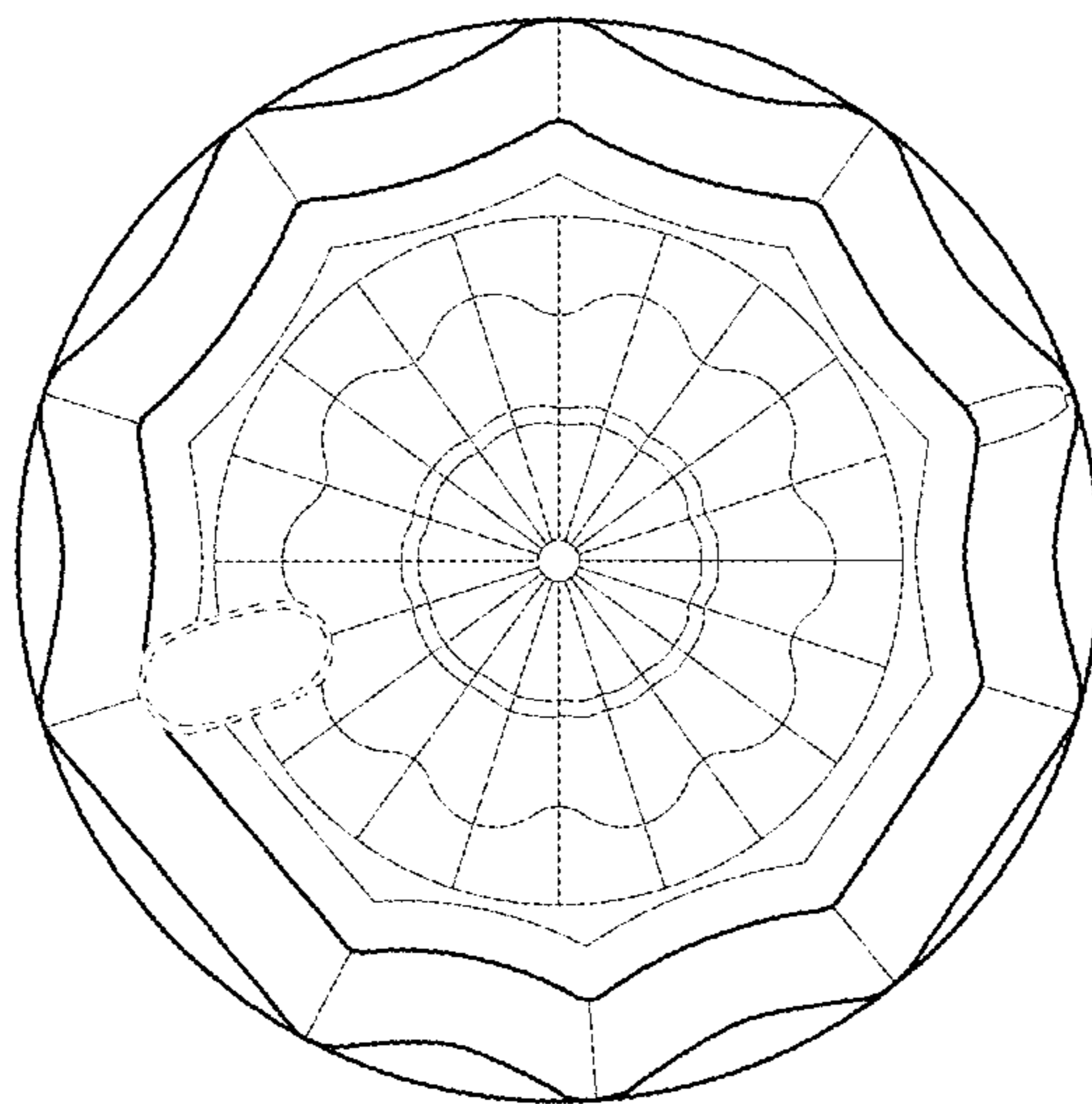


FIG. 14