



US00D786685S

(12) **United States Design Patent**  
**Steelman et al.**

(10) **Patent No.:** **US D786,685 S**

(45) **Date of Patent:** **\*\* May 16, 2017**

(54) **BOTTLE**

(71) Applicants: **Ray Steelman**, Fayetteville, TN (US);  
**Mike Wetherington**, Fayetteville, TN (US)

(72) Inventors: **Ray Steelman**, Fayetteville, TN (US);  
**Mike Wetherington**, Fayetteville, TN (US)

(73) Assignee: **Spirits of Tennessee, LLC**,  
Fayetteville, TN (US)

(\*\*) Term: **15 Years**

(21) Appl. No.: **29/536,801**

(22) Filed: **Aug. 19, 2015**

(51) **LOC (10) Cl.** ..... **09-01**

(52) **U.S. Cl.**  
USPC ..... **D9/531; D9/454; D9/563; D9/575**

(58) **Field of Classification Search**  
USPC ..... D9/434, 435, 447, 454, 516, 520, 522,  
D9/523, 528, 530, 531, 541-546, 549,  
D9/560, 563, 565-569, 575, 715, 719;  
D7/300, 598  
CPC ..... B65D 81/00; B65D 1/02; B65D 1/0207;  
B65D 1/0223; B65D 1/0284; B65D  
2501/0027

See application file for complete search history.

(56) **References Cited**

**U.S. PATENT DOCUMENTS**

D220,867 S *	6/1971	Wright	.....	D9/522
D235,971 S *	7/1975	Visola	.....	D9/500
D241,225 S *	8/1976	McCurdy	.....	D9/536
D306,970 S *	4/1990	Bauer-Secundus	.....	D9/536
D403,968 S	1/1999	Devore		
D431,192 S *	9/2000	Ogg	.....	D9/531
D434,329 S	11/2000	Vultaggio		

7,228,982 B2	6/2007	Nielson		
D556,043 S *	11/2007	Rabie	.....	D7/302
D594,750 S *	6/2009	Westphal	.....	D9/443
D643,300 S	8/2011	Beckerman		
D673,050 S	12/2012	Pennington, IV		
D676,328 S *	2/2013	Yourist	.....	D9/531
D699,118 S *	2/2014	Yourist	.....	D9/531
D699,584 S *	2/2014	Hall	.....	D9/531
D727,737 S	4/2015	Damashek		
D729,578 S	5/2015	He		
D740,123 S *	10/2015	Tremblay	.....	D9/536

(Continued)

*Primary Examiner* — Ian Simmons

*Assistant Examiner* — Keith Frank

(74) *Attorney, Agent, or Firm* — Bradley Arant Boult  
Cummings LLP; Phillip E. Walker; Timothy L. Capria

(57) **CLAIM**

What is claimed is the ornamental design for a bottle, as shown and described.

**DESCRIPTION**

FIG. 1 is a front perspective view showing the bottle of Applicant's invention.

FIG. 2 is a bottom perspective view showing the bottle of Applicant's invention.

FIG. 3 is a top view of the bottle of Applicant's invention.

FIG. 4 is a side elevation of the bottle of Applicant's invention.

FIG. 5 is a front elevation view of the bottle of Applicant's invention.

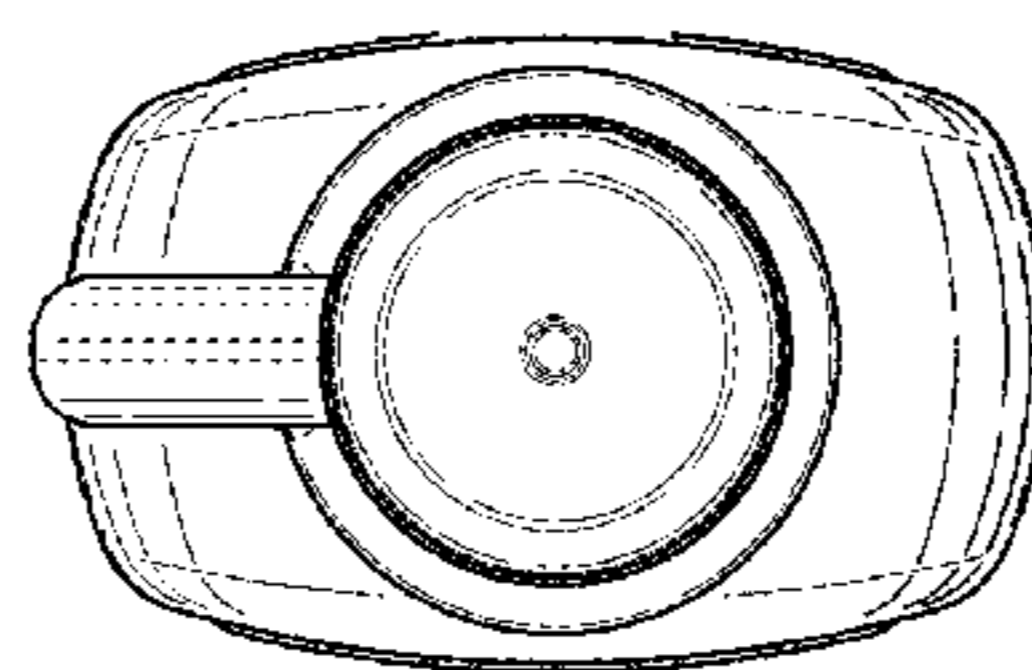
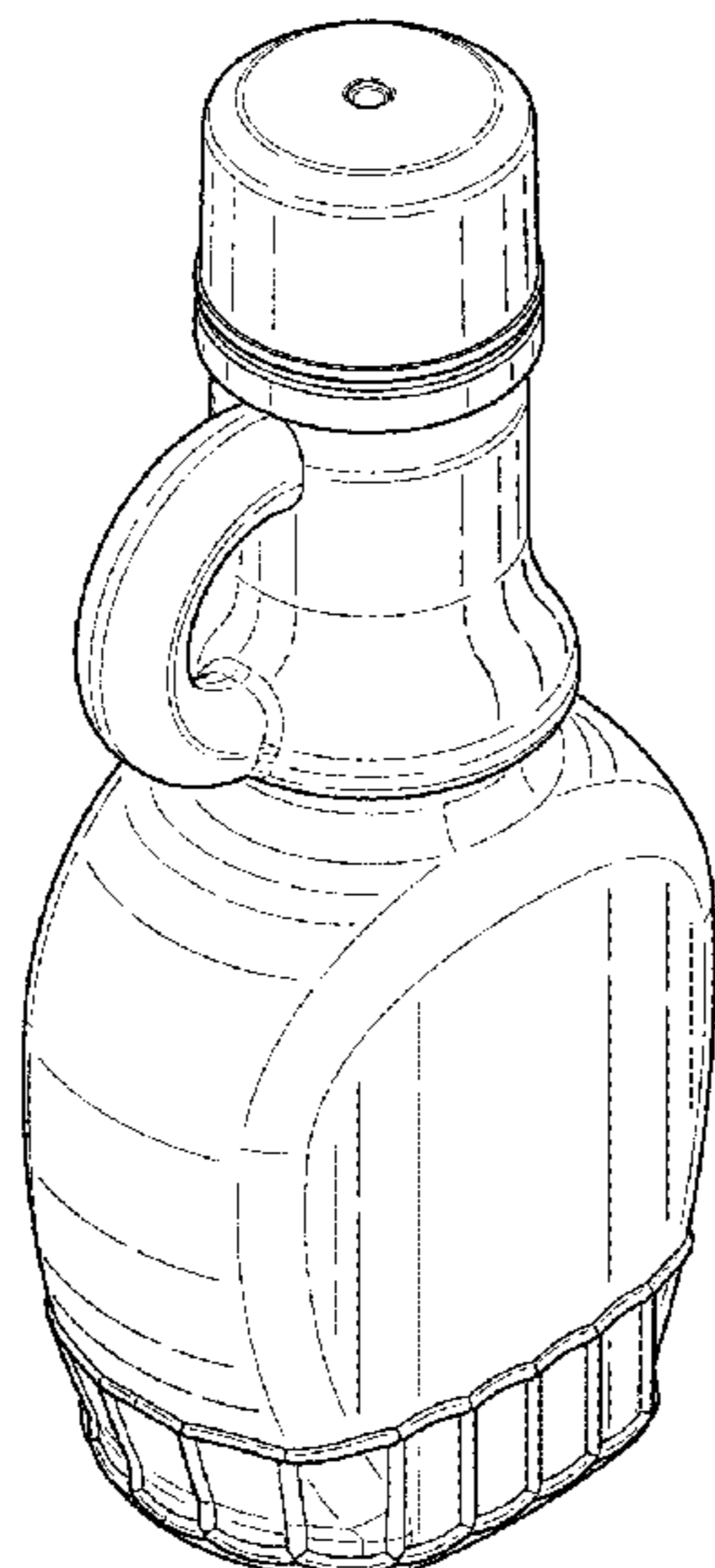
FIG. 6 is a side elevation of the bottle of Applicant's invention.

FIG. 7 is a bottom view of the bottle of Applicant's invention; and,

FIG. 8 is a back elevation view of the bottle of Applicant's invention.

The broken lines in the drawings illustrate the portions of the bottle that form no part of the claimed design.

**1 Claim, 3 Drawing Sheets**



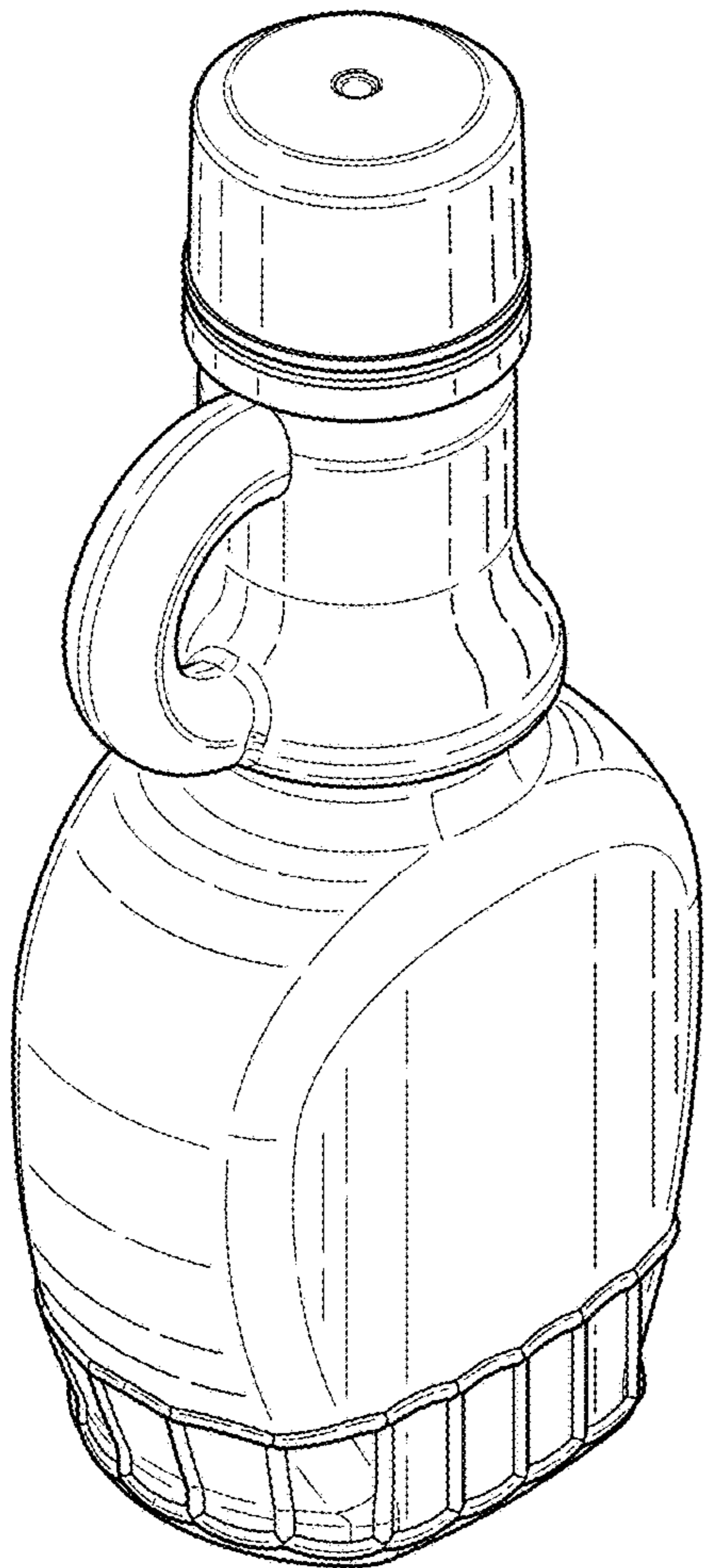
(56)

**References Cited**

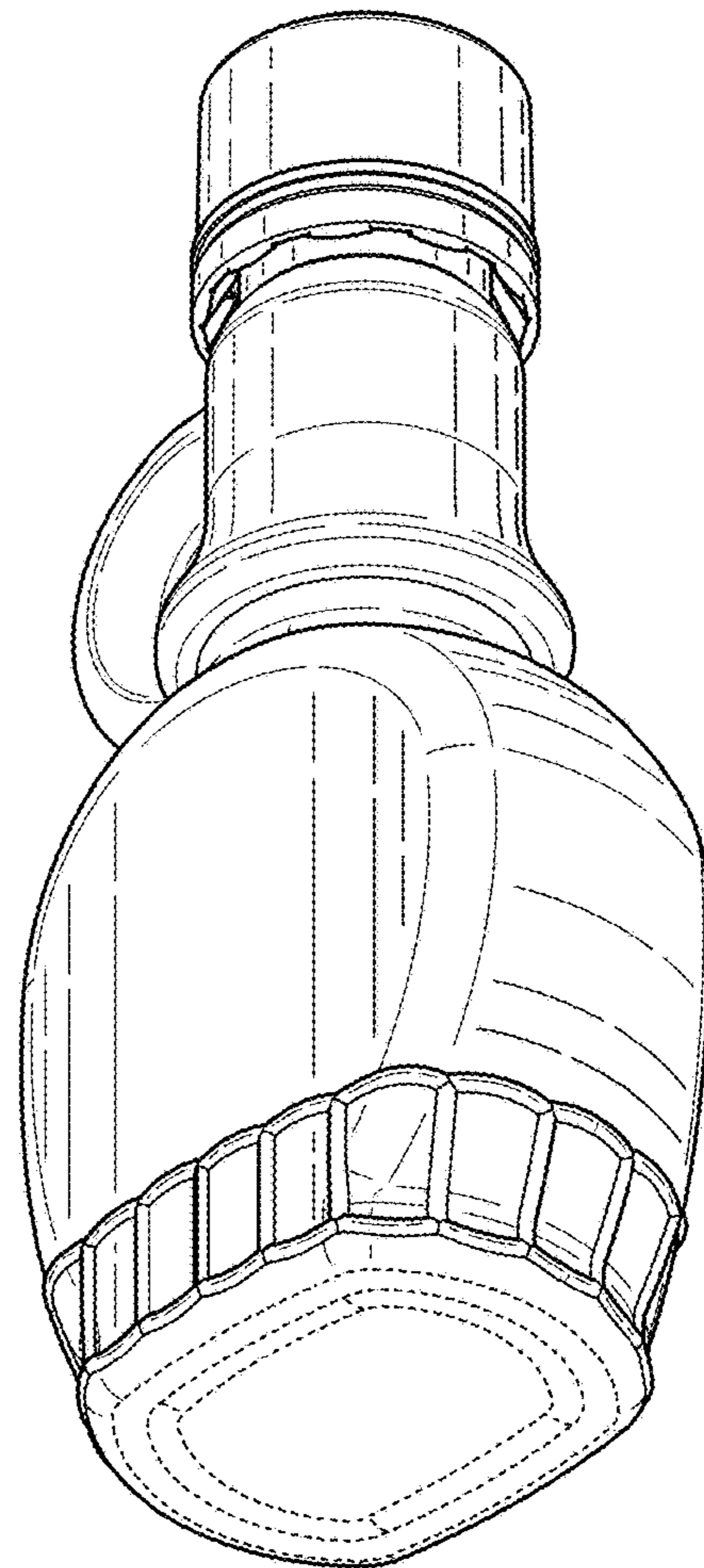
U.S. PATENT DOCUMENTS

D740,614 S \* 10/2015 Rigsbee ..... D7/300  
2006/0124579 A1 \* 6/2006 Nielson ..... B65D 23/104  
215/396

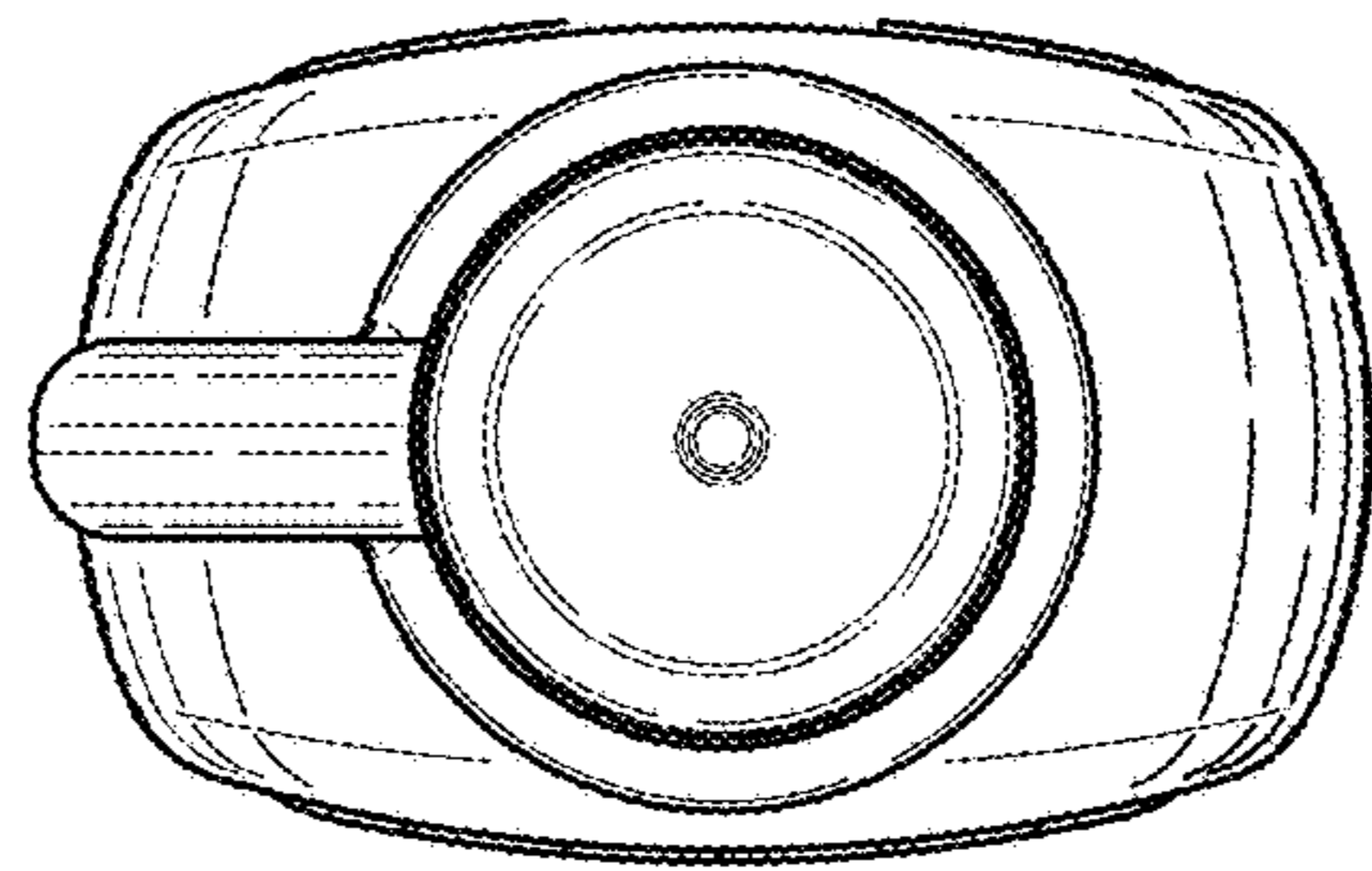
\* cited by examiner



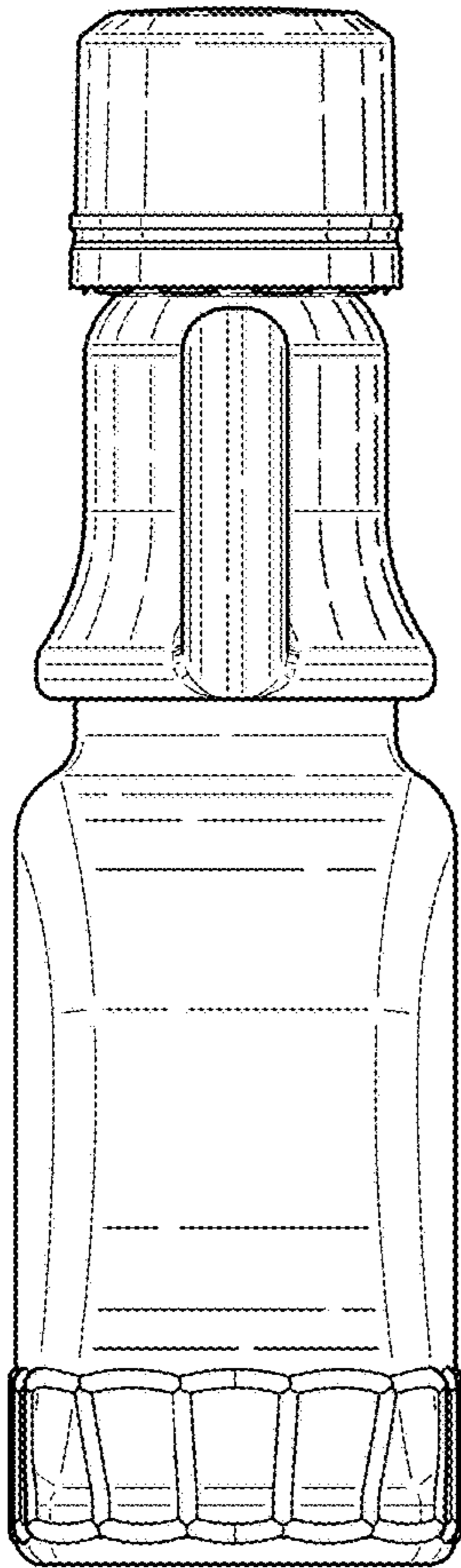
*FIG. 1*



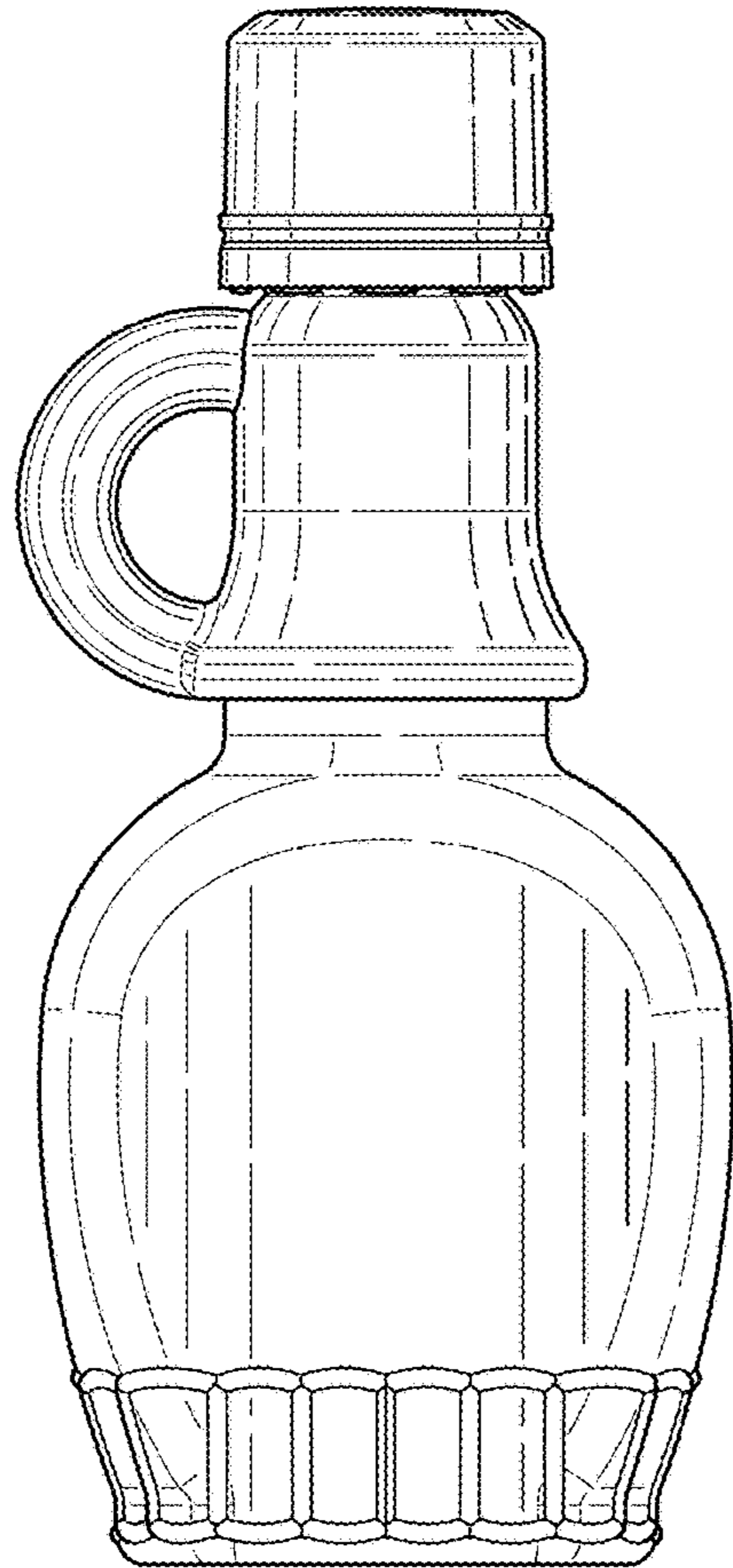
*FIG. 2*



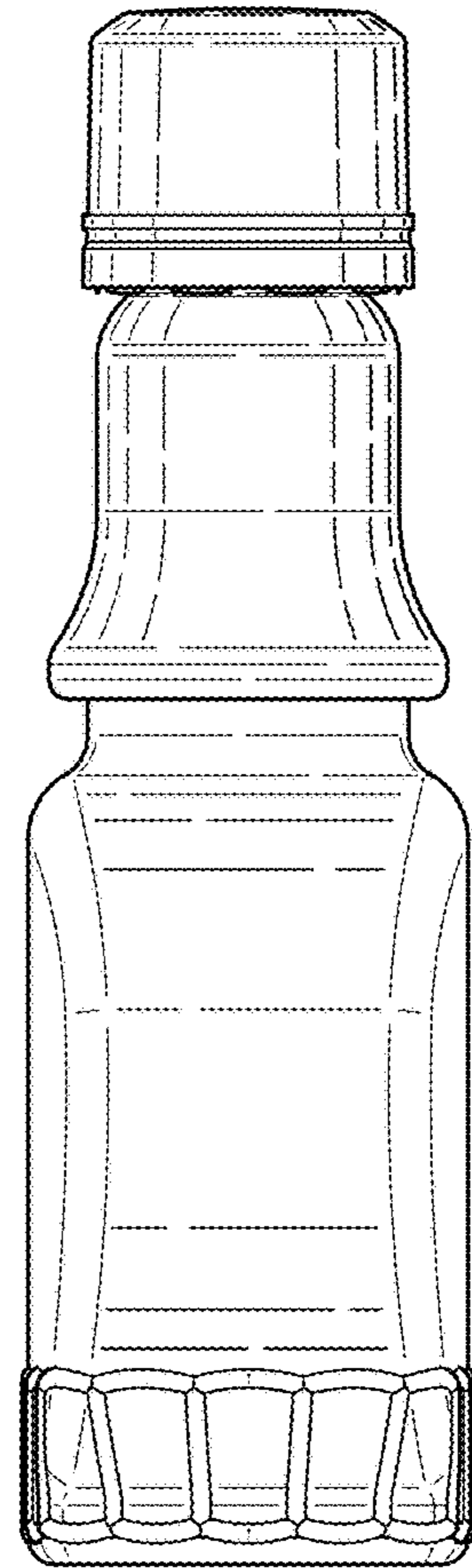
*FIG. 3*



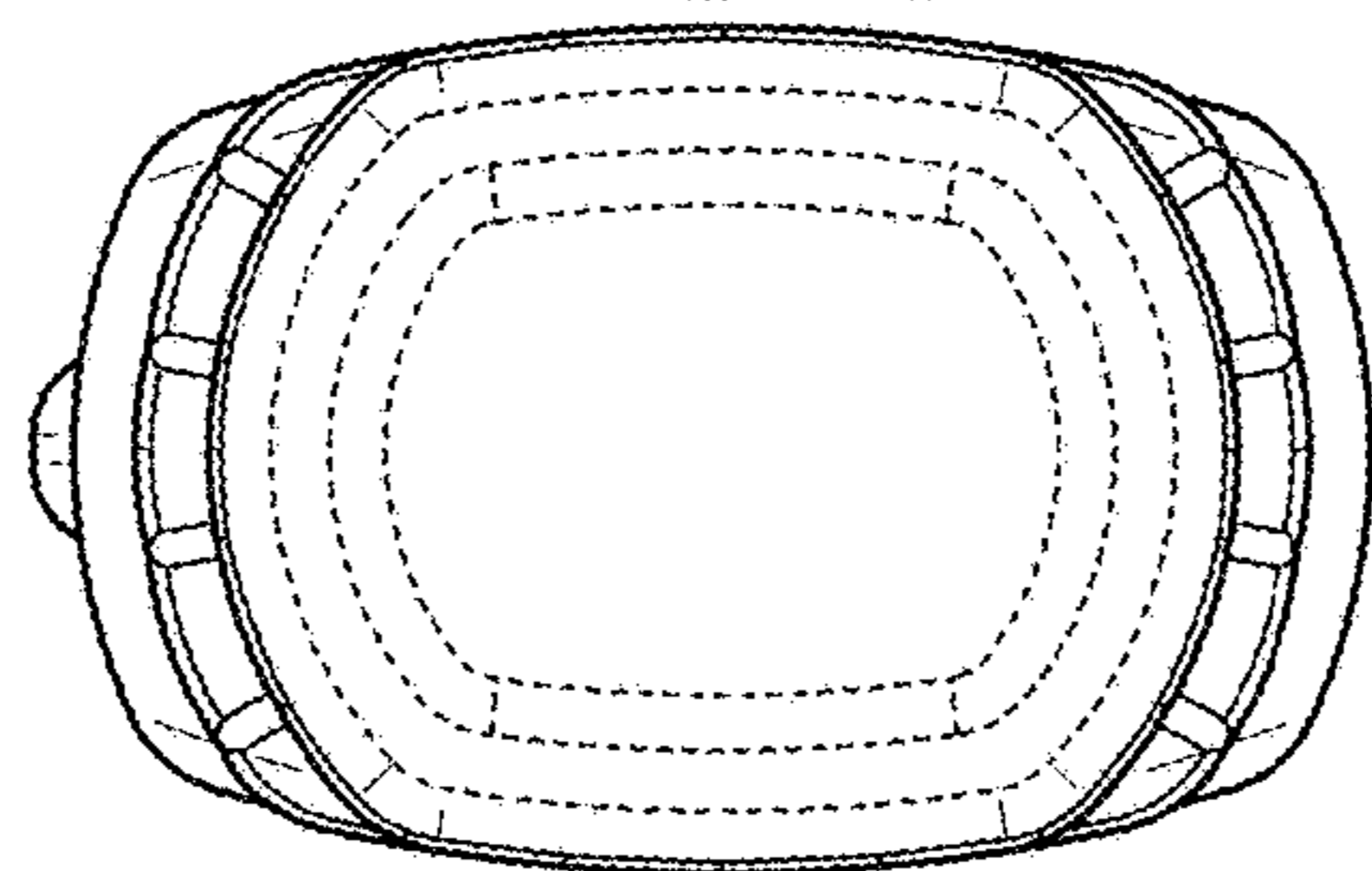
*FIG. 4*



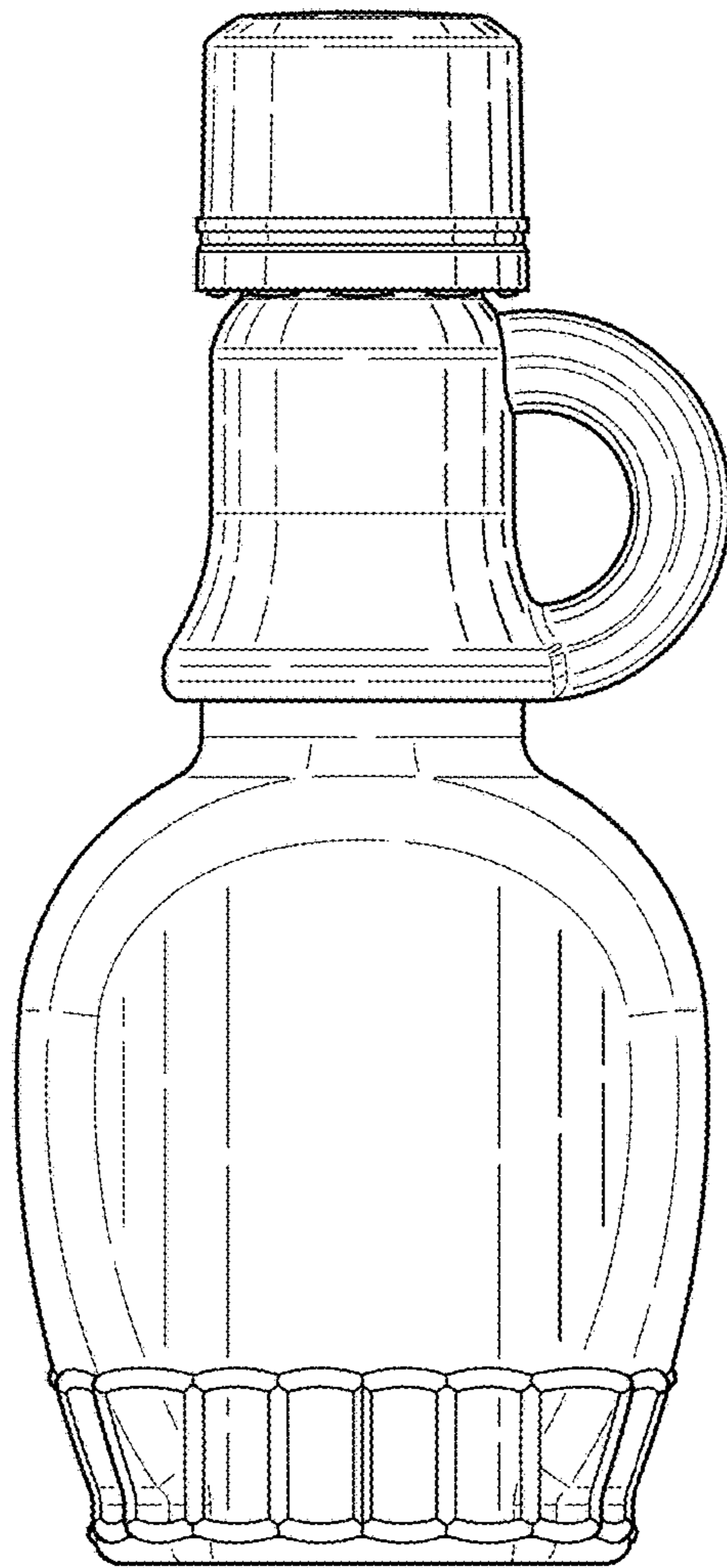
*FIG. 5*



*FIG. 6*



*FIG. 7*



*FIG. 8*