



US00D786683S

(12) **United States Design Patent**
Miller et al.

(10) **Patent No.:** **US D786,683 S**

(45) **Date of Patent:** **** May 16, 2017**

(54) **BOTTLE WITH CAP**

CPC B65D 1/02; B65D 1/0207; B65D 1/0223;
B65D 1/14; B65D 2501/0081

See application file for complete search history.

(71) Applicants: **Michael David Miller**, Twexsbury, MA
(US); **Jacquelyn Hui-Yan Wan**,
Manchester, NH (US); **Bennett P.**
Daley, Somerville, MA (US); **Peter**
Rezac, Sterling, MA (US); **Timothy**
Bernard Coker, Nashua, NH (US);
Ryan Neil Peter Hall, Clinton, MA
(US); **Timothy Andrew Vanderpoel**,
Hudson, MA (US)

(56) **References Cited**

U.S. PATENT DOCUMENTS

4,056,209	A	11/1977	Winkler et al.	
4,093,103	A	6/1978	Mumford	
4,098,430	A	7/1978	Mattheis et al.	
4,133,449	A	1/1979	Ostrowsky	
4,412,625	A	11/1983	Zander	
4,420,083	A	12/1983	Baustin	
4,494,665	A	1/1985	Lehmann	
4,564,124	A	1/1986	Burton	
5,193,032	A	3/1993	Hirth	
D360,134	S *	7/1995	Snyder	D9/438
5,437,382	A	8/1995	Gluckman	
5,484,089	A	1/1996	Picerno	
5,752,615	A	5/1998	Hofmann et al.	
5,816,441	A	10/1998	Farside	
D442,868	S *	5/2001	Gavin	D9/570
D456,272	S *	4/2002	Sadeghi	D9/560
6,478,155	B2	11/2002	Bunyan	

(Continued)

Primary Examiner — Ian Simmons

Assistant Examiner — Keith Frank

(72) Inventors: **Michael David Miller**, Twexsbury, MA
(US); **Jacquelyn Hui-Yan Wan**,
Manchester, NH (US); **Bennett P.**
Daley, Somerville, MA (US); **Peter**
Rezac, Sterling, MA (US); **Timothy**
Bernard Coker, Nashua, NH (US);
Ryan Neil Peter Hall, Clinton, MA
(US); **Timothy Andrew Vanderpoel**,
Hudson, MA (US)

(73) Assignee: **CVS PHARMACY, INC.**, Woonsocket,
RI (US)

(**) Term: **15 Years**

(21) Appl. No.: **29/537,967**

(22) Filed: **Aug. 31, 2015**

(51) **LOC (10) Cl.** **09-01**

(52) **U.S. Cl.**

USPC **D9/529; D9/560; D9/575**

(58) **Field of Classification Search**

USPC D9/516, 530, 541, 543, 544, 546, 559,
D9/560, 563, 572, 575, 715, 719, 770,
D9/434, 435, 436, 438, 440, 445, 453;
D7/300, 601, 602, 605, 619.1

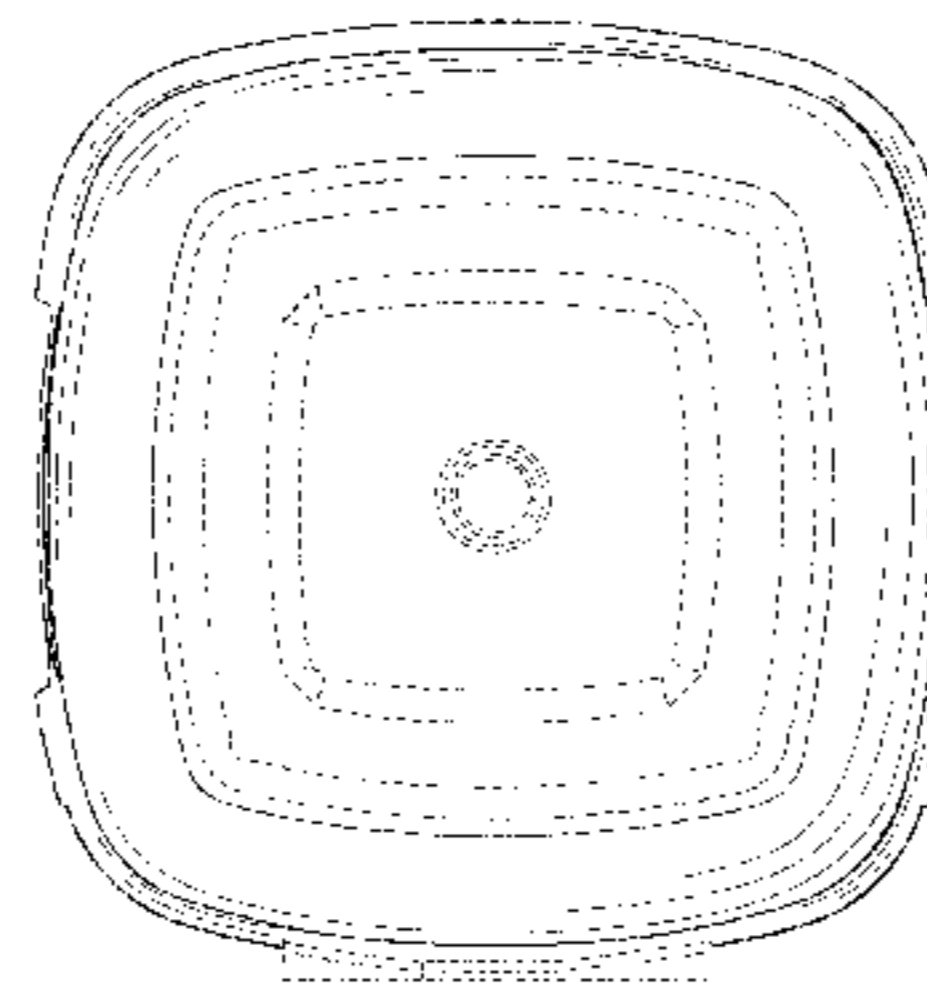
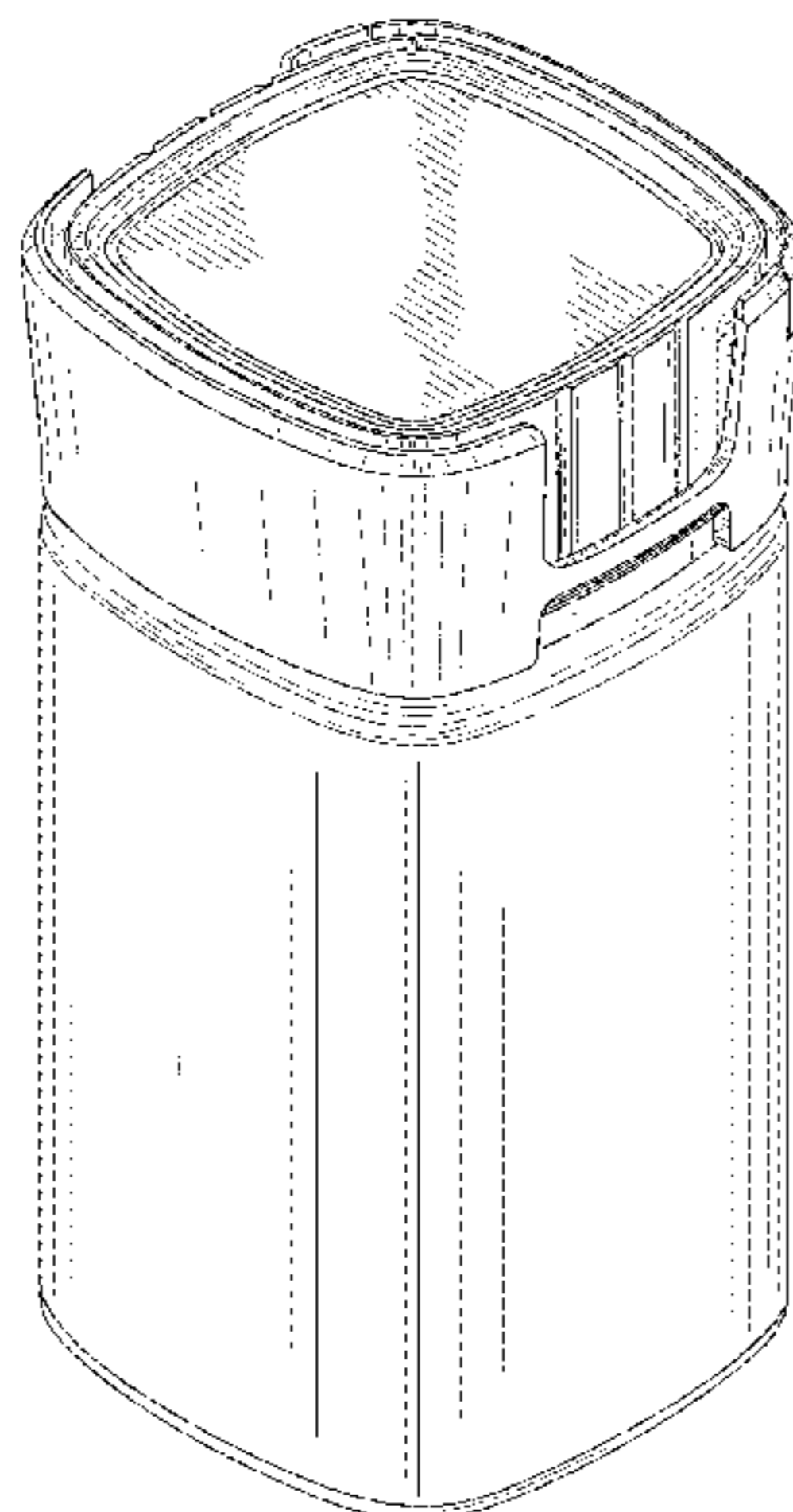
(57) **CLAIM**

The ornamental design for a bottle with cap, substantially as
shown and described.

DESCRIPTION

FIG. 1 is an isometric view of a bottle with cap showing our
new design;
FIG. 2 is a front end view of the design of FIG. 1;
FIG. 3 is a rear end view of the design of FIG. 1;
FIG. 4 is a first side view of the design of FIG. 1;
FIG. 5 is a second side view of the design of FIG. 1;
FIG. 6 is a top view of the design of FIG. 1; and,
FIG. 7 is a bottom view of the design of FIG. 1.

(Continued)



The evenly spaced dash-dash broken lines in the drawings illustrate the portions of the bottle with cap that form no part of the claimed design.

1 Claim, 6 Drawing Sheets

(56)

References Cited

U.S. PATENT DOCUMENTS

D481,640 S * 11/2003 Biesecker D9/560
 D490,707 S 6/2004 Mataya
 D512,830 S 12/2005 Higgins
 7,100,797 B2 9/2006 Kahn et al.
 D539,651 S * 4/2007 Snyder D9/449
 D540,179 S 4/2007 Adler et al.
 D540,690 S 4/2007 Adler et al.
 D542,661 S 5/2007 Adler et al.
 D552,468 S 10/2007 Seum et al.
 7,311,205 B2 12/2007 Adler et al.
 D572,593 S 7/2008 Adler et al.
 D574,717 S 8/2008 Adler et al.
 7,413,082 B2 8/2008 Adler et al.
 D581,275 S 11/2008 Adler et al.
 D583,242 S 12/2008 Adler et al.
 D594,336 S 6/2009 Adler
 D597,841 S 8/2009 Adler et al.
 D604,502 S 11/2009 Lee et al.
 D606,737 S 12/2009 Lee et al.
 7,628,427 B2 12/2009 Adler et al.
 D609,819 S 2/2010 Tomes et al.
 7,661,533 B2 2/2010 Adler et al.
 7,665,611 B2 2/2010 Koch
 D613,495 S 4/2010 Foreman
 7,735,684 B2 6/2010 Coe et al.
 D620,369 S * 7/2010 Servaire D9/435
 D622,591 S * 8/2010 Biesecker D9/435
 D623,765 S 9/2010 Tomes et al.
 7,878,350 B2 2/2011 Ramoundos
 D636,894 S 4/2011 Tomes et al.
 D637,428 S 5/2011 Yuyama et al.

7,942,451 B2 5/2011 Adler
 D639,669 S 6/2011 Adler et al.
 7,980,391 B2 7/2011 Adler et al.
 D642,789 S 8/2011 Cooper
 8,020,415 B2 9/2011 Corbin et al.
 8,025,314 B2 9/2011 Adler
 8,056,724 B2 11/2011 Estep
 D650,912 S 12/2011 Tomes et al.
 D664,350 S 7/2012 Corbin et al.
 8,281,929 B2 10/2012 Franks et al.
 8,322,567 B2 12/2012 Giraud
 D678,074 S * 3/2013 De France D9/435
 D684,354 S 6/2013 Boggeano
 D691,054 S * 10/2013 Olsson D9/435
 D698,250 S * 1/2014 Wade D9/435
 D698,251 S * 1/2014 Wade D9/435
 8,631,935 B2 1/2014 Tomes et al.
 8,665,584 B2 3/2014 Pence
 8,678,189 B2 3/2014 Niggel et al.
 8,689,978 B2 4/2014 Flood et al.
 8,727,122 B2 5/2014 Jacquet et al.
 8,746,452 B2 6/2014 Tomes et al.
 8,746,455 B2 6/2014 Chia et al.
 8,752,705 B2 6/2014 Adler et al.
 8,814,216 B2 8/2014 Estep
 8,875,940 B2 11/2014 Danchisin et al.
 D733,787 S * 7/2015 Baker D16/237
 D739,759 S * 9/2015 Warner D9/560
 D742,242 S * 11/2015 McDaniel D9/553
 D754,240 S * 4/2016 Samuels D16/219
 D756,234 S * 5/2016 Orset D9/560
 2004/0089581 A1 5/2004 Dienst
 2007/0170185 A1 7/2007 Hanssen et al.
 2009/0140513 A1 6/2009 Priebe et al.
 2009/0266736 A1 * 10/2009 Sprishen B29C 49/20
 206/459.5
 2010/0311026 A1 12/2010 Tomes et al.
 2011/0094990 A1 * 4/2011 Sprishen B65D 50/041
 215/217
 2012/0017790 A1 1/2012 Adler
 2013/0021878 A1 1/2013 Harris
 2013/0284636 A1 10/2013 Zhang

* cited by examiner

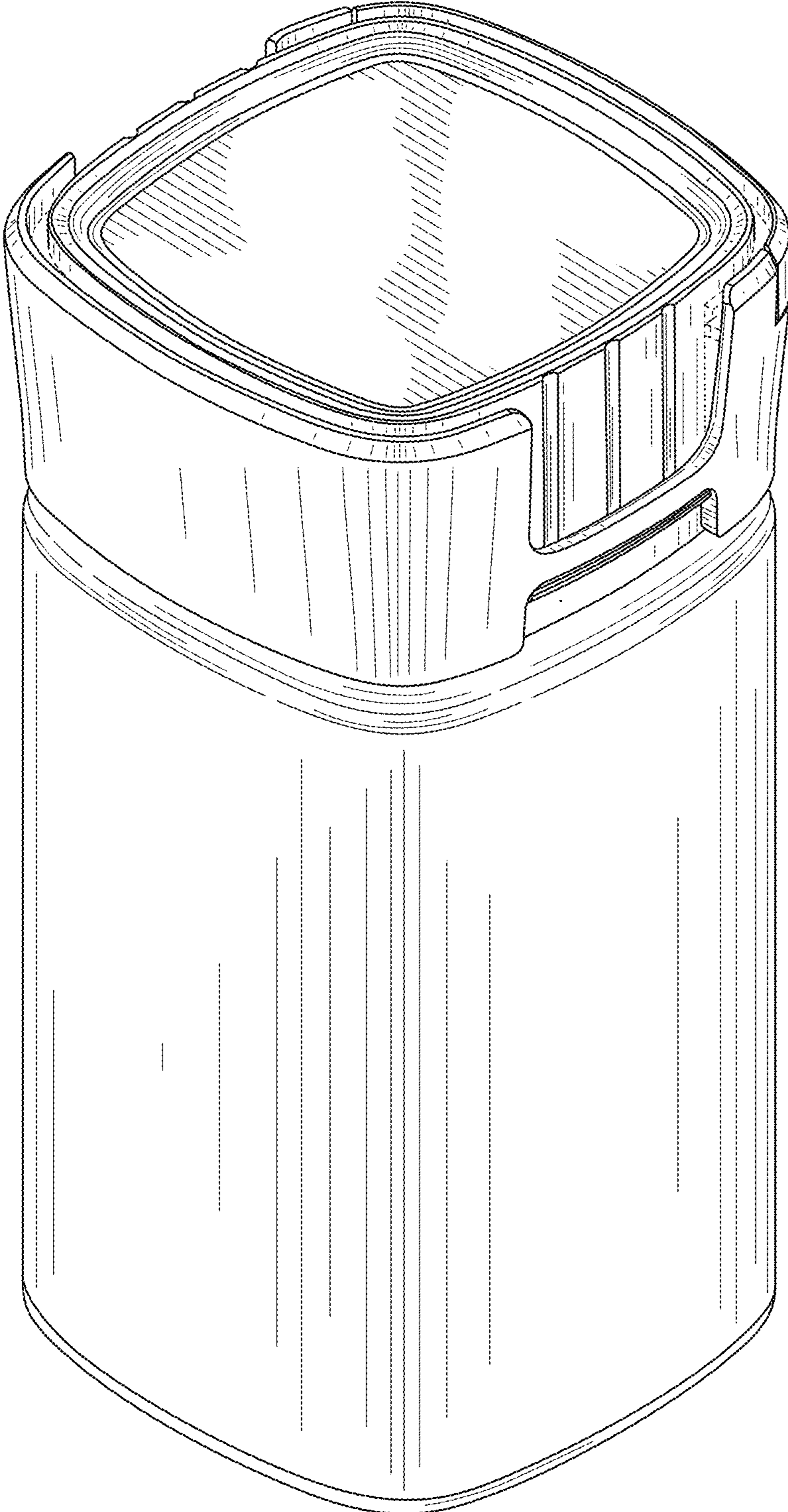


FIG. 1

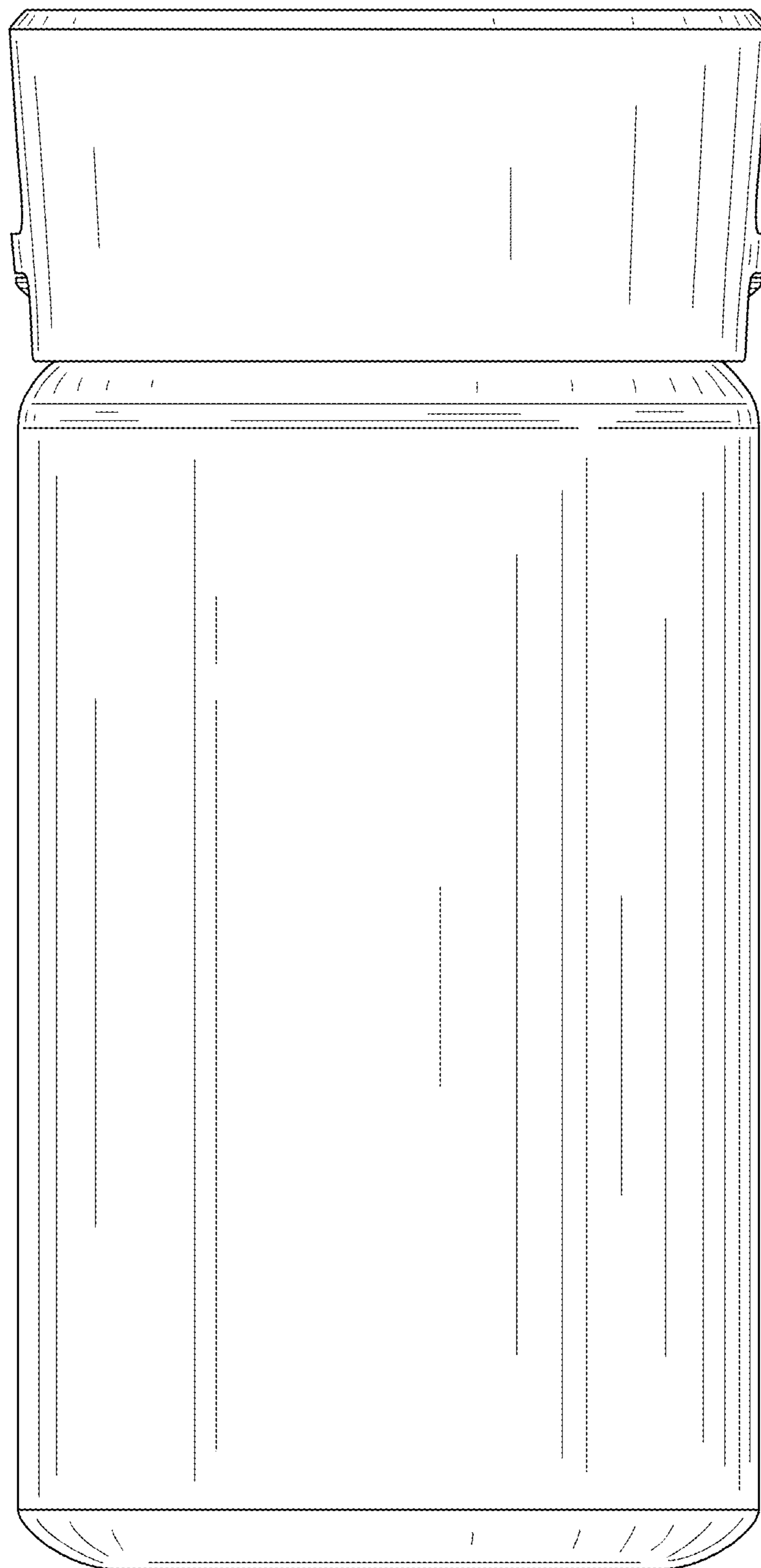


FIG. 2

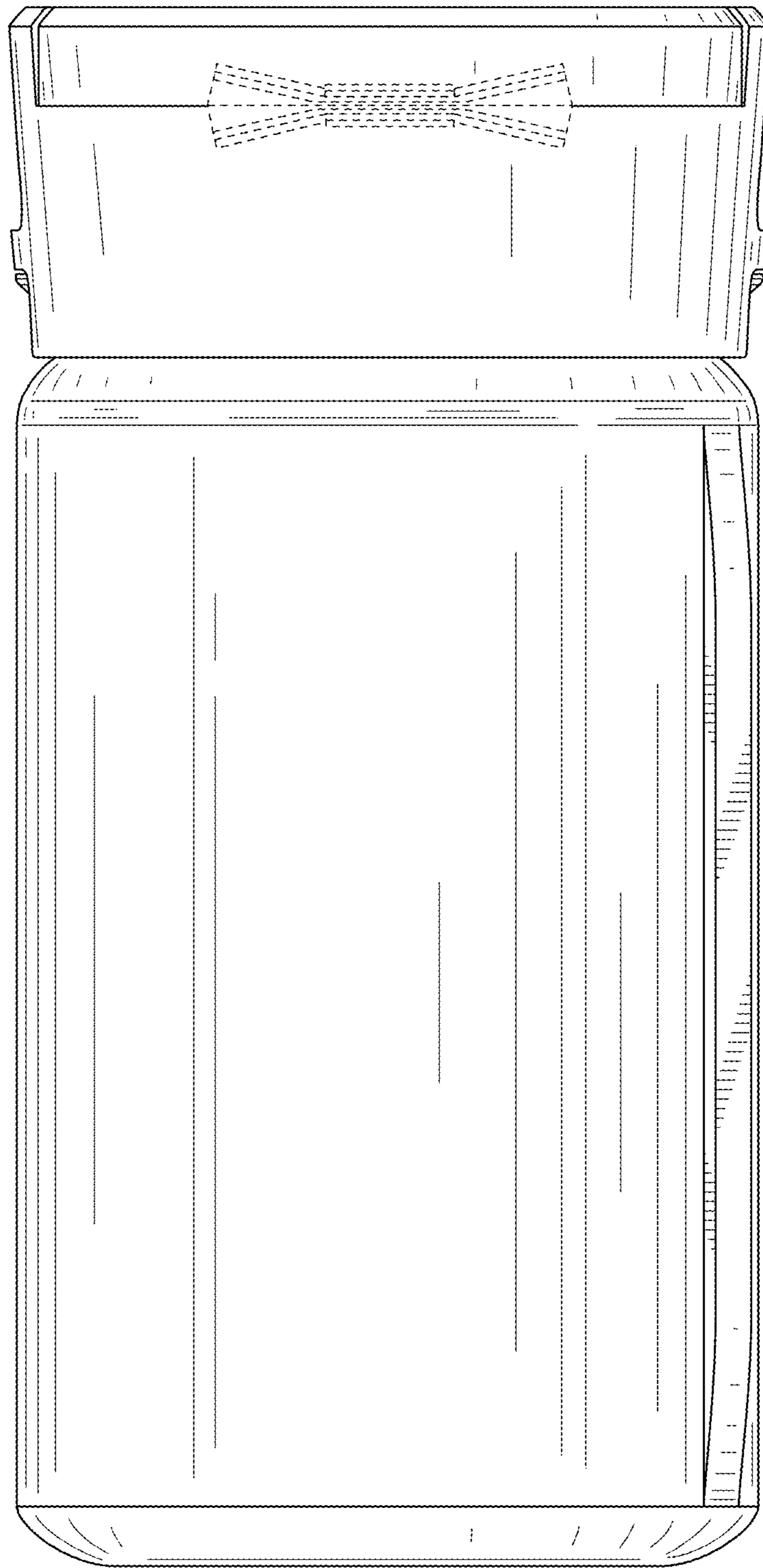


FIG. 3

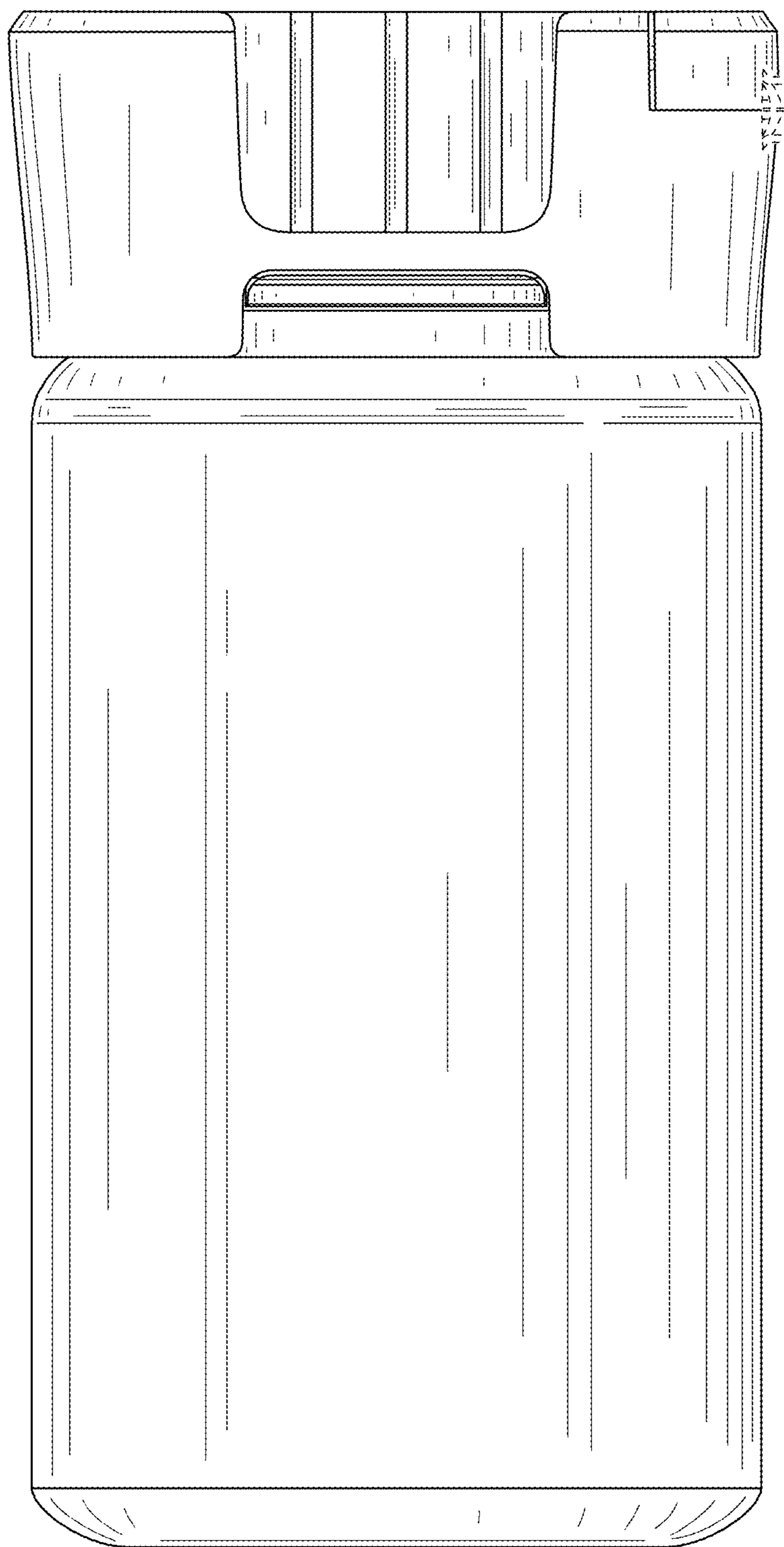


FIG. 4

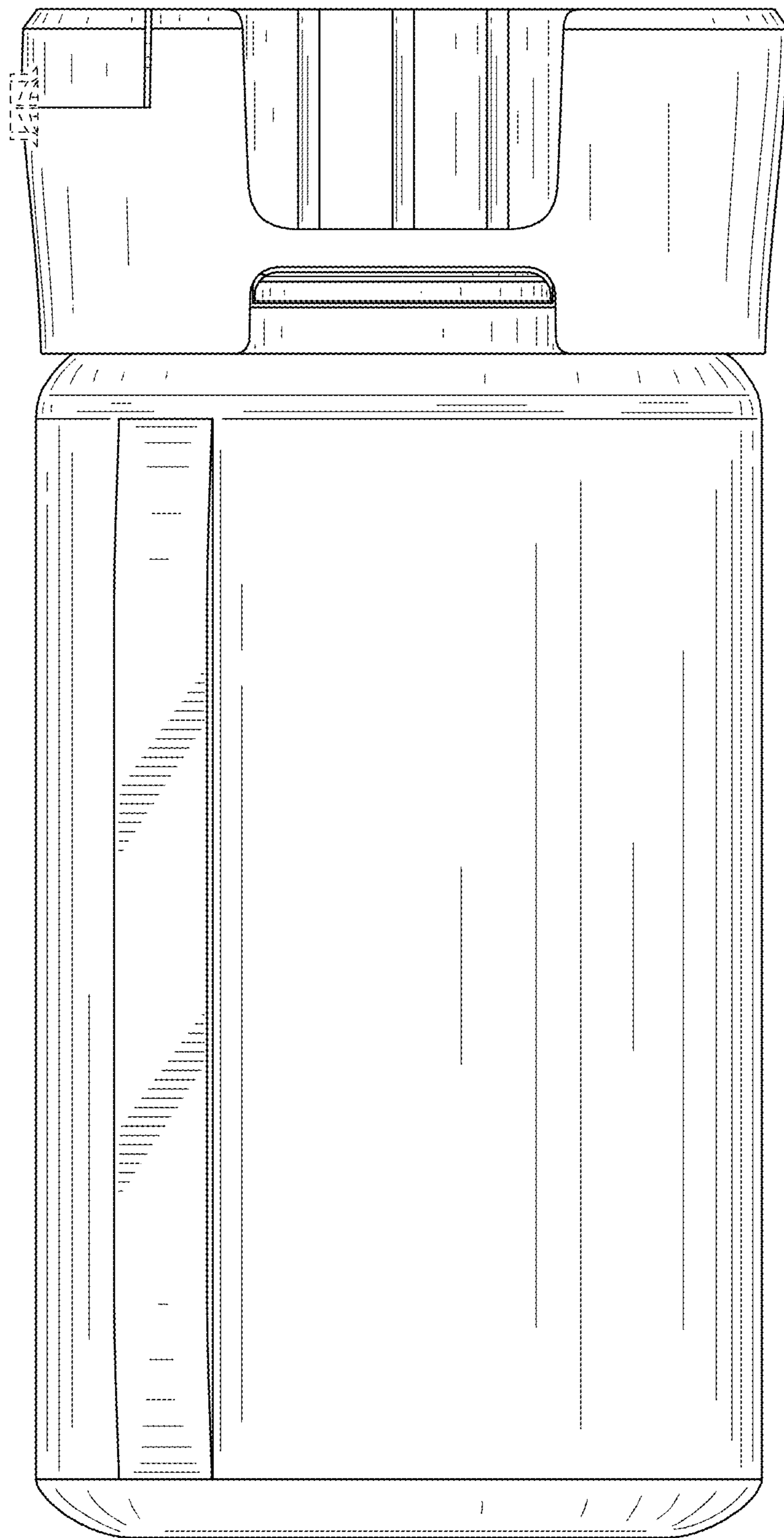


FIG. 5

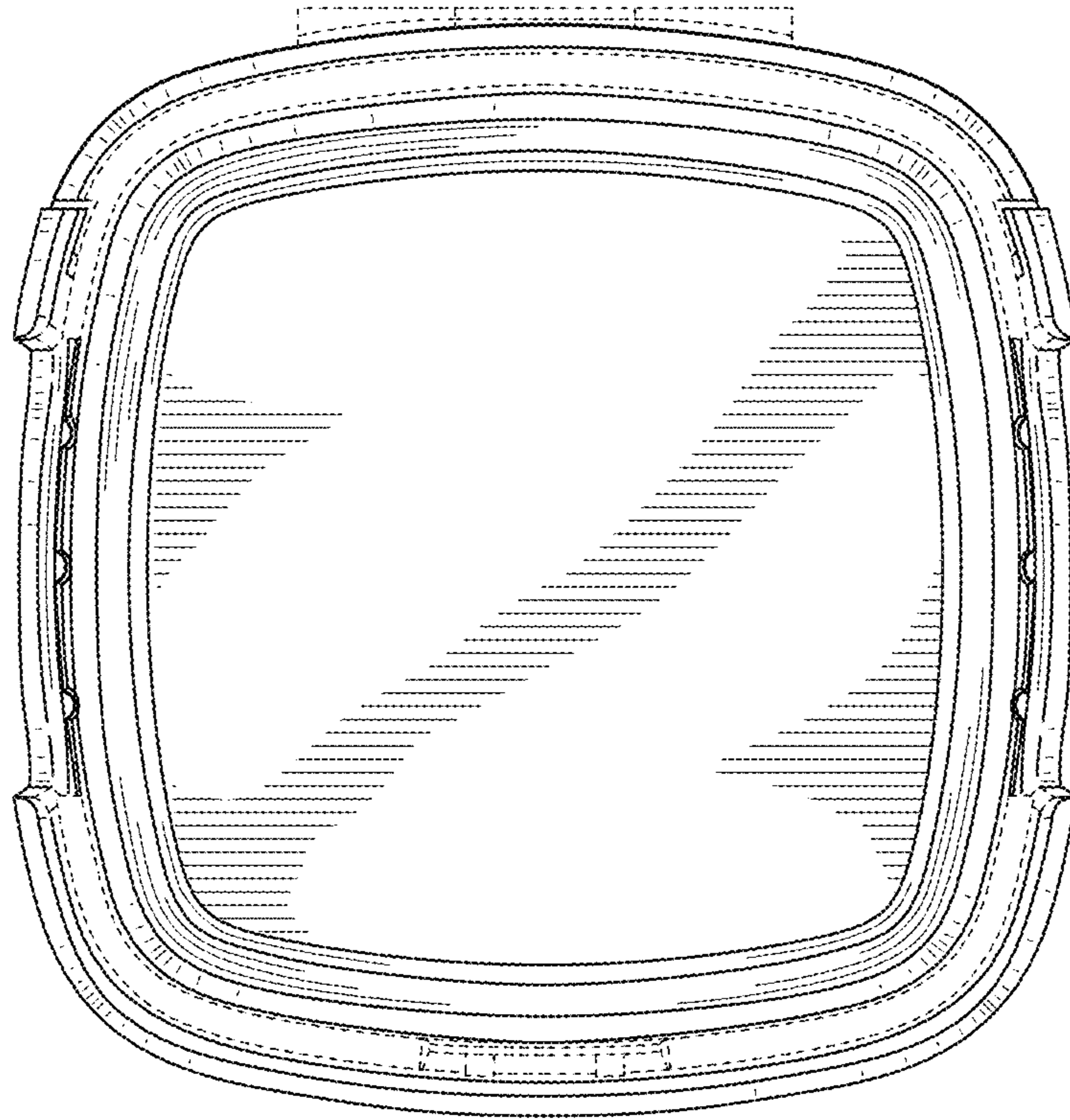


FIG. 6

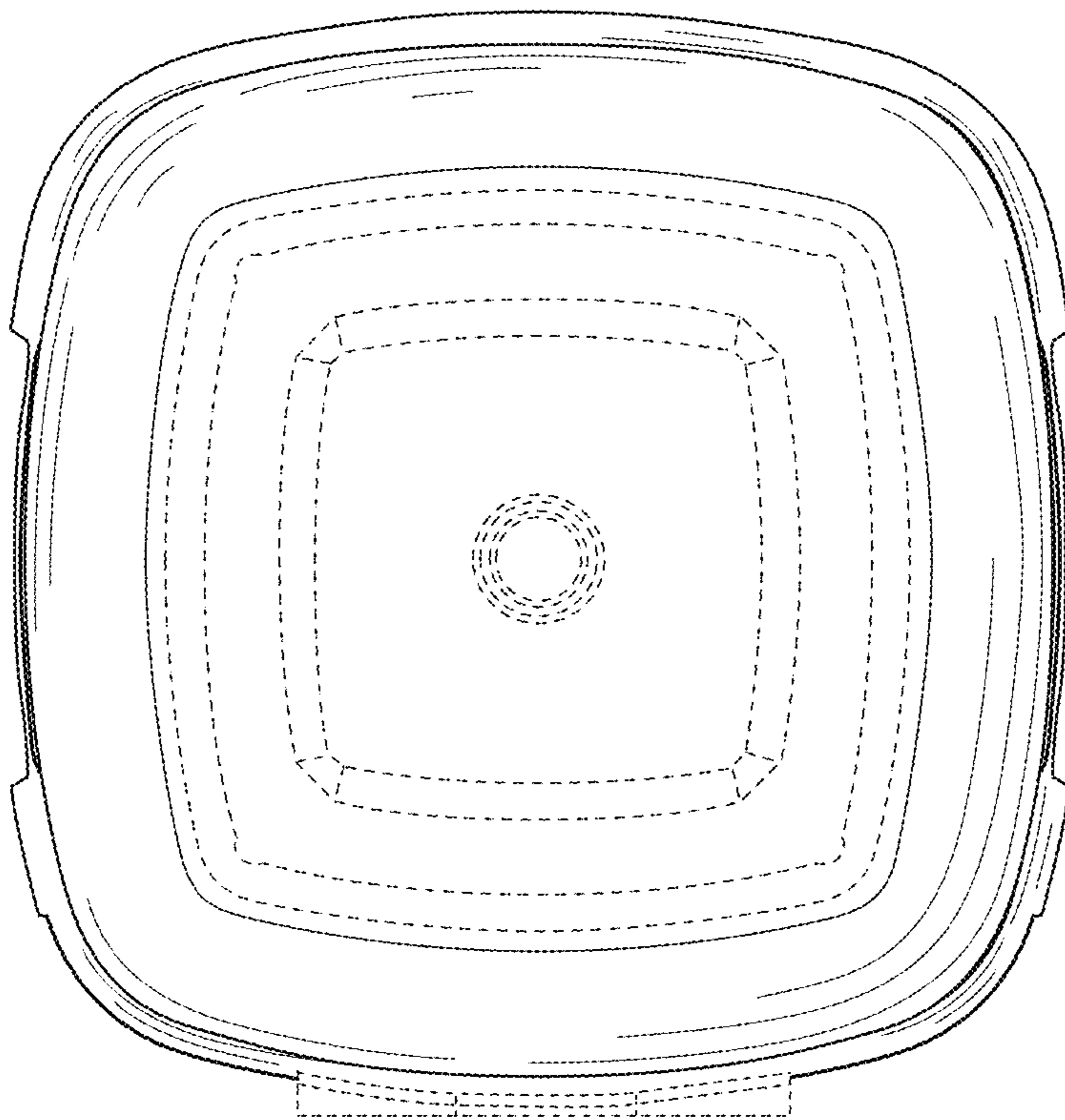


FIG. 7