



US00D786677S

(12) **United States Design Patent**  
**Griffith**

(10) **Patent No.:** **US D786,677 S**

(45) **Date of Patent:** **\*\* May 16, 2017**

(54) **INSERT FOR A BOX**

(71) Applicant: **Give Plants Limited**, Auckland (NZ)

(72) Inventor: **Jerrod V. Griffith**, Auckland (NZ)

(\*\*) Term: **15 Years**

(21) Appl. No.: **29/568,169**

(22) Filed: **Jun. 15, 2016**

(51) **LOC (10) Cl.** ..... **09-07**

(52) **U.S. Cl.**  
USPC ..... **D9/456**

(58) **Field of Classification Search**  
USPC ..... D9/414-419, 421-425, 427, 429,  
D9/430-435, 455-457, 499  
CPC ..... B65D 71/00; B65D 5/503; B65D 5/36;  
B65D 5/20

See application file for complete search history.

(56) **References Cited**

**U.S. PATENT DOCUMENTS**

3,201,024	A	*	8/1965	Brokop	.....	B65D 5/4802	206/194
D206,494	S	*	12/1966	Watts	.....	D9/415	
D251,360	S	*	3/1979	Collin	.....	D9/432	
D268,251	S	*	3/1983	Savage	.....	D9/415	
D286,507	S	*	11/1986	Drago	.....	D6/535	
D306,697	S	*	3/1990	Fonas	.....	D9/432	
D369,102	S	*	4/1996	Pare	.....	D9/415	
D526,893	S	*	8/2006	Nixon	.....	D9/431	
D537,712	S	*	3/2007	Dempsey	.....	D9/431	
D538,644	S	*	3/2007	DeVine	.....	D9/431	

D548,072	S	*	8/2007	Nixon	.....	D9/432
D626,830	S	*	11/2010	Ivic	.....	D9/431
D660,701	S	*	5/2012	Cox	.....	D9/455
D668,545	S	*	10/2012	Cox	.....	D9/455
D730,170	S	*	5/2015	Glass	.....	D9/415

**OTHER PUBLICATIONS**

Give Plants. Products. Jul. 22, 2011 [earliest online date], [site visited Feb. 8, 2017]. Available from Internet, <URL:http://www.giveplants.co.nz/all-plant-gifts>.\*

\* cited by examiner

*Primary Examiner* — Robert M Spear  
*Assistant Examiner* — Darcey E Heflin  
(74) *Attorney, Agent, or Firm* — Heisler & Associate

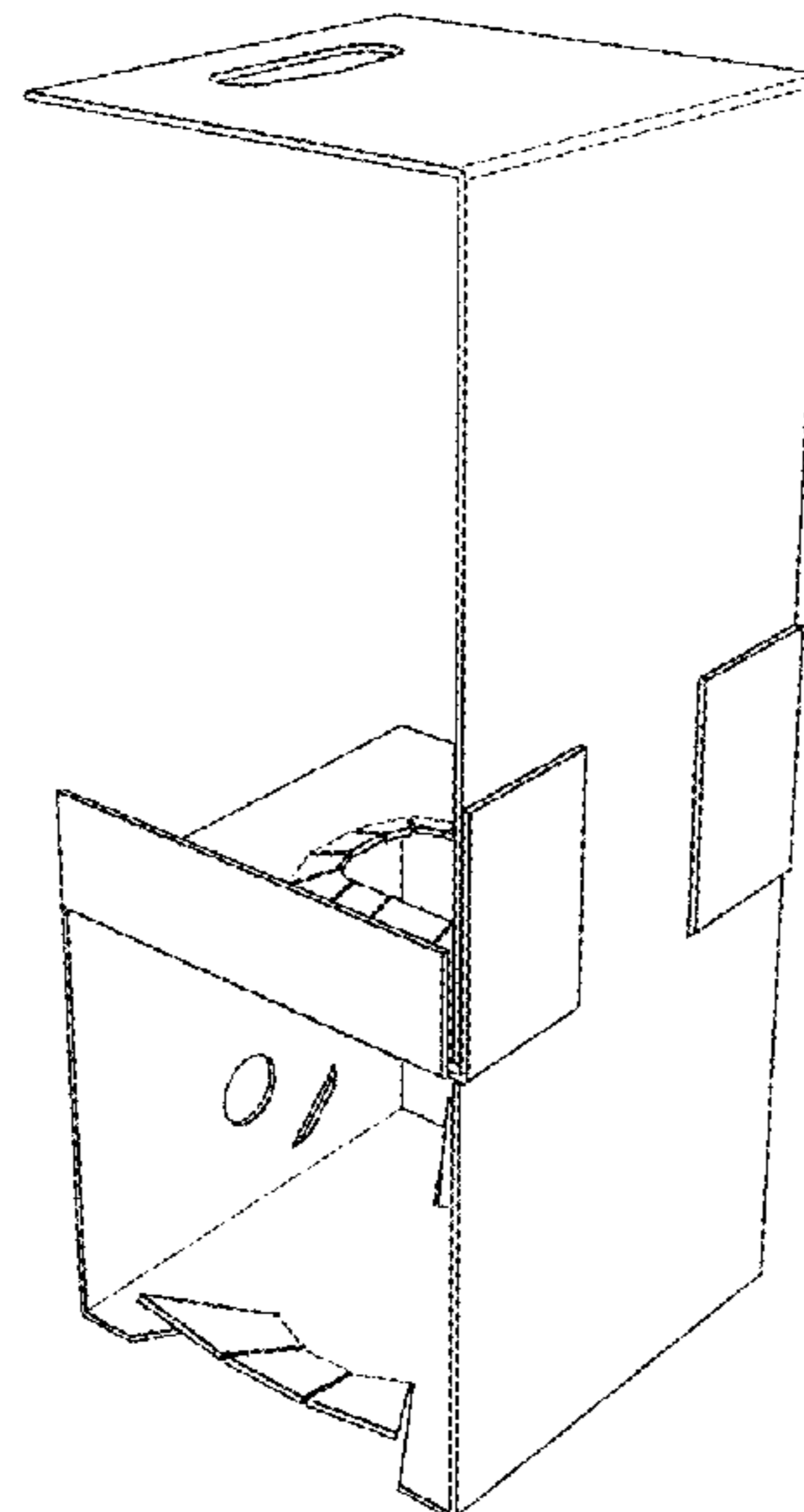
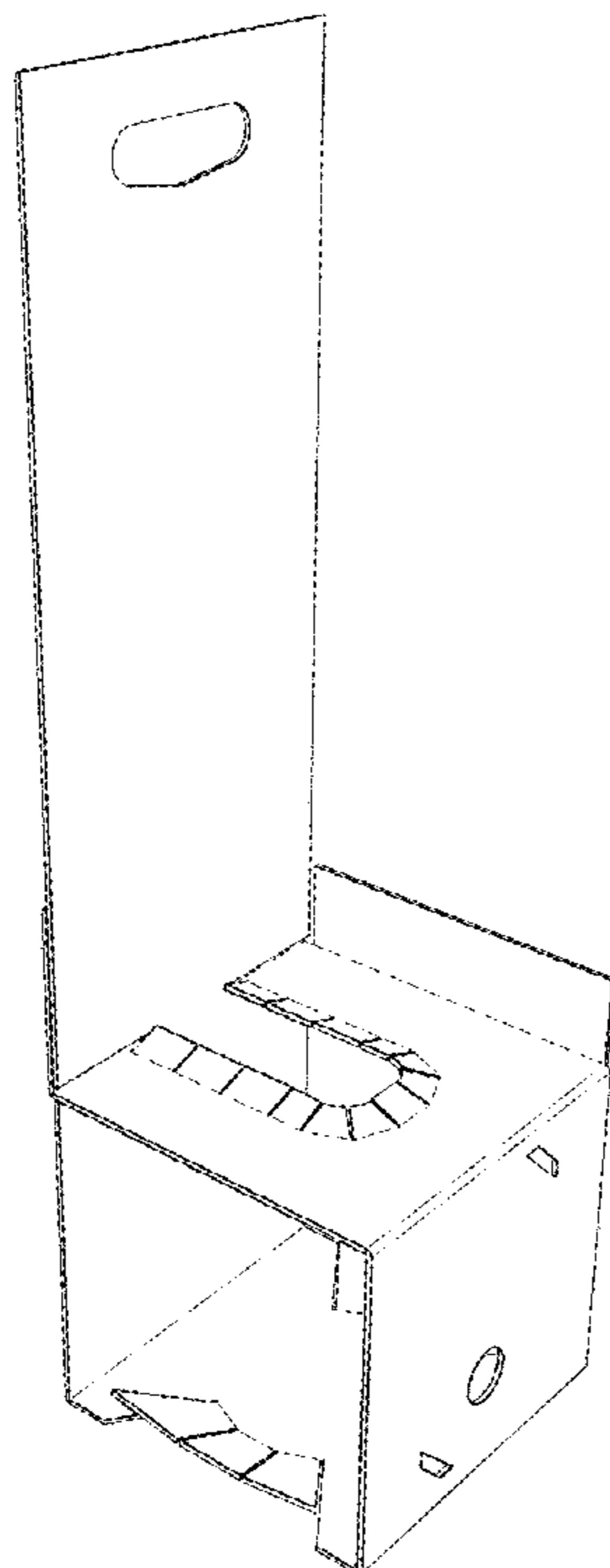
(57) **CLAIM**

The ornamental design for an insert for a box, as shown and described.

**DESCRIPTION**

FIG. 1 is a front perspective view of the insert for a box; FIG. 2 is a rear perspective view of the invention with an upper portion folded over; FIG. 3 is a front elevation view of the invention; FIG. 4 is a rear elevation view of the invention; FIG. 5 is a top plan view of the invention; FIG. 6 is a bottom plan view of the invention; FIG. 7 is a left side view of the invention; and, FIG. 8 is a top plan view of the invention with entire insert disassembled and lying flat. In FIG. 8, the broken lines represent fold lines, which form part of the claim.

**1 Claim, 8 Drawing Sheets**



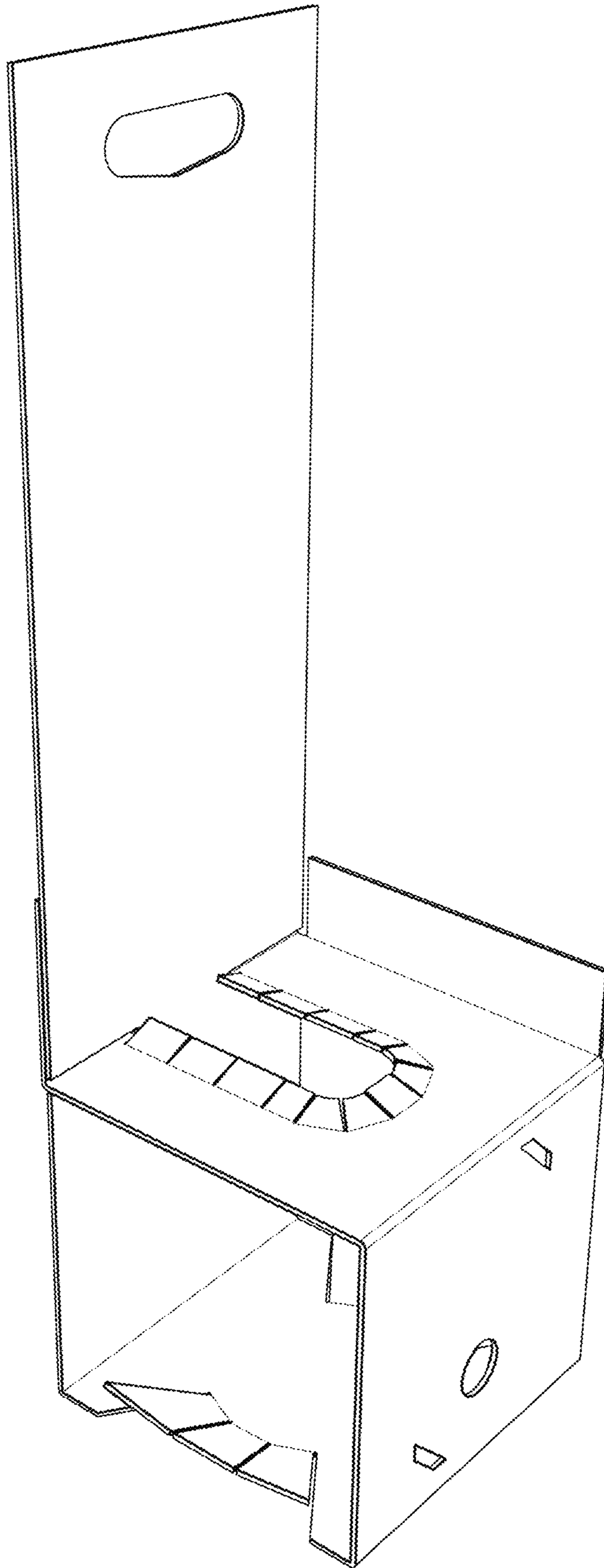


Figure 1

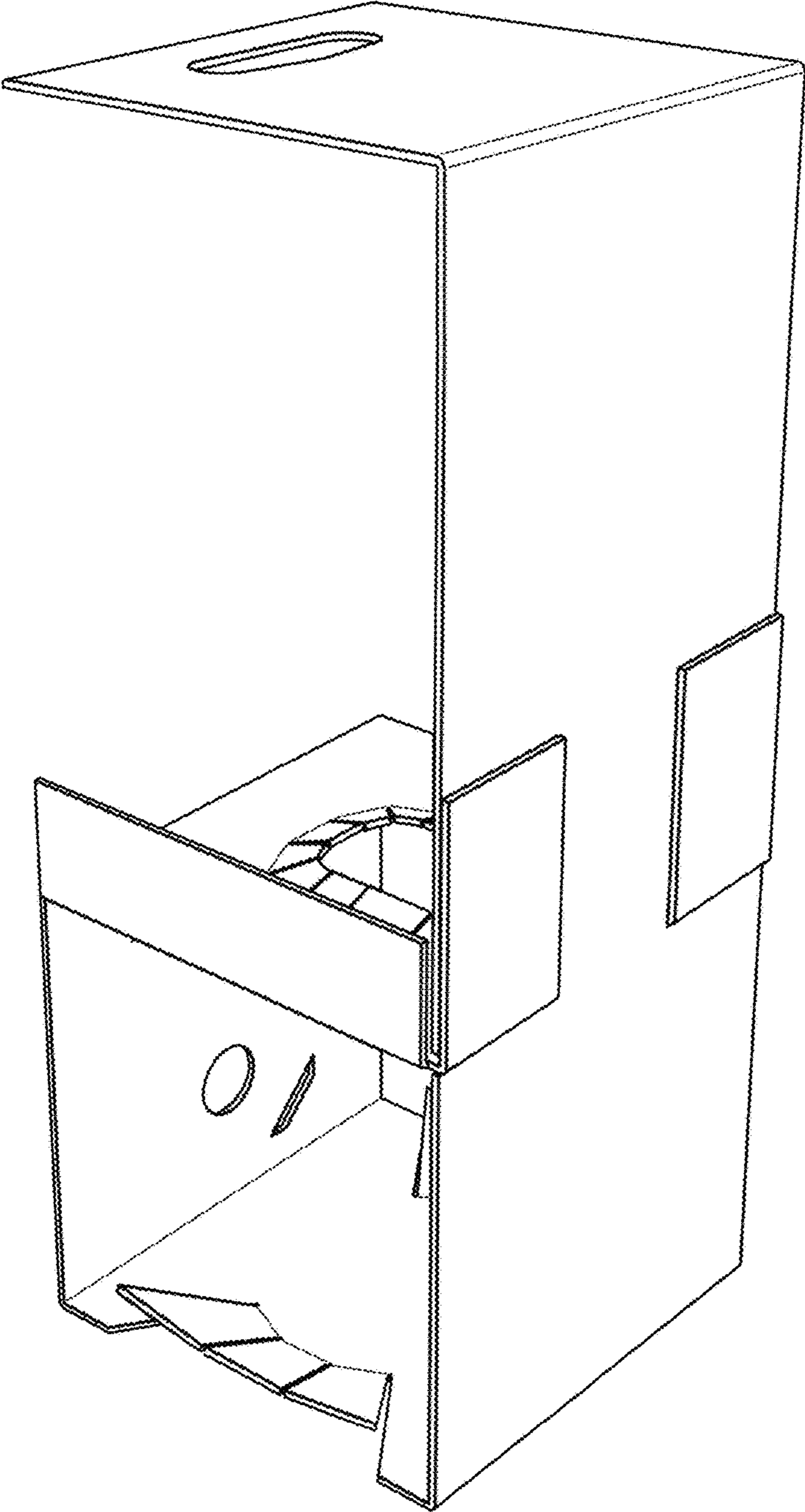


Figure 2

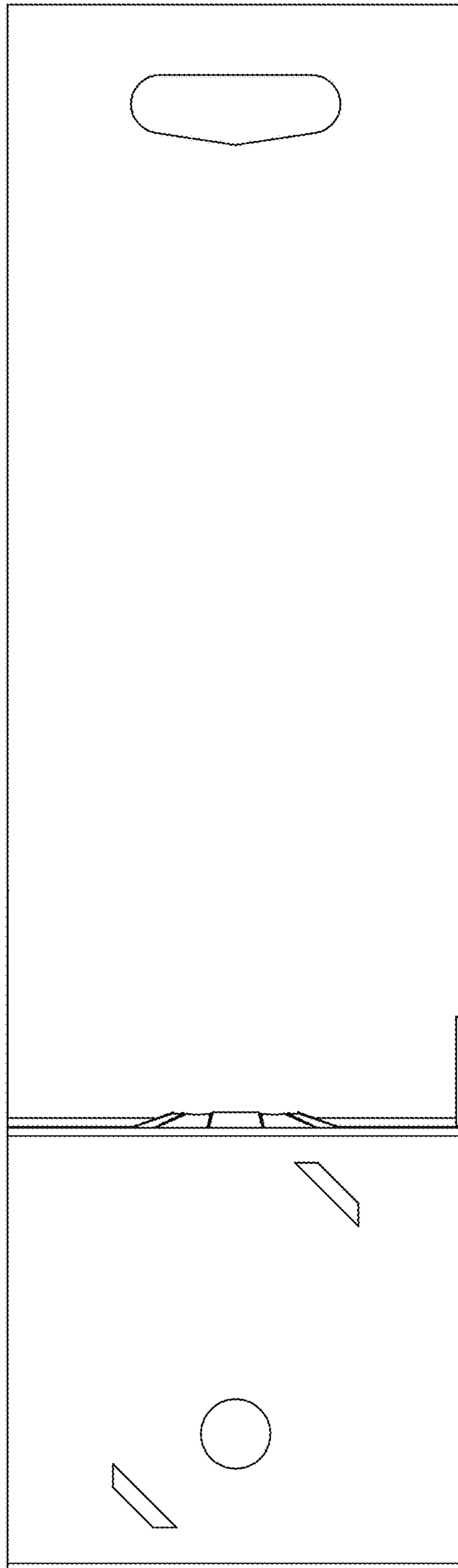


Figure 3

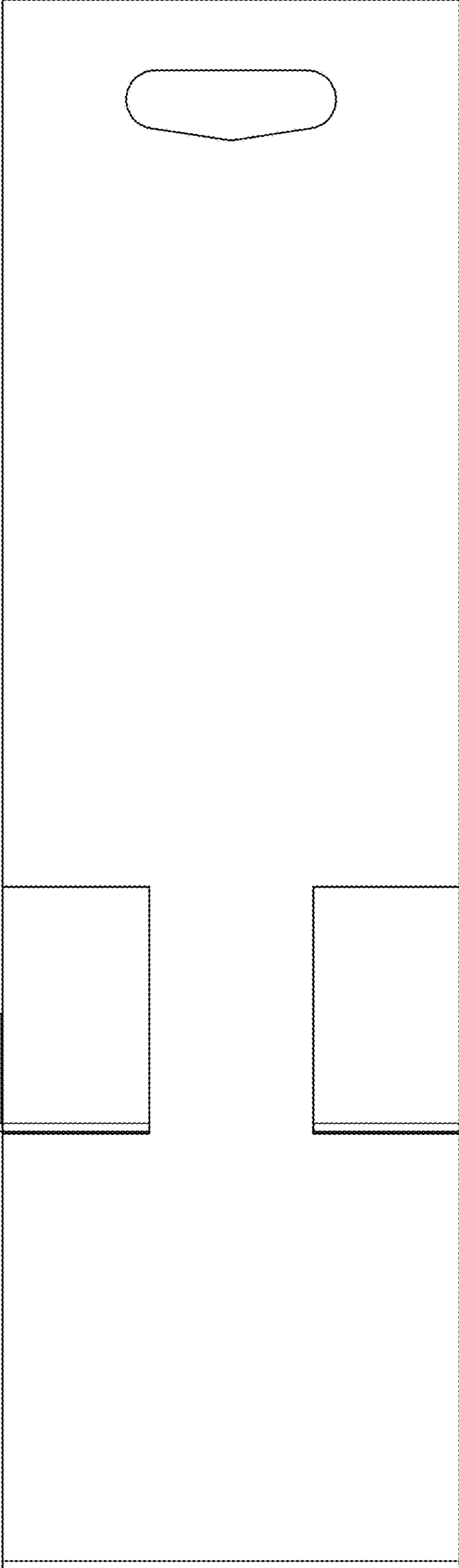


Figure 4

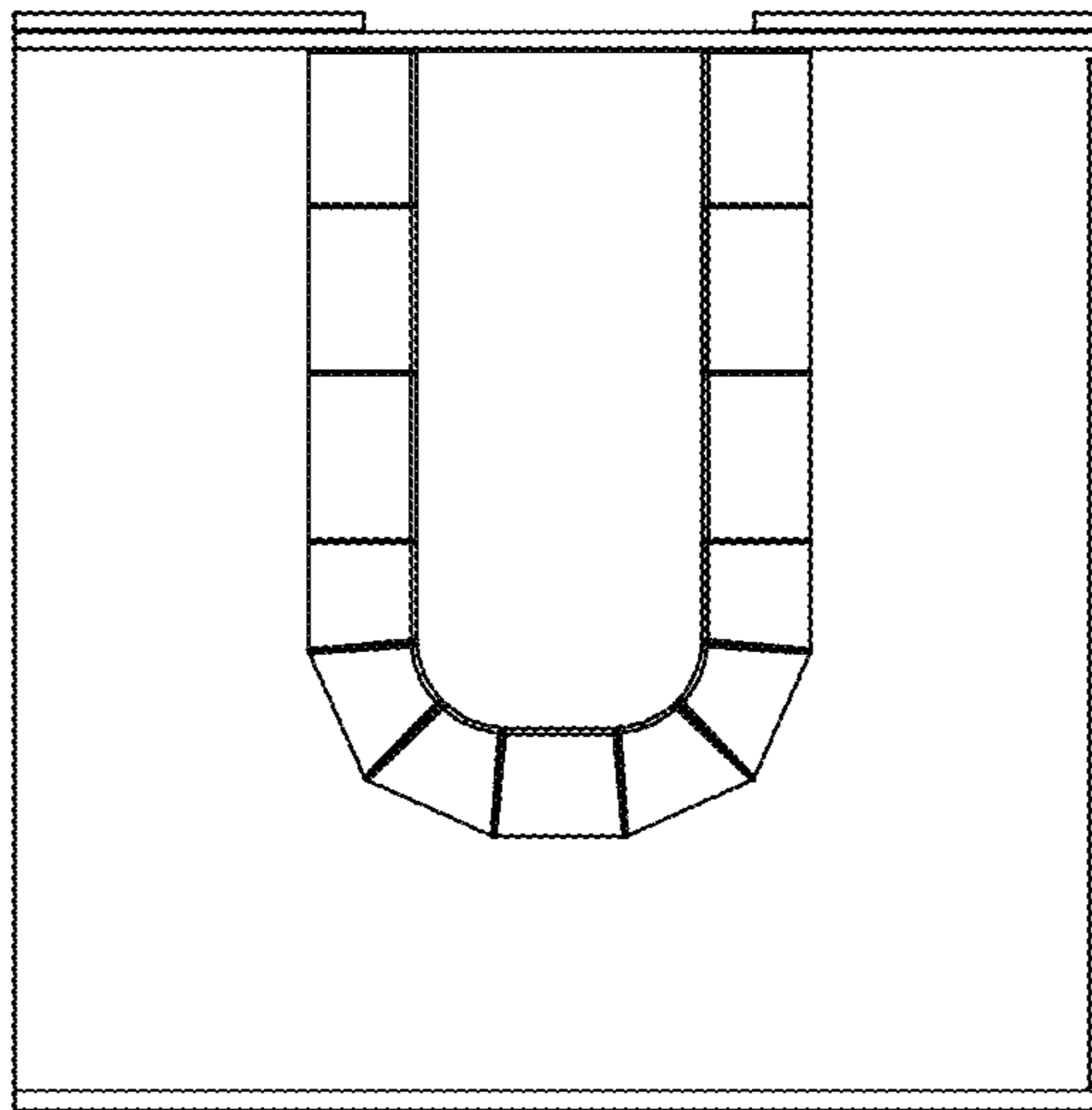


Figure 5

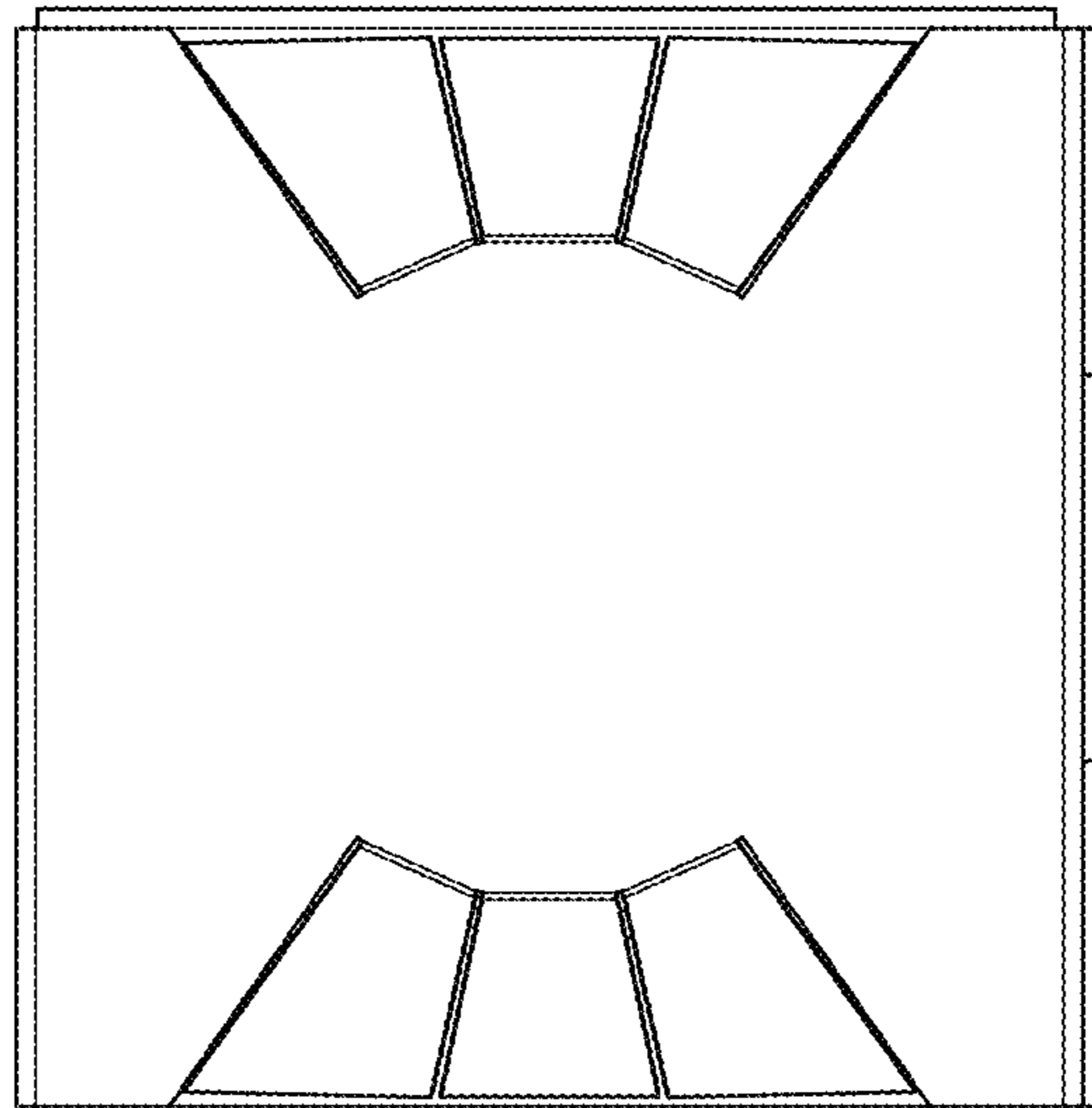


Figure 6



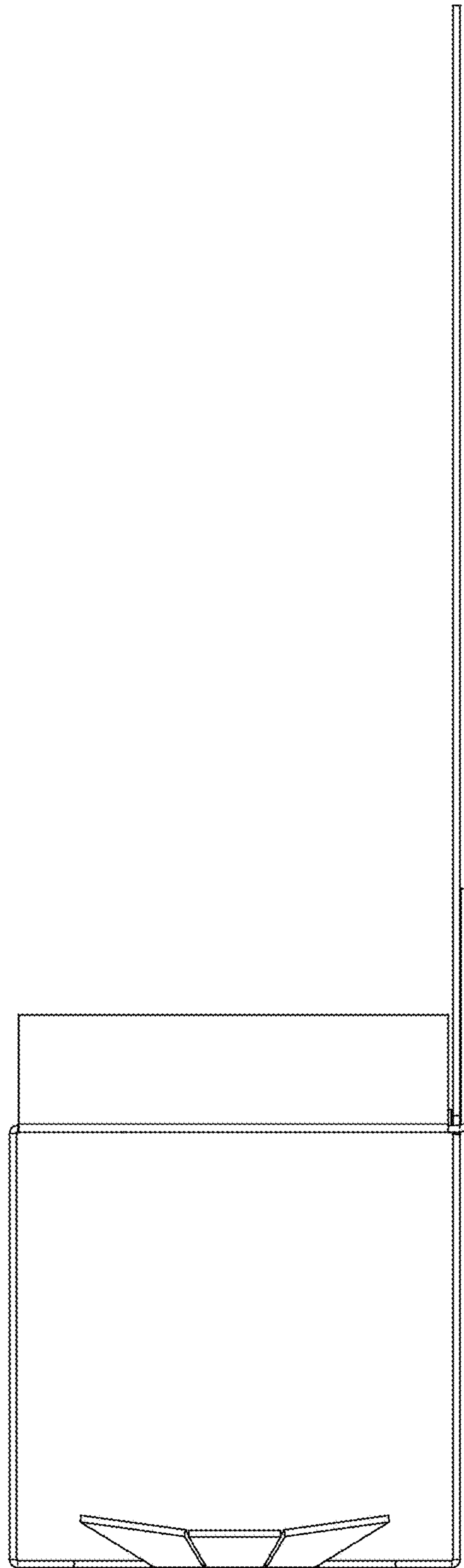


Figure 7



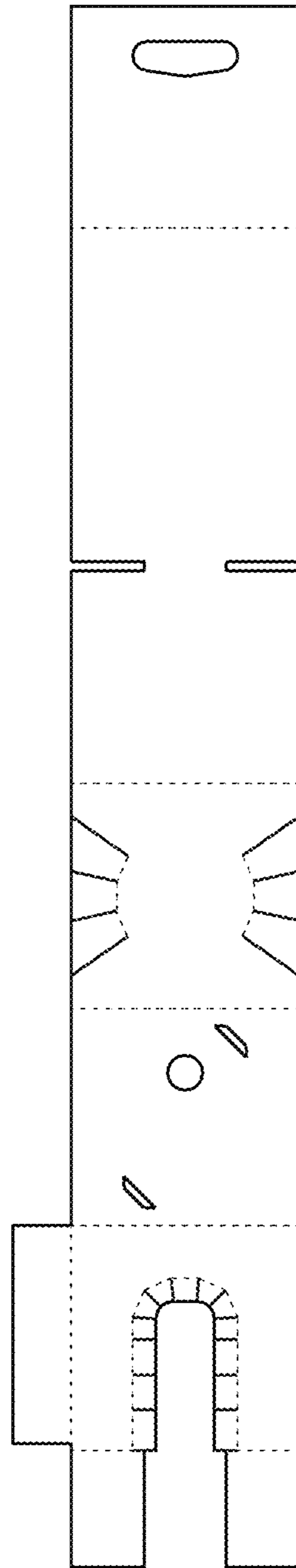


Figure 8