

US00D786675S

(12) **United States Design Patent**
Ramirez et al.

(10) **Patent No.:** **US D786,675 S**

(45) **Date of Patent:** **** May 16, 2017**

- (54) **LID FOR AN EGG CARTON**
- (71) Applicant: **Tekni-Plex, Inc.**, King of Prussia, PA (US)
- (72) Inventors: **Richard L. Ramirez**, Lawrenceville, GA (US); **Mark A. Bergeron**, Monroe, GA (US); **Babu Kuruvilla**, Griffen, GA (US); **Roger P. Lichtle**, Decatur, IN (US)
- (73) Assignee: **Tekni-Plex, Inc.**, Wayne, PA (US)
- (**) Term: **14 Years**
- (21) Appl. No.: **29/499,588**
- (22) Filed: **Aug. 15, 2014**
- (51) **LOC (10) Cl.** **09-07**
- (52) **U.S. Cl.**
USPC **D9/449; D9/756; D7/611**
- (58) **Field of Classification Search**
USPC D3/275, 294, 318; D6/491, 492, D6/509-511, 512, 515-523; D7/540, D7/541, 542, 553.1, 553.2, 554.1, 554.3, D7/560, 562, 602, 611, 615; D9/356, D9/420-426, 434, 435, 449, 452, 456, D9/734, 737, 744, 756, 757, 761, 762; 206/225, 233, 389, 391, 406, 409, 449, 206/508, 521, 521.1, 521.3, 521.4, 521.6, 206/521.9, 564, 812, 824; 211/13.1, 41; 222/175, 180
CPC B65D 85/30; B65D 85/32; B65D 85/324; B65D 85/325; B65D 85/326; B65D 85/327; B65D 77/0413; B65D 11/18; B65D 43/162; B65B 1/04
See application file for complete search history.

- 3,570,747 A * 3/1971 McKenna B65D 85/324 206/521.1
- 3,572,578 A * 3/1971 Rohdin B65D 85/324 206/521.8
- 3,648,916 A * 3/1972 Commisso B65D 85/324 206/521.1

(Continued)

OTHER PUBLICATIONS

U.S. Appl. No. 13/349,360, filed Jan. 12, 2012, Trifold Egg Carton for Jumbo Eggs.

(Continued)

Primary Examiner — Thomas Johannes
Assistant Examiner — Catherine Posthauer
(74) *Attorney, Agent, or Firm* — Polsinelli PC

(57) **CLAIM**

The ornamental design for a lid for an egg carton, as shown and described.

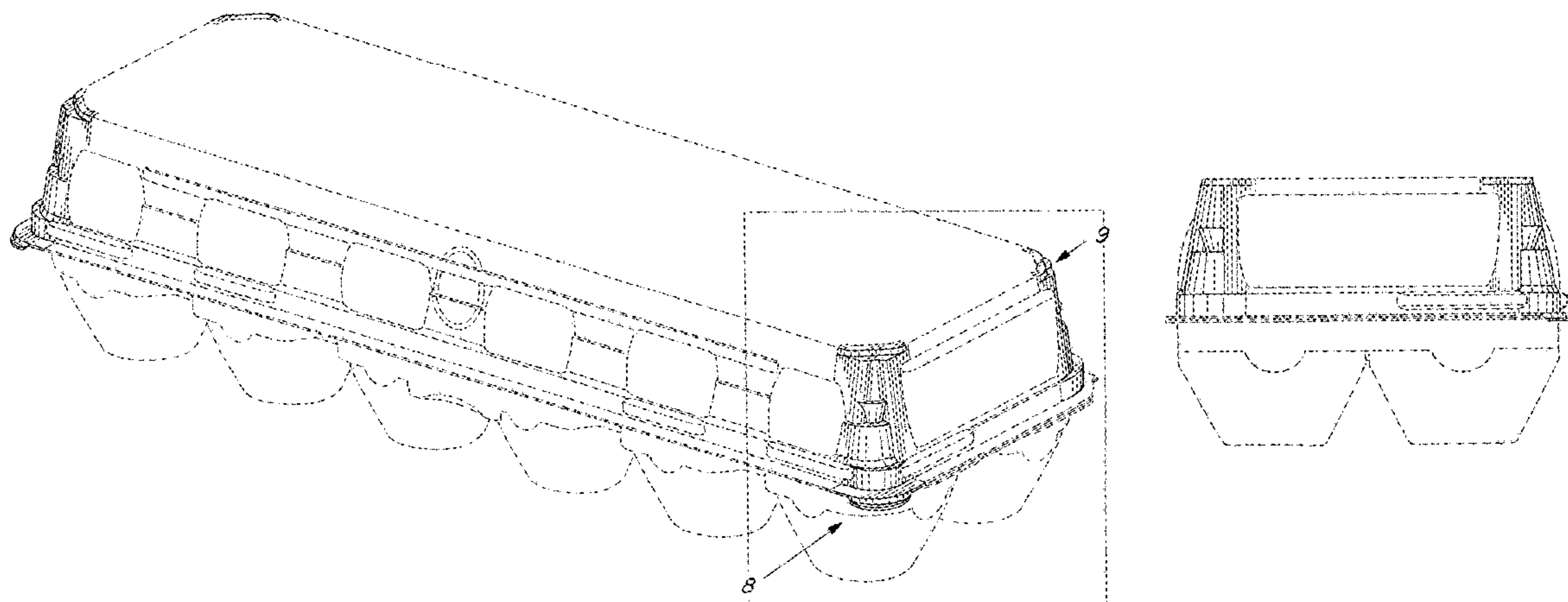
DESCRIPTION

FIG. 1 is a top, front right side perspective view of a lid for an egg carton;
 FIG. 2 is a front elevation view thereof;
 FIG. 3 is a rear elevation view thereof;
 FIG. 4 is a left side elevation view thereof;
 FIG. 5 is a right side elevation view thereof;
 FIG. 6 is a top plan view thereof;
 FIG. 7 is a bottom plan view thereof;
 FIG. 8 is an enlarged detail view taken from the designation 8 on FIG. 1; and,
 FIG. 9 is an enlarged detail view, taken from the designation 9 on FIG. 1.

The evenly broken lines represent portions of the article that form no part of the claimed design. The dot-dot dash lines represent the designation of enlargement views and form no part of the claimed design.

1 Claim, 7 Drawing Sheets

- (56) **References Cited**
U.S. PATENT DOCUMENTS
D160,738 S * 10/1950 Randal 206/521.1
3,563,446 A * 2/1971 Lake B65D 85/324 206/521.1



(56)

References Cited

U.S. PATENT DOCUMENTS

3,712,532 A * 1/1973 Alroy B65D 85/324
206/518
3,817,441 A * 6/1974 Jackson B65D 85/324
206/521.1
D273,844 S * 5/1984 Bixler D9/426
D274,790 S * 7/1984 Bixler D9/426
D291,533 S * 8/1987 Mangla D9/757
D306,138 S * 2/1990 Congleton D9/757
D385,780 S * 11/1997 Krupa D9/757
D405,362 S * 2/1999 Herbruck D9/762
D405,364 S * 2/1999 Herbruck D9/762
D405,365 S * 2/1999 Herbruck D9/762
D409,483 S * 5/1999 Herbruck D9/762
D412,277 S * 7/1999 Herbruck D9/762
D412,841 S * 8/1999 Herbruck D9/762
6,012,583 A * 1/2000 Ramirez B65D 85/324
206/508
D512,305 S * 12/2005 Ramirez D9/425
D632,974 S * 2/2011 Dijkstra D9/757
2005/0205570 A1 * 9/2005 Ramirez B65D 1/24
220/4.21
2010/0147729 A1 * 6/2010 Blanchette B65D 85/32
206/521.1
2013/0048527 A1 * 2/2013 Ramirez B65D 71/0096
206/521.1
2015/0266659 A1 * 9/2015 Roth D21J 7/00
206/459.5
2016/0046432 A1 * 2/2016 Kuruvilla B65D 85/32
206/521.1

OTHER PUBLICATIONS

U.S. Appl. No. 14/062,415, filed Oct. 24, 2013, Apparatus and Method for Aligning and Holding Egg Cartons.
U.S. Appl. No. 13/219,174, filed Aug. 26, 2011, Standard Footprint Egg Carton for Holding Up to Jumbo Size Eggs.
U.S. Appl. No. 13/219,083, filed Aug. 26, 2011, Egg Carton With Mating Cell and Lid Post Structure.
U.S. Appl. No. 14/460,837, filed Aug. 15, 2014, Tri-Fold Egg Carton.
U.S. Appl. No. 29/499,586, filed Aug. 15, 2014, Lid for an Egg Carton.
U.S. Appl. No. 29/499,594, filed Aug. 15, 2014, Lid for an Egg Carton.
U.S. Appl. No. 29/499,588, filed Aug. 15, 2014, Lid for an Egg Carton.
U.S. Appl. No. 14/460,889, filed Aug. 15, 2014, Method and Apparatus for Forming a Notched Hinge Connection in a Thermoformed Container.
U.S. Appl. No. 29/499,548, filed Aug. 15, 2014, Hinge Assembly for an Egg Carton.

* cited by examiner

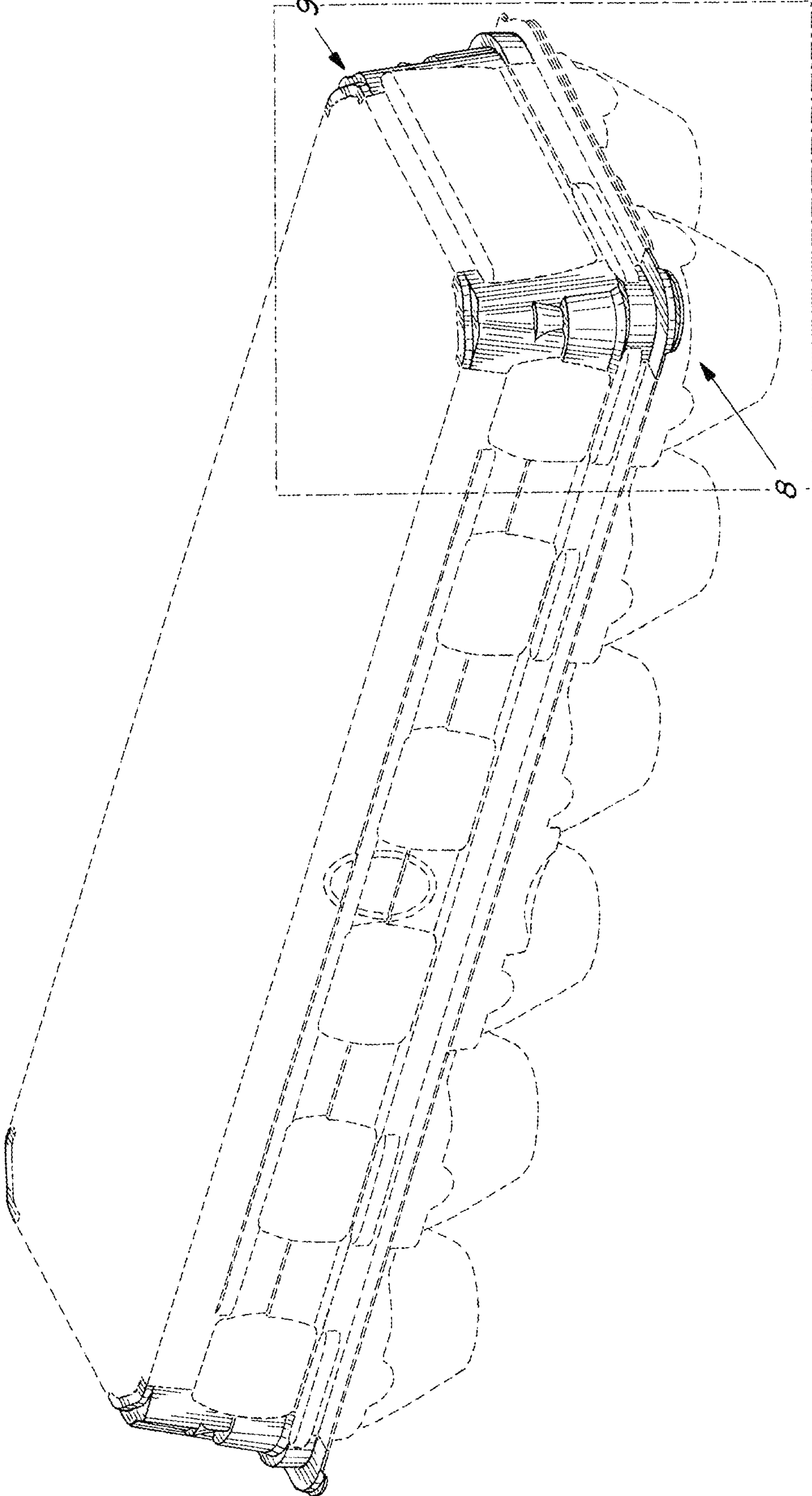


Fig. 1

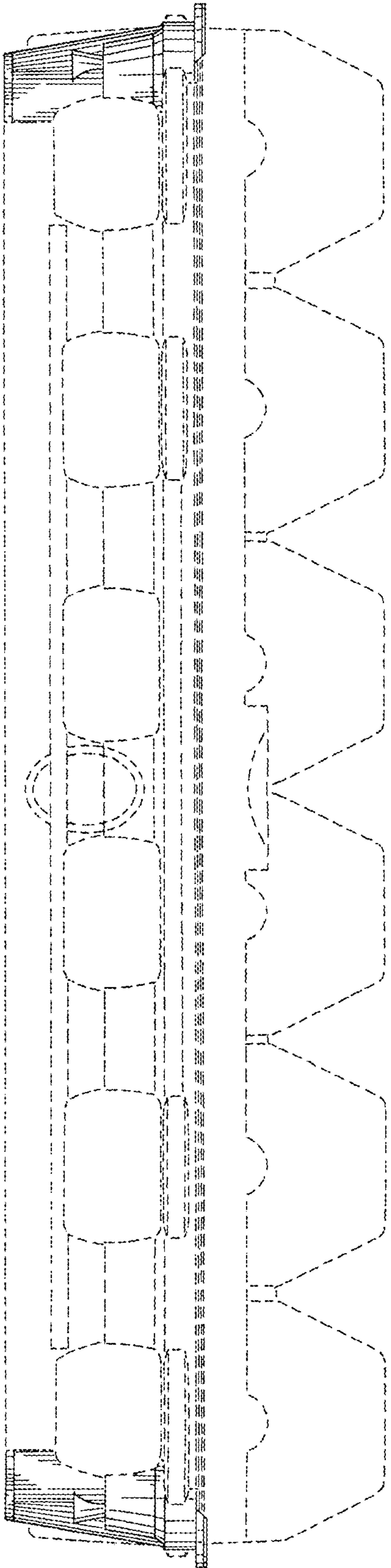


Fig. 2

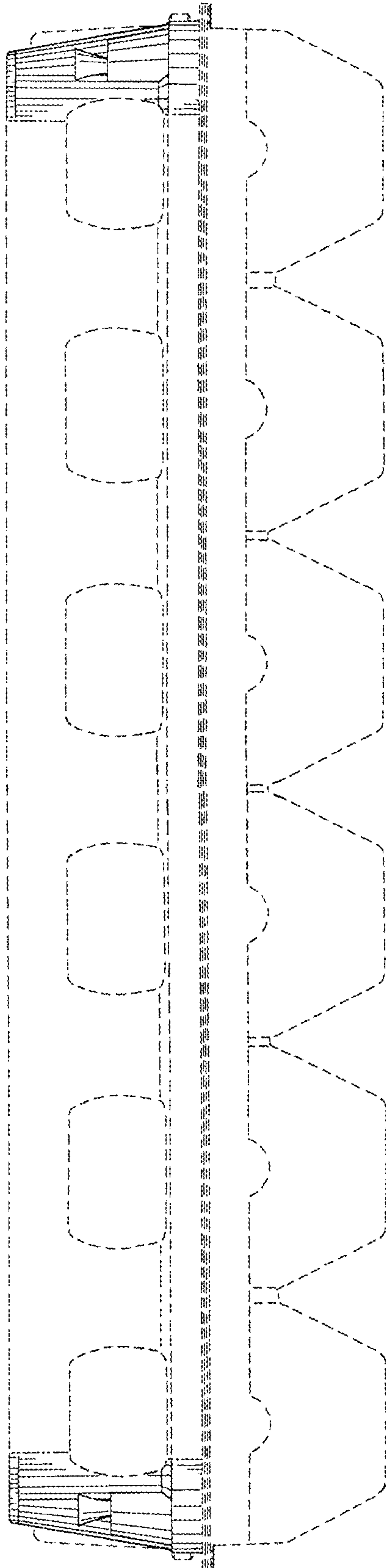


Fig. 3

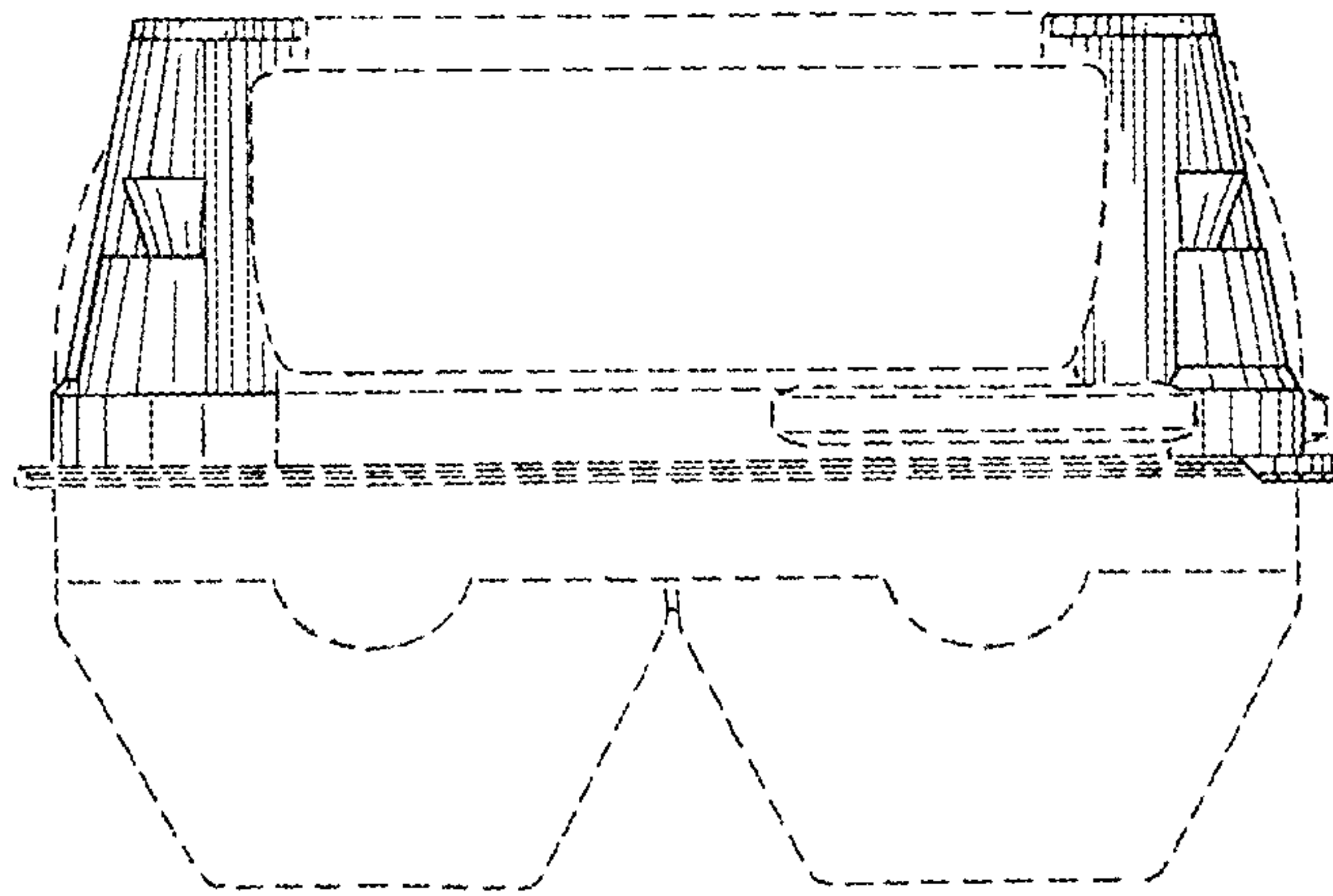


Fig. 4

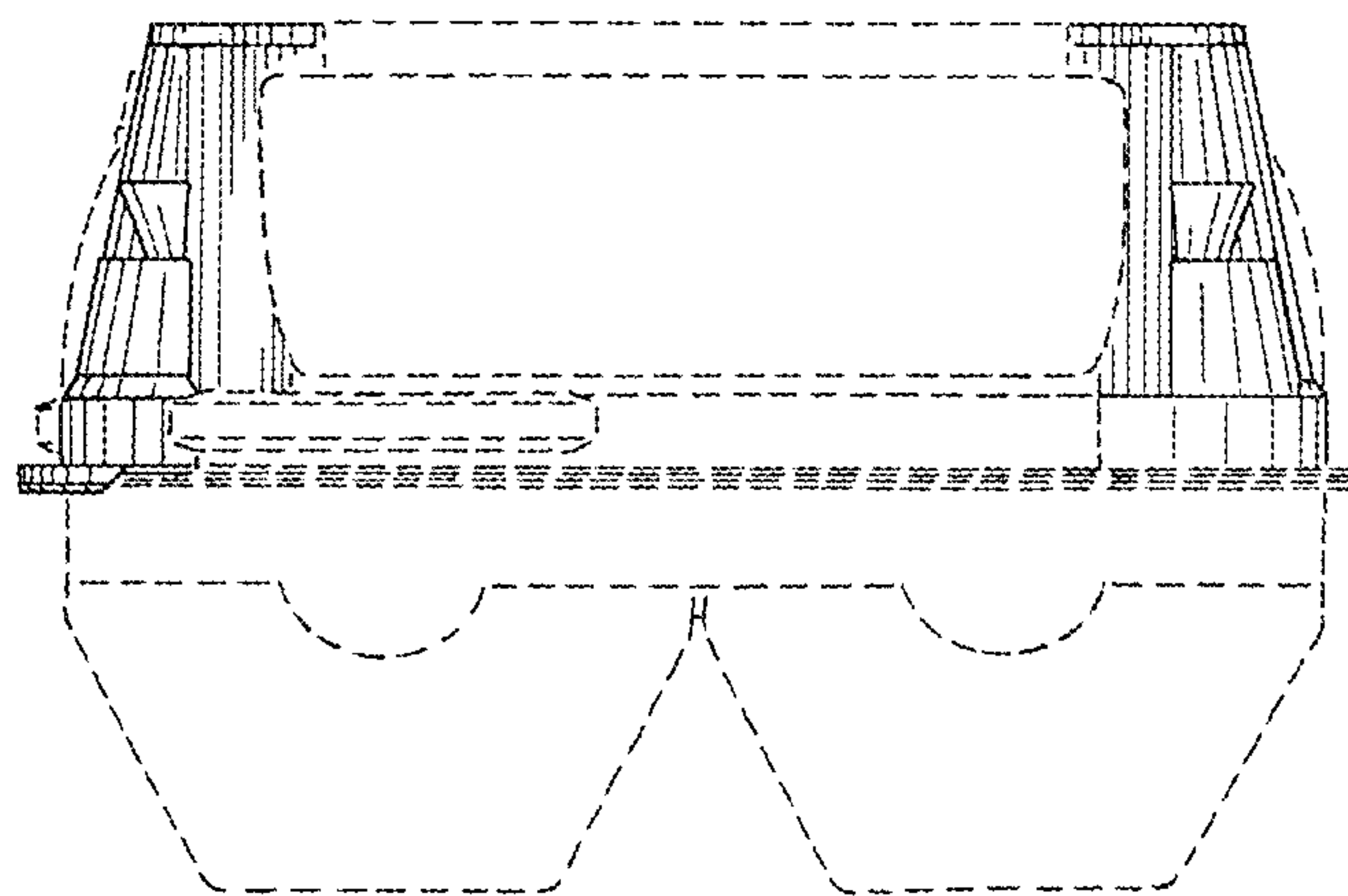


Fig. 5

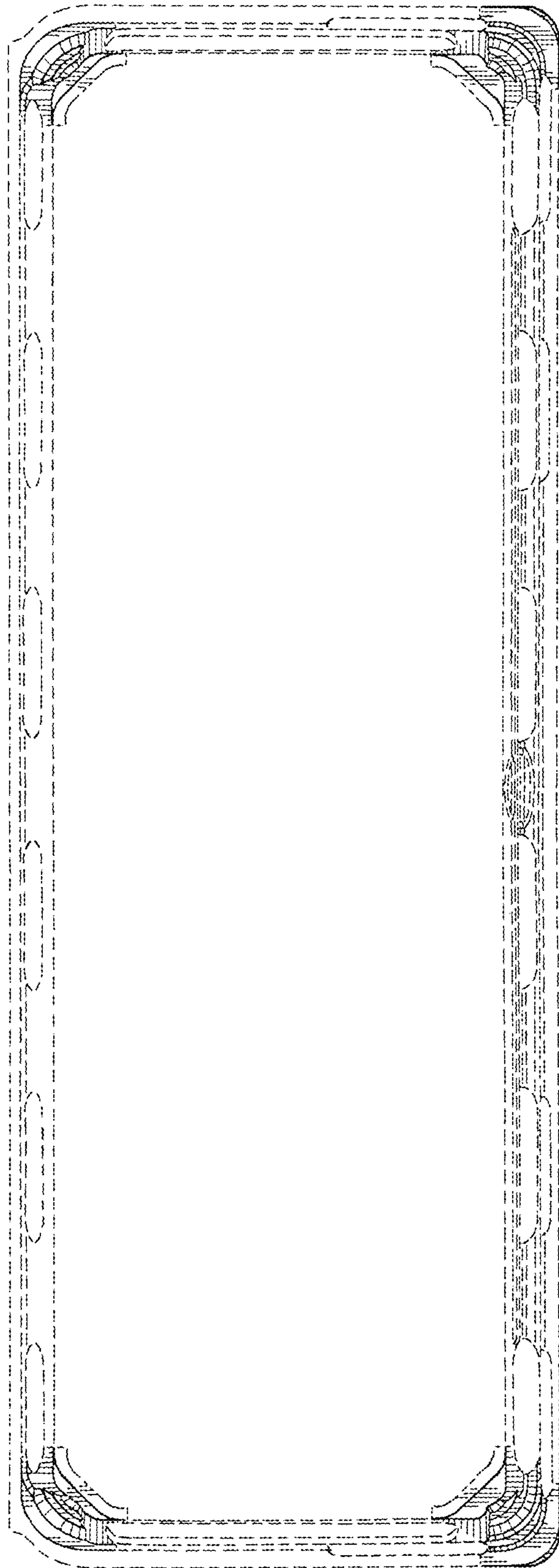


Fig. 6

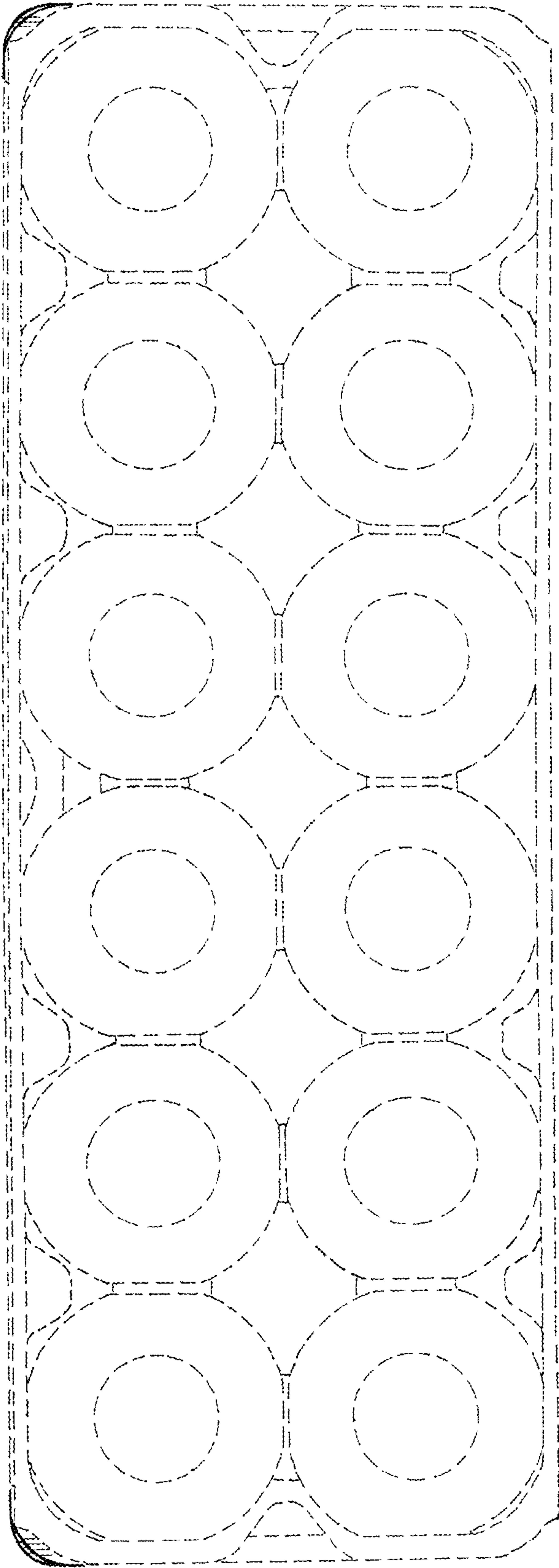


Fig. 7

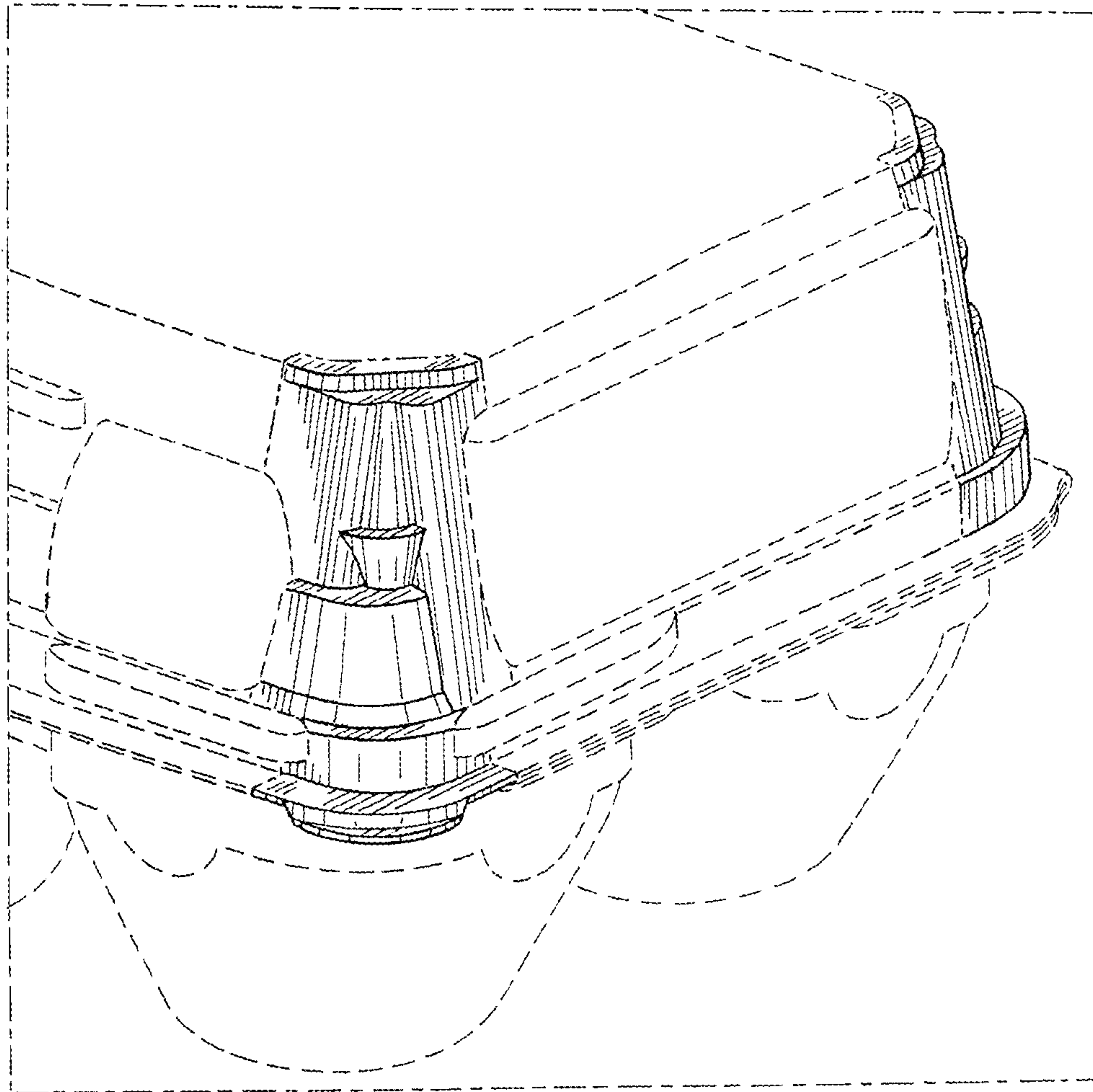


Fig. 8

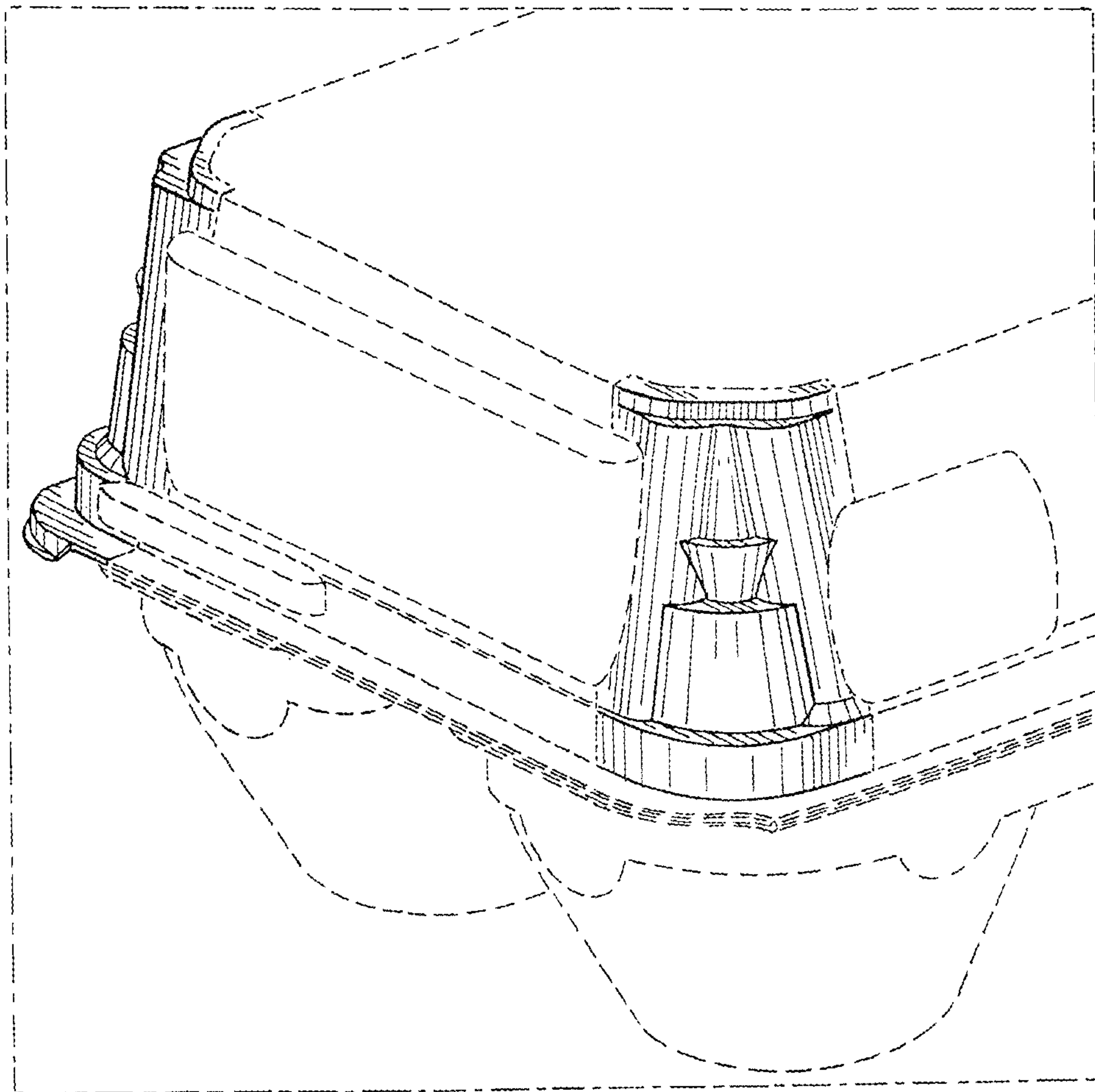


Fig. 9