



US00D786674S

(12) **United States Design Patent**  
**Miller et al.**

(10) **Patent No.:** **US D786,674 S**  
(45) **Date of Patent:** **\*\* May 16, 2017**

(54) **BOTTLE CAP**

B65D 41/62; B65D 47/06; B65D 47/08;  
B65D 2543/00046; B65D 2543/00092;  
B65D 2543/00296

(71) Applicants: **Michael David Miller**, Tweksbury, MA (US); **Jacquelyn Hui-Yan Wan**, Manchester, NH (US); **Bennett P. Daley**, Somerville, MA (US); **Peter Rezac**, Sterling, MA (US); **Timothy Bernard Coker**, Nashua, NH (US); **Ryan Neil Peter Hall**, Clinton, MA (US); **Timothy Andrew Vanderpoel**, Hudson, MA (US)

See application file for complete search history.

(56) **References Cited**

U.S. PATENT DOCUMENTS

3,252,492 A \* 5/1966 Marchant ..... B65D 47/0885  
215/10

4,056,209 A 11/1977 Winkler et al.

4,093,103 A 6/1978 Mumford

(Continued)

*Primary Examiner* — Karen S Acker  
*Assistant Examiner* — Wendy Arminio

(72) Inventors: **Michael David Miller**, Tweksbury, MA (US); **Jacquelyn Hui-Yan Wan**, Manchester, NH (US); **Bennett P. Daley**, Somerville, MA (US); **Peter Rezac**, Sterling, MA (US); **Timothy Bernard Coker**, Nashua, NH (US); **Ryan Neil Peter Hall**, Clinton, MA (US); **Timothy Andrew Vanderpoel**, Hudson, MA (US)

(57) **CLAIM**

The ornamental design for a bottle cap, as shown and described.

(73) Assignee: **CVS PHARMACY, INC.**, Woonsocket, RI (US)

**DESCRIPTION**

(\*\*) Term: **15 Years**

FIG. 1 is an isometric view of a bottle cap showing our new design;

(21) Appl. No.: **29/537,962**

FIG. 2 is a front end view of the design of FIG. 1;

(22) Filed: **Aug. 31, 2015**

FIG. 3 is a rear end view of the design of FIG. 1;

(51) **LOC (10) Cl.** ..... **09-06**

FIG. 4 is a right side view of the design of FIG. 1;

(52) **U.S. Cl.**

FIG. 5 is a left side view of the design of FIG. 1;

USPC ..... **D9/446**

FIG. 6 is a top view of the design of FIG. 1;

(58) **Field of Classification Search**

FIG. 7 is a bottom view of the design of FIG. 1;

USPC ..... D9/415, 434, 435, 440, 446–450, 452,  
D9/453, 454, 455–457, 499; D7/387,  
D7/388, 396.2, 396.4, 396.6, 398, 403,  
D7/509, 510, 511, 392.1; D3/202, 203.2,  
D3/247, 294, 304, 318; D28/91.1;  
D8/343, 346, 352, 382, 397, 399

FIG. 8 is an isometric view of the design of FIG. 1 shown in an open position;

CPC .. A61J 1/00; A61J 1/1412; B65D 1/00; B65D  
1/02; B65D 1/10; B65D 1/46; B65D  
2585/56; B65D 41/00; B65D 41/56;

FIG. 9 is a front end view thereof;

FIG. 10 is a rear end view thereof;

FIG. 11 is a right side view thereof;

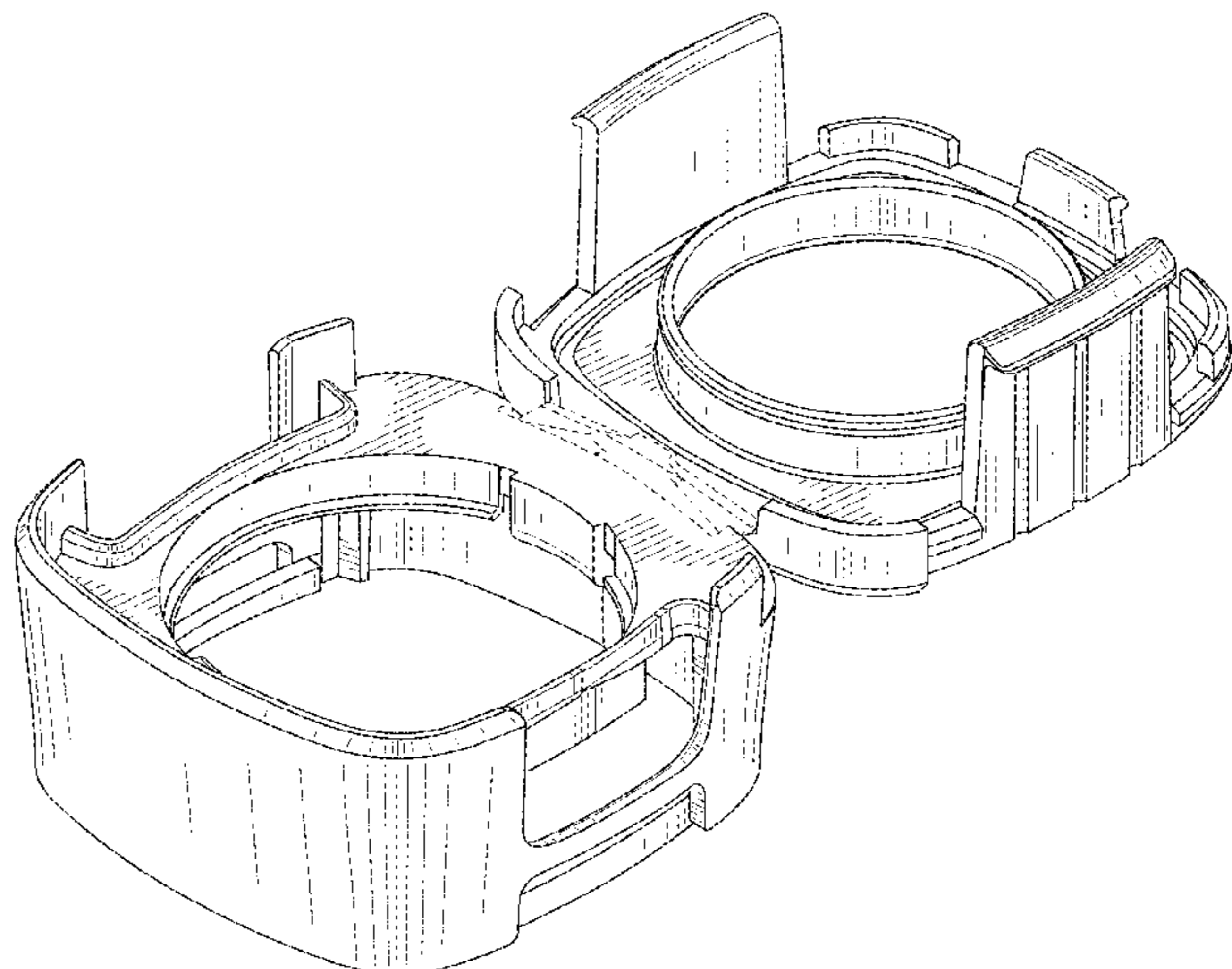
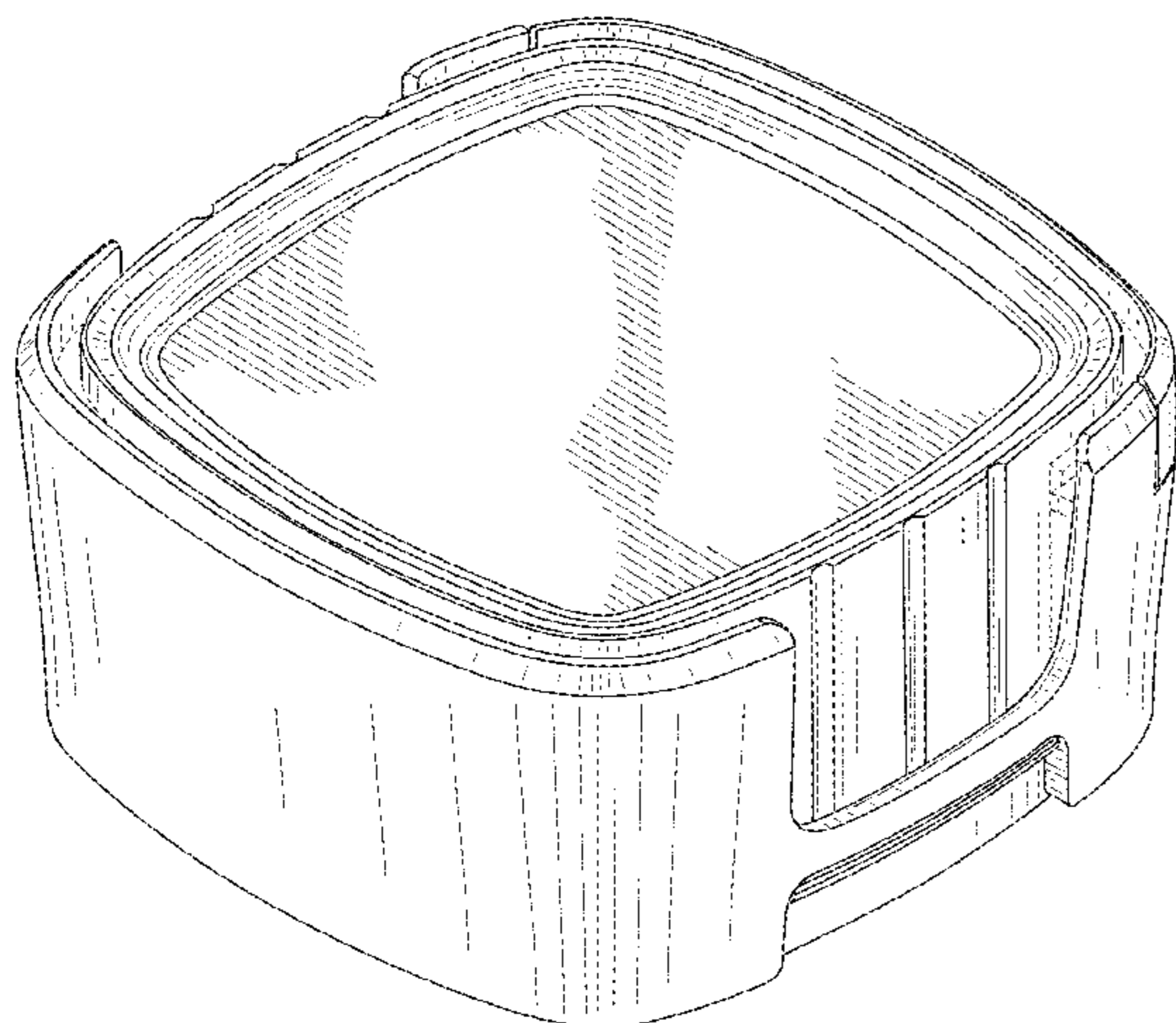
FIG. 12 is a left side view thereof;

FIG. 13 is a top view thereof; and,

FIG. 14 is a bottom view; thereof.

The broken lines illustrate the environmental structure and form no part of the claimed design.

**1 Claim, 11 Drawing Sheets**



(56)

References Cited

U.S. PATENT DOCUMENTS

4,098,430	A	7/1978	Mattheis et al.	7,665,611	B2	2/2010	Koch
4,133,449	A	1/1979	Ostrowsky	D613,495	S	4/2010	Foreman
4,412,625	A	11/1983	Zander	7,735,684	B2	6/2010	Coe et al.
4,420,083	A	12/1983	Baustin	D623,765	S	9/2010	Tomes et al.
4,456,145	A *	6/1984	Frank ..... H02G 3/14	7,878,350	B2	2/2011	Ramoundos
			220/242	D636,894	S	4/2011	Tomes et al.
4,494,665	A	1/1985	Lehmann	D637,428	S	5/2011	Yuyama et al.
4,564,124	A	1/1986	Burton	7,942,451	B2	5/2011	Adler
D318,015	S *	7/1991	DeCoster ..... D7/391	D639,669	S	6/2011	Adler et al.
5,193,032	A	3/1993	Hirth	7,980,391	B2	7/2011	Adler et al.
5,437,382	A	8/1995	Gluckman	D642,789	S	8/2011	Cooper
5,484,089	A	1/1996	Picerno	8,020,415	B2	9/2011	Corbin et al.
5,617,968	A *	4/1997	Luburic ..... B65D 43/0256	8,025,314	B2	9/2011	Adler
			220/266	8,056,724	B2	11/2011	Estep
5,657,894	A *	8/1997	Bowen ..... B65D 43/169	D650,912	S	12/2011	Tomes et al.
			220/254.3	D660,094	S *	5/2012	Kyung ..... D7/629
5,752,615	A	5/1998	Hofmann et al.	D664,350	S	7/2012	Corbin et al.
5,816,441	A	10/1998	Farside	8,281,929	B2	10/2012	Franks et al.
6,478,155	B2	11/2002	Bunyan	8,322,567	B2	12/2012	Giraud
D485,473	S *	1/2004	Dais ..... D7/629	D680,866	S *	4/2013	Golota ..... D9/435
D487,342	S *	3/2004	Yewdall ..... D3/203.2	D684,354	S	6/2013	Boggeano
D490,707	S	6/2004	Mataya	8,631,935	B2	1/2014	Tomes et al.
D506,608	S *	6/2005	Dong ..... B65D 25/32	8,665,584	B2	3/2014	Pence
			D3/276	8,678,189	B2	3/2014	Niggel et al.
D512,830	S	12/2005	Higgins	8,689,978	B2	4/2014	Flood et al.
D514,441	S *	2/2006	Snedden ..... D9/418	8,727,122	B2	5/2014	Jacquet et al.
7,100,797	B2	9/2006	Kahn et al.	8,746,452	B2	6/2014	Tomes et al.
D540,179	S	4/2007	Adler et al.	8,746,455	B2	6/2014	Chia et al.
D540,690	S	4/2007	Adler et al.	8,752,705	B2	6/2014	Adler et al.
D542,661	S	5/2007	Adler et al.	8,814,216	B2	8/2014	Estep
D552,468	S	10/2007	Seum et al.	2004/0089581	A1	5/2004	Dienst
7,311,205	B2	12/2007	Adler et al.	2006/0266750	A1 *	11/2006	Lesquir ..... B65D 43/0256
D572,593	S	7/2008	Adler et al.				220/276
D574,717	S	8/2008	Adler et al.	2007/0170185	A1	7/2007	Hanssen et al.
7,413,082	B2	8/2008	Adler et al.	2009/0140513	A1	6/2009	Priebe et al.
D576,876	S *	9/2008	Mount ..... D9/449	2009/0173738	A1 *	7/2009	Golota ..... B65D 43/0249
D581,275	S	11/2008	Adler et al.				220/265
D583,242	S	12/2008	Adler et al.	2010/0311026	A1	12/2010	Tomes et al.
D594,336	S	6/2009	Adler	2012/0017790	A1	1/2012	Adler
D597,841	S	8/2009	Adler et al.	2012/0164283	A1 *	6/2012	Kissner ..... B65D 43/0212
D603,168	S *	11/2009	Melhede ..... D3/318				426/112
D604,502	S	11/2009	Lee et al.	2013/0021878	A1	1/2013	Harris
D606,737	S	12/2009	Lee et al.	2013/0284636	A1	10/2013	Zhang
7,628,427	B2	12/2009	Adler et al.	2016/0000271	A1 *	1/2016	Park ..... B65D 81/2038
D609,819	S	2/2010	Tomes et al.				220/203.29
7,661,533	B2	2/2010	Adler et al.	2016/0101892	A1 *	4/2016	Wichmann ..... B65D 43/0212
							220/270

\* cited by examiner



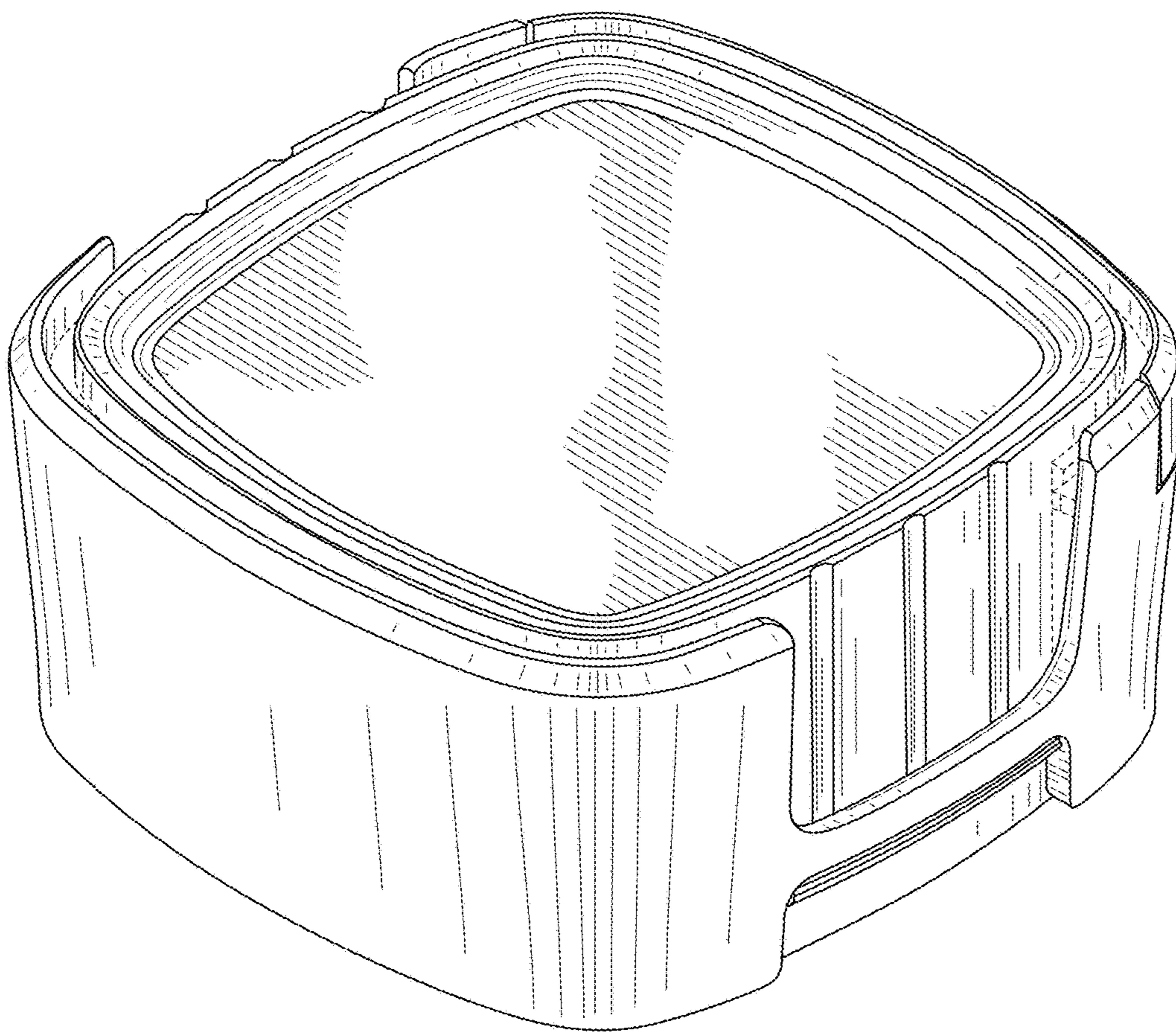


FIG. 1

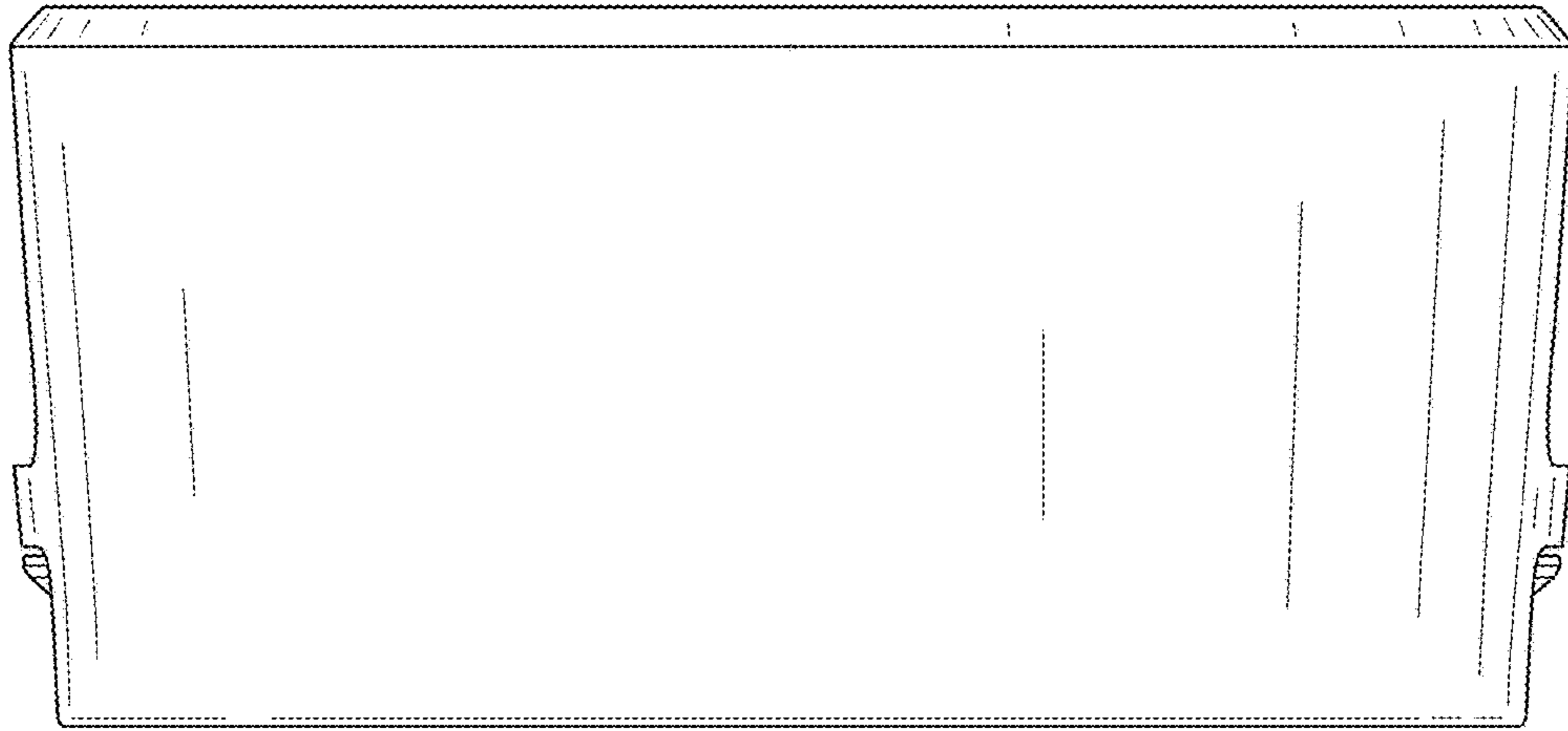


FIG. 2

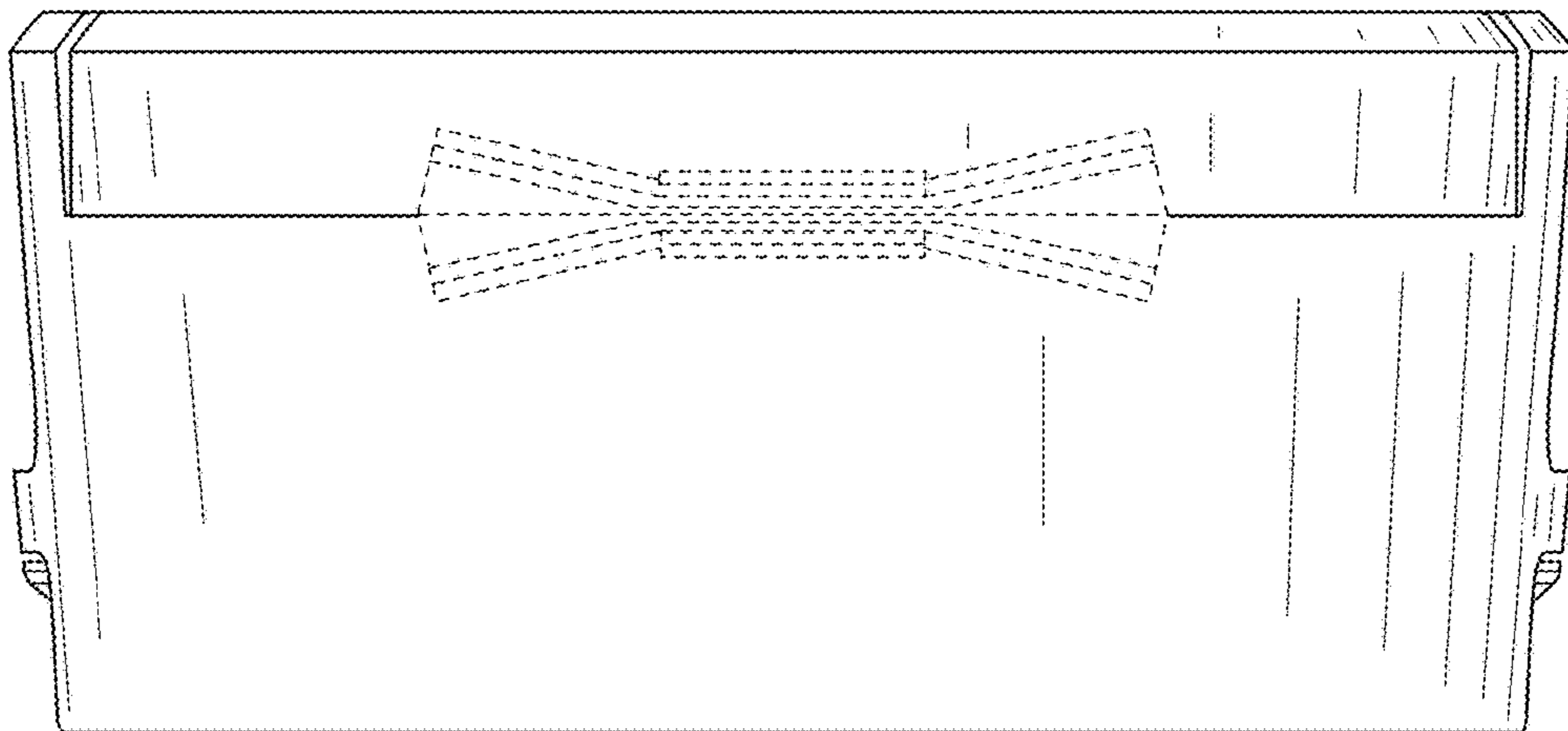


FIG. 3

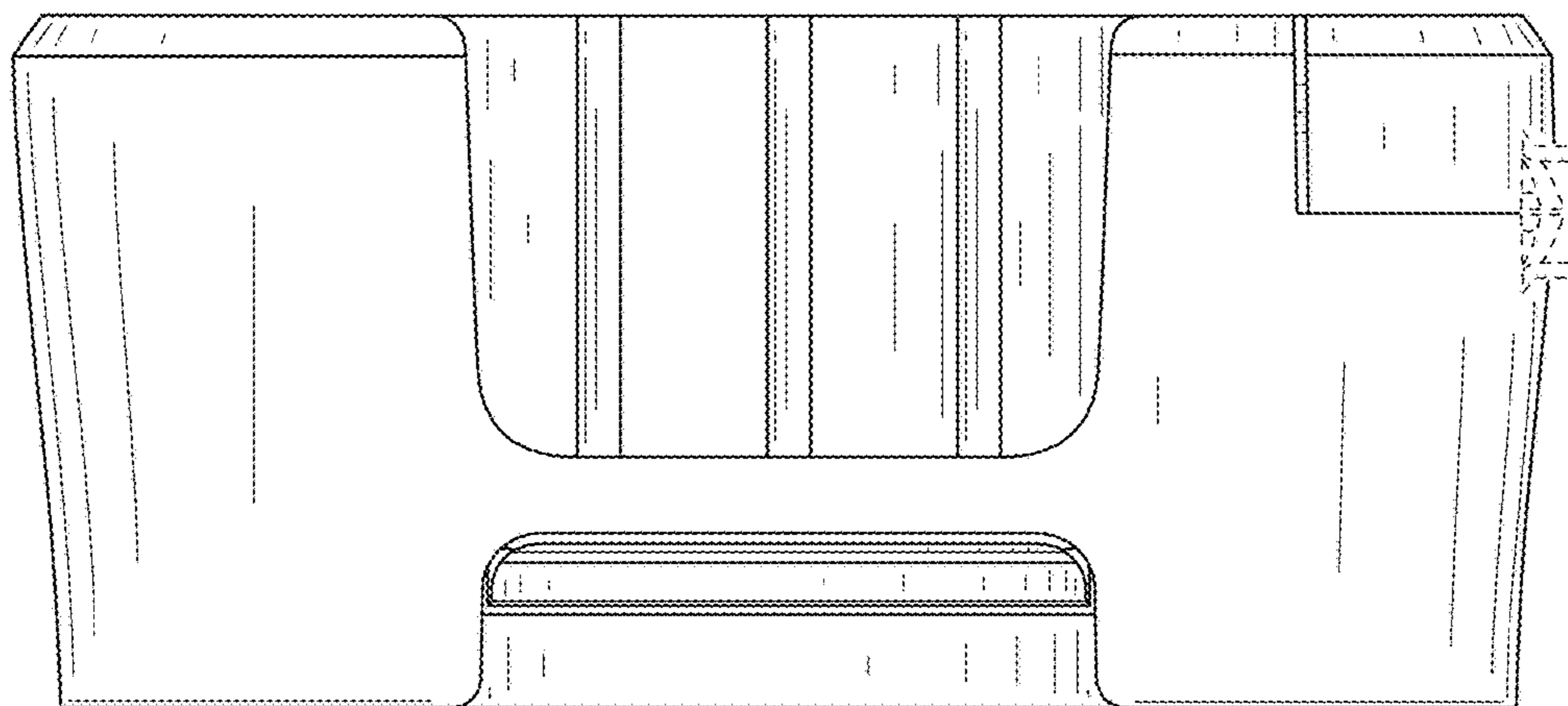


FIG. 4

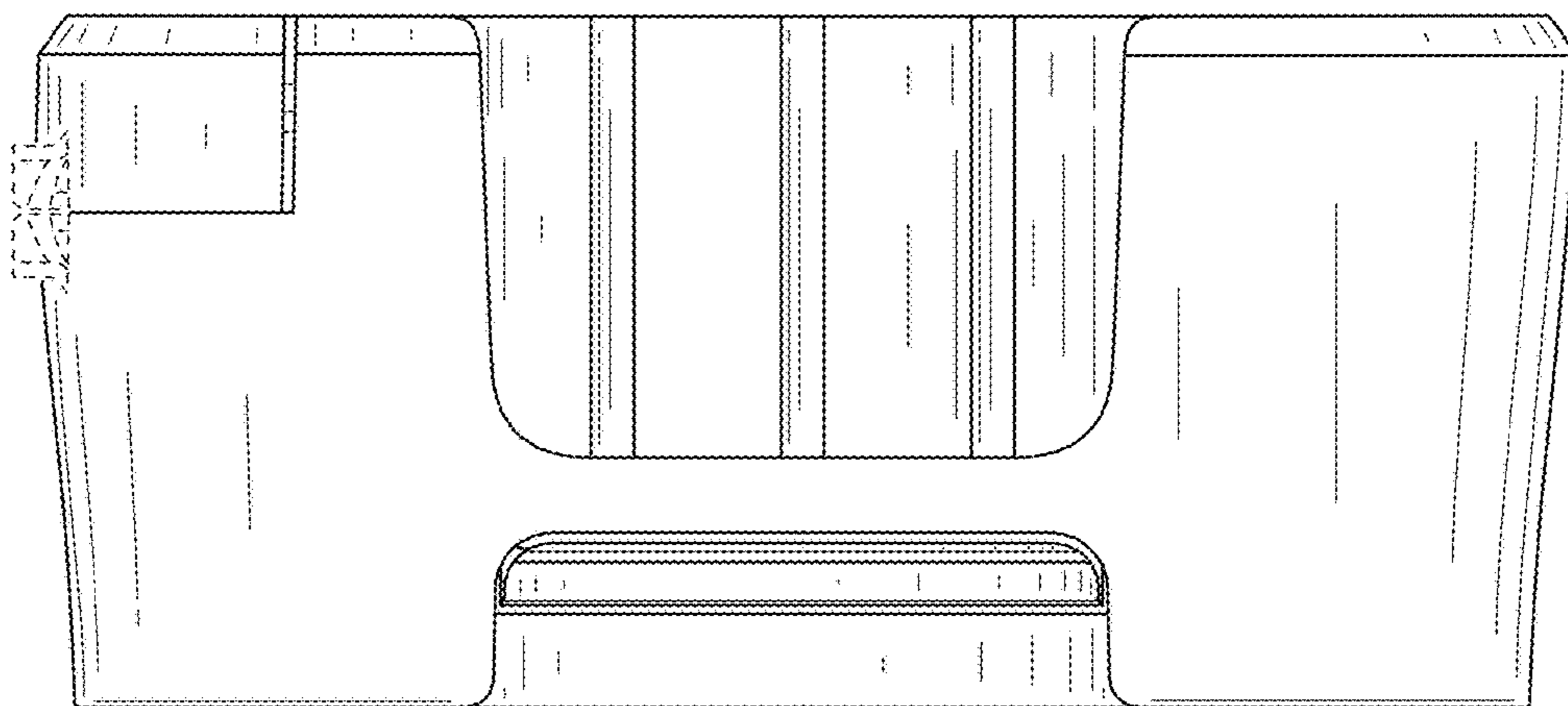


FIG. 5

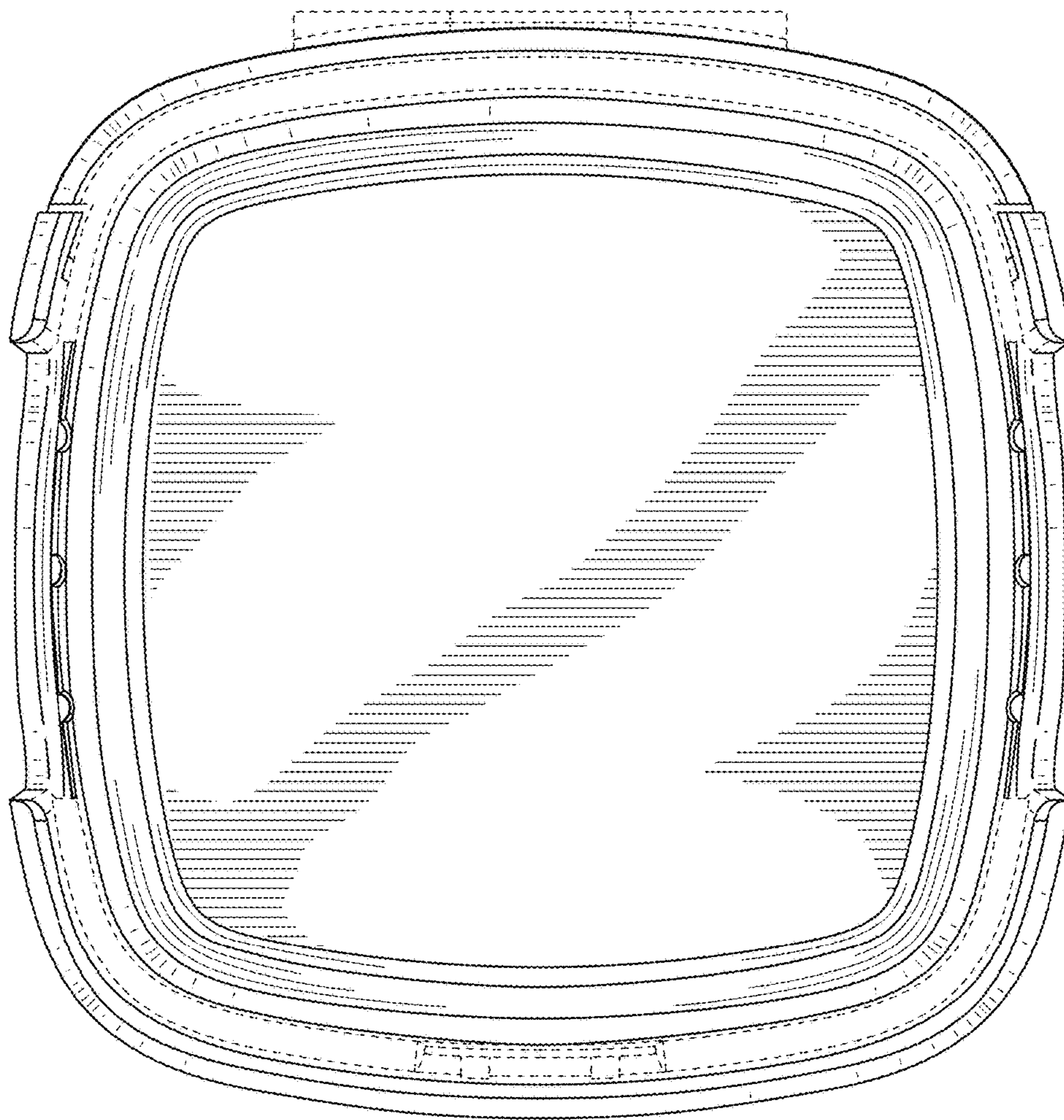


FIG. 6



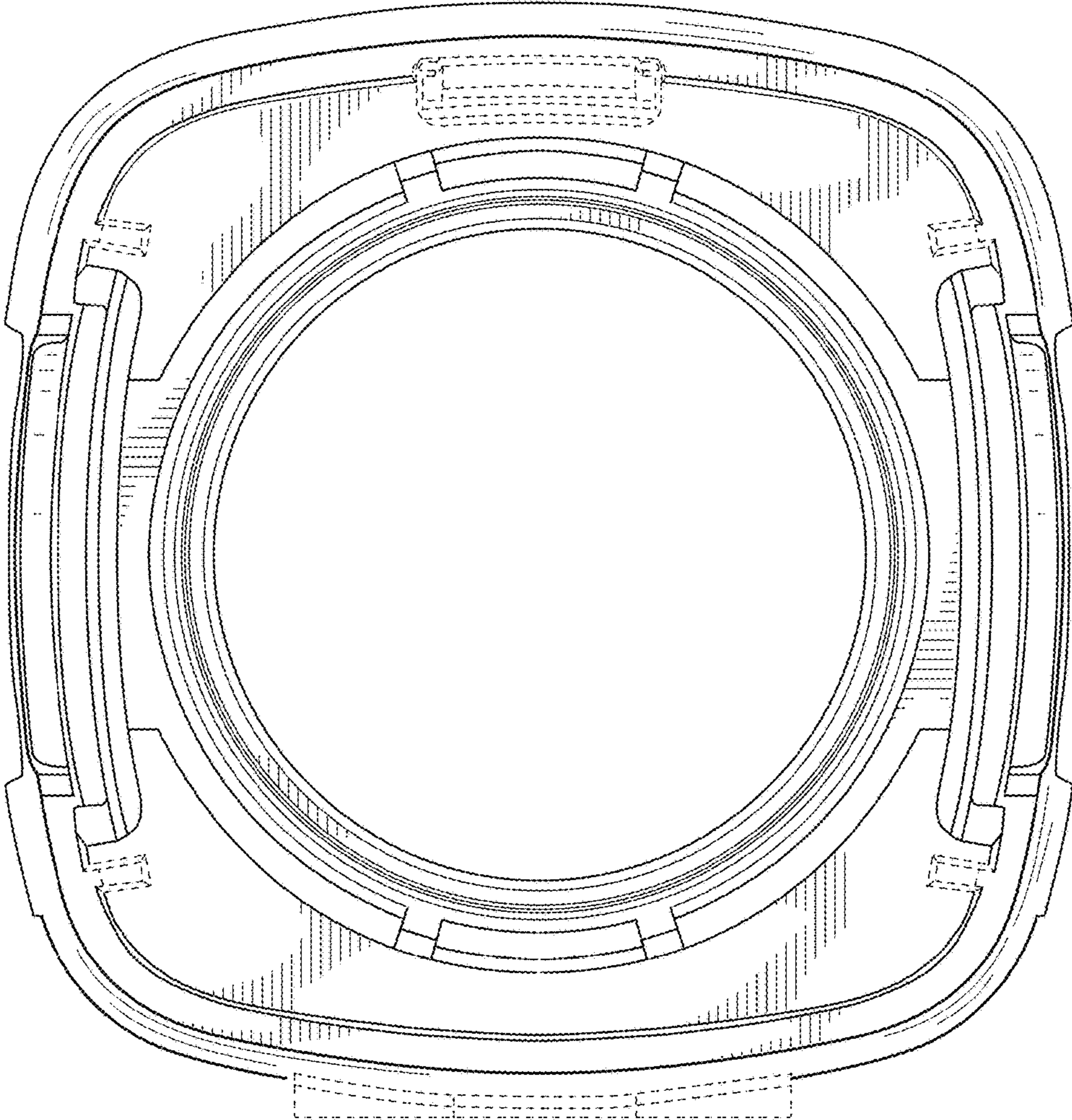


FIG. 7

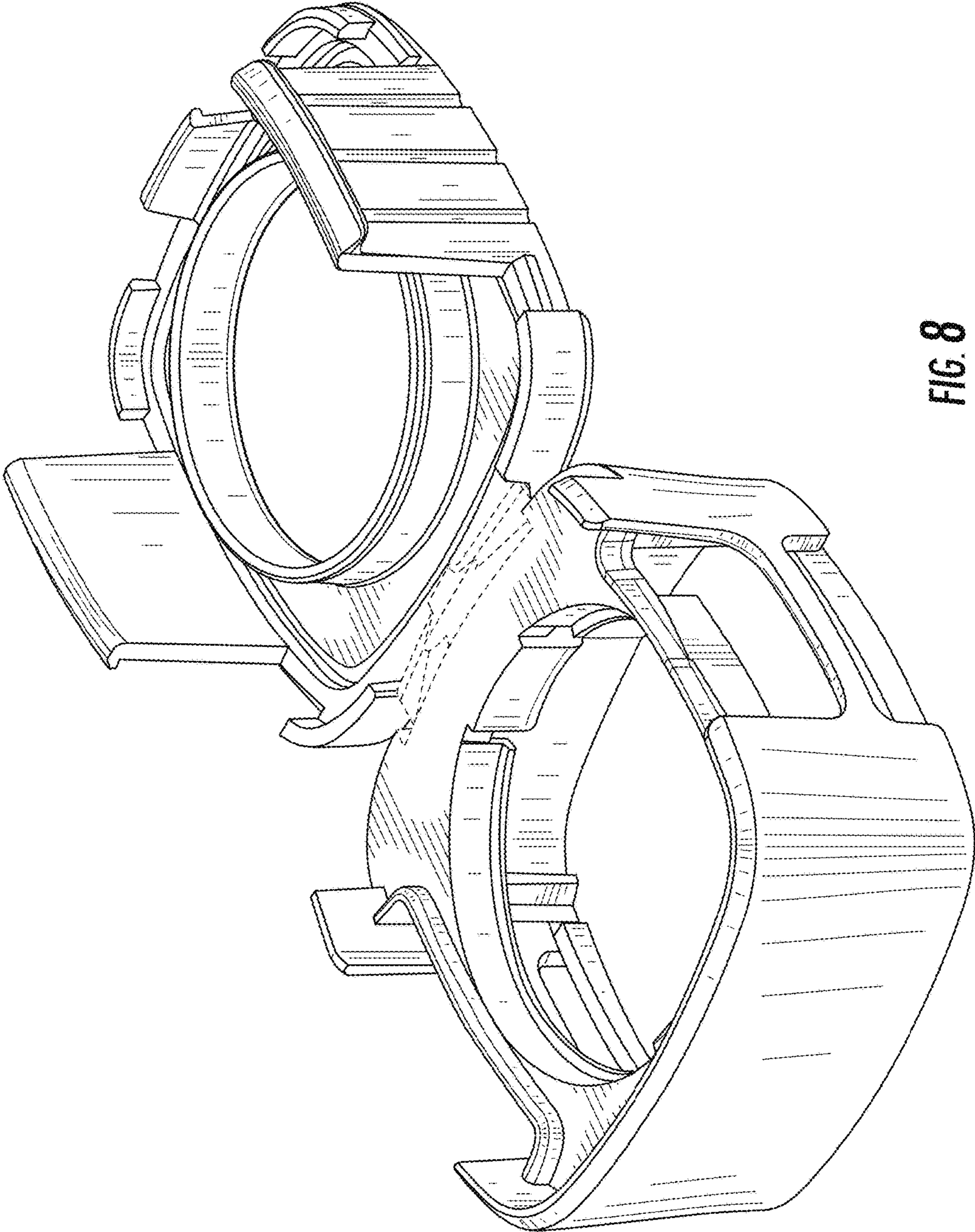


FIG. 8



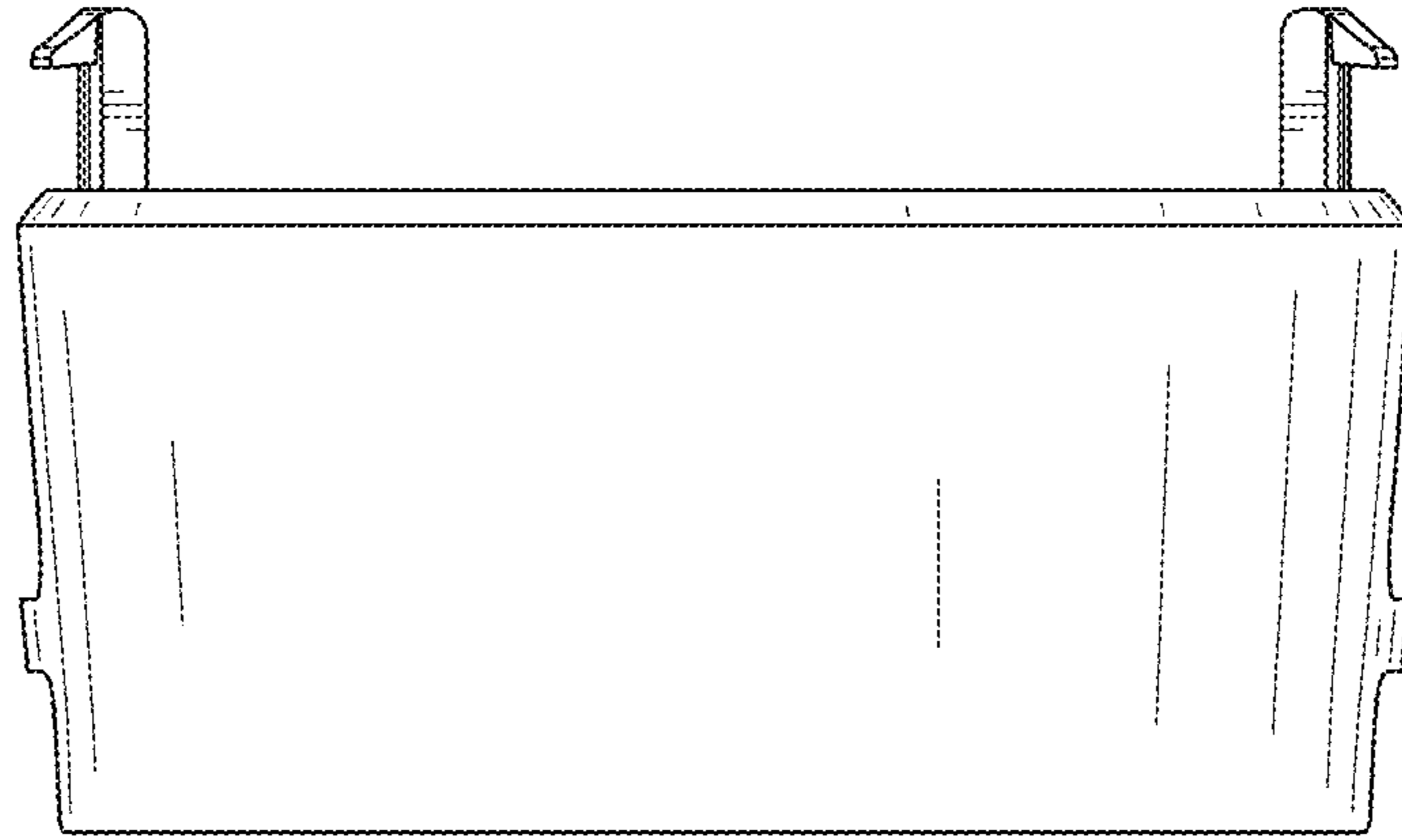


FIG. 9

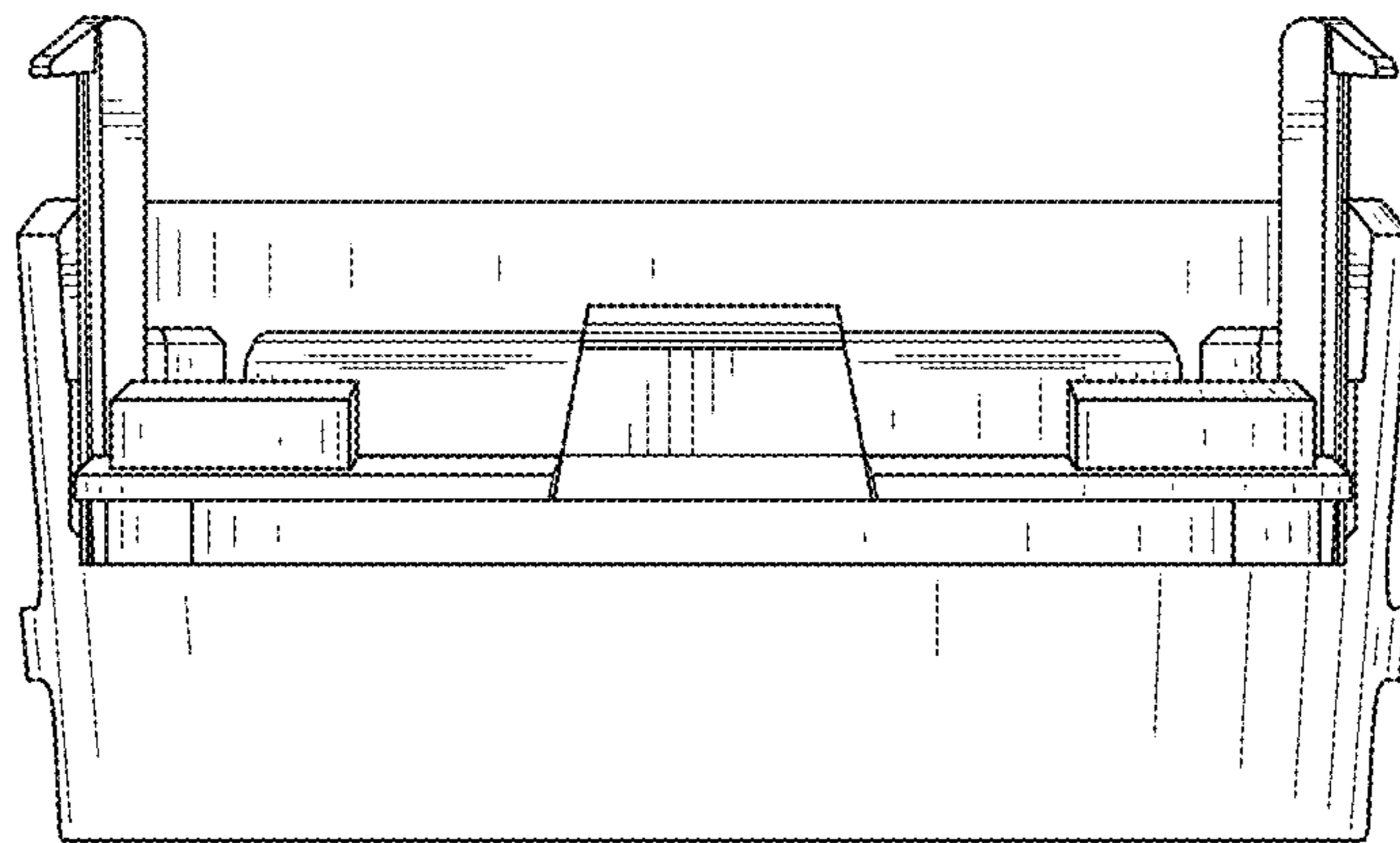


FIG. 10

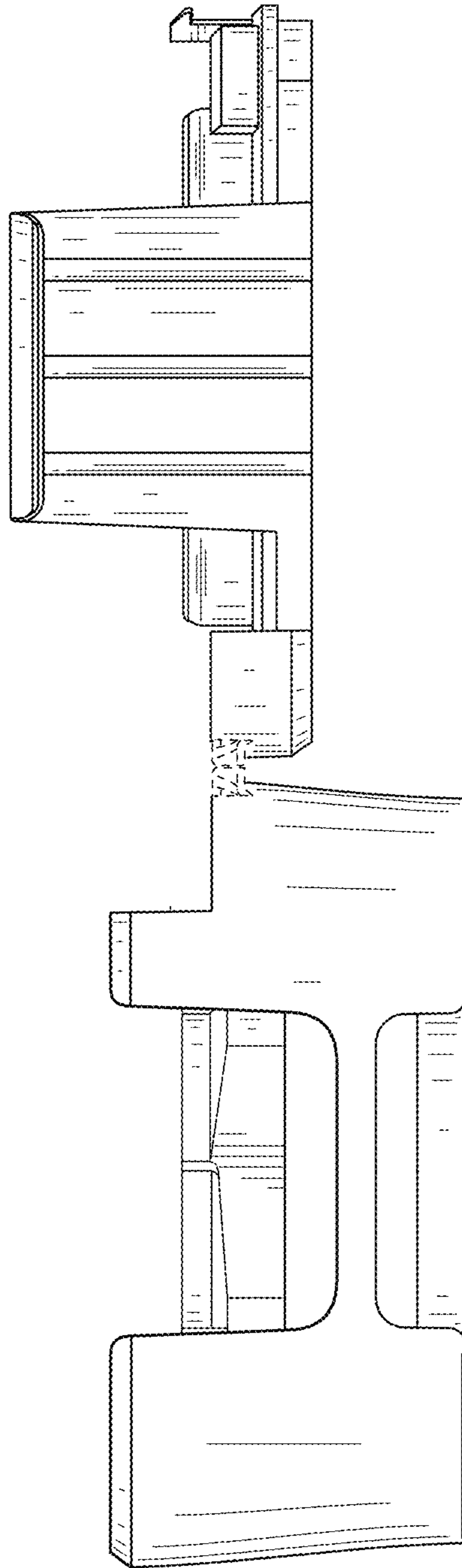


FIG. 17

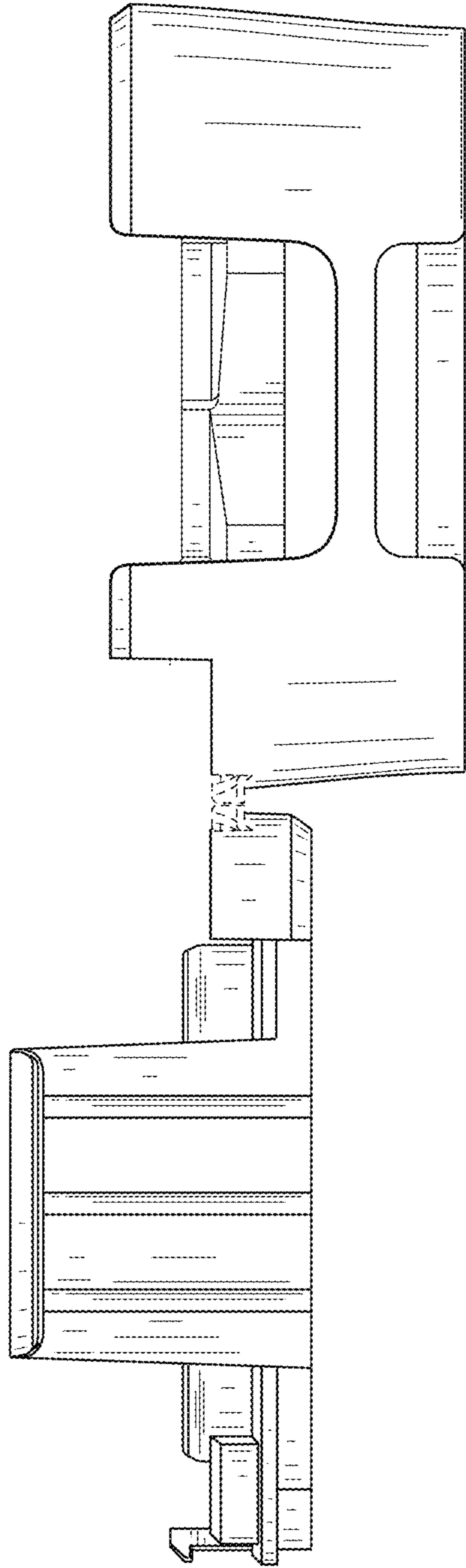


FIG. 12



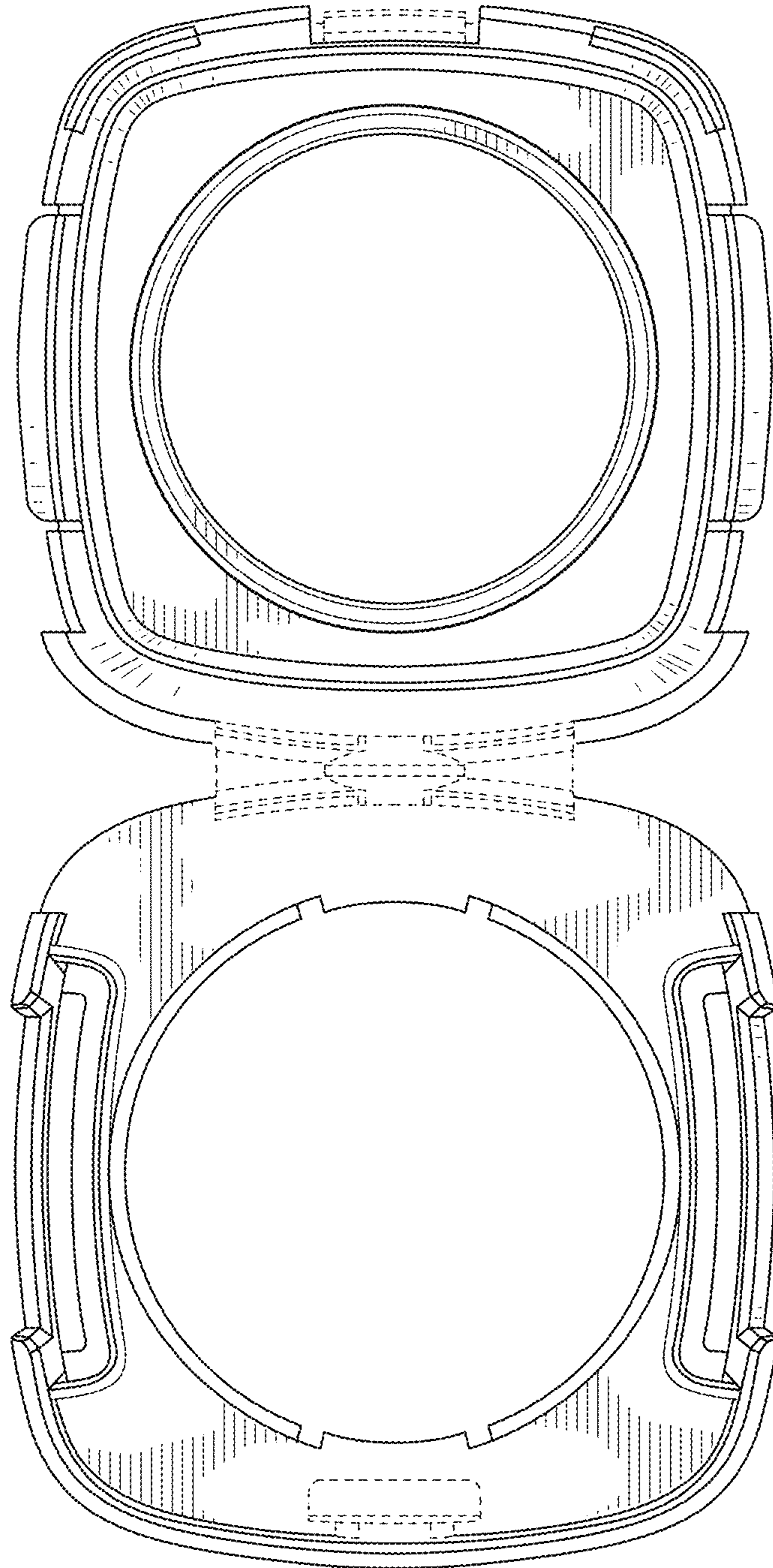


FIG. 13

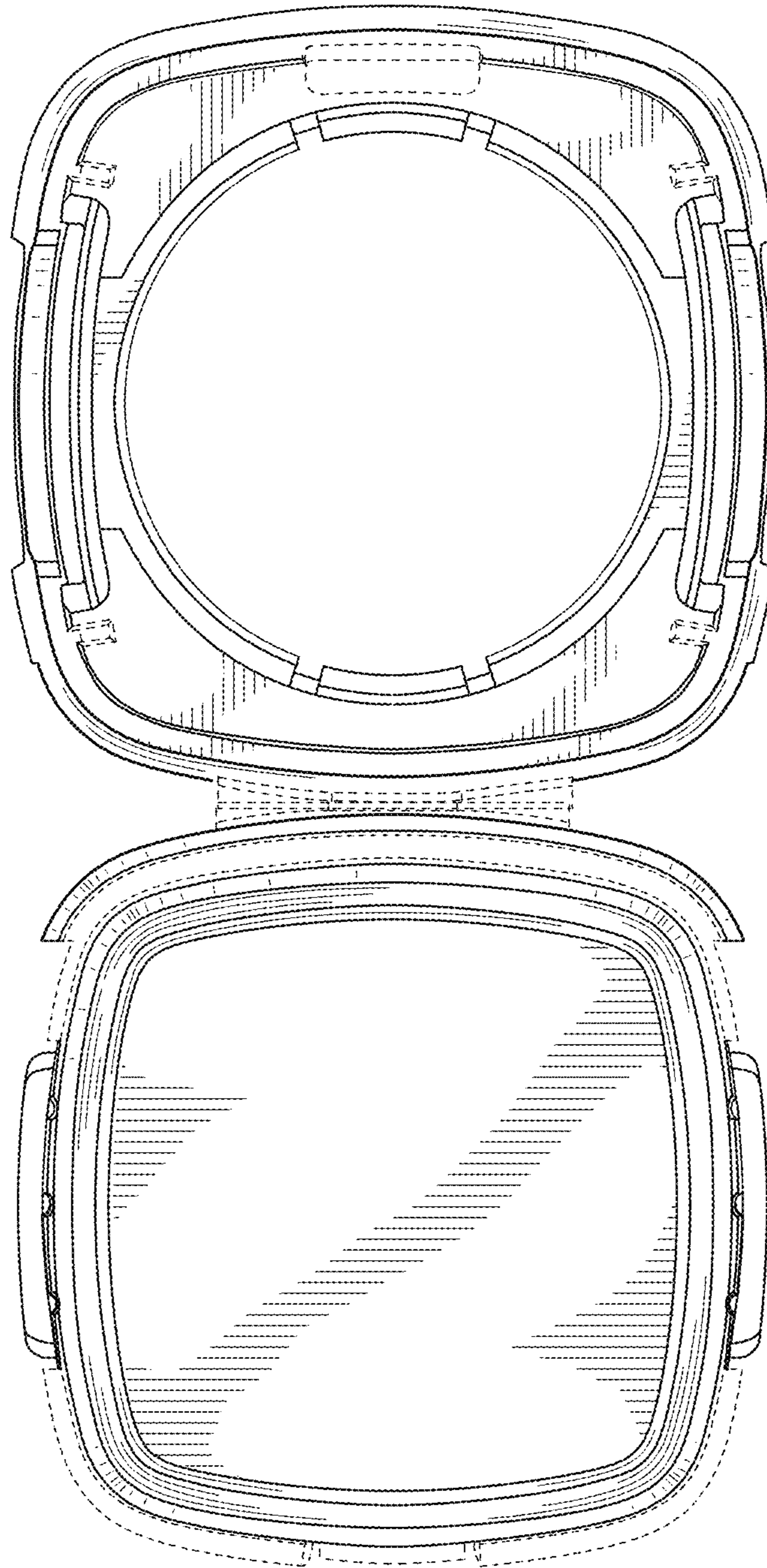


FIG. 14