



US00D786672S

(12) **United States Design Patent** (10) **Patent No.:** **US D786,672 S**  
**van Spronsen et al.** (45) **Date of Patent:** **\*\* May 16, 2017**

(54) **CAP** 3,356,244 A \* 12/1967 Wittchell ..... B65D 1/0238  
215/49  
(71) Applicant: **IPN IP B.V.**, Houten (NL) D249,452 S \* 9/1978 Gendron ..... D8/40  
4,569,456 A \* 2/1986 Weiler ..... B65D 41/58  
215/251  
(72) Inventors: **Frederik Adriaan van Spronsen**,  
Geldrop (NL); **Peter-Jan van der**  
**Molen**, The Hague (NL) D329,980 S 10/1992 Powell et al.  
D339,274 S \* 9/1993 Alpers ..... D8/43  
D342,448 S \* 12/1993 Ritcey ..... D9/435  
D351,793 S \* 10/1994 Stoller ..... D9/443  
(73) Assignee: **IPN IP B.V.**, Houten (NL)  
(\*\*) Term: **15 Years**  
(21) Appl. No.: **29/553,220**  
(22) Filed: **Jan. 29, 2016**  
(30) **Foreign Application Priority Data**

Oct. 16, 2015 (EM) ..... 002811919-0001  
(51) **LOC (10) Cl.** ..... **09-07**  
(52) **U.S. Cl.**  
USPC ..... **D9/443**  
(58) **Field of Classification Search**  
USPC ..... D9/414, 415, 420, 426, 428, 429, 434,  
D9/435, 443-450, 452-457, 499, 682,  
D9/685, 686; D7/387, 392, 392.1, 393,  
D7/395, 396.2, 396.3, 396.4, 401.1, 507,  
D7/509-511, 538, 900; D3/202, 203.2,  
D3/318; D28/91.1; D4/138; D6/580;  
D8/107, 300, 321, 322; D32/35, 40  
CPC .. A61J 1/00; A61J 1/1412; B65D 1/00; B65D  
1/02; B65D 1/10; B65D 1/46; B65D  
2585/56; B65D 41/00; B65D 41/38;  
B65D 41/56; B65D 41/62; B65D 47/00;  
B65D 47/06; B65D 47/08; B65D  
2543/00046; B65D 2543/00092; B65D  
2543/00296; B65D 5/46; B65D 2251/00  
See application file for complete search history.

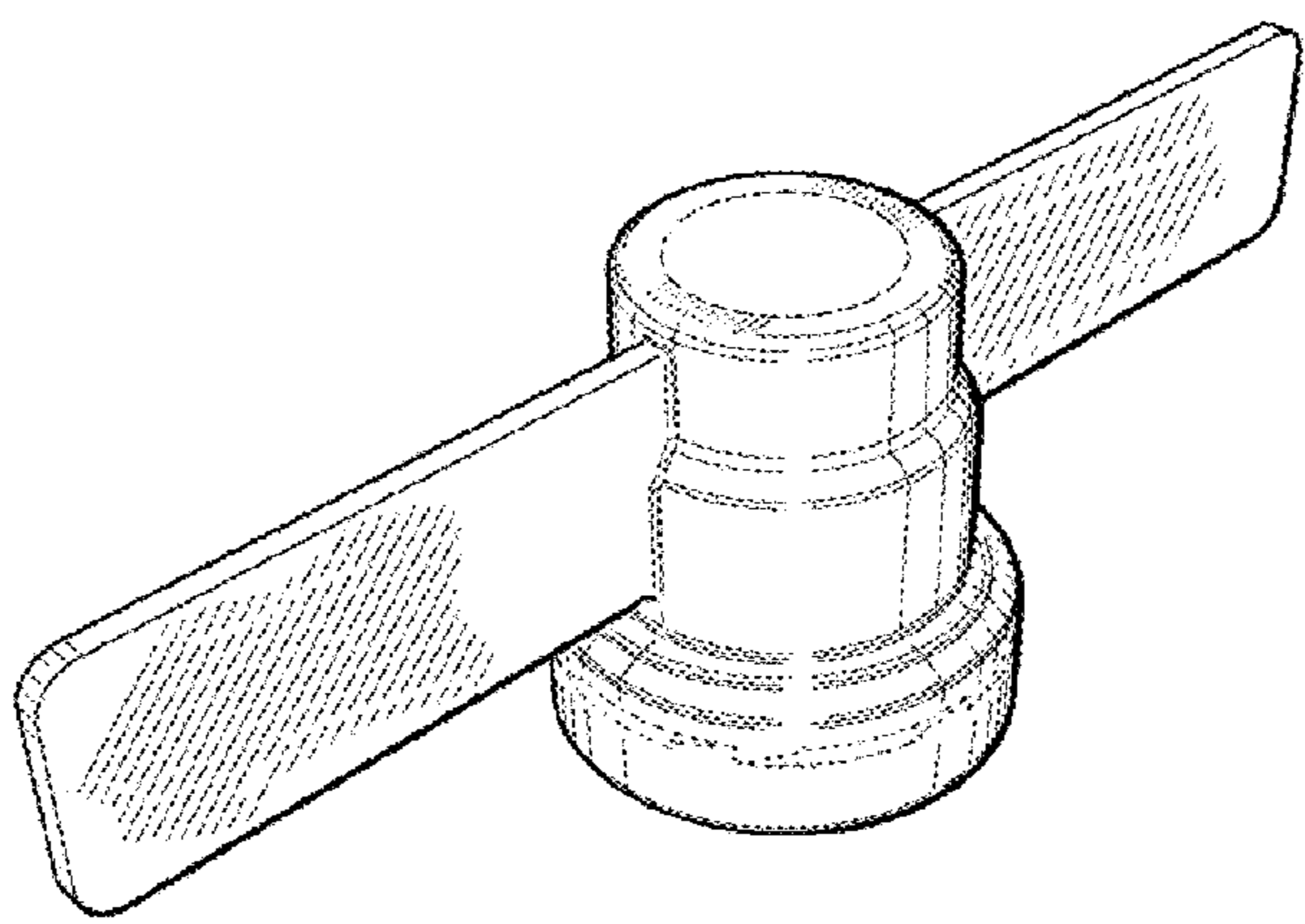
(56) **References Cited**  
U.S. PATENT DOCUMENTS  
D129,167 S \* 8/1941 Grunberg ..... D9/673  
3,045,860 A \* 7/1962 Desgagne ..... B65D 51/04  
220/254.3

FOREIGN PATENT DOCUMENTS  
EM 001841016-0001 A1 9/2012  
WO 2013053651 A1 4/2013  
*Primary Examiner* — Karen S Acker  
*Assistant Examiner* — Wendy Arminio  
(74) *Attorney, Agent, or Firm* — Troutman Sanders, LLP;  
Ryan A. Schneider

(57) **CLAIM**  
The ornamental design for a cap, as shown and described.

**DESCRIPTION**  
FIG. 1 is a perspective view of a cap of the present invention;  
FIG. 2 is another perspective view of the cap of FIG. 1;  
FIG. 3 is a front view of the cap of FIG. 1, the back being a mirror image thereof;  
FIG. 4 is another perspective view of the cap of FIG. 1;  
FIG. 5 is another perspective view of the cap of FIG. 1;  
FIG. 6 is a top view of the cap of FIG. 1; and,  
FIG. 7 is a side view of the cap of FIG. 1, the other side being a mirror image thereof.  
The broken lines and the area within the broken lines depict portions of the cap that form no part of the claimed design.

**1 Claim, 7 Drawing Sheets**



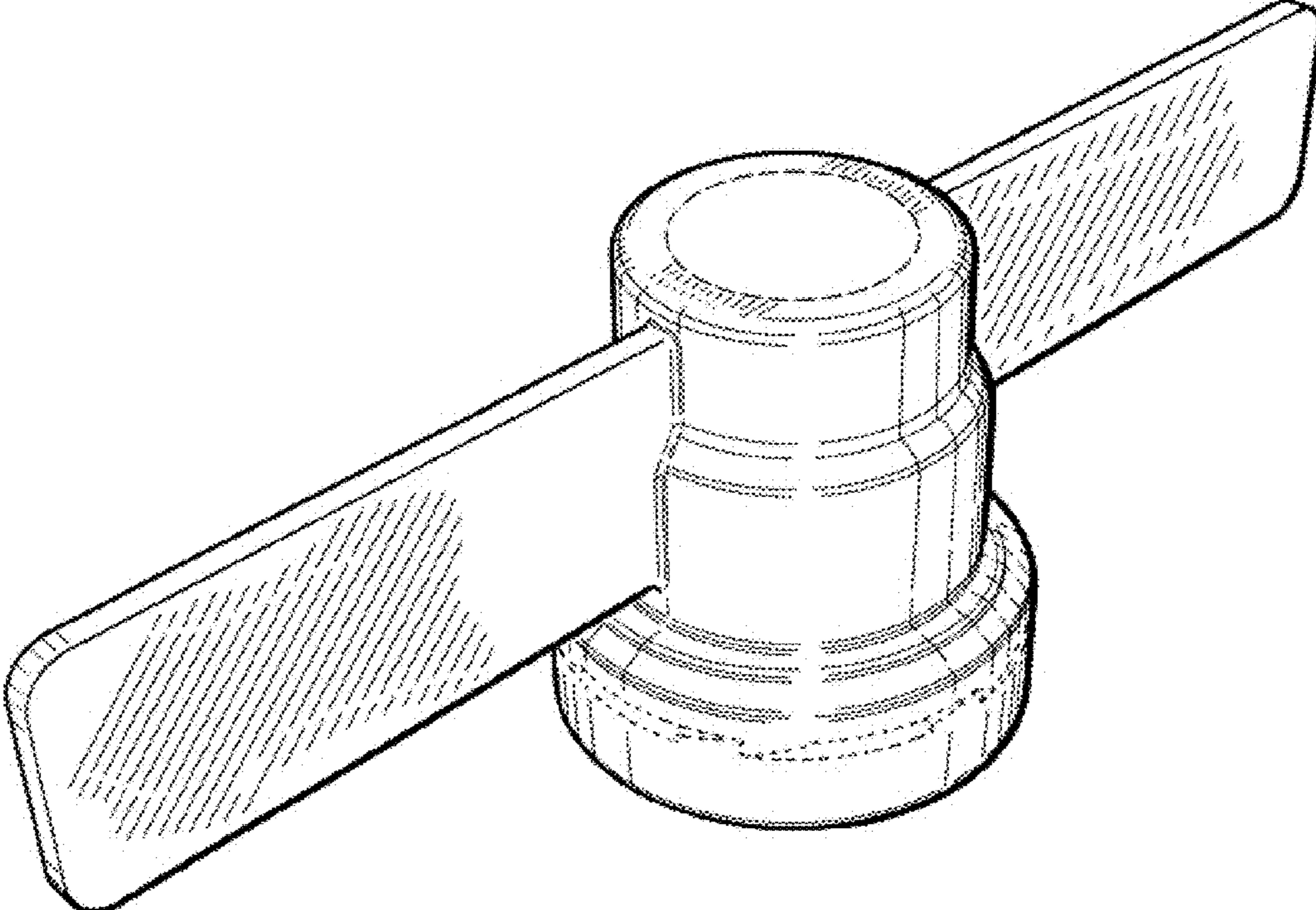
(56)

**References Cited**

U.S. PATENT DOCUMENTS

D380,387 S	*	7/1997	Weiler .....	D9/520
D411,451 S		6/1999	Young	
D426,769 S	*	6/2000	Chan .....	D9/673
D451,337 S		12/2001	Sum	
D640,553 S	*	6/2011	Eiteljorg .....	D9/443
D672,217 S	*	12/2012	Bartz .....	D8/38
D682,693 S		5/2013	Cocuzzi	
D704,058 S	*	5/2014	Last .....	D9/443

\* cited by examiner



**FIG. 1**

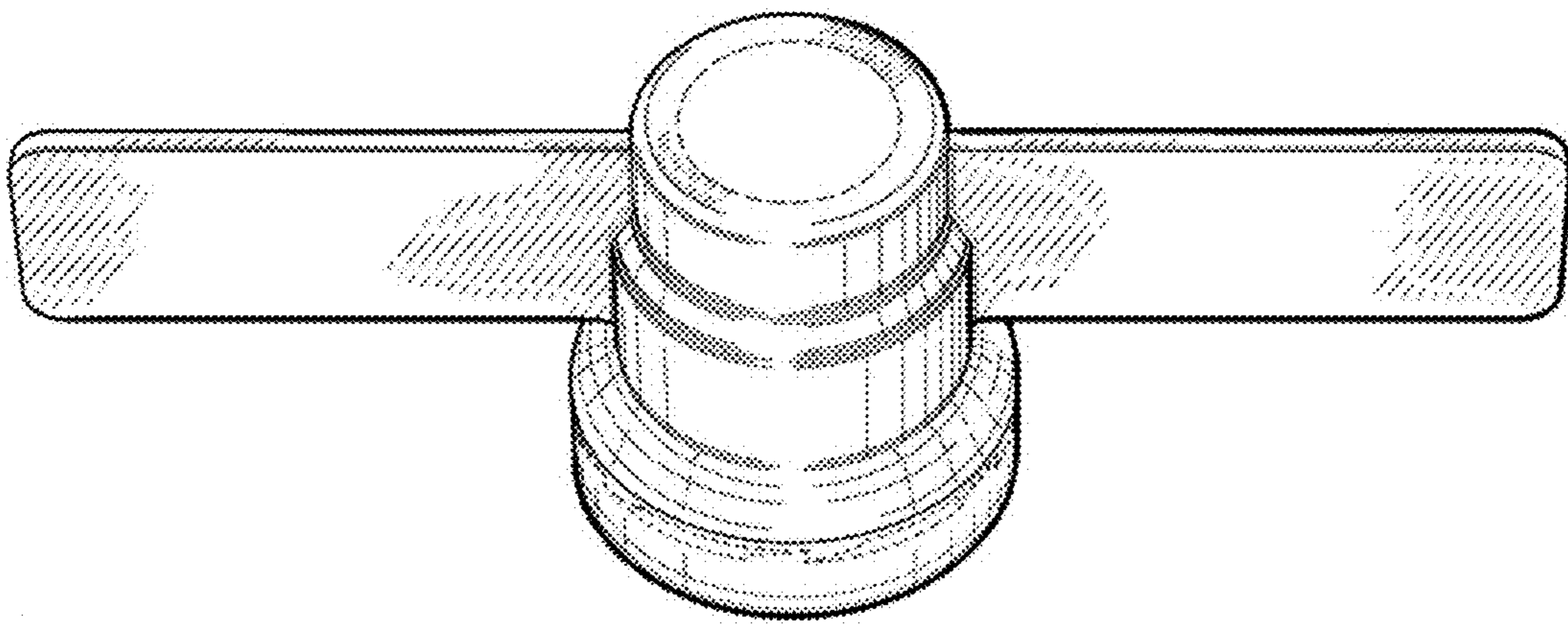
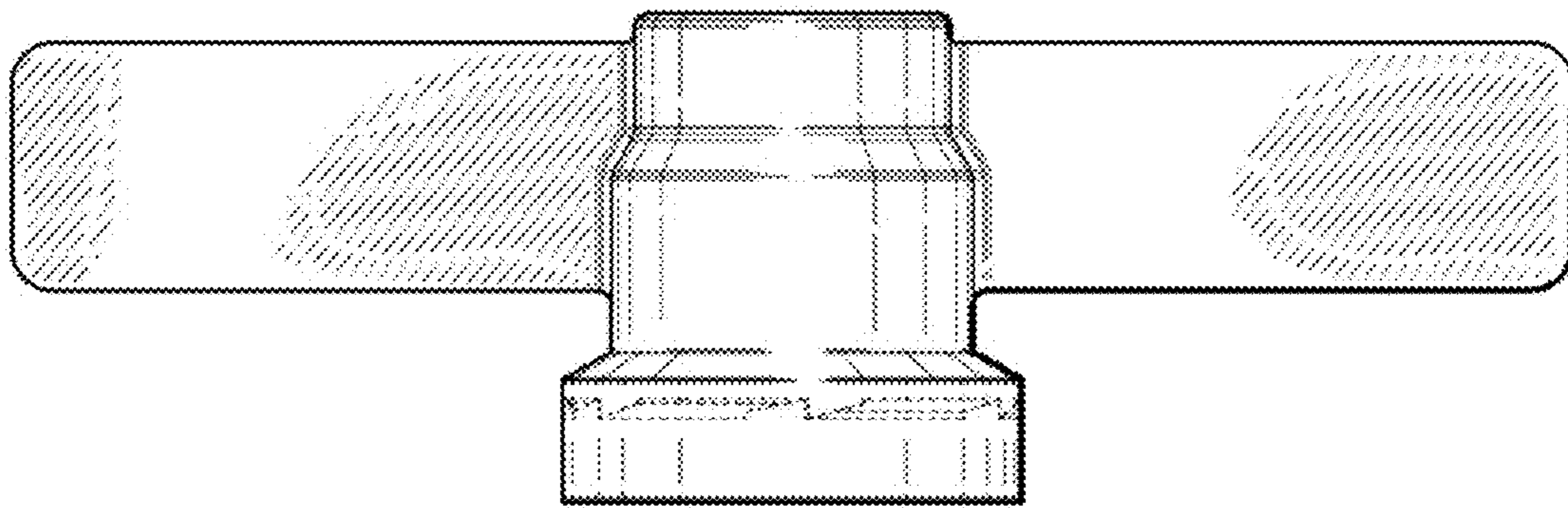
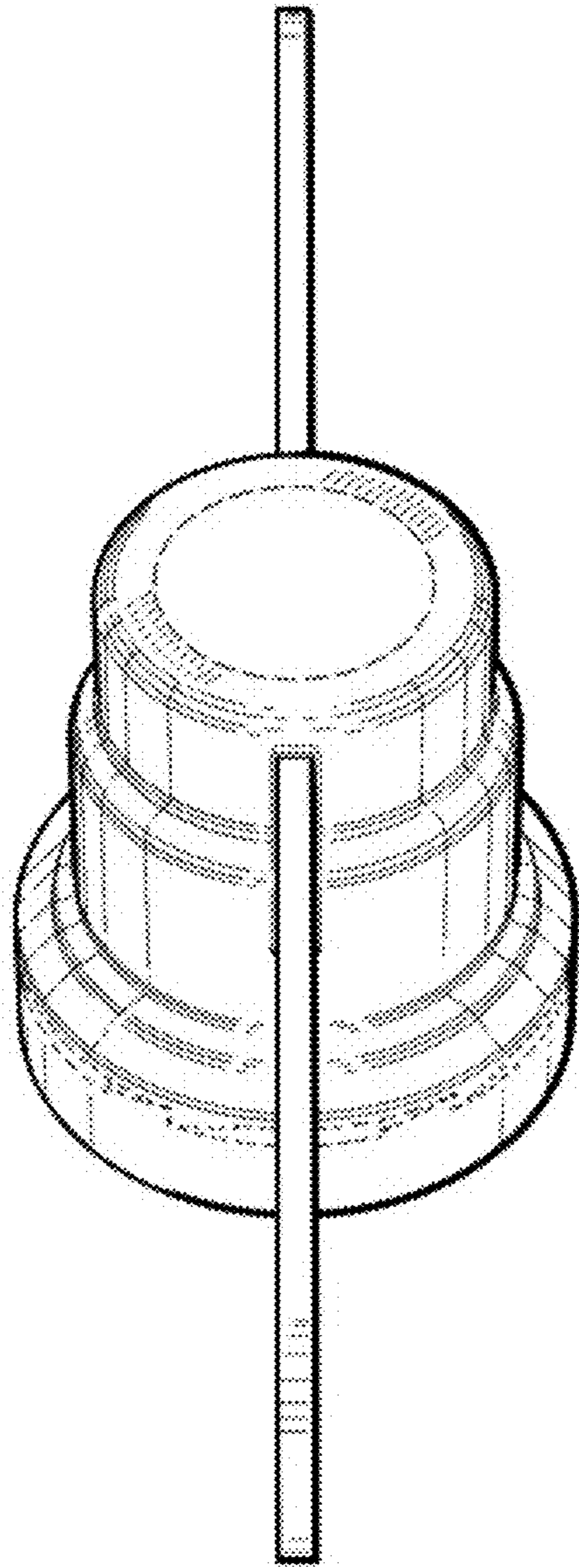


FIG. 2

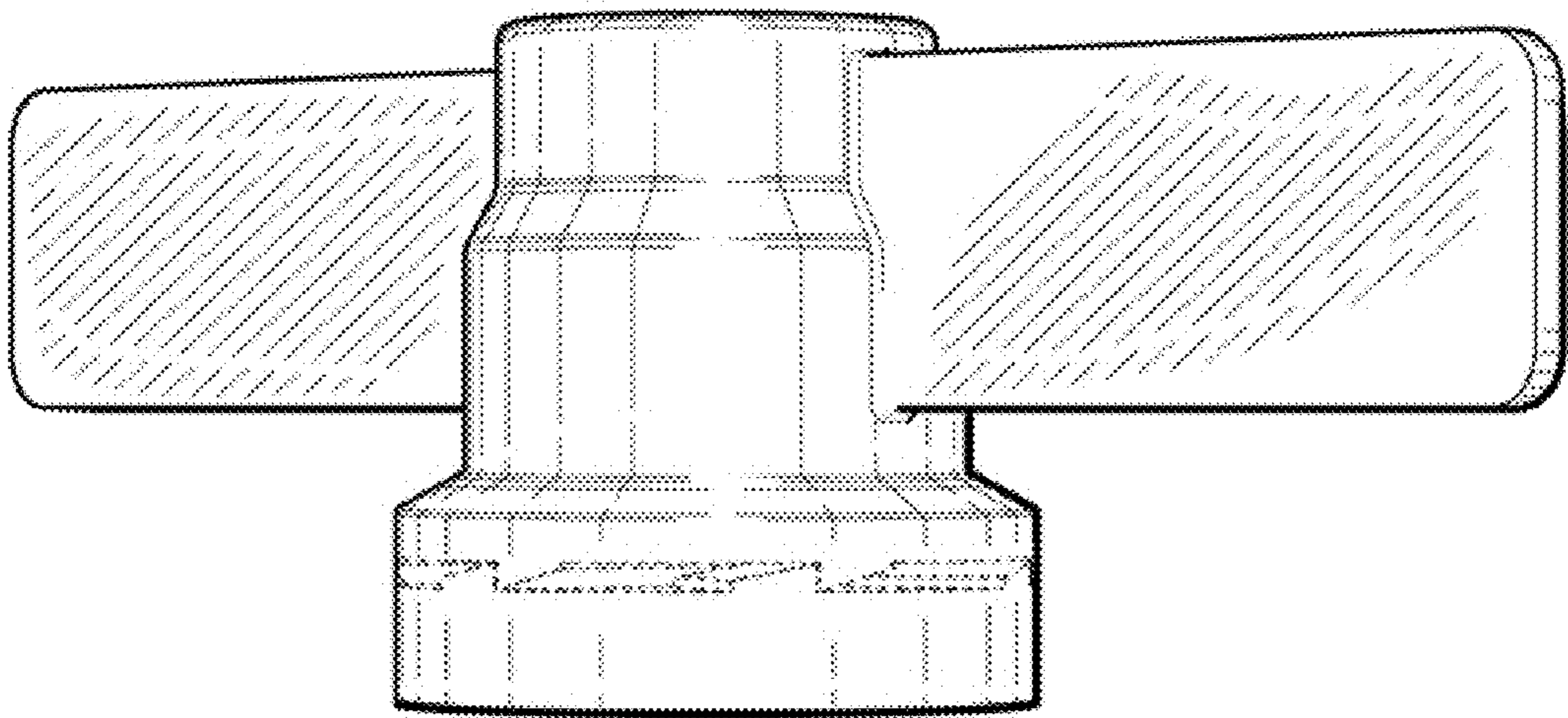


**FIG. 3**





**FIG. 4**



**FIG. 5**

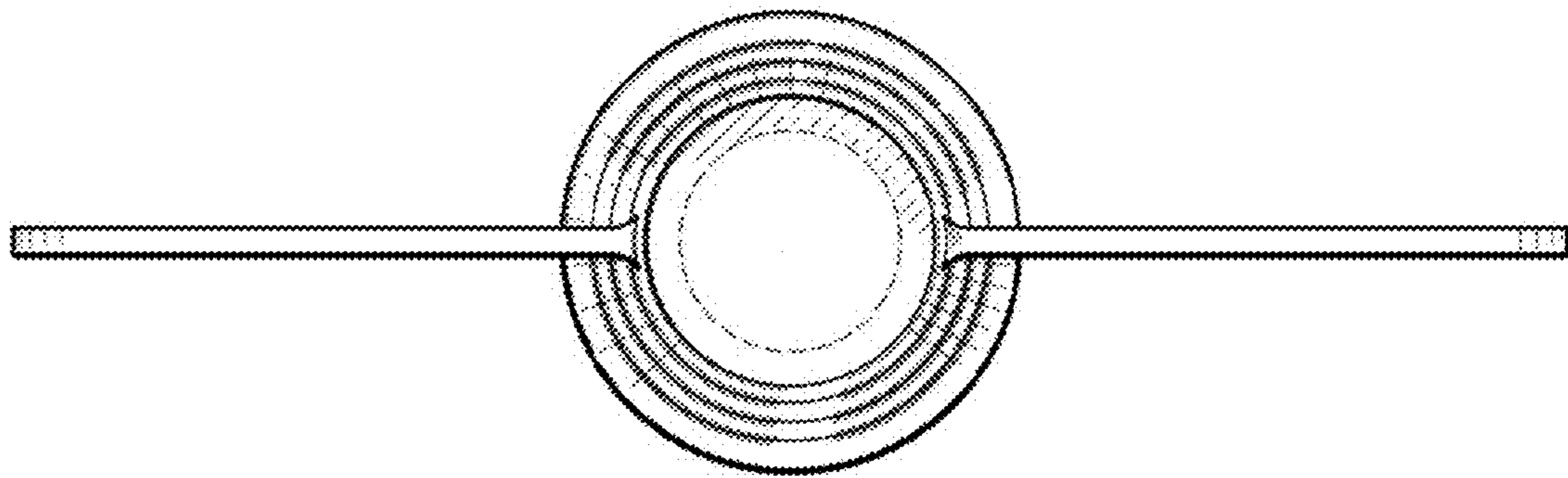


FIG. 6



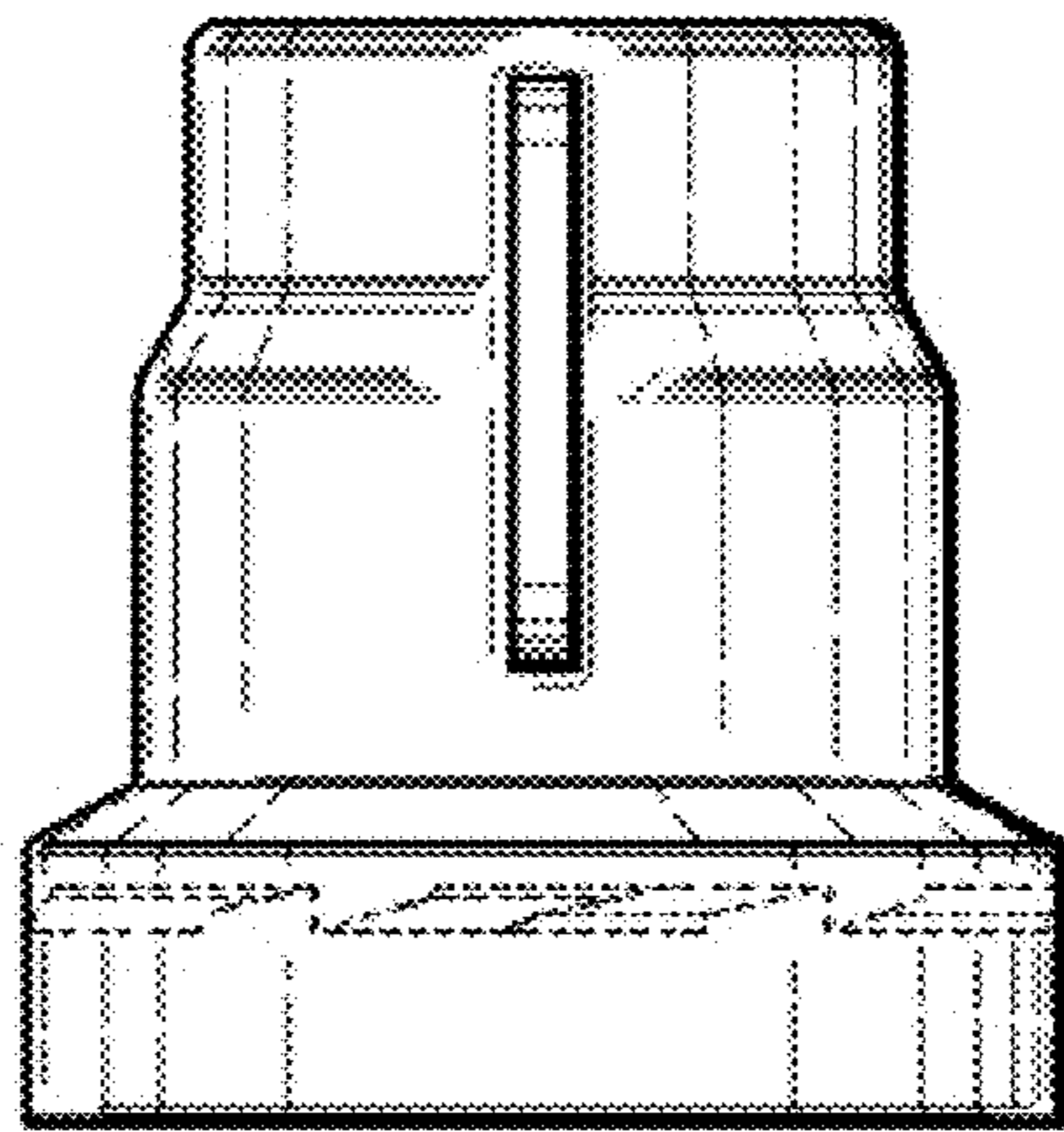


FIG. 7