



US00D786671S

(12) **United States Design Patent** (10) **Patent No.:** **US D786,671 S**
Khetarpaul et al. (45) **Date of Patent:** **** May 16, 2017**

(54) **BOTTLE CAP**

(71) Applicant: **Société des Produits Nestlé S.A.**,
Vevey (CH)

(72) Inventors: **Smeeta Khetarpaul**, Pelham, NY (US);
Laetitia Alexant, White Plains, NY
(US); **Andrius Dapkus**, Ridgefield, CT
(US); **Matthew Gorman**, Ridgefield,
CT (US); **Timothy James**, Brooklyn,
NY (US); **Tyler Maiman**, Melville, NY
(US)

(73) Assignee: **SOCIETE DES PRODUITS NESTLE**
S.A., Vevey (CH)

(**) Term: **15 Years**

(21) Appl. No.: **29/546,010**

(22) Filed: **Nov. 18, 2015**

(51) **LOC (10) Cl.** **09-07**

(52) **U.S. Cl.**
USPC **D9/443; D7/394**

(58) **Field of Classification Search**
USPC D3/10, 202, 203.1, 203.2, 273, 275, 291,
D3/294, 318; D4/127, 129; D7/300,
D7/300.1, 313, 316, 317, 318, 387, 391,
D7/392.1, 393, 394, 396.2, 398, 402, 503,
D7/505, 507, 509, 510, 511, 513,
D7/523-531, 533, 538, 541, 542, 549,
D7/590, 605, 608, 629, 672, 703, 900;
D8/300, 302, 303, 306, 307, 308, 310,
D8/315, 333, 349, 350, 352, 354, 356,
D8/382, 383, 394, 395; D9/418,
D9/434-440, 443-450, 452-454, 502,
D9/503, 504, 516, 517, 529, 530, 531,
D9/534, 538, 682, 686, 688, 715, 718;
D10/46.2; D11/26, 35; D12/218;
D13/103, 106, 118, 133, 154, 158, 183,
D13/703; D19/70, 71, 115, 162, 163,
D19/165, 192, 194; D24/121, 127, 197,

(Continued)

(56) **References Cited**

U.S. PATENT DOCUMENTS

D332,379 S * 1/1993 Murphy D7/391
D398,193 S * 9/1998 Sanchez D7/608

(Continued)

OTHER PUBLICATIONS

Kleen Kanteen Stainless Steel Loop Cap: Announced Jun. 3, 2013
[online], site visited Jul. 20, 2016. Available from Internet URL:
[https://www.amazon.com/Klean-Kanteen-Stainless-Steel-Bottle/
product-reviews/B0093IK](https://www.amazon.com/Klean-Kanteen-Stainless-Steel-Bottle/product-reviews/B0093IK).*

(Continued)

Primary Examiner — Thomas Johannes

Assistant Examiner — Catherine Posthauer

(74) *Attorney, Agent, or Firm* — Finnegan, Henderson,
Farabow, Garrett & Dunner, LLP

(57) **CLAIM**

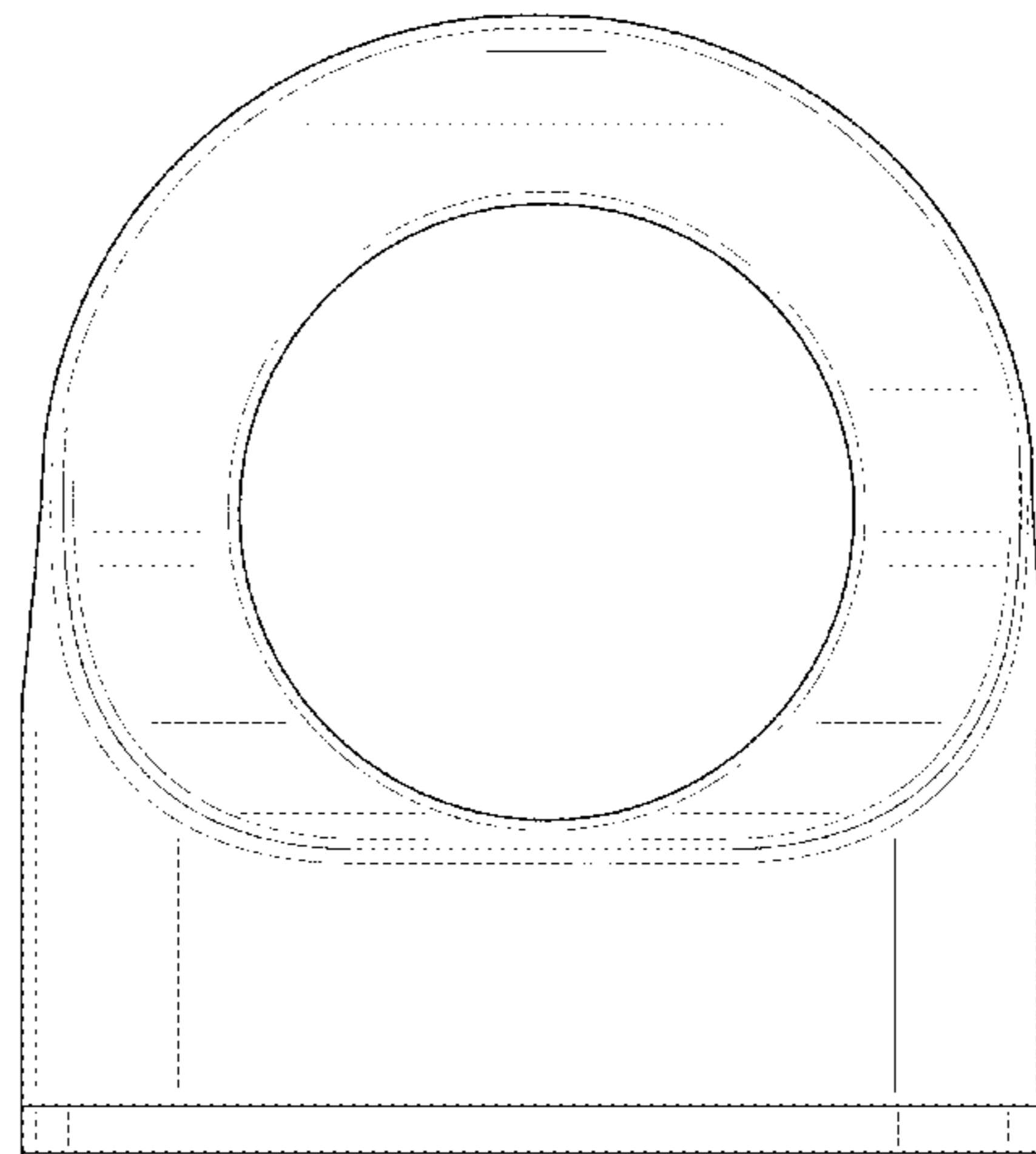
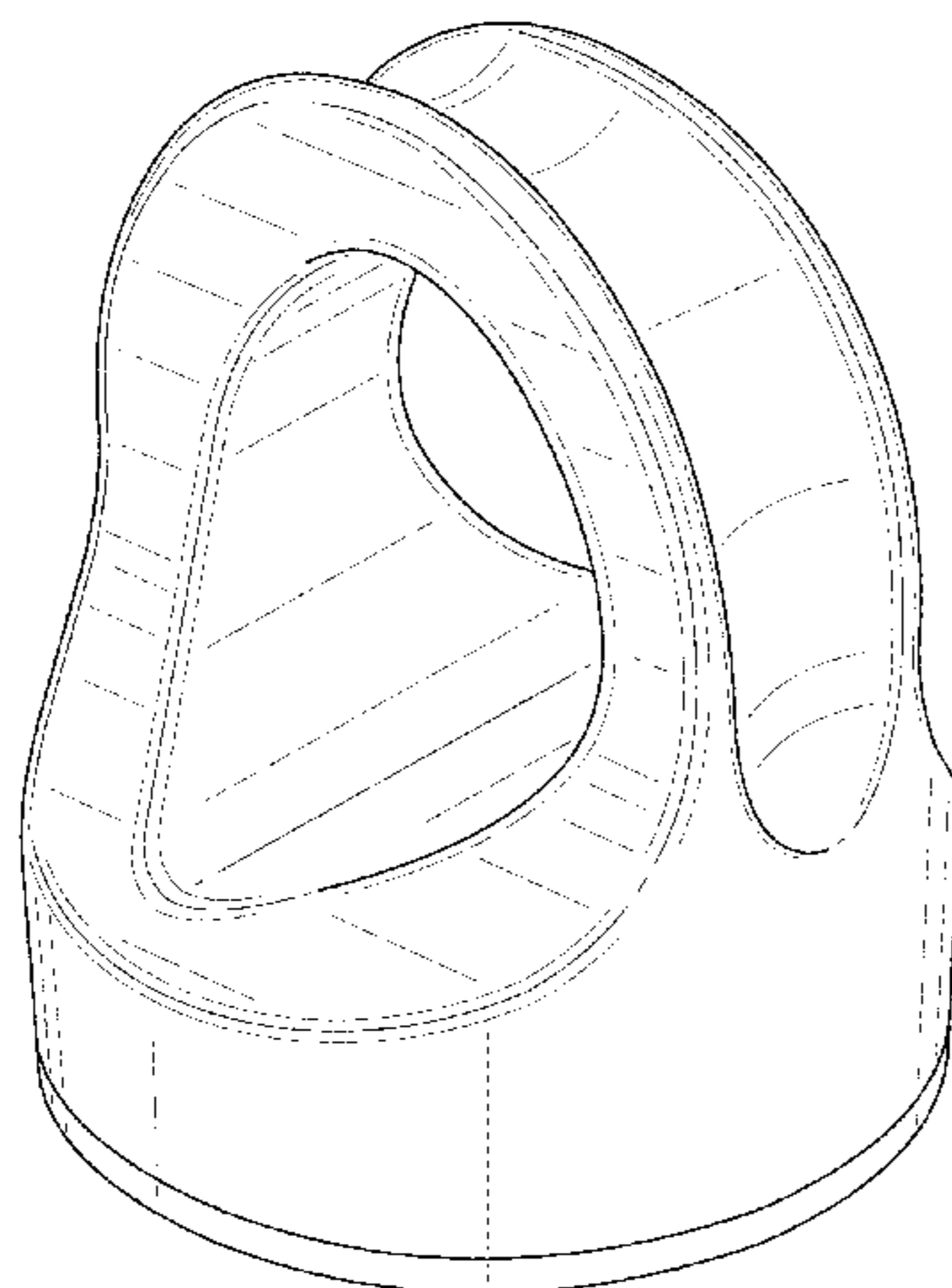
The ornamental design for a bottle cap, as shown and
described.

DESCRIPTION

FIG. 1 is a top front right perspective view of a bottle cap
showing our new design;
FIG. 2 is a front elevation view thereof;
FIG. 3 is a rear elevation view thereof;
FIG. 4 is a left side view thereof;
FIG. 5 is a right side view thereof;
FIG. 6 is a top plan view thereof; and,
FIG. 7 is a bottom view thereof.

The evenly broken lines are shown for the purpose of
illustrating parts of the bottle cap that form no part of the
claim. The dot-dash broken lines represent the boundaries of
the claim and form no part thereof.

1 Claim, 7 Drawing Sheets



(58) **Field of Classification Search**

USPC D24/224, 36, 123, 124; D29/129, 130;
 D30/158, 159; D32/23, 24, 25, 34, 72;
 D34/7, 10, 11, 28; 215/200, 201, 205,
 215/206, 209, 211, 212, 217, 218, 222,
 215/224, 228, 230, 232, 270, 295, 329,
 215/341, 344, 350.3; 220/212, 212.5,
 220/220, 236, 253, 254.3, 288, 293, 294,
 220/300, 324, 529.16, 592.17, 574, 575,
 220/700, 703, 705; 222/148, 153.1, 182,
 222/567
 CPC B65D 47/122; B65D 47/305; B65D 23/00;
 B65D 1/00; B65D 1/02; B65D 1/0223;
 B65D 50/041; B65D 25/18; B65D
 51/242; B65D 39/08; A47G 19/00; A47G
 19/2272; A47F 3/14; A45F 3/16; A47J
 41/00

See application file for complete search history.

(56) **References Cited**

U.S. PATENT DOCUMENTS

D456,669 S * 5/2002 Munari D7/392.1
 D458,134 S * 6/2002 Berish D9/443
 D479,800 S * 9/2003 McRae D9/443
 D494,425 S * 8/2004 Segura D7/608
 D525,518 S * 7/2006 Baldwin D8/310
 D528,921 S 9/2006 Leoncavallo et al.

D542,598 S 5/2007 Karp
 D568,740 S * 5/2008 Williams D9/436
 D603,331 S * 11/2009 Schupp D13/103
 D616,744 S * 6/2010 Cresswell D9/443
 D620,798 S * 8/2010 Cresswell D9/443
 D621,257 S * 8/2010 Gullickson D9/443
 D621,258 S * 8/2010 Gullickson D9/443
 D623,062 S * 9/2010 Gullickson D9/447
 D630,475 S * 1/2011 Lu D7/629
 D638,695 S * 5/2011 Woodrow D8/382
 D657,196 S * 4/2012 Beyers, III D7/513
 8,215,511 B1 * 7/2012 Lin B65D 39/08
 215/228
 D680,389 S * 4/2013 Zemel D7/672
 D688,093 S * 8/2013 Roth D7/392.1
 D712,254 S * 9/2014 Geis D9/436
 D712,255 S * 9/2014 Geis D9/436
 D728,995 S * 5/2015 Barberi D7/394
 D735,578 S * 8/2015 Mazurkiewicz D9/443
 D754,472 S * 4/2016 Munari D7/393
 2011/0186585 A1 * 8/2011 Lu A47J 41/00
 220/575
 2014/0353275 A1 * 12/2014 Hung B65D 47/305
 215/311

OTHER PUBLICATIONS

SIGG Screw Top Black, <http://www.mysigg.com/product/screw-top-black> (last visited Nov. 18, 2015).

* cited by examiner

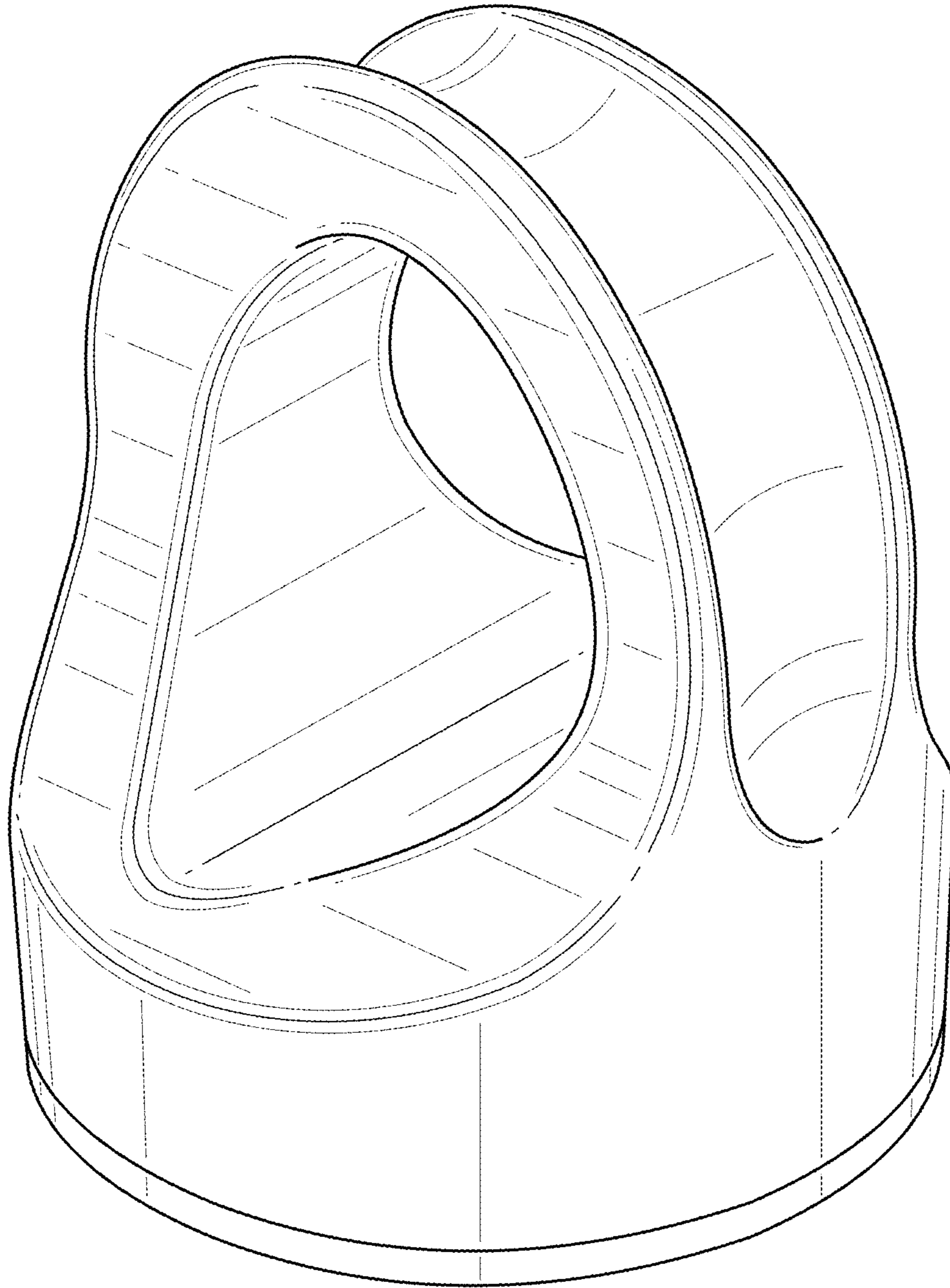


FIG. 1

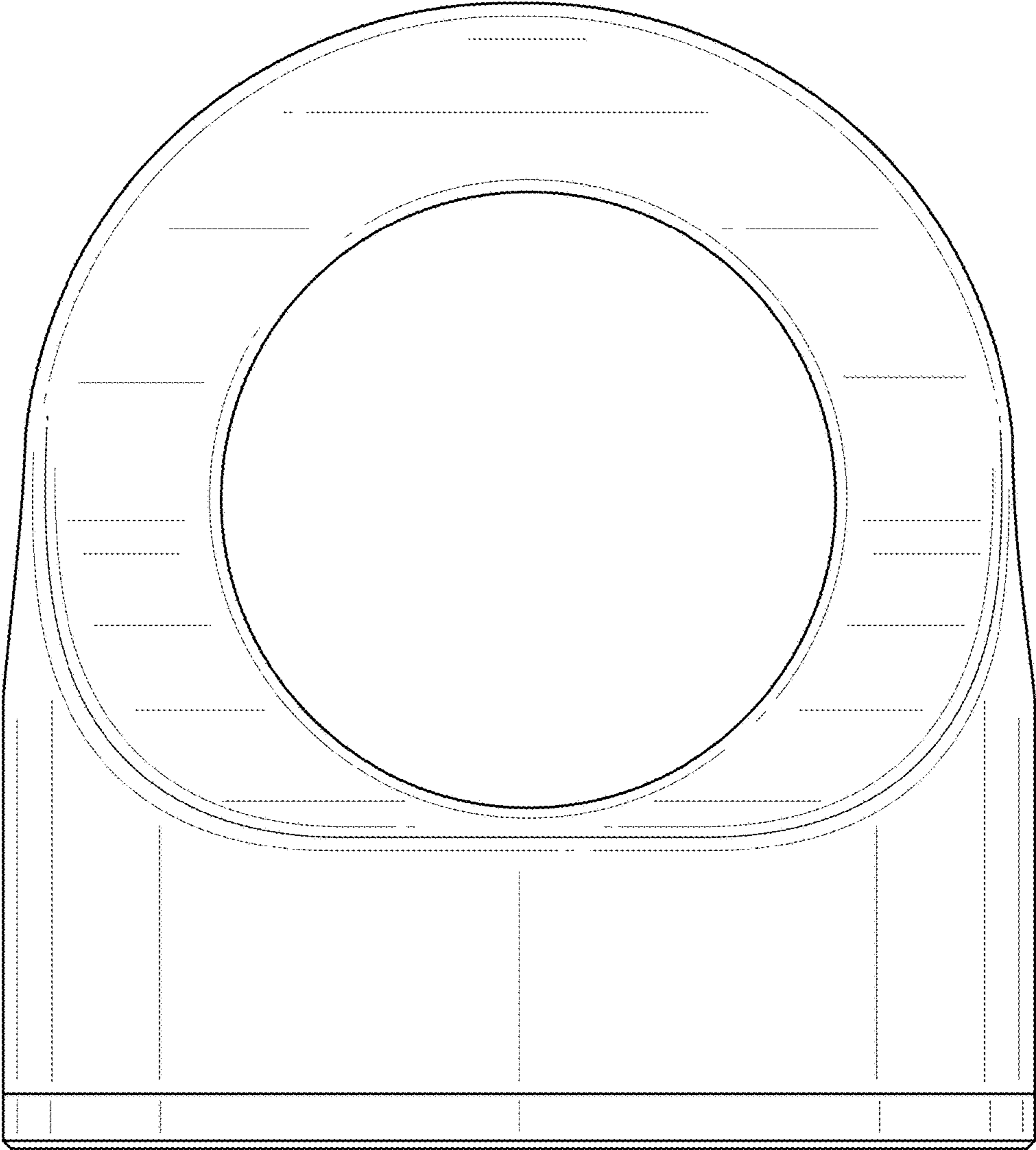


FIG. 2

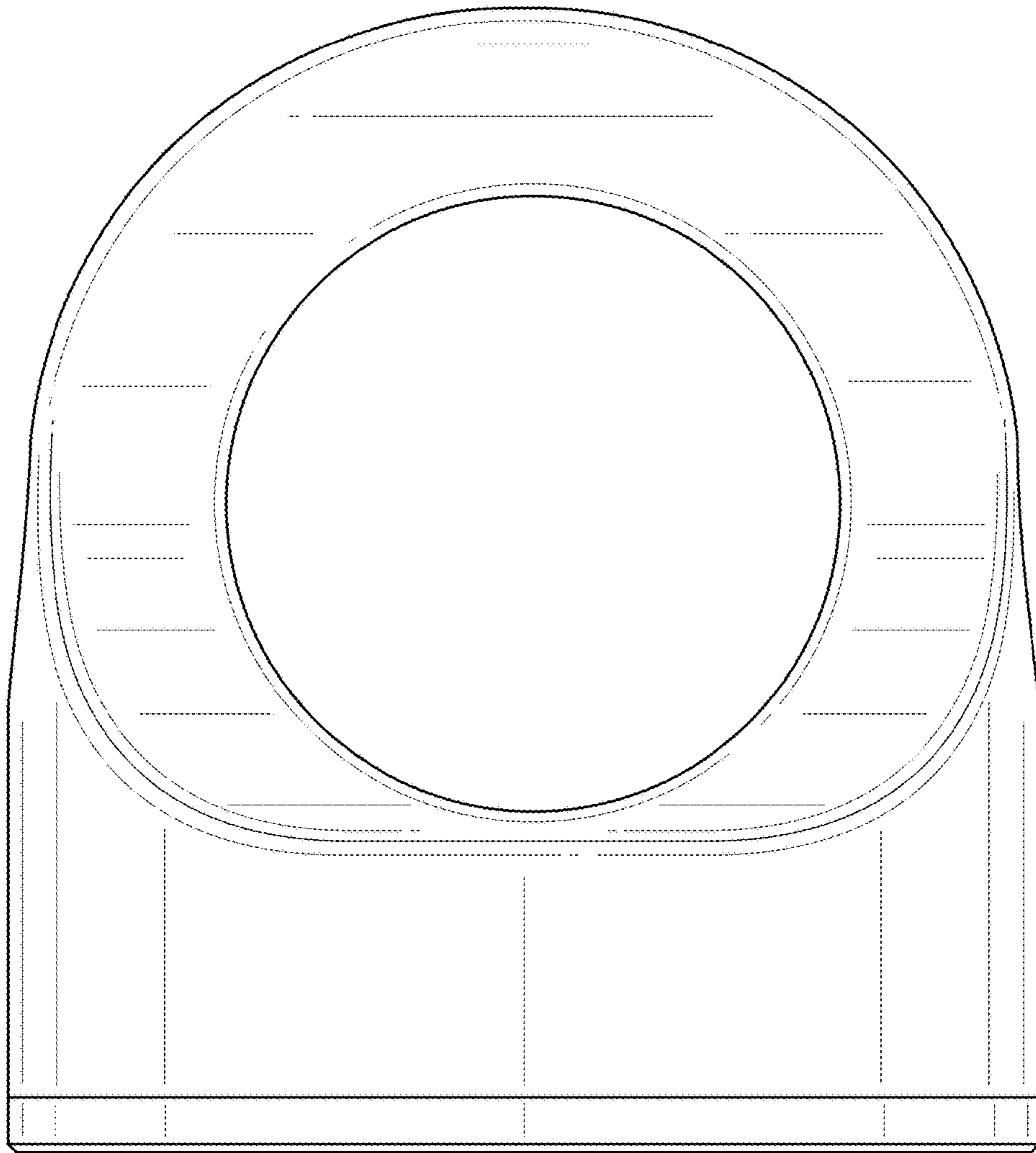


FIG. 3

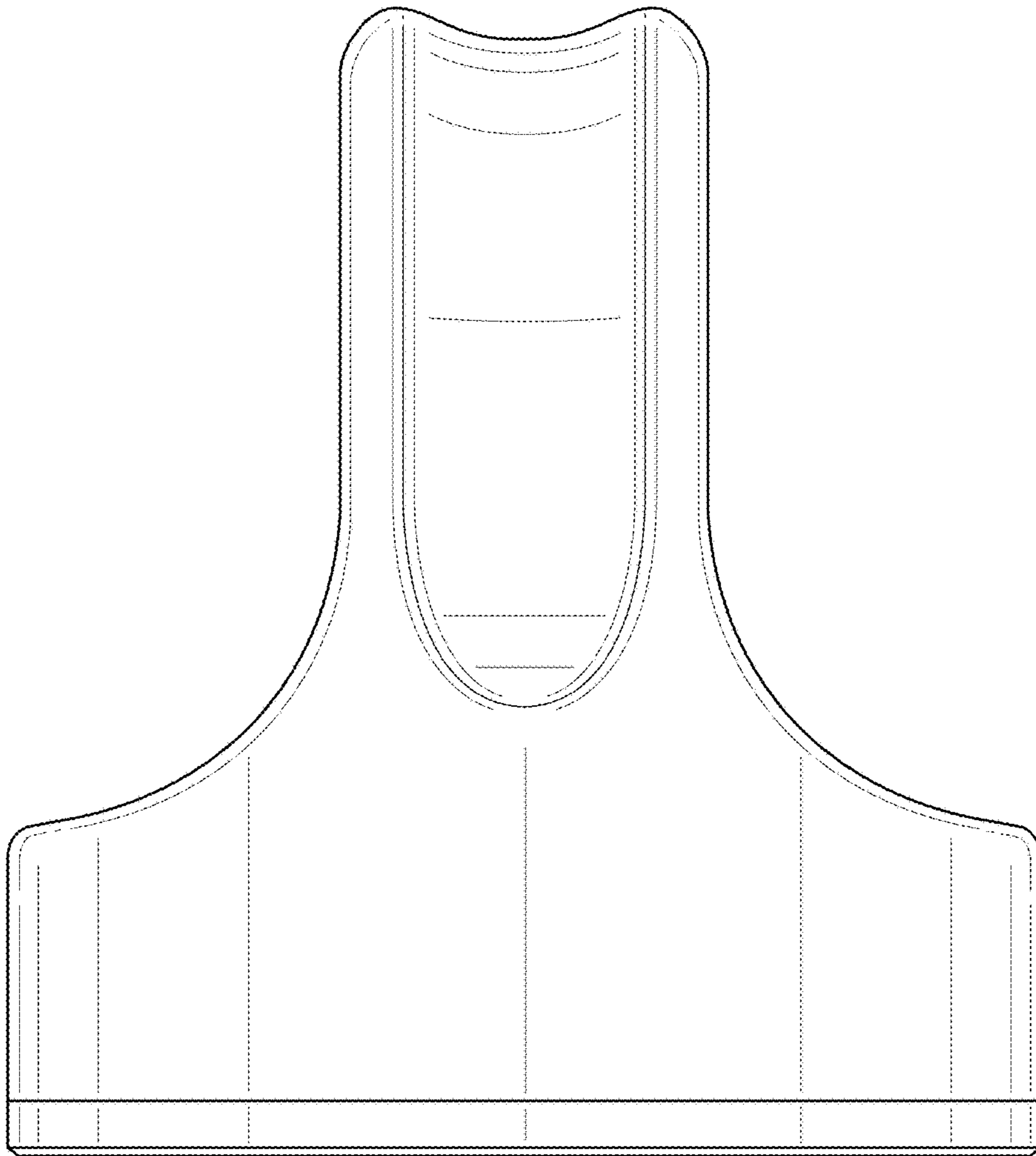


FIG. 4

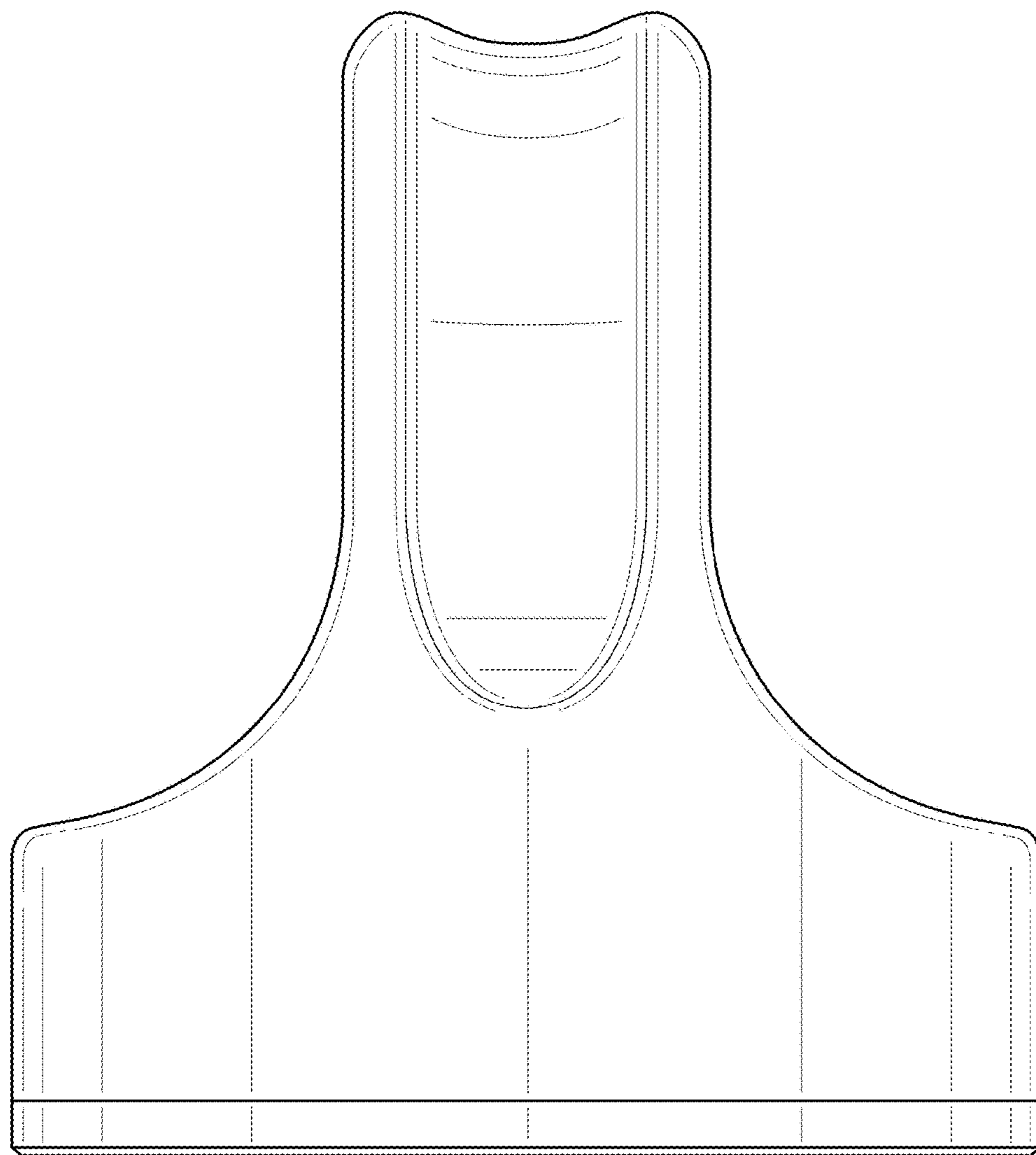


FIG. 5

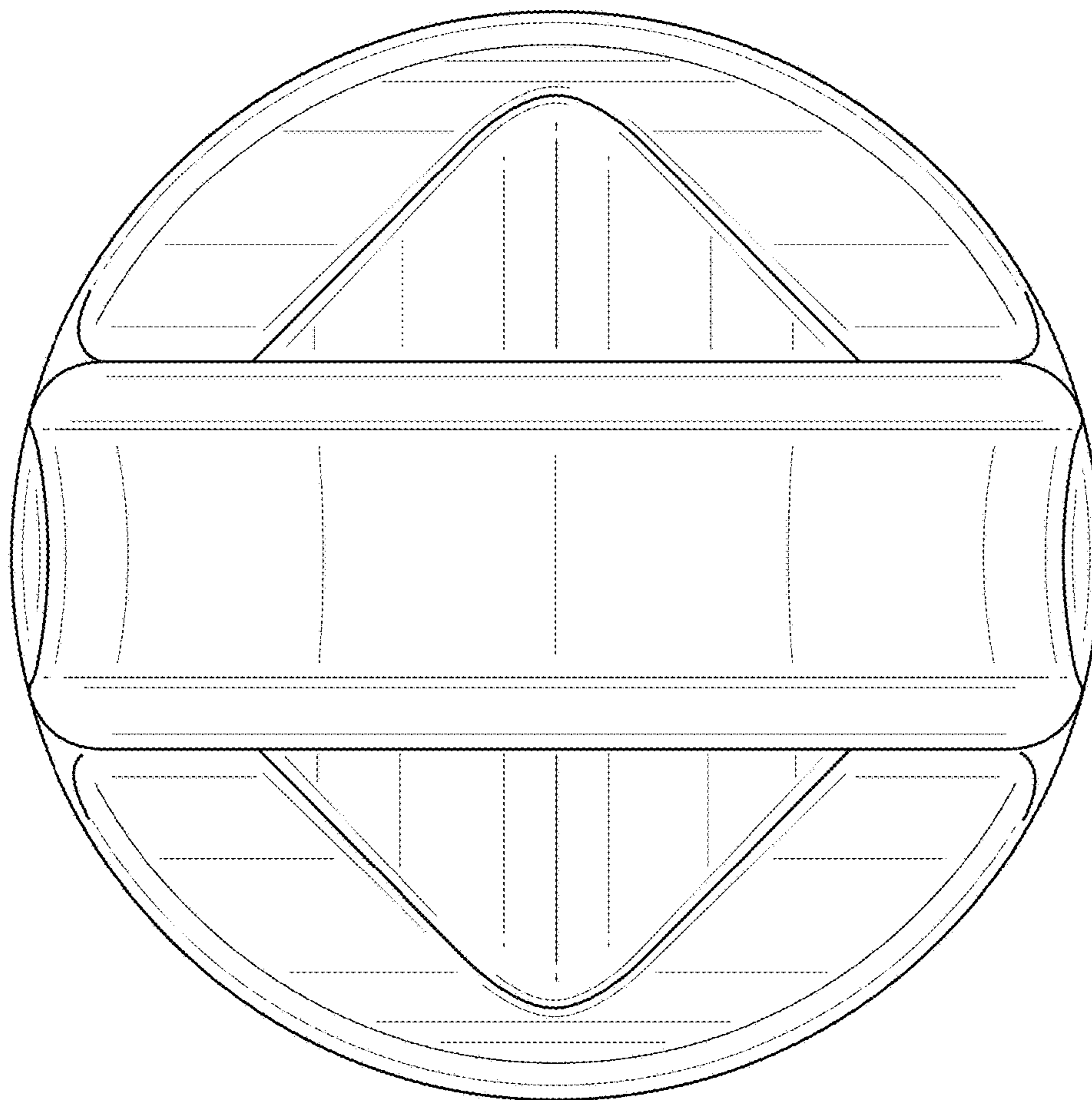


FIG. 6

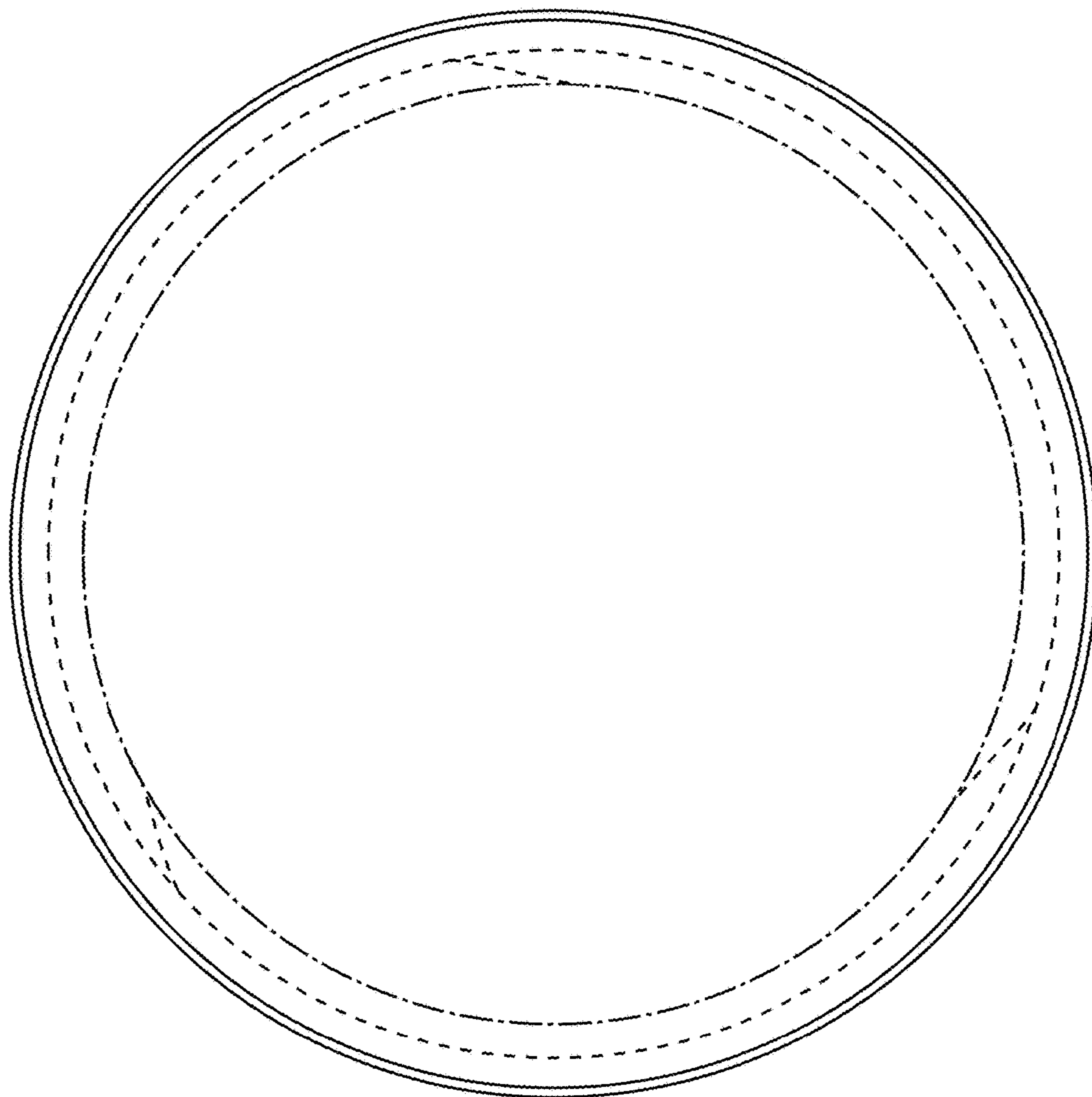


FIG. 7