



US00D786670S

(12) **United States Design Patent**
Lin

(10) **Patent No.:** **US D786,670 S**

(45) **Date of Patent:** **** May 16, 2017**

(54) **PACKING BOX FOR WATER HOSE**

(71) Applicant: **Ting-I Lin**, Changhua County (TW)

(72) Inventor: **Ting-I Lin**, Changhua County (TW)

(**) Term: **15 Years**

(21) Appl. No.: **29/547,931**

(22) Filed: **Dec. 9, 2015**

(51) **LOC (10) Cl.** **09-03**

(52) **U.S. Cl.**
USPC **D9/432; D9/711**

(58) **Field of Classification Search**
USPC D9/414-434, 442-445, 456, 457, 542,
D9/563; D3/273, 276, 308, 309;
D19/75, 90

CPC B65D 5/00; B65D 5/001; B65D 5/0015;
B65D 5/0227-5/0254; B65D 5/18; B65D
5/6605; B65D 5/48024; B65B 5/06

See application file for complete search history.

(56) **References Cited**

U.S. PATENT DOCUMENTS

3,184,050	A *	5/1965	Dahlberg	B65D 5/38 206/229
3,395,849	A *	8/1968	Gillam	B65D 5/38 229/125.125
D261,110	S *	10/1981	Yoshimoto	D9/432
D269,932	S *	8/1983	Asmus	D7/546
6,012,582	A *	1/2000	Haygean	B65D 5/001 206/503
D553,494	S *	10/2007	Dehlin	D9/432
D618,390	S *	6/2010	Moore	D27/172

D650,270	S *	12/2011	Cluett	D9/430
D745,387	S *	12/2015	Roquemore	D9/418
D747,190	S *	1/2016	DeLaGrange	D9/432
D748,978	S *	2/2016	Glass	D9/432
D772,057	S *	11/2016	Adams	D9/432
2007/0181458	A1 *	8/2007	Ehrlund	B65D 5/38 206/528

* cited by examiner

Primary Examiner — Vy Koenig

Assistant Examiner — Omeed Agilee

(74) *Attorney, Agent, or Firm* — Lin & Associates IP, Inc.

(57) **CLAIM**

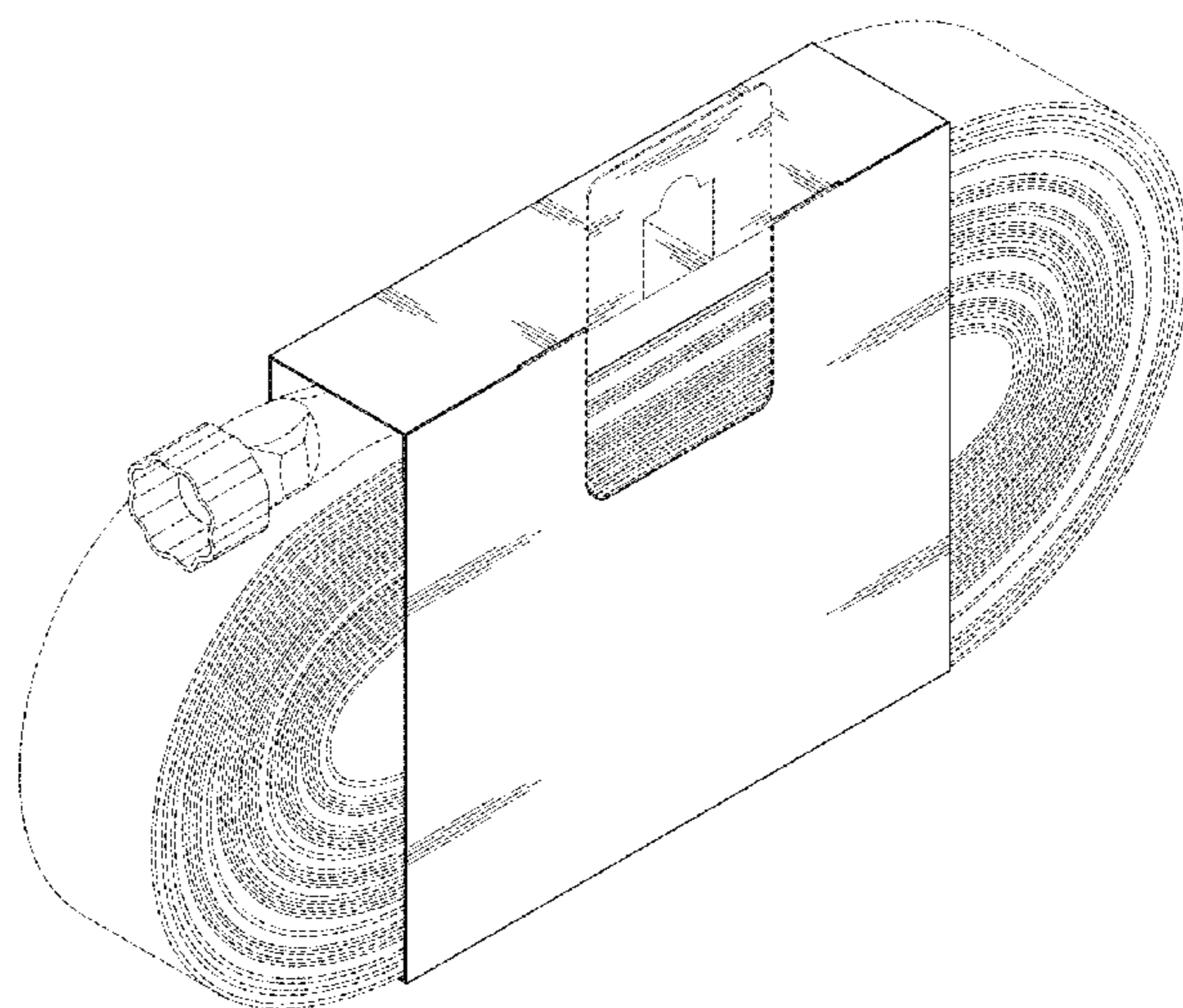
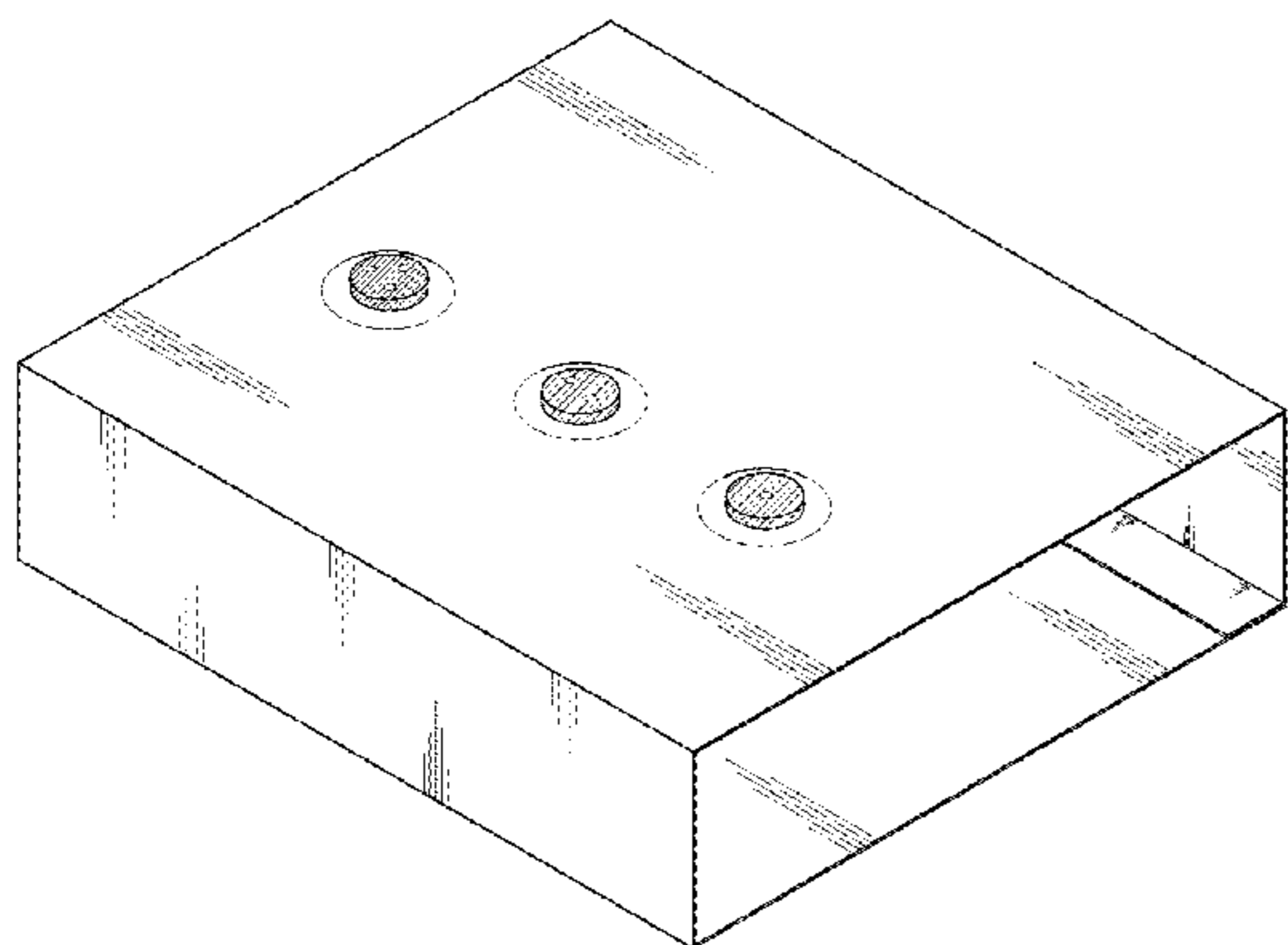
The ornamental design for a packing box for water hose, as shown and described.

DESCRIPTION

FIG. 1 is a front, right and top perspective view of a packing box for water hose showing my new design;
 FIG. 2 is a front elevational view thereof;
 FIG. 3 is a rear elevational view thereof;
 FIG. 4 is a left elevational view thereof;
 FIG. 5 is a right elevational view thereof;
 FIG. 6 is a top view thereof;
 FIG. 7 is a bottom view thereof; and,
 FIG. 8 is a rear, right and bottom perspective view of a packing box for water hose in an alternate configuration of use.

The broken line portion of the drawings is included to show unclaimed subject matter only and forms no part of the claimed design.

1 Claim, 8 Drawing Sheets



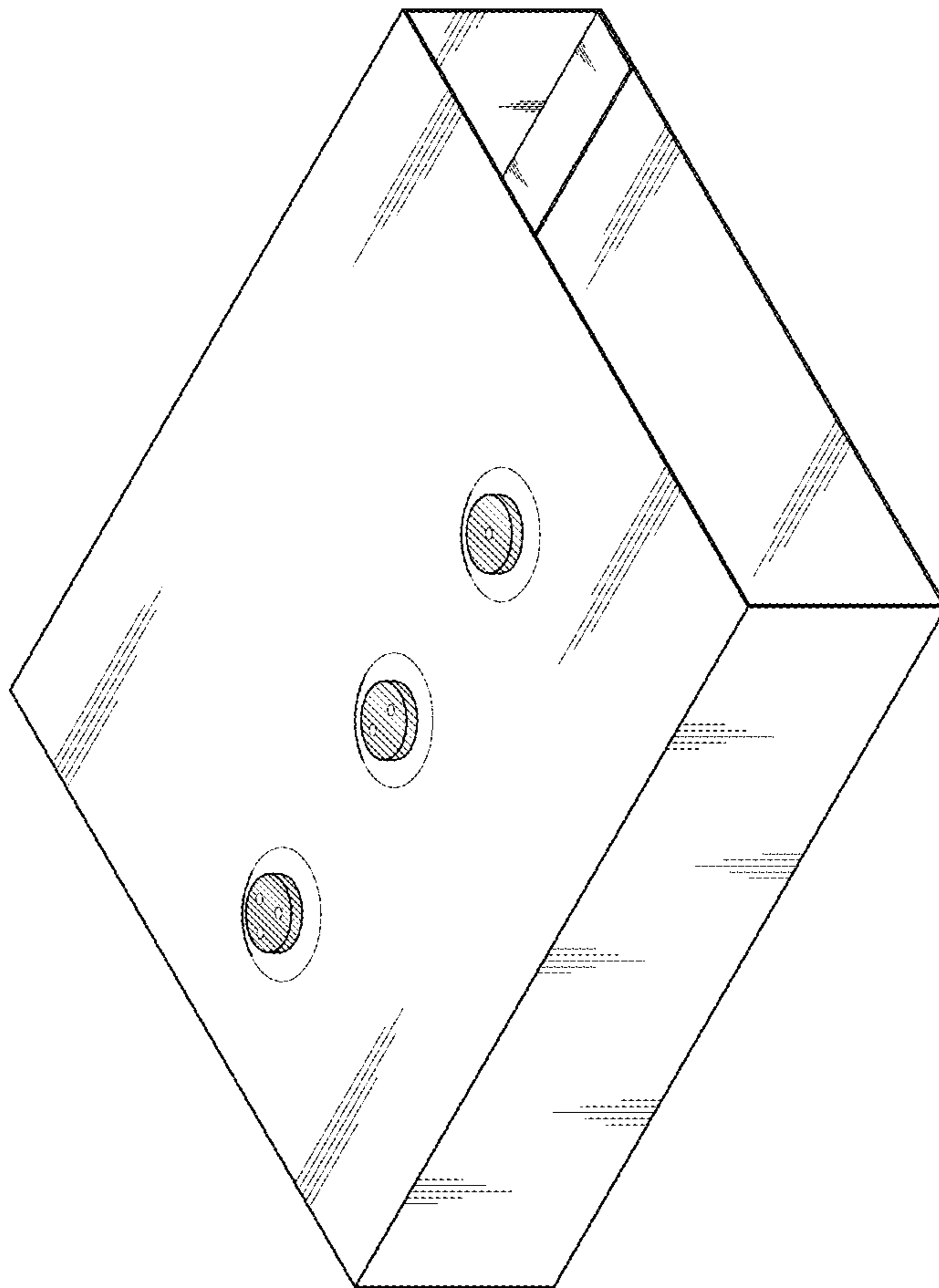


FIG. 1

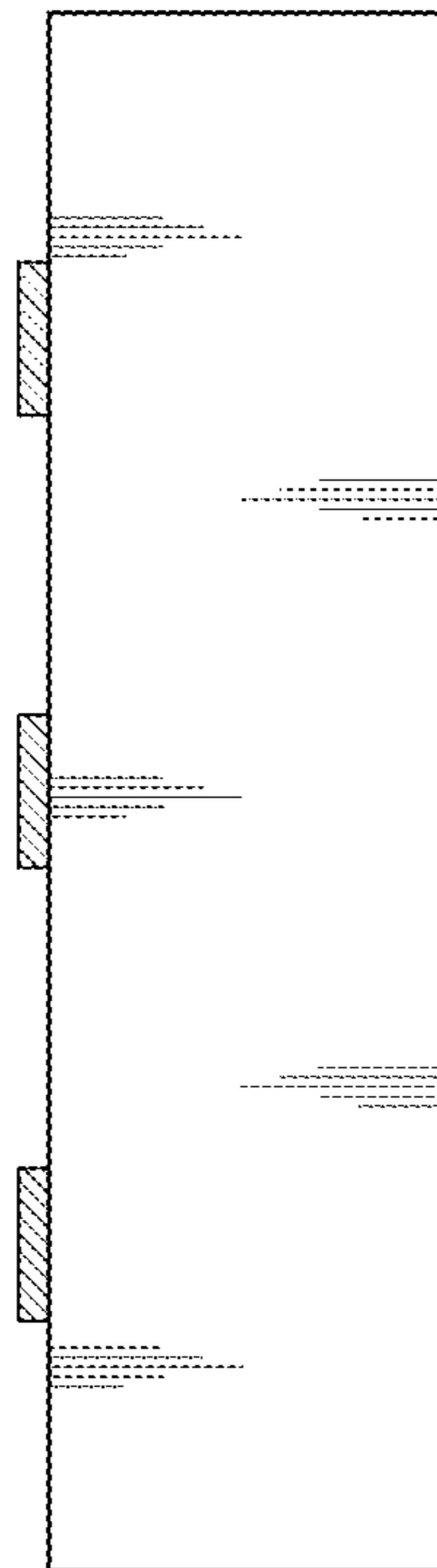


FIG. 2

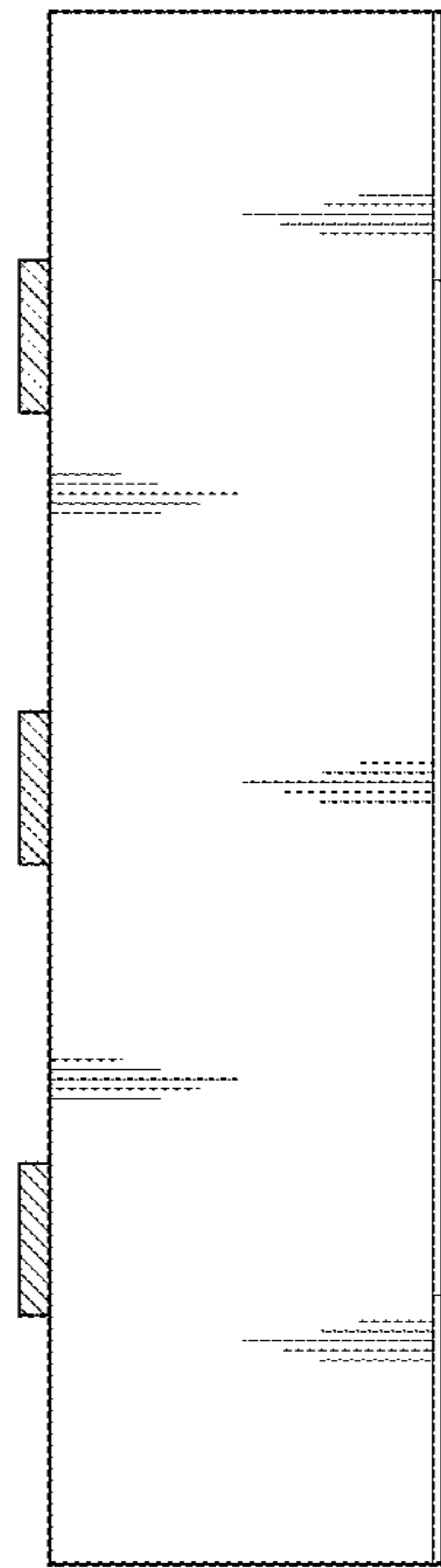


FIG. 3

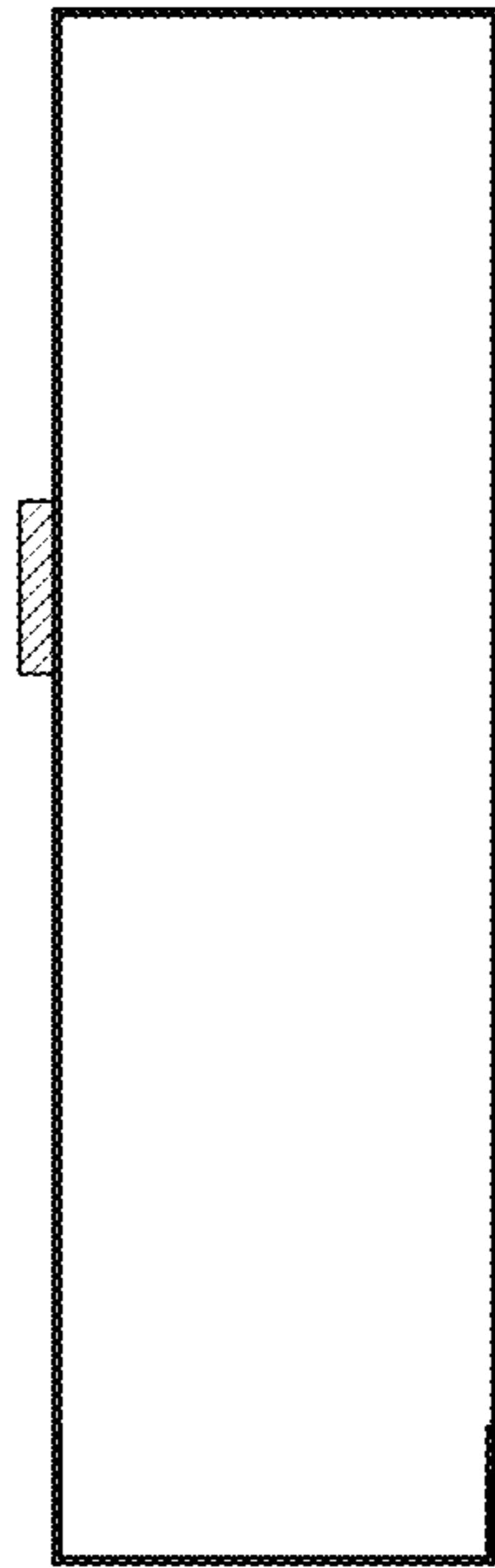


FIG. 4

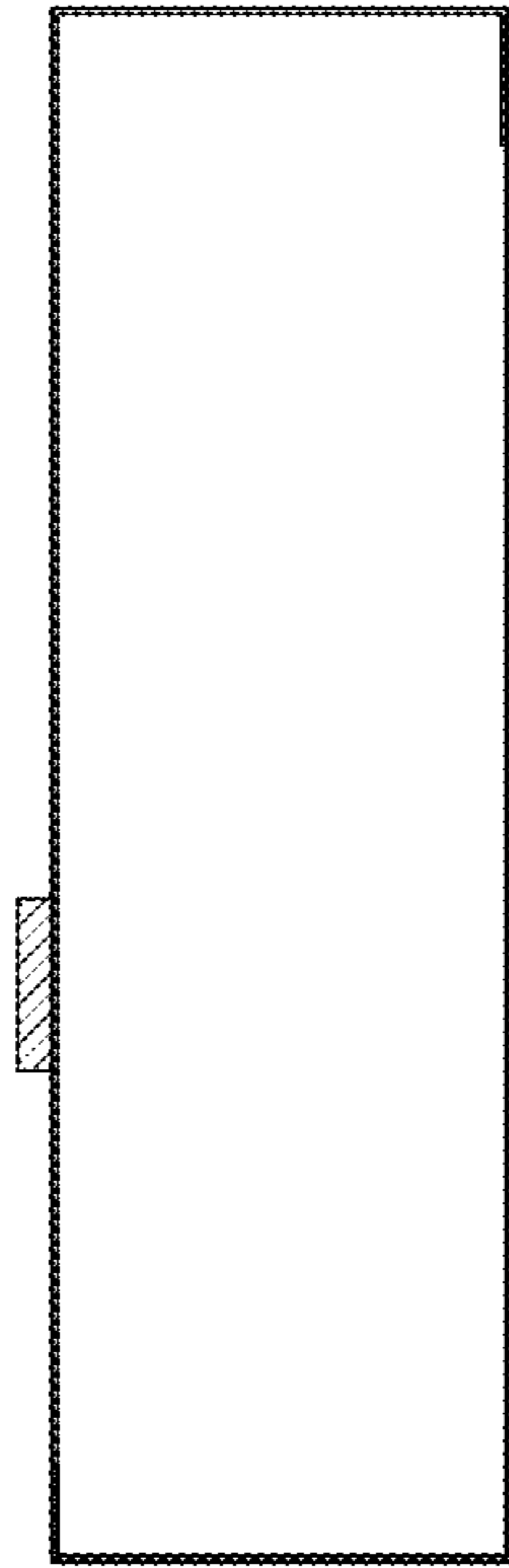


FIG. 5

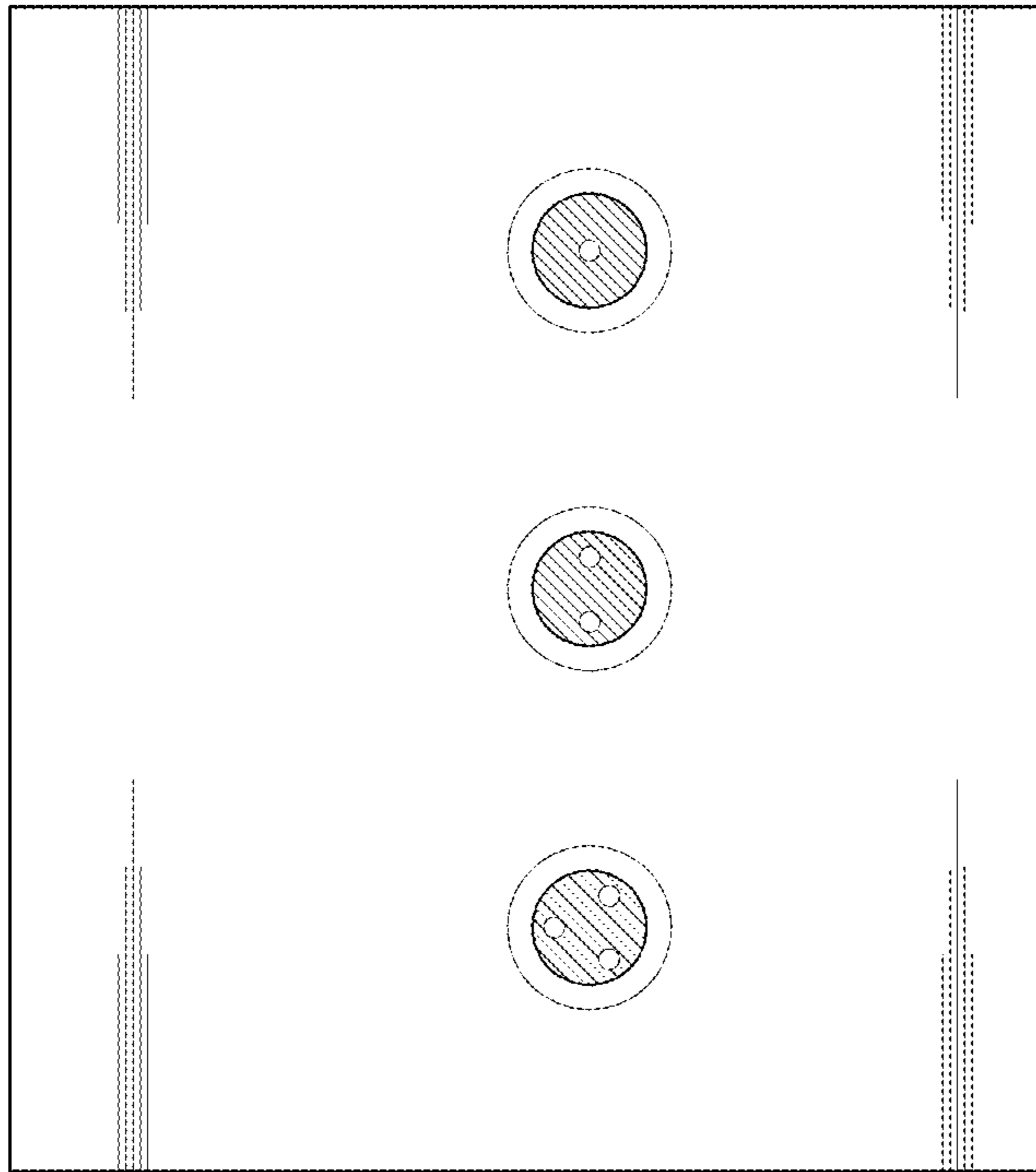


FIG. 6

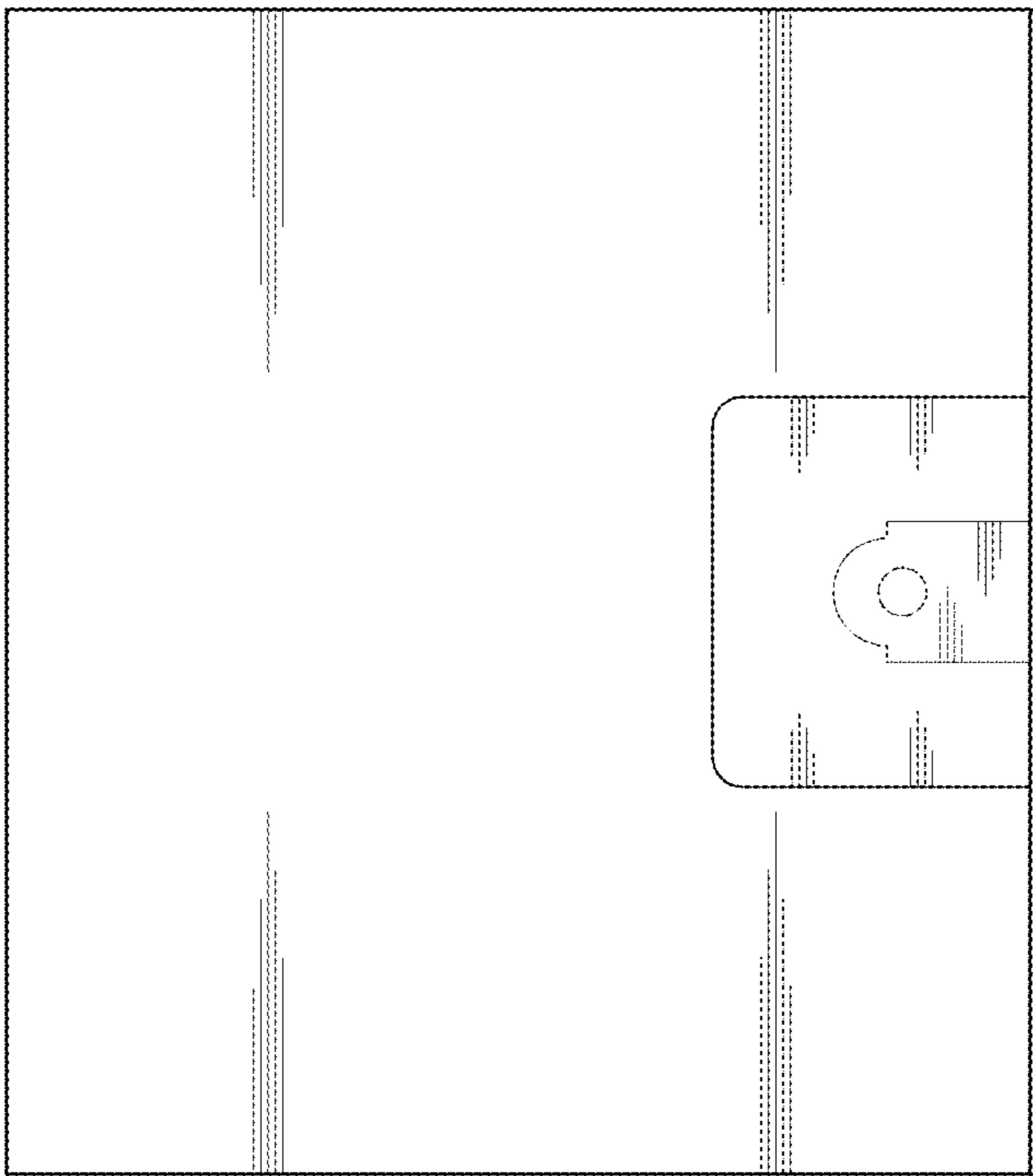


FIG. 7

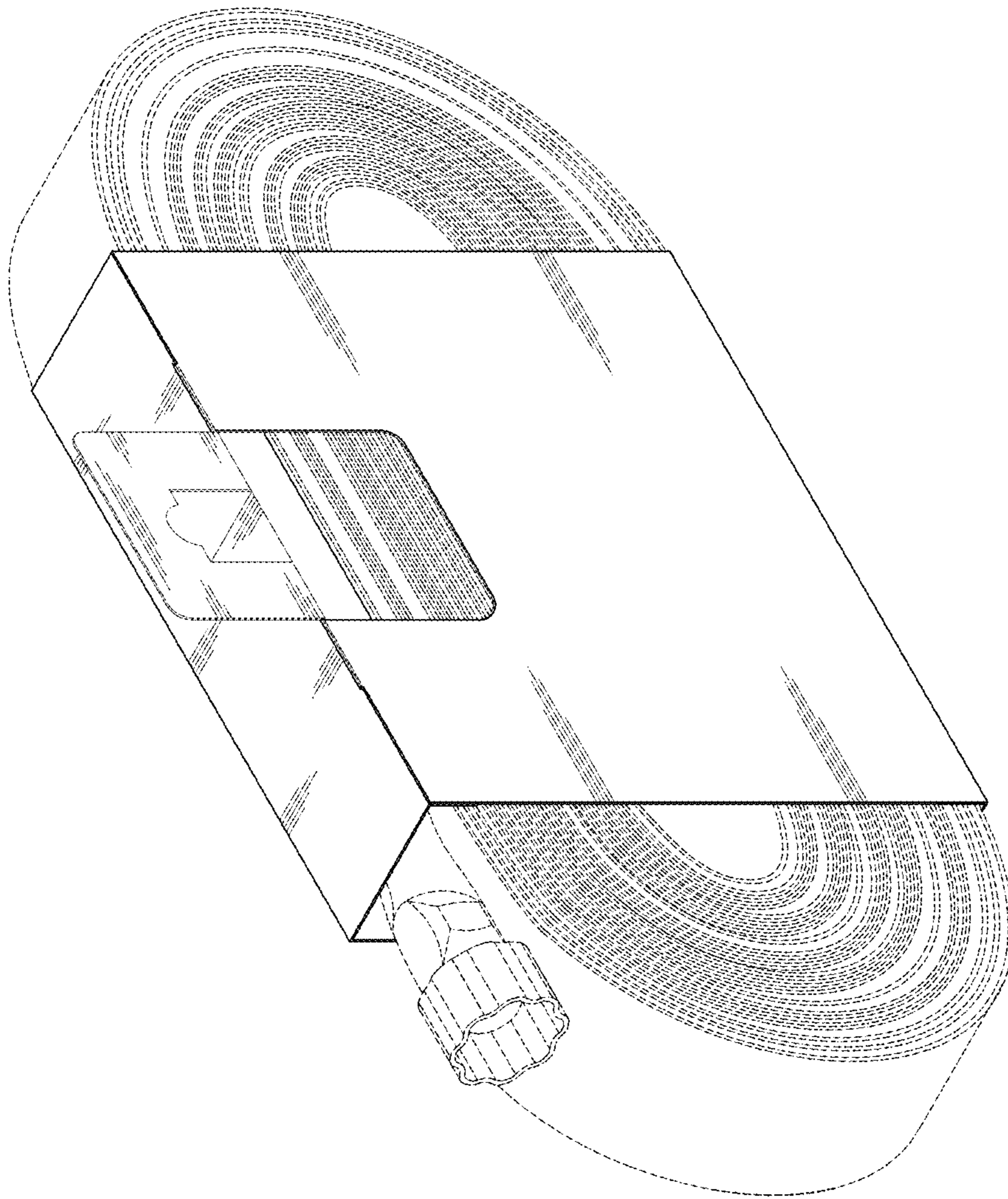


FIG. 8