



US00D786667S

(12) **United States Design Patent** (10) **Patent No.:** **US D786,667 S**
Kim (45) **Date of Patent:** **** May 16, 2017**

(54) **CONTAINER FOR COFFEE CAPSULE**
(71) Applicant: **Ho Tae Kim**, Chungcheongbuk-do (KR)
(72) Inventor: **Ho Tae Kim**, Cheongju-si (KR)
(**) Term: **15 Years**
(21) Appl. No.: **35/500,502**
(22) Filed: **Jul. 17, 2015**
(80) **Hague Agreement Data**
Int. Filing Date: **Jul. 17, 2015**
Int. Reg. No.: **DM/087052**
Int. Reg. Date: **Jul. 17, 2015**
Int. Reg. Pub. Date: **Jan. 22, 2016**
(51) **LOC (10) Cl.** **09-03**
(52) **U.S. Cl.**
USPC **D9/429**
(58) **Field of Classification Search**
USPC D9/429, 428, 503, 417, 416, 425;
D7/300; 206/822
CPC B65D 51/28; B65D 85/8043; A47J 31/368;
A47J 31/0626
See application file for complete search history.

D695,111 S * 12/2013 Hansen A47J 31/368
D9/429
D697,797 S * 1/2014 Hansen D9/429
D716,648 S * 11/2014 Tan D9/416
D728,363 S * 5/2015 Dubos D9/425
D733,554 S * 7/2015 Rubinstein D9/416
D733,555 S * 7/2015 Brady D9/428
D735,574 S * 8/2015 Brady D9/428
D736,617 S * 8/2015 Sy D9/429
D737,678 S * 9/2015 Danenberg D9/428
D741,169 S * 10/2015 Lutz D9/429
D743,786 S * 11/2015 Hansen D9/429
D745,386 S * 12/2015 Covey D9/416
D745,824 S * 12/2015 Ritter D9/416
D748,977 S * 2/2016 Doria D9/428
D749,411 S * 2/2016 Corsetti D9/416
9,260,239 B2 * 2/2016 Amrein B65D 85/8043
D752,972 S * 4/2016 Goldstein D9/429
D757,536 S * 5/2016 Norton D9/429
D757,537 S * 5/2016 Trombetta D9/428
9,326,635 B2 * 5/2016 Koestring A47J 31/0626
D764,270 S * 8/2016 Paton D9/416
D766,078 S * 9/2016 Hansen D9/416
D766,079 S * 9/2016 Shiffer D9/428

* cited by examiner

Primary Examiner — Rhea Shields

(57) **CLAIM**

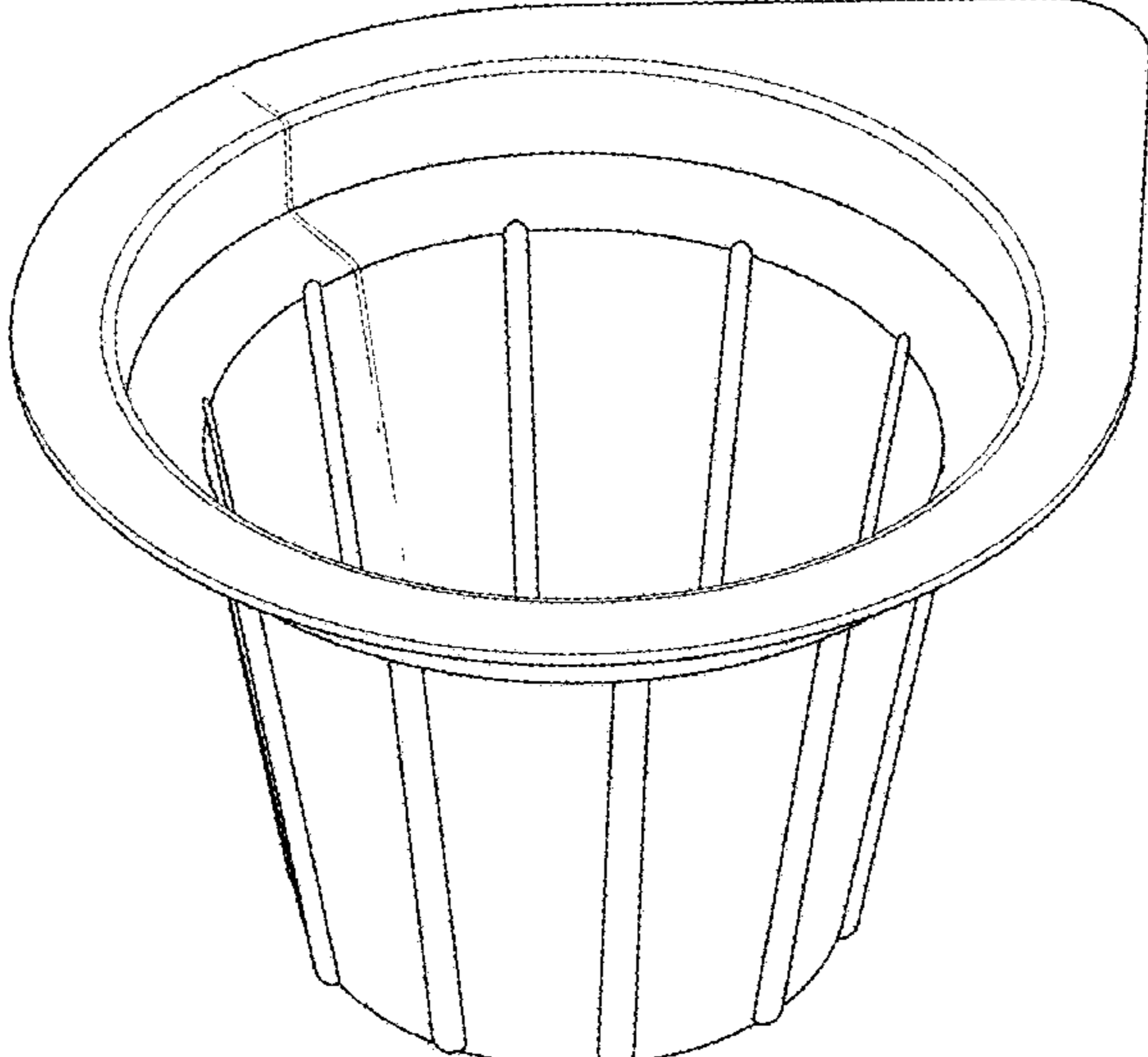
The ornamental design for a container for coffee capsule, as shown and described.

DESCRIPTION

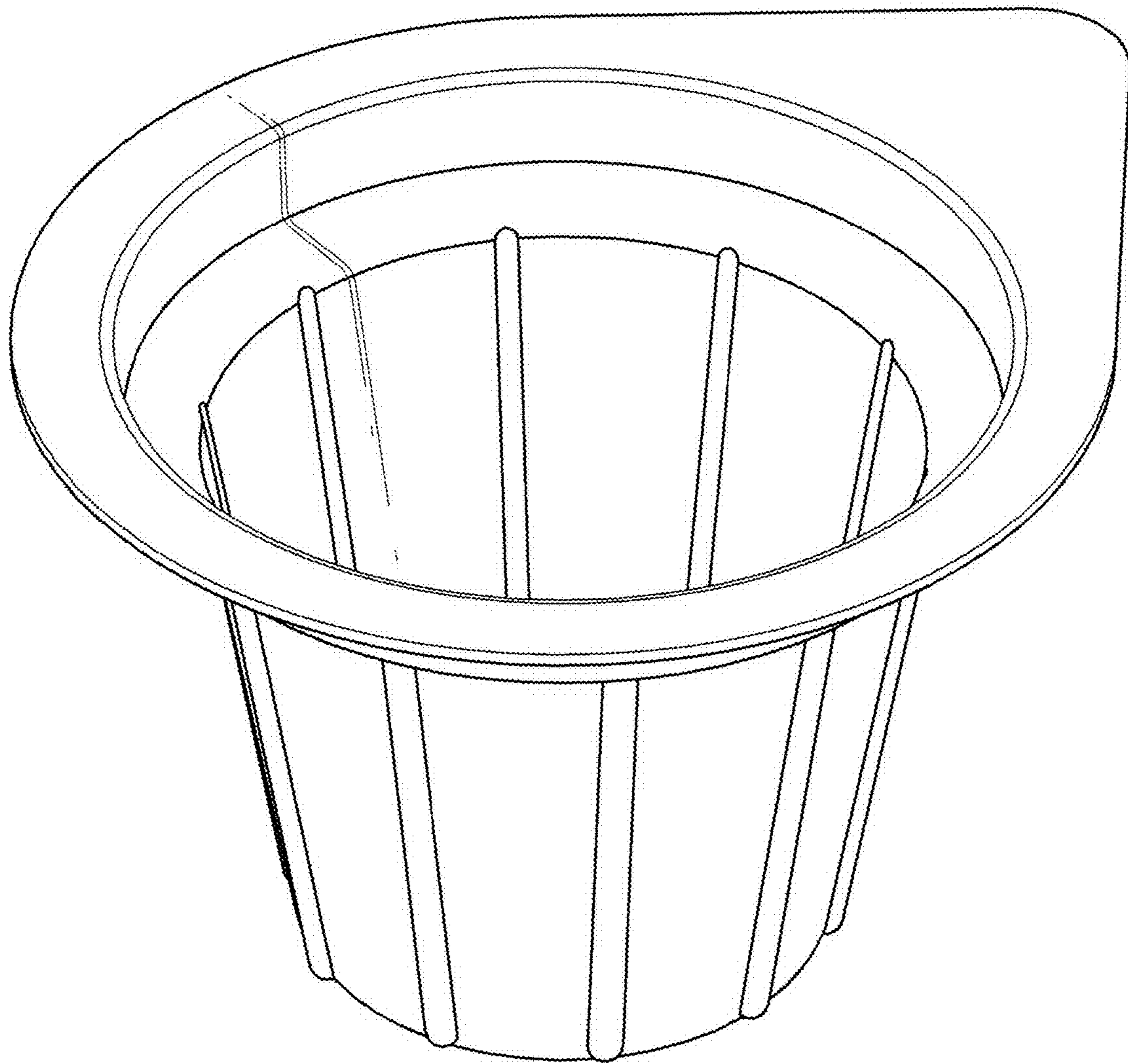
- 1. Container for coffee capsule
- 1.1 : Perspective
- 1.2 : Front
- 1.3 : Back
- 1.4 : Left
- 1.5 : Right
- 1.6 : Top
- 1.7 : Bottom

1 Claim, 7 Drawing Sheets

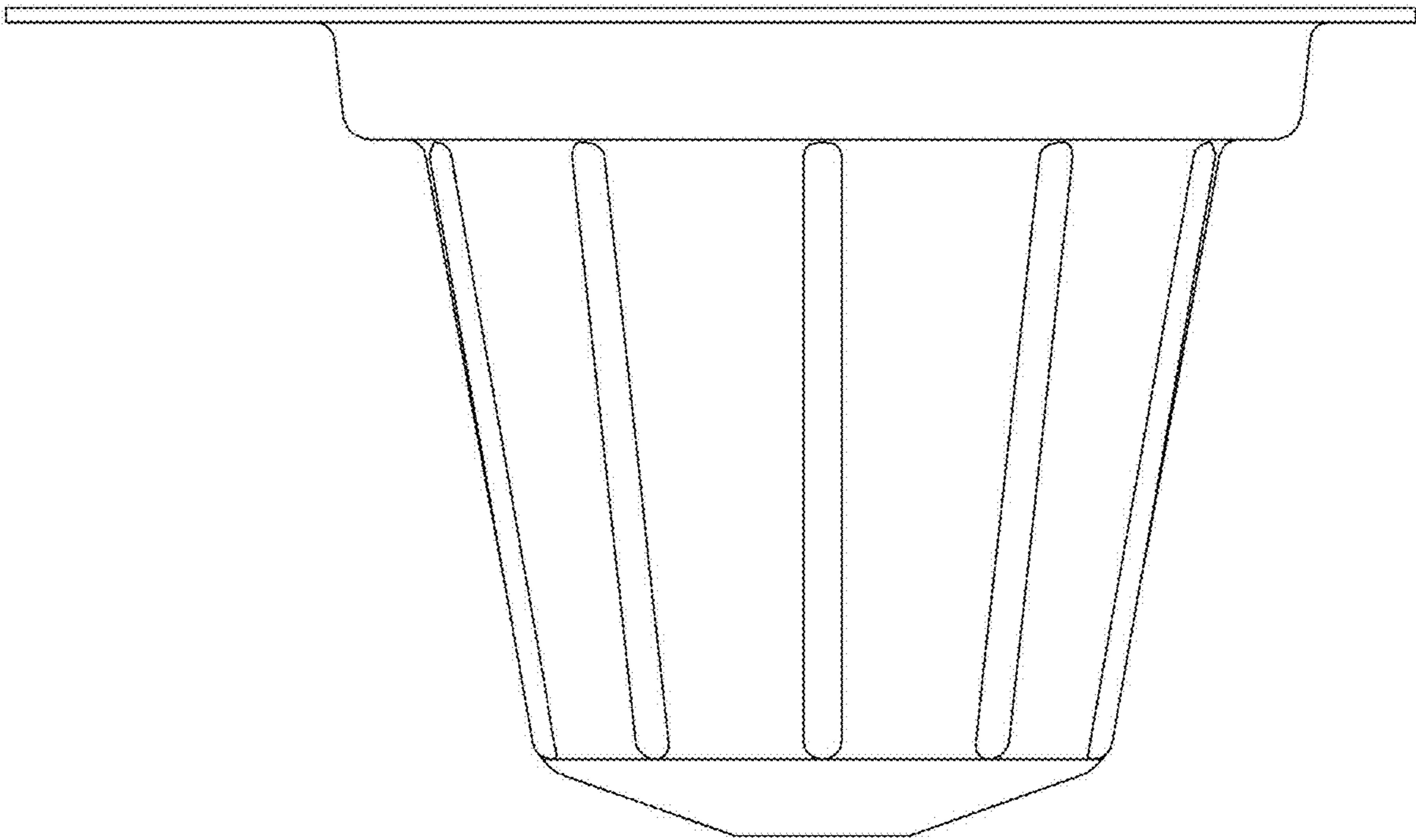
(56) **References Cited**
U.S. PATENT DOCUMENTS
D265,462 S * 7/1982 Andrulionis D9/429
5,064,073 A * 11/1991 Folland B65D 51/28
206/822
D519,831 S * 5/2006 de Cleir D9/428
D532,293 S * 11/2006 Martin D9/503
D573,390 S * 7/2008 Ablo D7/300
D628,883 S * 12/2010 Stephens D9/429
D642,454 S * 8/2011 Santoiemmo D9/428
D647,398 S * 10/2011 Winkler D9/417



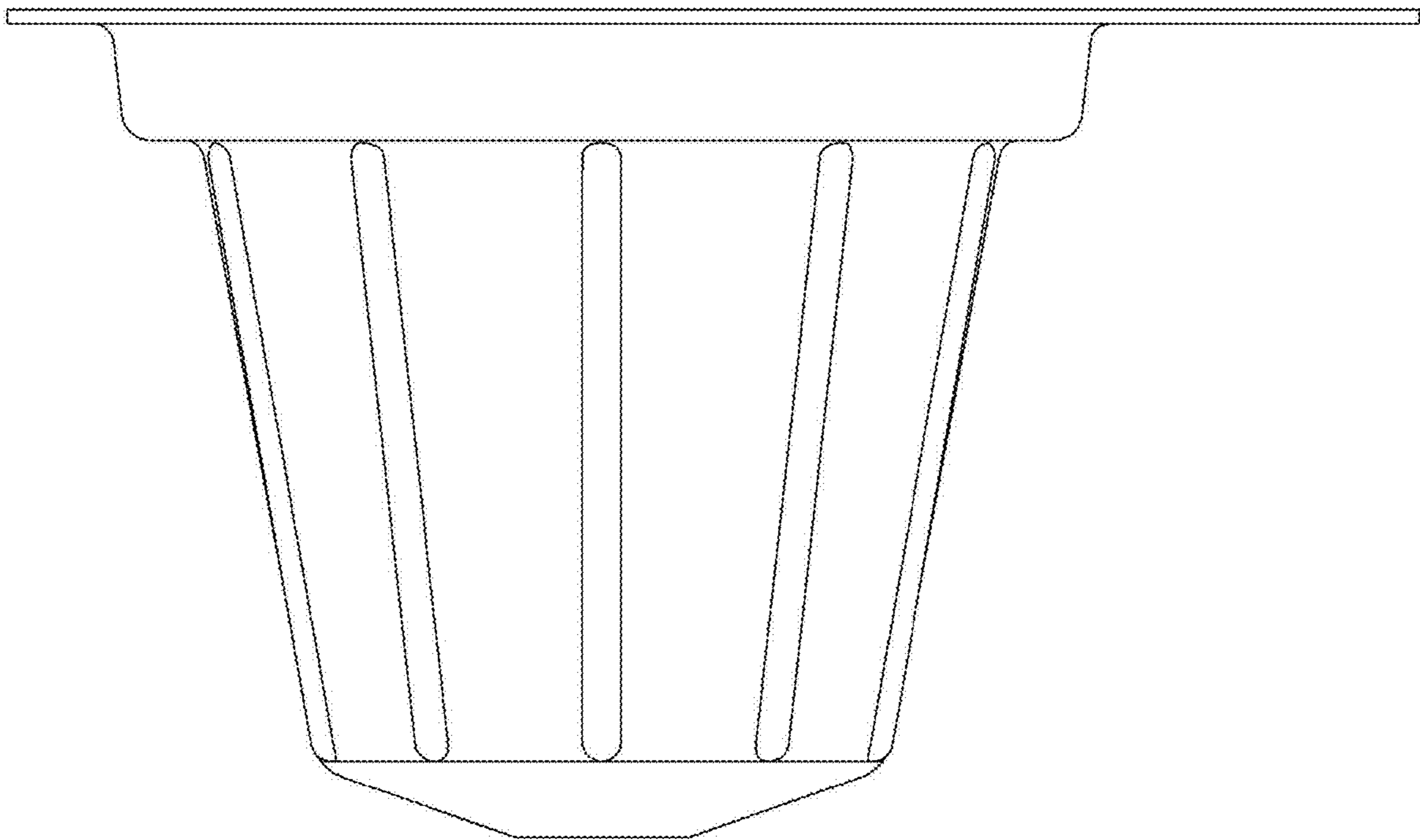
1.1



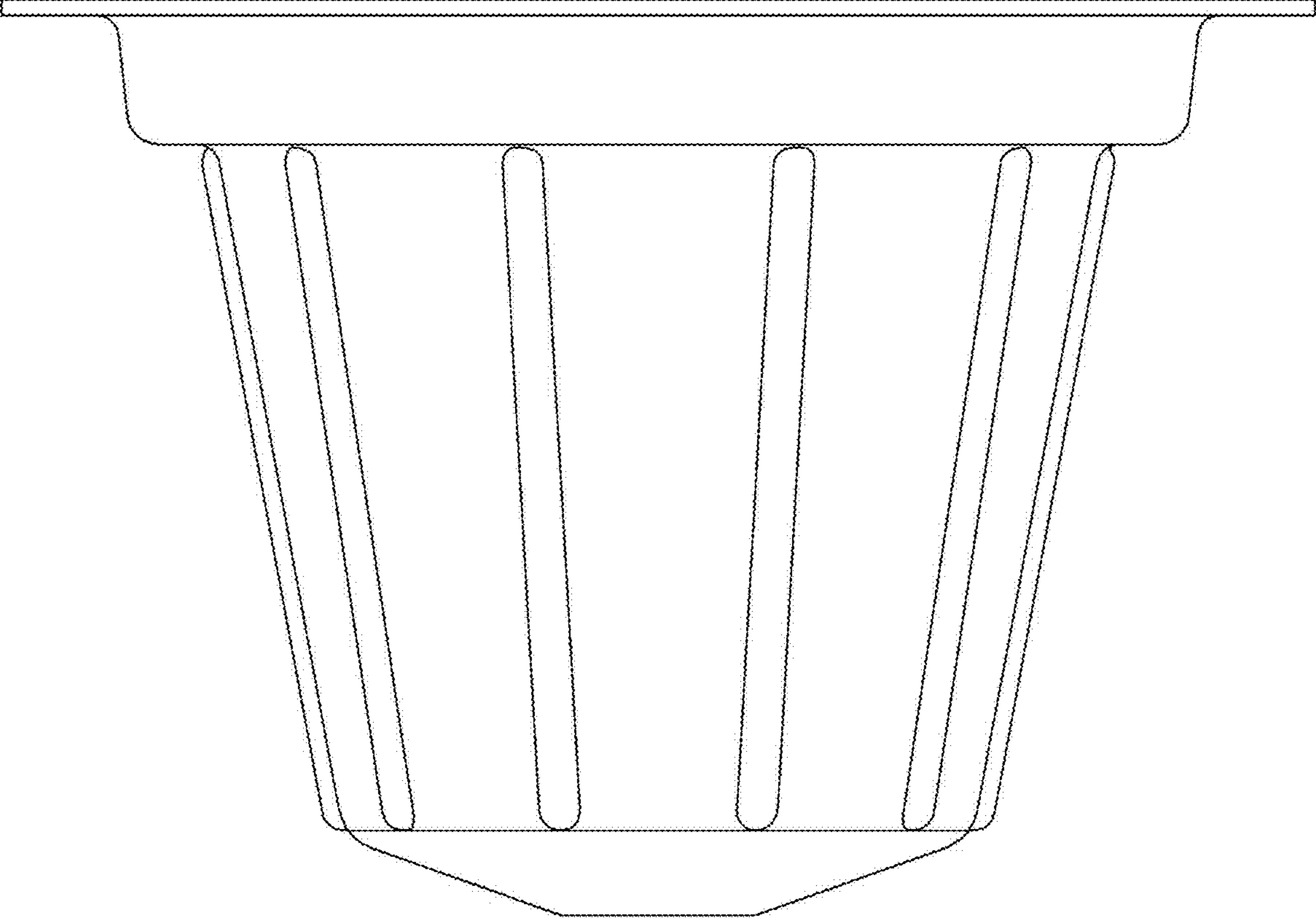
1.2



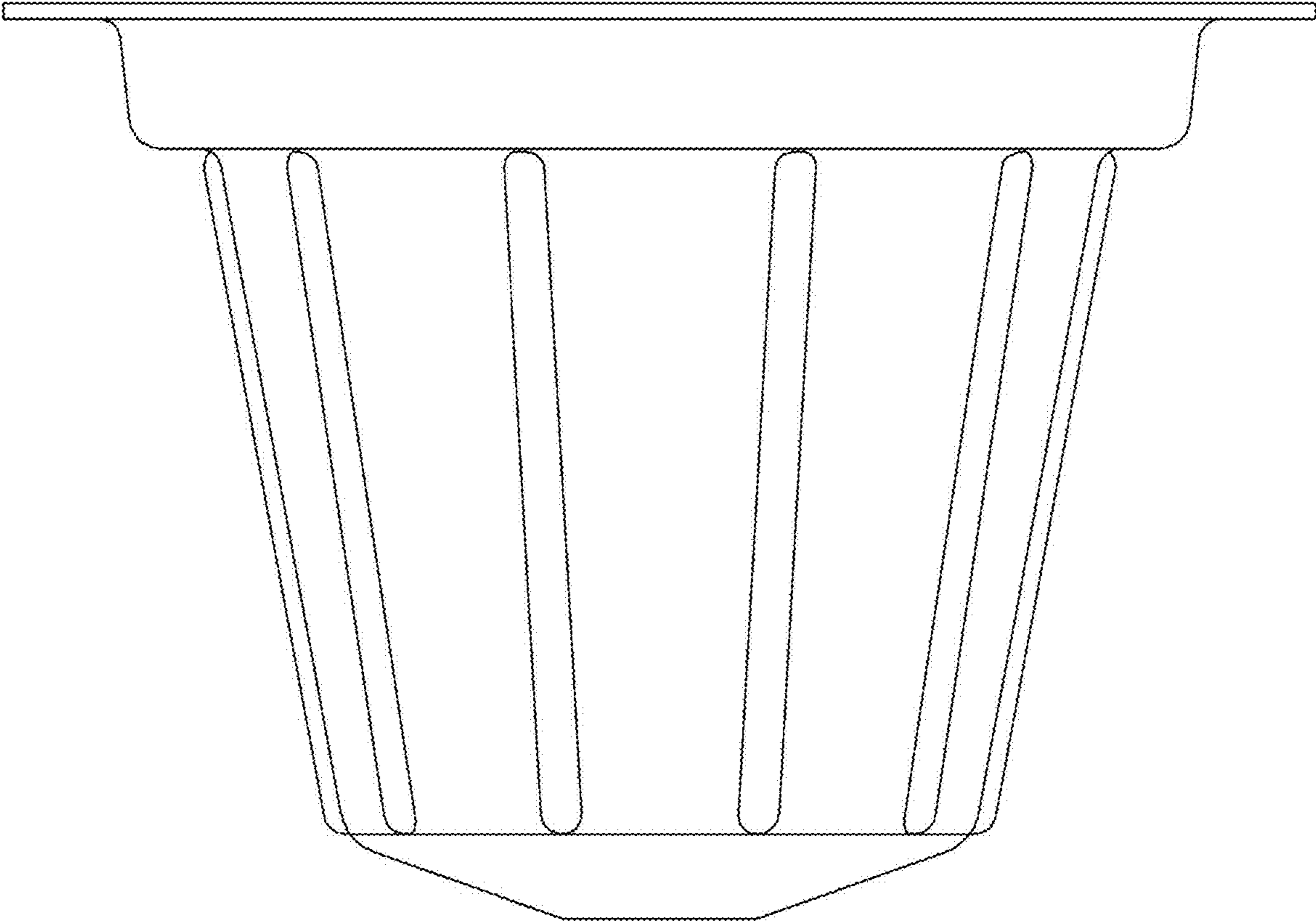
1.3



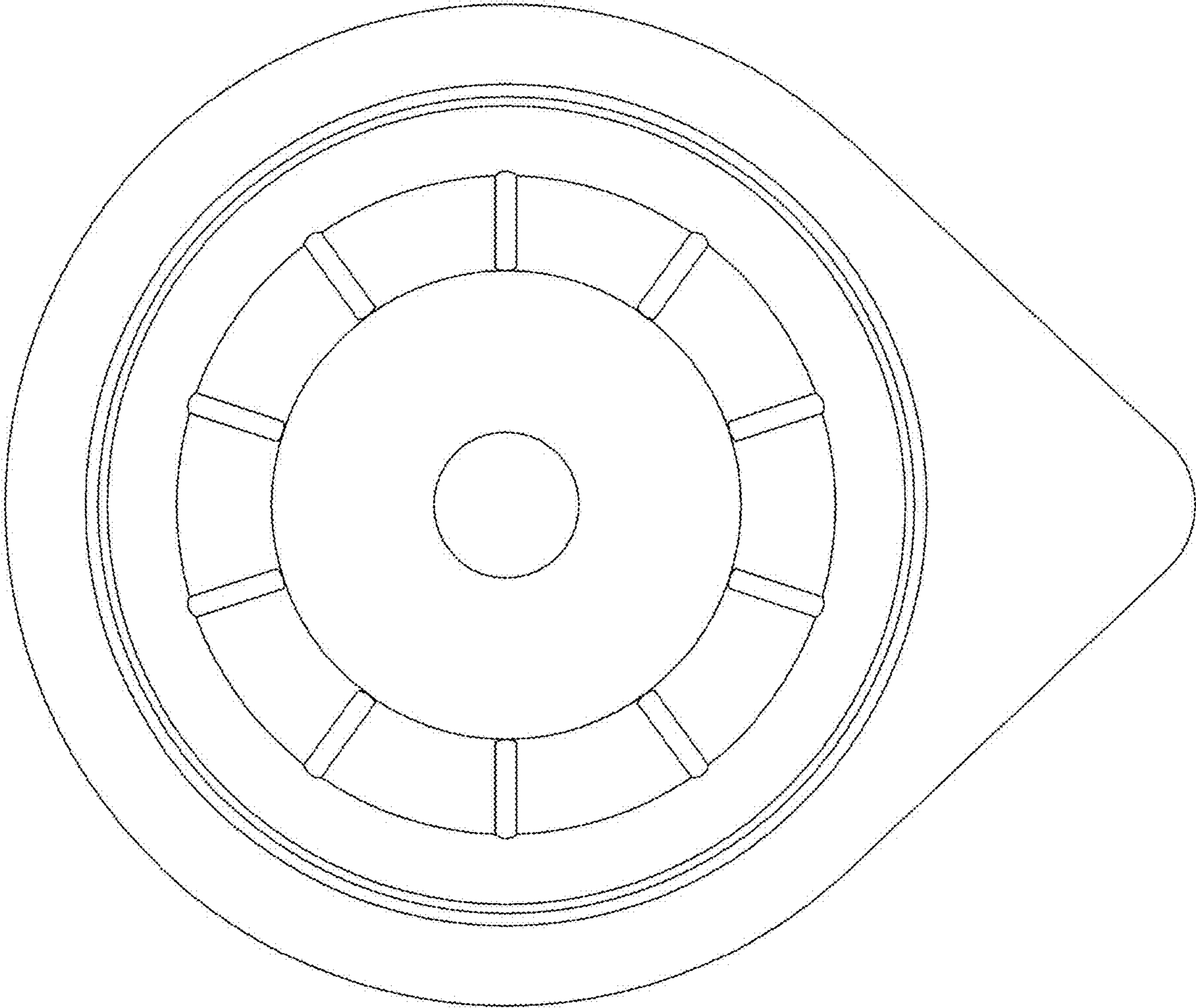
1.4



1.5



1.6



1.7

