



US00D78666S

(12) **United States Design Patent** (10) **Patent No.:** **US D786,666 S**  
**Bordieri et al.** (45) **Date of Patent:** **\*\* May 16, 2017**

(54) **CONTAINER WITH BUTTERFLY LID CLOSURE**

(71) Applicant: **State Garden, Inc.**, Chelsea, MA (US)

(72) Inventors: **Anthony Bordieri**, Medfore, MA (US); **Marco Tulio Barbier**, Dover, MA (US); **Hector Echaniz**, Brookline, MA (US); **Lawrence Murdoch**, Greenville, RI (US); **Michael Bransfield**, Revere, MA (US); **Joseph T. Ronchetti**, Cambridge, MA (US)

(73) Assignee: **STATE GARDEN, INC.**, Chelsea, MA (US)

(\*\*) Term: **15 Years**

(21) Appl. No.: **29/569,508**

(22) Filed: **Jun. 28, 2016**

**Related U.S. Application Data**

(63) Continuation of application No. 29/544,163, filed on Oct. 30, 2015, now abandoned, which is a continuation of application No. 29/519,240, filed on Mar. 3, 2015, now abandoned, which is a continuation of application No. 29/466,984, filed on Sep. 13, 2013, now abandoned.

(51) **LOC (10) Cl.** ..... **09-03**

(52) **U.S. Cl.**  
USPC ..... **D9/421**

(58) **Field of Classification Search**  
USPC ..... D9/414, 416, 420, 421, 422, 423, 424, D9/428, 449, 780; D3/202, 294, 304  
CPC ..... B65D 43/162; B65D 5/6664; B65D 2543/0296; B65D 5/001; B65D 43/22; B65D 43/16; B65D 43/169; B65D 43/0204; B65D 43/164; B65D 5/10; B65D 5/6629; B65D 5/6635

See application file for complete search history.

(56) **References Cited**

U.S. PATENT DOCUMENTS

D348,394	S	*	7/1994	Dreyer	.....	D9/424
D360,808	S	*	8/1995	Meier	.....	D7/554.3
D519,366	S	*	4/2006	Epstein	.....	D9/431
D623,482	S	*	9/2010	Lam	.....	D7/629
D643,717	S	*	8/2011	Reinhart	.....	D9/435
D649,869	S		12/2011	Gibson et al.		
D663,633	S	*	7/2012	Rivera	.....	D9/423
D664,425	S	*	7/2012	Krupa	.....	D9/420
8,360,262	B2		1/2013	Vovan		
D675,517	S		2/2013	Garza		
D675,920	S	*	2/2013	Sill	.....	D9/432
D684,465	S		6/2013	Vernon et al.		
D684,858	S	*	6/2013	Sill	.....	D9/421
D685,628	S		7/2013	Durdon et al.		

(Continued)

*Primary Examiner* — Ian Simmons

*Assistant Examiner* — Keith Frank

(74) *Attorney, Agent, or Firm* — Buchanan Ingersoll & Rooney PC

(57) **CLAIM**

The ornamental design for a container with butterfly lid closure, as shown and described.

**DESCRIPTION**

FIG. 1 is a front perspective view of the container with butterfly lid closure in a closed condition, showing our new design.

FIG. 2 is a top view thereof.

FIG. 3 is a bottom view thereof.

FIG. 4 is a front view thereof.

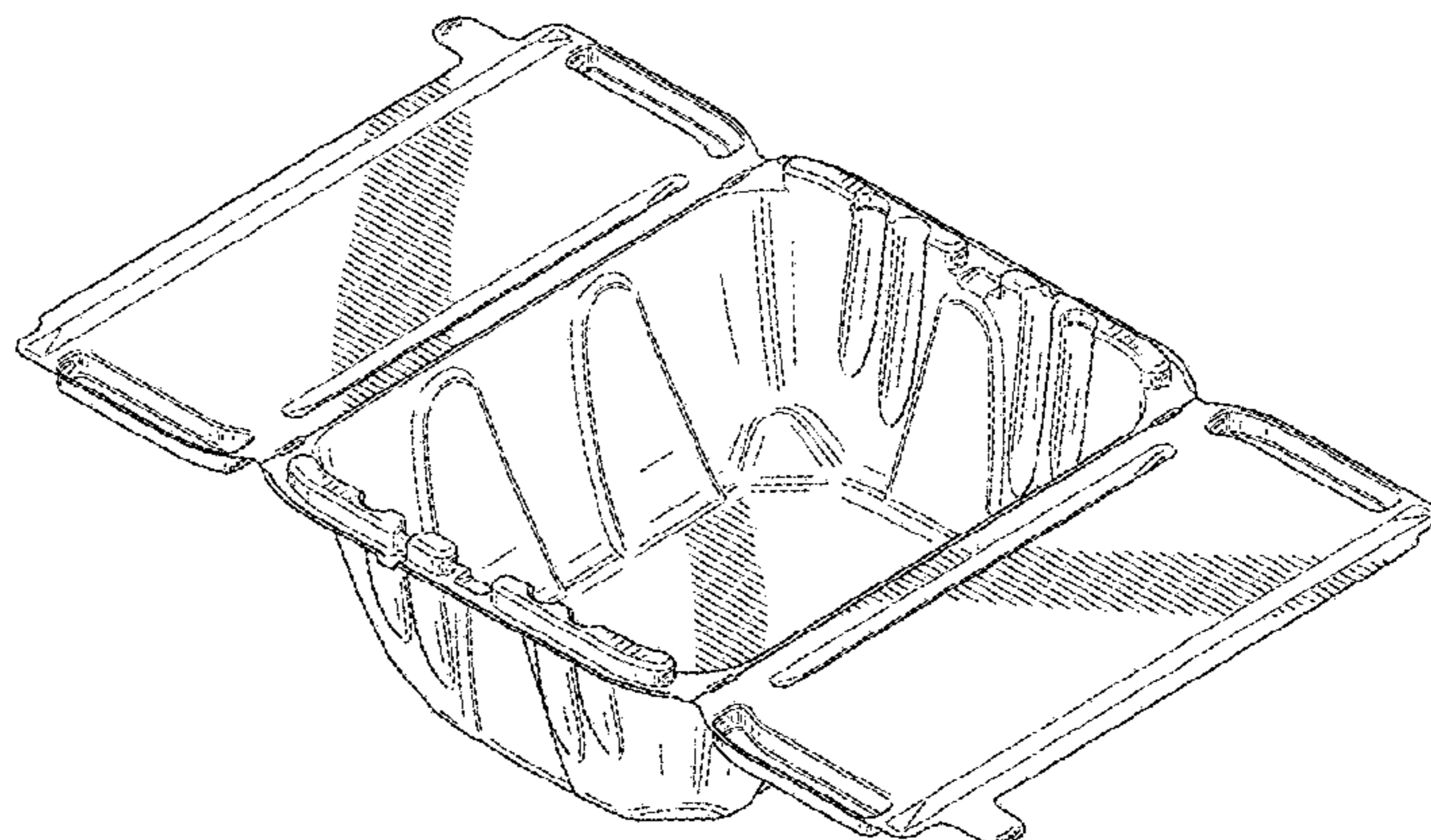
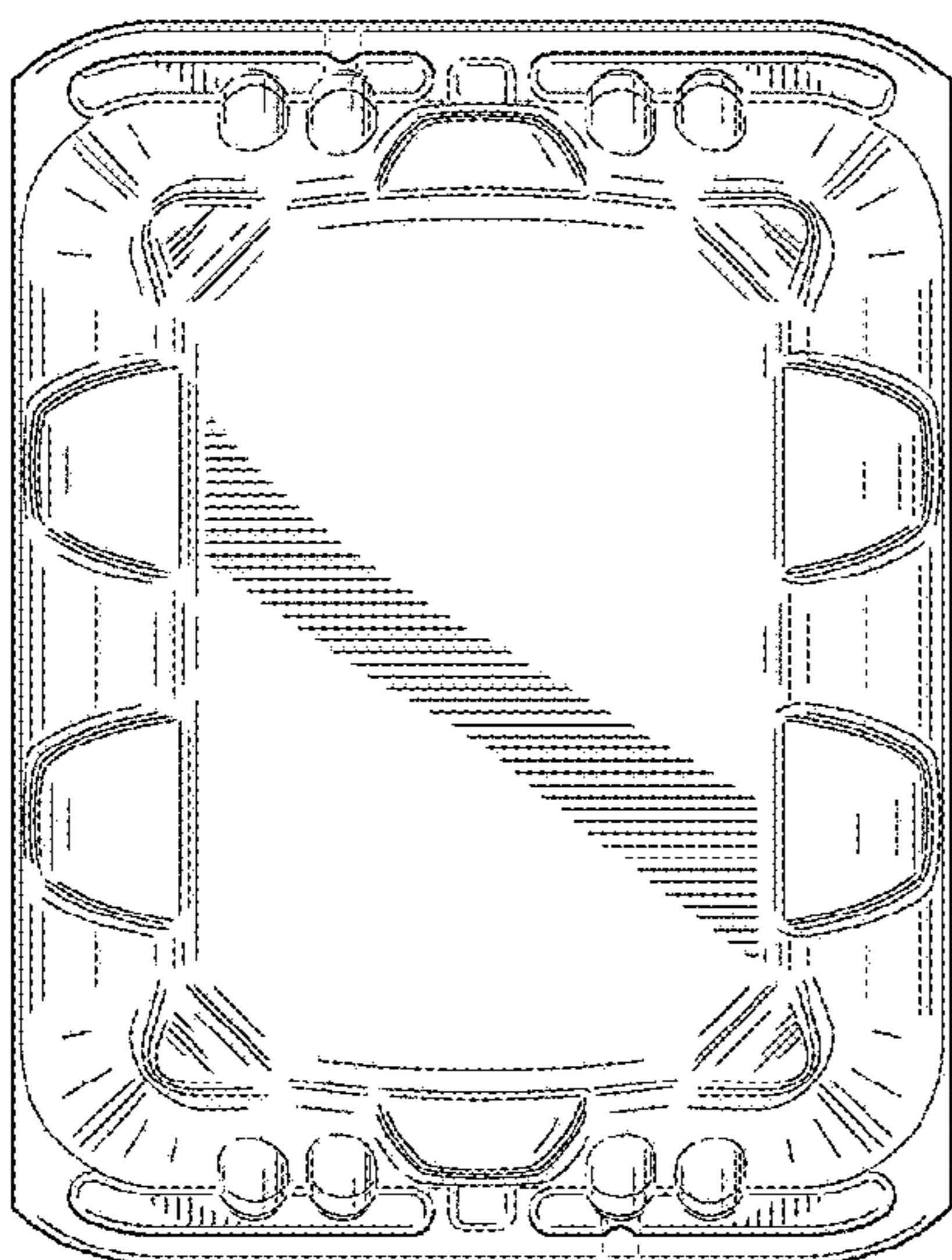
FIG. 5 is a rear view thereof.

FIG. 6 is a ride side view thereof.

FIG. 7 is a left side view thereof; and,

FIG. 8 is front perspective view thereof, in an open condition.

**1 Claim, 6 Drawing Sheets**



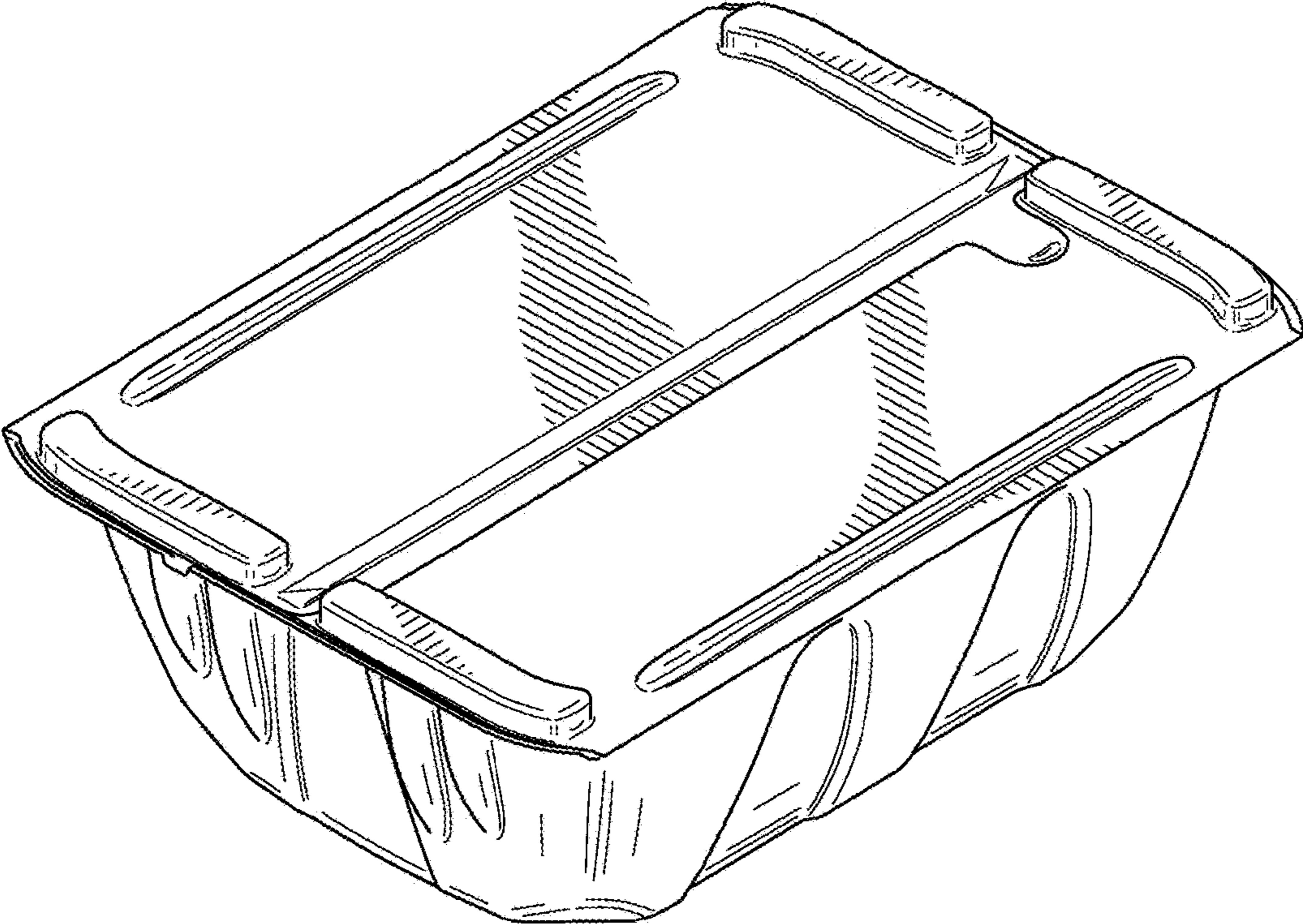
(56)

**References Cited**

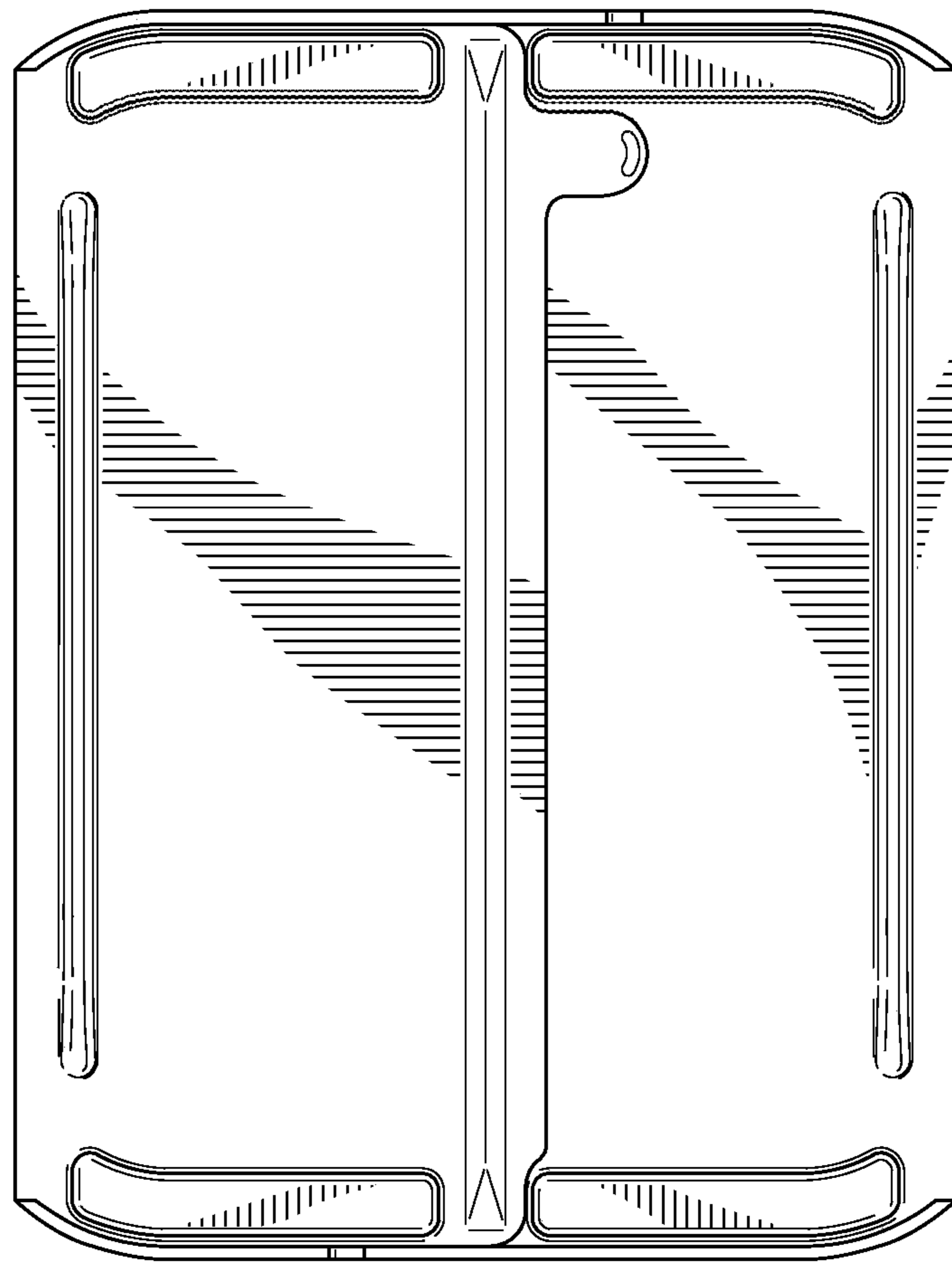
U.S. PATENT DOCUMENTS

D687,706	S *	8/2013	Akana .....	D9/414
D688,552	S	8/2013	Vernon et al.	
D693,215	S *	11/2013	Sill .....	D9/418
D694,617	S	12/2013	Liu	
8,608,008	B2	12/2013	Gingras et al.	
D697,795	S *	1/2014	Garza .....	D9/424
8,684,212	B2	4/2014	Stone et al.	
D706,132	S	6/2014	Sill	
D708,941	S	7/2014	Das	
D739,228	S *	9/2015	Jondal .....	D9/421
D742,218	S *	11/2015	Astorga .....	D9/424
D742,225	S *	11/2015	Das .....	D9/421
D750,480	S *	3/2016	Snedden .....	D9/426
2007/0045317	A1	3/2007	Rosender et al.	
2013/0068654	A1	3/2013	MacDonald	
2014/0021214	A1 *	1/2014	Jack .....	B65D 43/0202 220/826
2015/0060454	A1 *	3/2015	Kowal .....	B65D 43/169 220/269
2015/0076168	A1 *	3/2015	Barbier .....	B65D 43/162 220/826

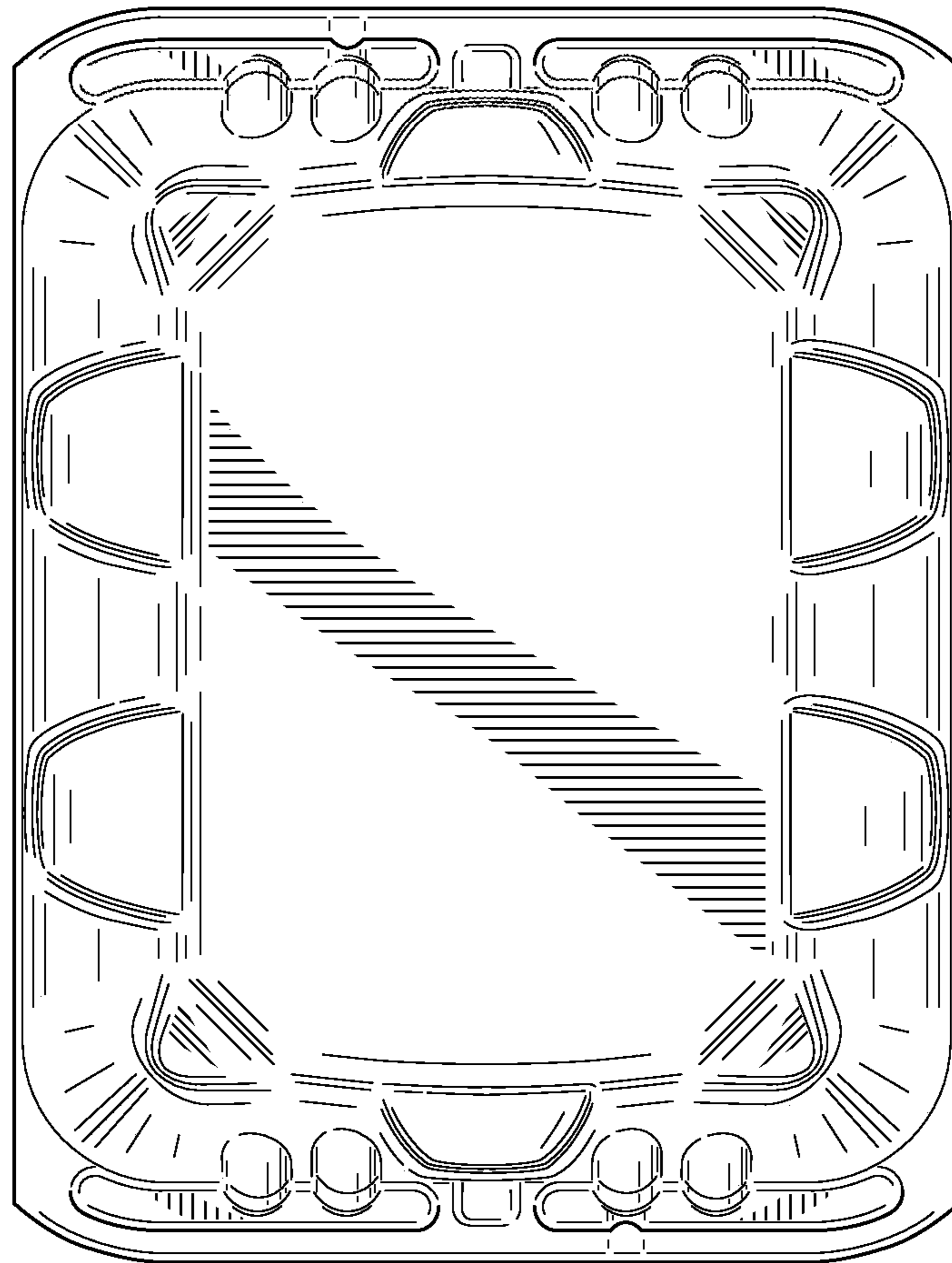
\* cited by examiner



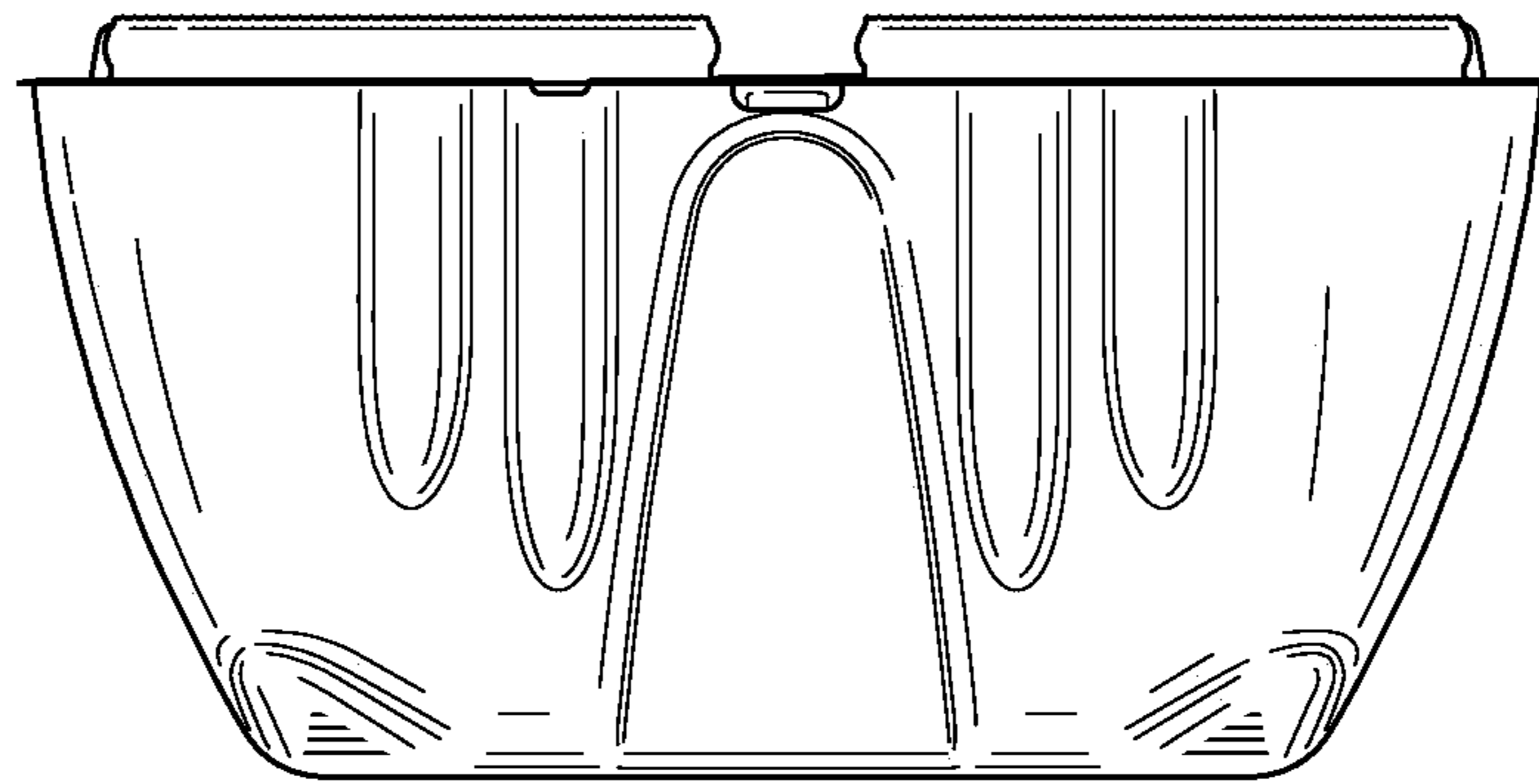
**FIG. 1**



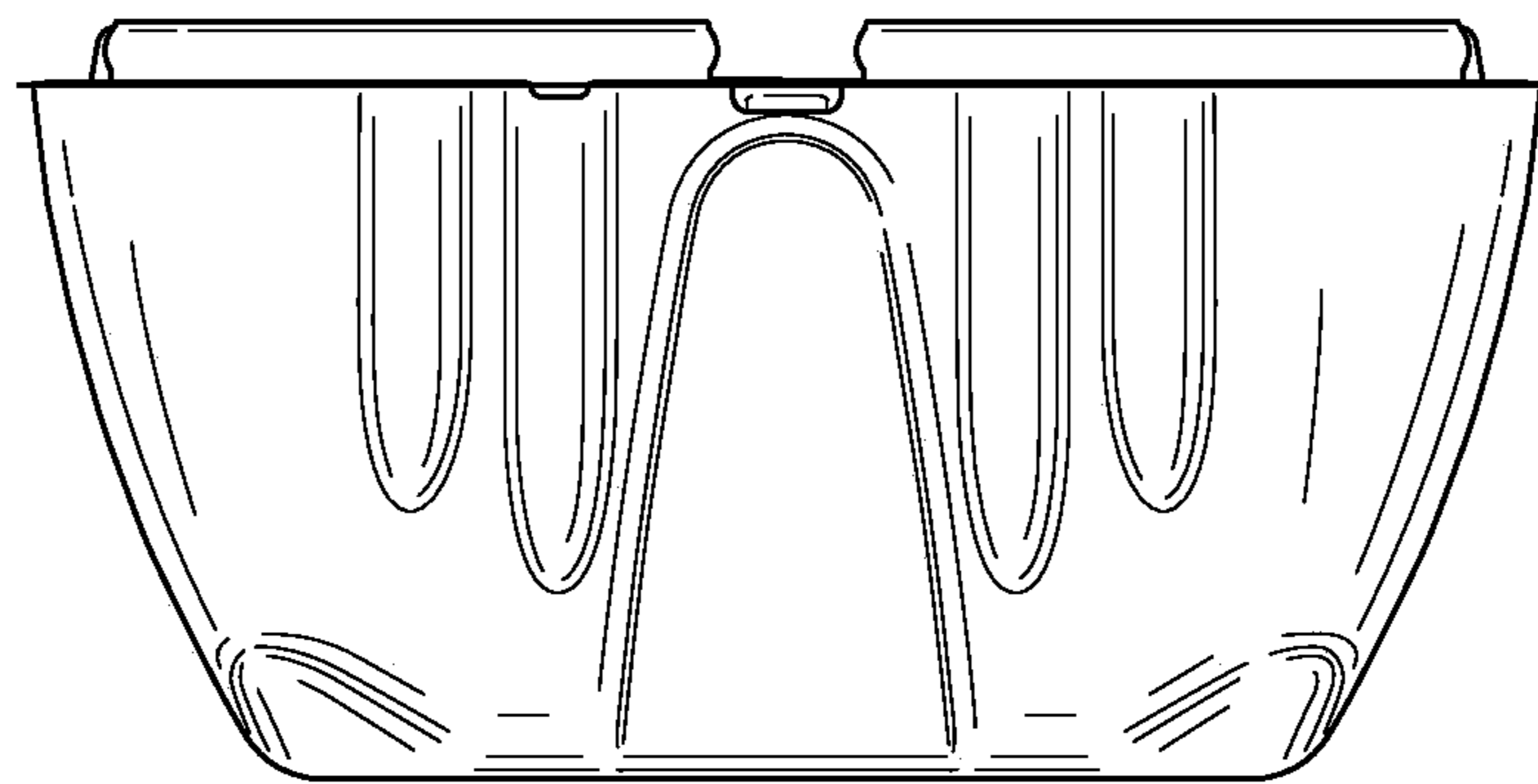
**FIG. 2**



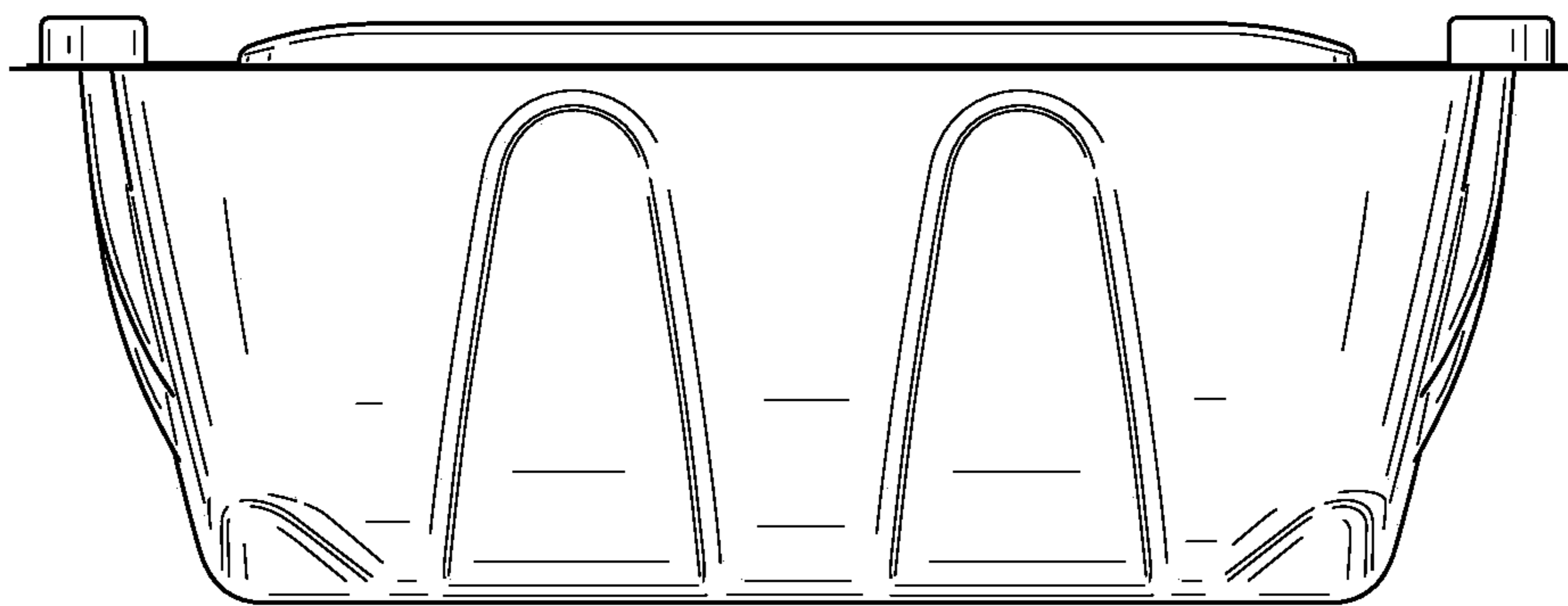
**FIG. 3**



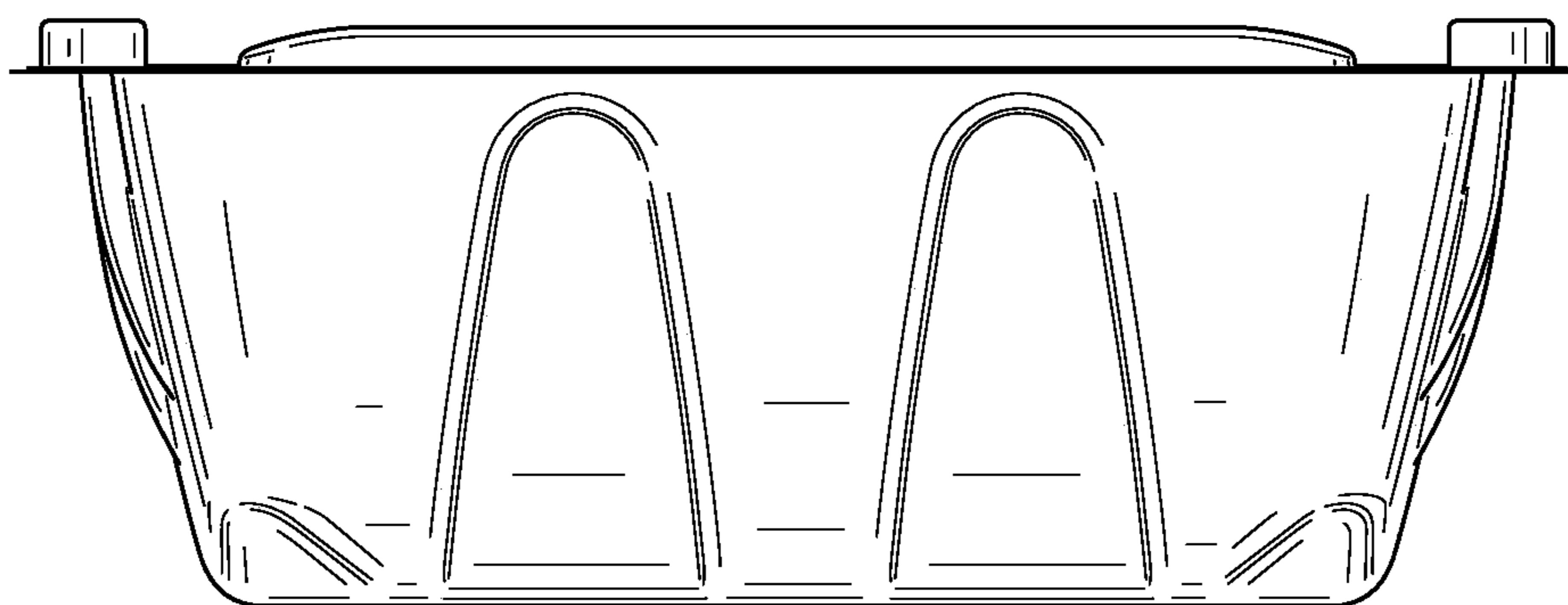
**FIG. 4**



**FIG. 5**



**FIG. 6**



**FIG. 7**

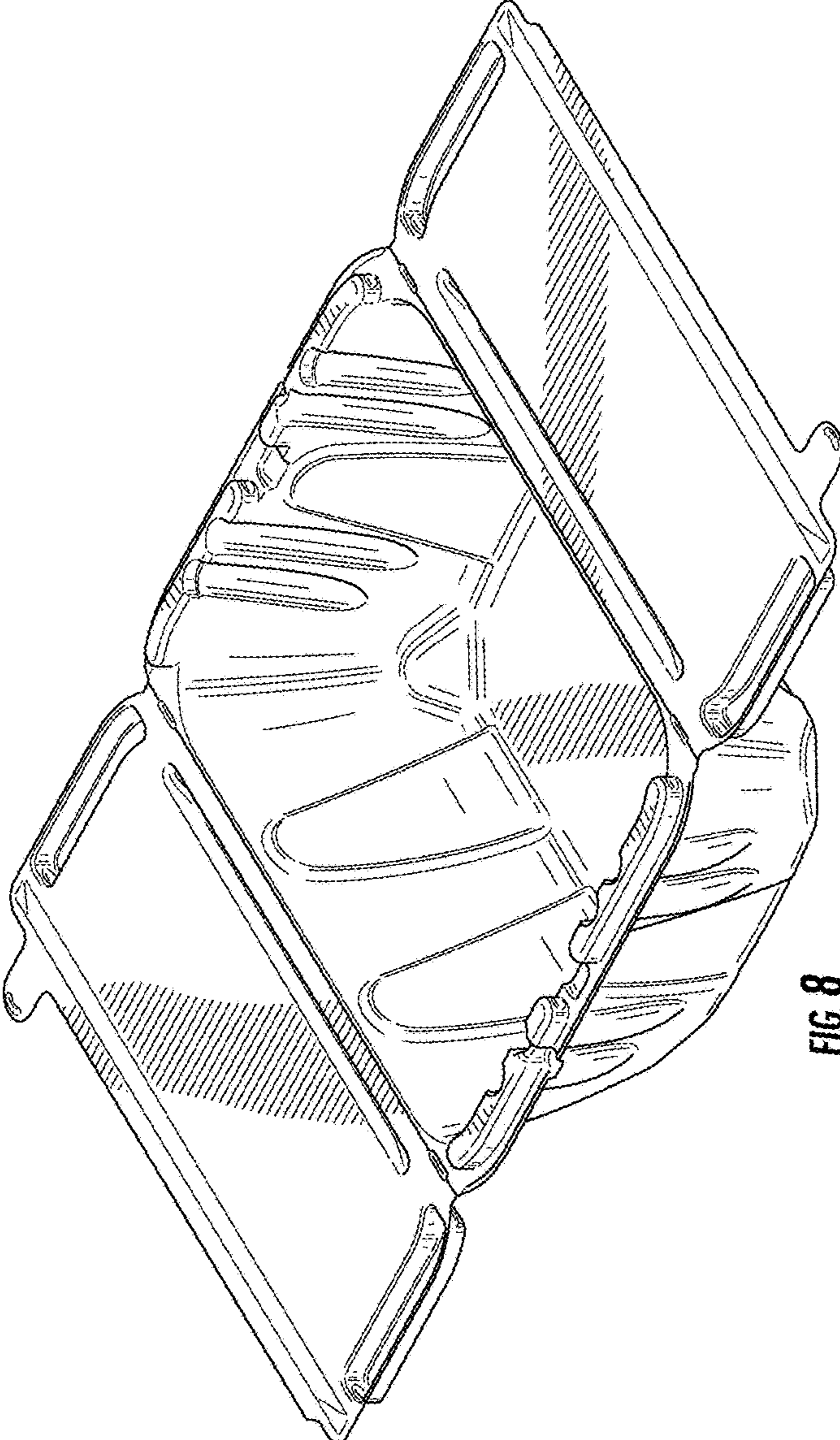


FIG. 8