



US00D786663S

(12) **United States Design Patent** (10) **Patent No.:** **US D786,663 S**
Mayer et al. (45) **Date of Patent:** **** *May 16, 2017**

- (54) **CLOSEABLE CONTAINER**
- (71) Applicant: **Inno-Pak, LLC**, Delaware, OH (US)
- (72) Inventors: **Steven A. Mayer**, Indianapolis, IN (US); **Jonathan D. Sill**, Powell, OH (US)
- (73) Assignee: **Inno-Pak, LLC**, Delaware, OH (US)

- D578,883 S 10/2008 Kisch
- D602,353 S 10/2009 Anderson et al.
- D626,831 S 11/2010 Nicholas
- D636,662 S * 4/2011 Ignacio D9/418
- D649,067 S * 11/2011 Birdwell D9/418
- D675,092 S * 1/2013 Sill D9/431
- D678,779 S 3/2013 Lee
- D679,950 S 4/2013 Cooper
- D681,444 S 5/2013 Oja et al.
- D693,215 S 11/2013 Sill
- D693,216 S * 11/2013 Sill D9/418

(*) Notice: This patent is subject to a terminal disclaimer.

(**) Term: **15 Years**

(21) Appl. No.: **29/545,297**

(22) Filed: **Nov. 11, 2015**

Related U.S. Application Data

- (63) Continuation of application No. 29/516,707, filed on Feb. 5, 2015.
- (51) **LOC (10) Cl.** **09-03**
- (52) **U.S. Cl.**
USPC **D9/418**
- (58) **Field of Classification Search**
USPC D9/414-419, 499, 431, 432, 422, 421;
D19/91; D7/612; 206/589
CPC B65D 5/4204
See application file for complete search history.

(56) **References Cited**

U.S. PATENT DOCUMENTS

- D259,253 S 5/1981 Nelson
- D365,755 S 1/1996 Kanfer et al.
- D372,401 S * 8/1996 Lillelund D7/612
- D415,960 S * 11/1999 Majdanski D9/415
- D469,349 S 1/2003 Meeker et al.
- D469,692 S * 2/2003 Meeker D9/431
- D519,366 S * 4/2006 Epstein D9/431
- D536,245 S * 2/2007 Bruun D9/422
- D536,612 S * 2/2007 Geurts D9/432

(Continued)

OTHER PUBLICATIONS

Notice of Allowance dated Apr. 18, 2016 from U.S. Appl. No. 29/527,085.
Office Action dated Feb. 1, 2016 from U.S. Appl. No. 29/516,707.

Primary Examiner — Rhea Shields
(74) *Attorney, Agent, or Firm* — Ward and Smith, P.A.;
Ryan K. Simmons

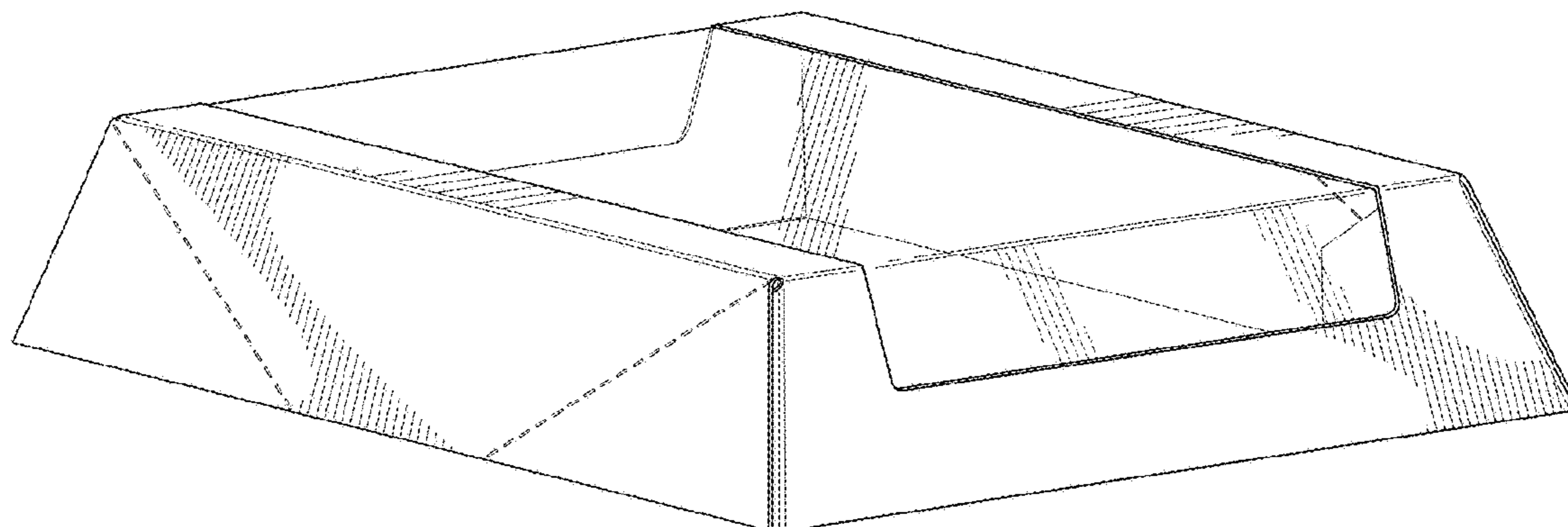
(57) **CLAIM**

The ornamental design for a closeable container, as shown and described.

DESCRIPTION

FIG. 1 is a perspective view of a closeable container showing a new design;
FIG. 2 is a right side view thereof, the left being a mirror image;
FIG. 3 is a front elevation view thereof, the rear being a mirror image;
FIG. 4 is a top plan view thereof;
FIG. 5 is a bottom plan view thereof; and,
FIG. 6 is another perspective view thereof, showing the closeable container in an open configuration.
In FIGS. 1, 2, 4 and 6 the dash-dash broken lines are for the purpose of illustrating perforations and form a part of the claimed design.

1 Claim, 6 Drawing Sheets



(56)

References Cited

U.S. PATENT DOCUMENTS

D693,217	S	*	11/2013	Sill	D9/418
D693,218	S		11/2013	Sill	
D695,104	S	*	12/2013	Sill	D9/418
D696,725	S	*	12/2013	Sasken-Duff	D19/91
8,607,987	B2		12/2013	Oja et al.	
D706,132	S	*	6/2014	Sill	D9/432
D712,275	S	*	9/2014	Irek	D9/418
D713,716	S		9/2014	Oja et al.	
D716,649	S	*	11/2014	McAdam	D9/418
D719,440	S		12/2014	Matloff	
D727,732	S	*	4/2015	Petty	D9/415
D729,055	S		5/2015	Lemnios et al.	
D739,228	S	*	9/2015	Jondal	D9/421
D746,700	S		1/2016	Boehnen et al.	
2009/0236351	A1		9/2009	Chu et al.	
2015/0344216	A1	*	12/2015	Petty	B65D 5/4204 206/589

* cited by examiner

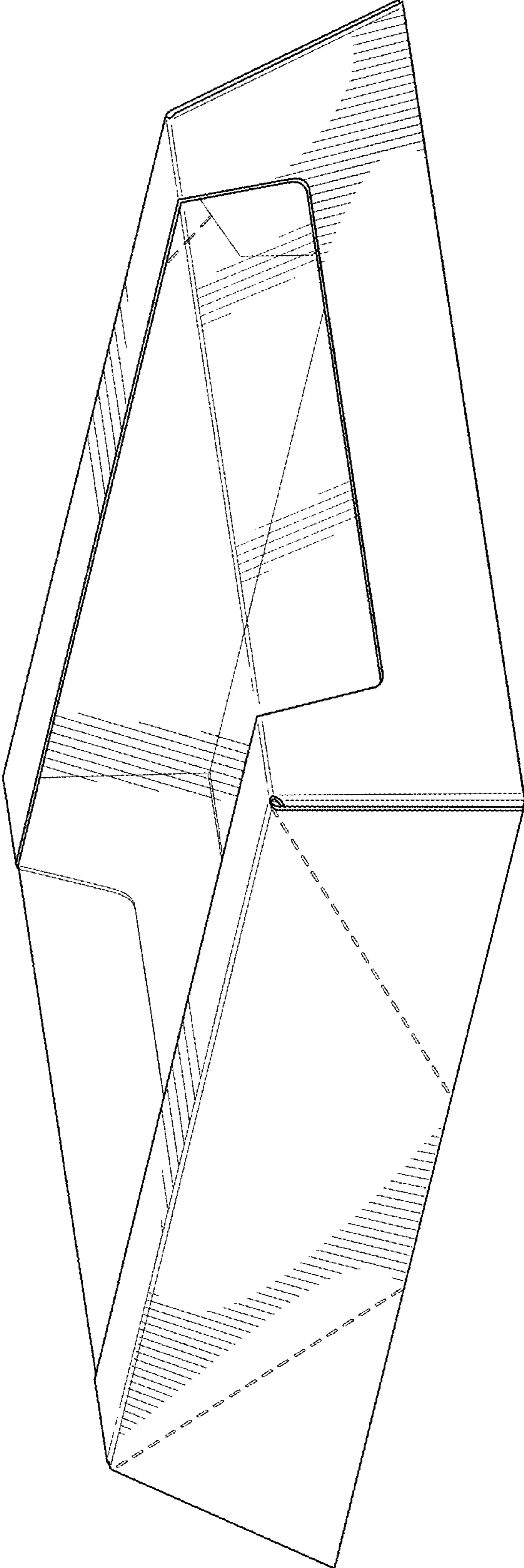


FIG. 1

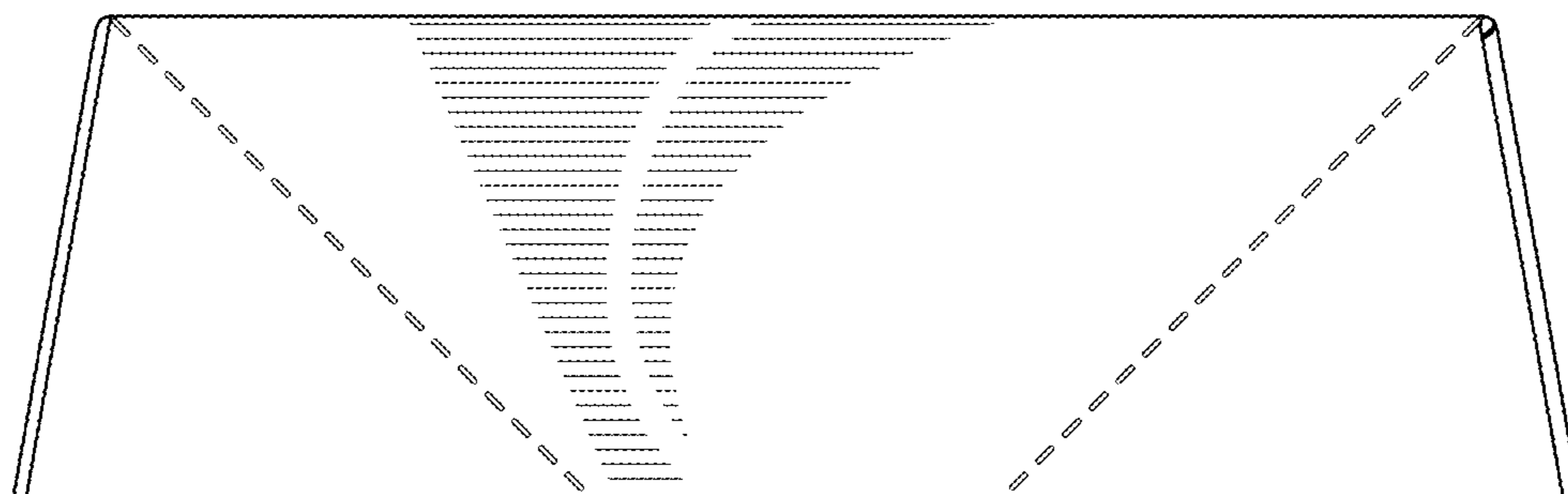


FIG. 2

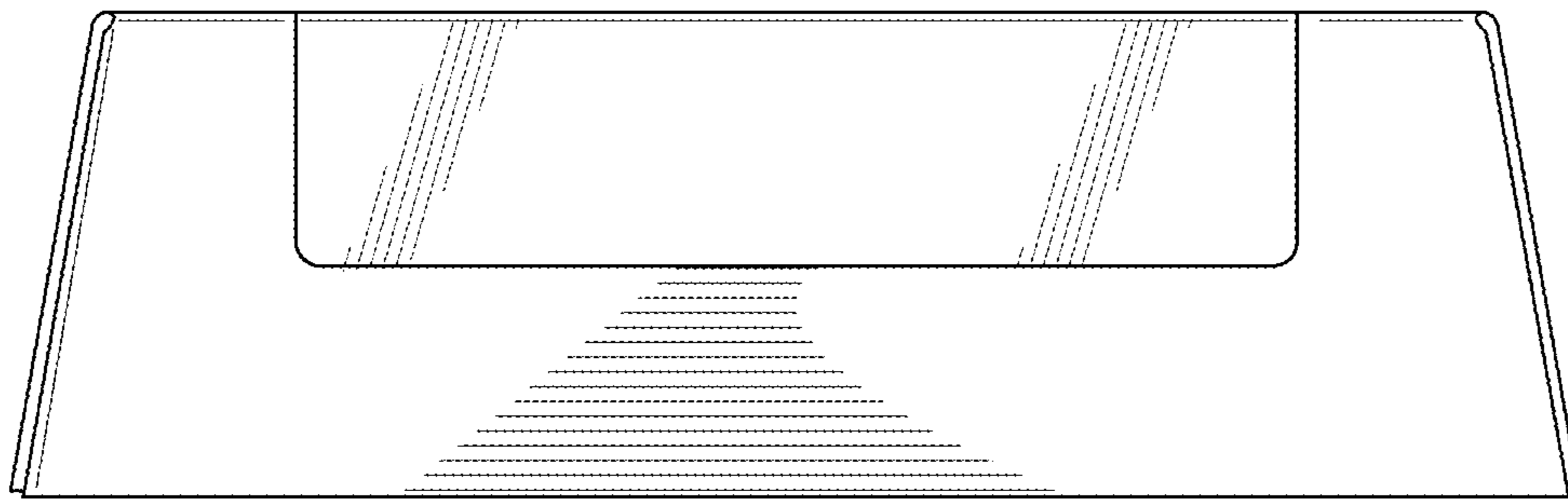


FIG. 3

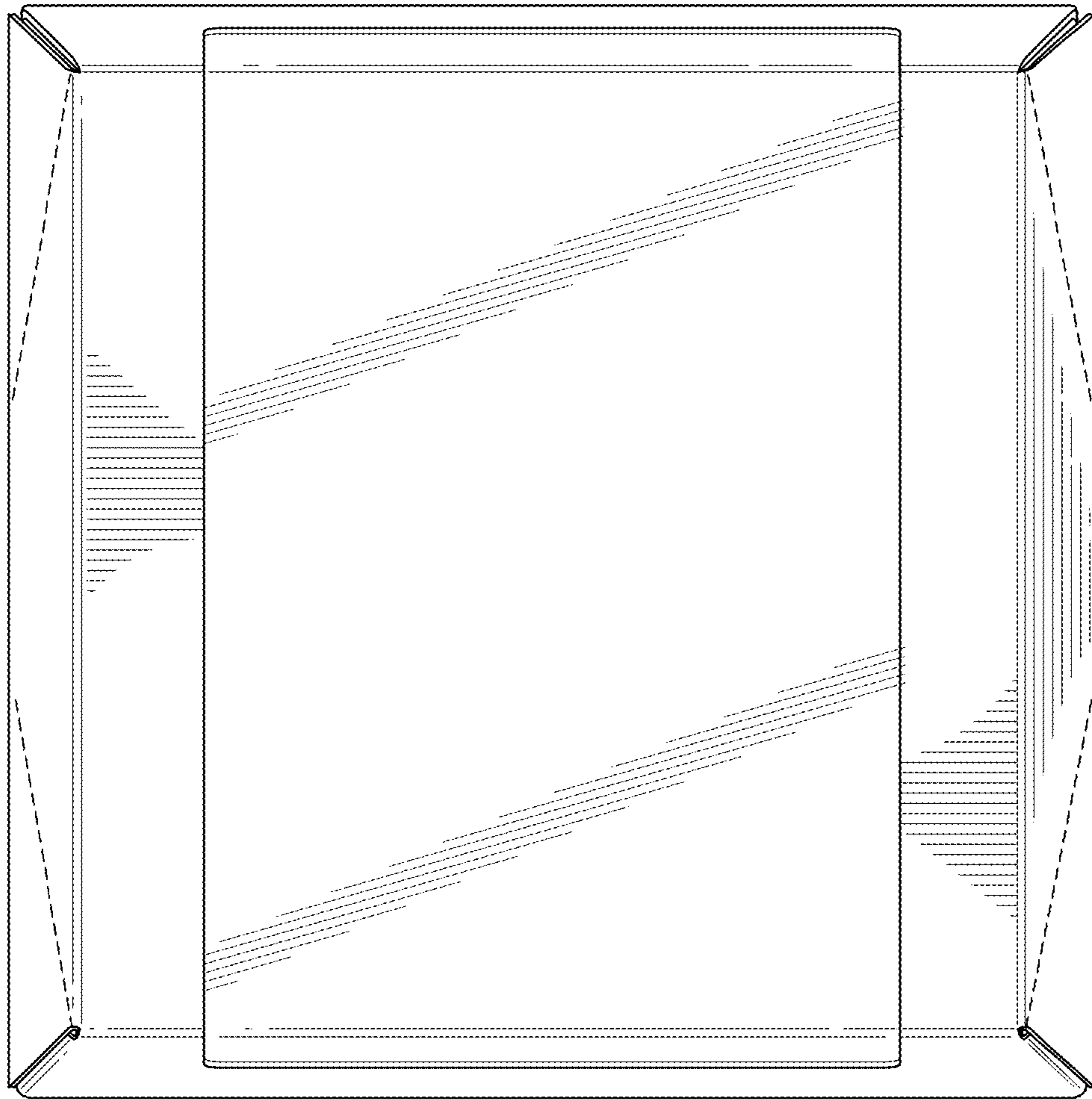


FIG. 4

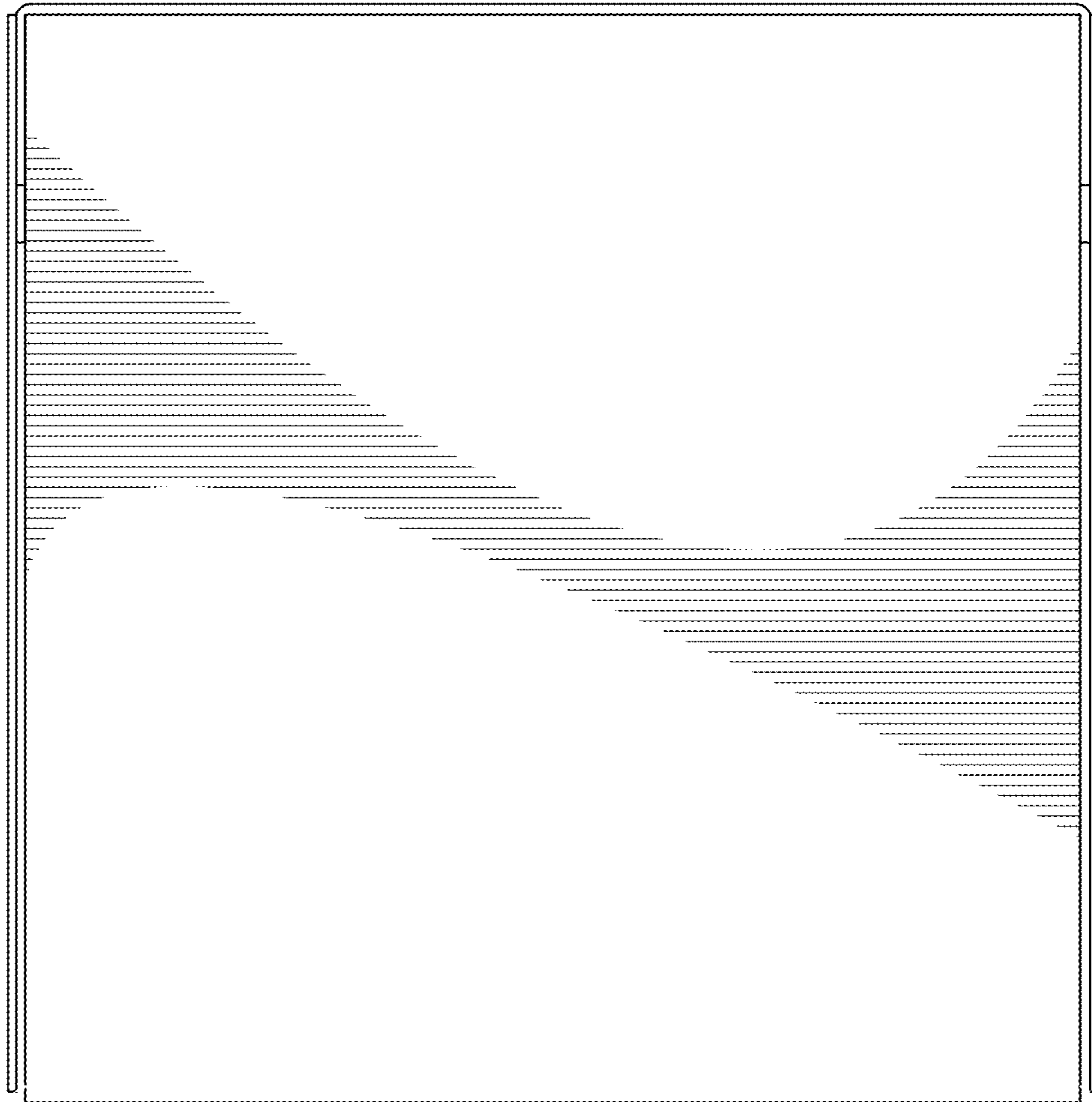


FIG. 5

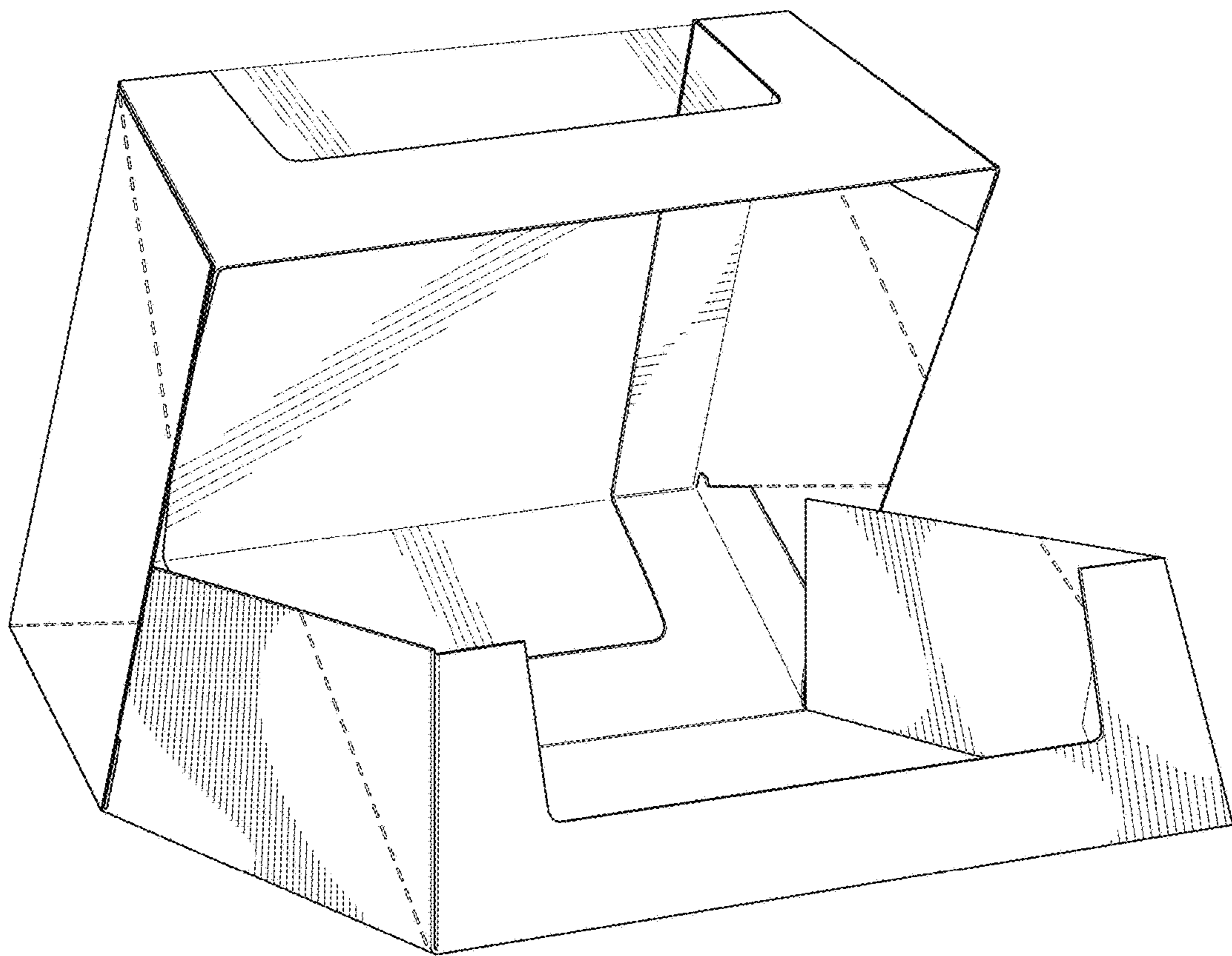


FIG. 6