



US00D786662S

(12) **United States Design Patent** (10) **Patent No.:** **US D786,662 S**  
**Gutierrez Villanueva** (45) **Date of Patent:** **\*\* May 16, 2017**

(54) **PACKAGE FOR PRODUCTS**

(71) Applicant: **Jose Luis Gutierrez Villanueva**,  
Toledo (ES)

(72) Inventor: **Jose Luis Gutierrez Villanueva**,  
Toledo (ES)

(73) Assignee: **Margarita Gutierrez Villaneuva**,  
Toledo (ES)

(\*\*) Term: **14 Years**

(21) Appl. No.: **29/521,931**

(22) Filed: **Mar. 26, 2015**

(30) **Foreign Application Priority Data**

Oct. 2, 2014 (EM) ..... 002549790-0001

(51) **LOC (10) Cl.** ..... **09-03**

(52) **U.S. Cl.**  
USPC ..... **D9/418**

(58) **Field of Classification Search**  
USPC ..... D9/414-419, 499, 734, 431, 422;  
221/63; D14/489; 333/113; 211/78;  
248/523

CPC ... B65D 5/2042; H01Q 21/005; B01F 9/0021;  
E04C 5/161

See application file for complete search history.

(56) **References Cited**

U.S. PATENT DOCUMENTS

4,952,894	A *	8/1990	Connerney	.....	H01Q 21/005 333/113
5,906,434	A *	5/1999	Berrios	.....	B01F 9/0021 211/78
5,943,836	A *	8/1999	Kassardjian	.....	E04C 5/161 248/523
D427,065	S *	6/2000	Sagel	.....	D9/422
D439,838	S *	4/2001	Sagel	.....	D9/416
D442,083	S *	5/2001	Hoffman	.....	D9/431
D529,815	S *	10/2006	Frasier	.....	D9/431
D575,635	S *	8/2008	Rozenzweig	.....	D9/418
D591,618	S *	5/2009	Keberlein	.....	D9/414
D672,233	S *	12/2012	Green	.....	D9/431
D672,661	S *	12/2012	Hora	.....	D9/734
D693,366	S *	11/2013	Daniel	.....	D14/489
D695,102	S *	12/2013	Keberlein	.....	D9/416
2005/0000976	A1 *	1/2005	Keberlein	.....	B65D 5/2042 221/63

\* cited by examiner

*Primary Examiner* — Rhea Shields

(74) *Attorney, Agent, or Firm* — Lucas & Mercanti, LLP

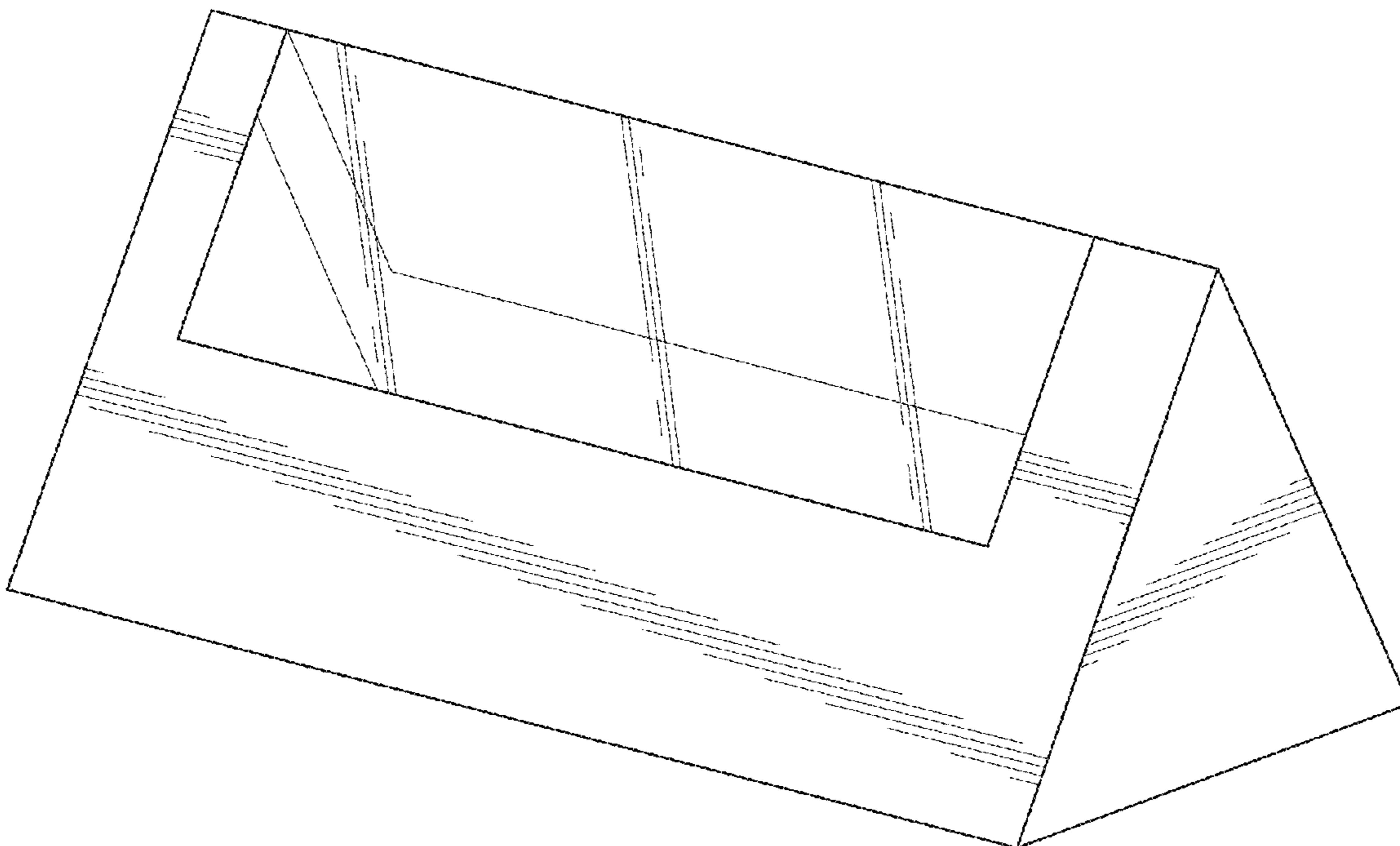
(57) **CLAIM**

The ornamental design for a package for products, as shown and described.

**DESCRIPTION**

FIG. 1 is a front perspective view of a package for products which is identical to the back perspective view thereof; and, FIG. 2 is a top view of the packaging for products.

**1 Claim, 2 Drawing Sheets**



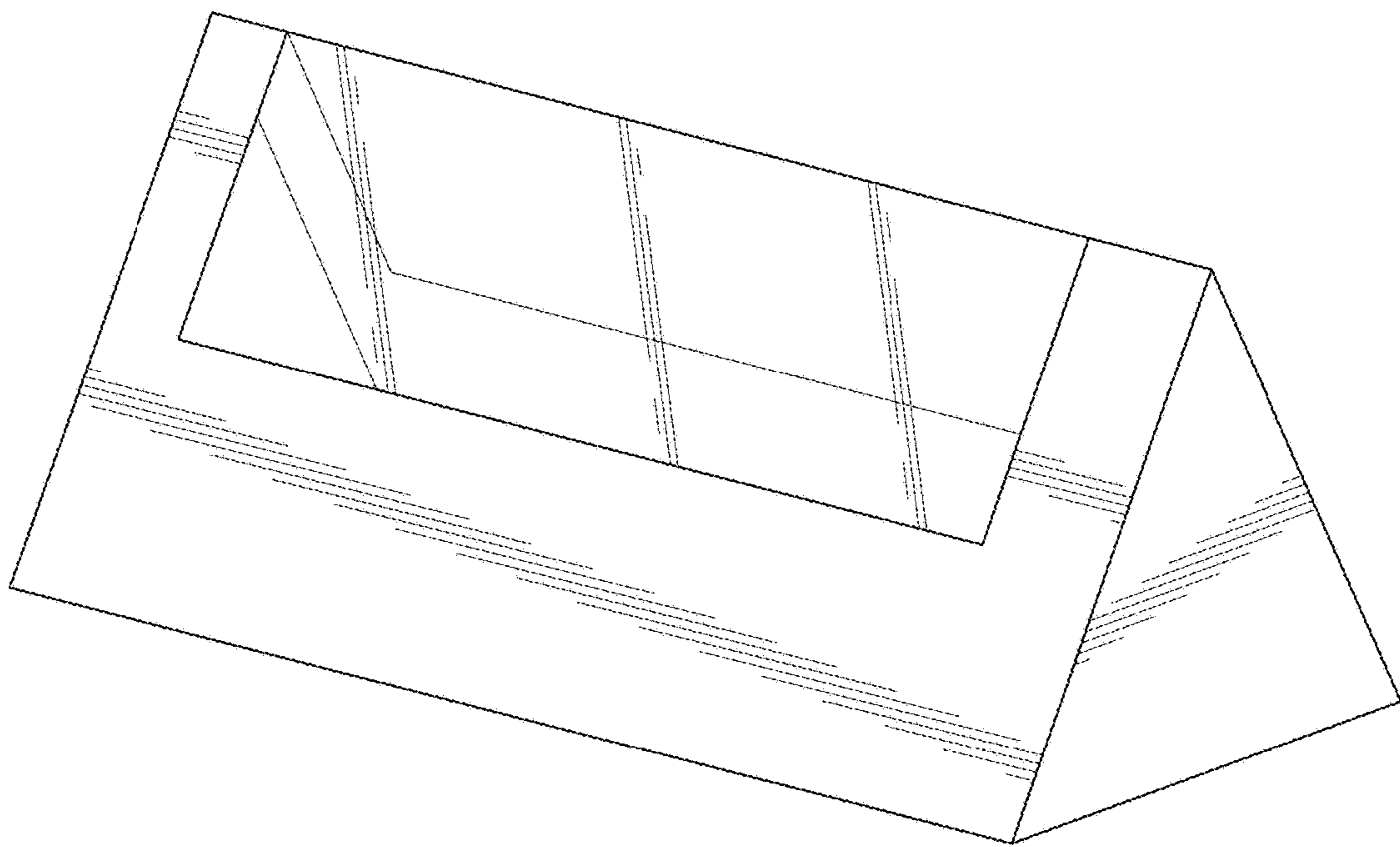


FIG. 1

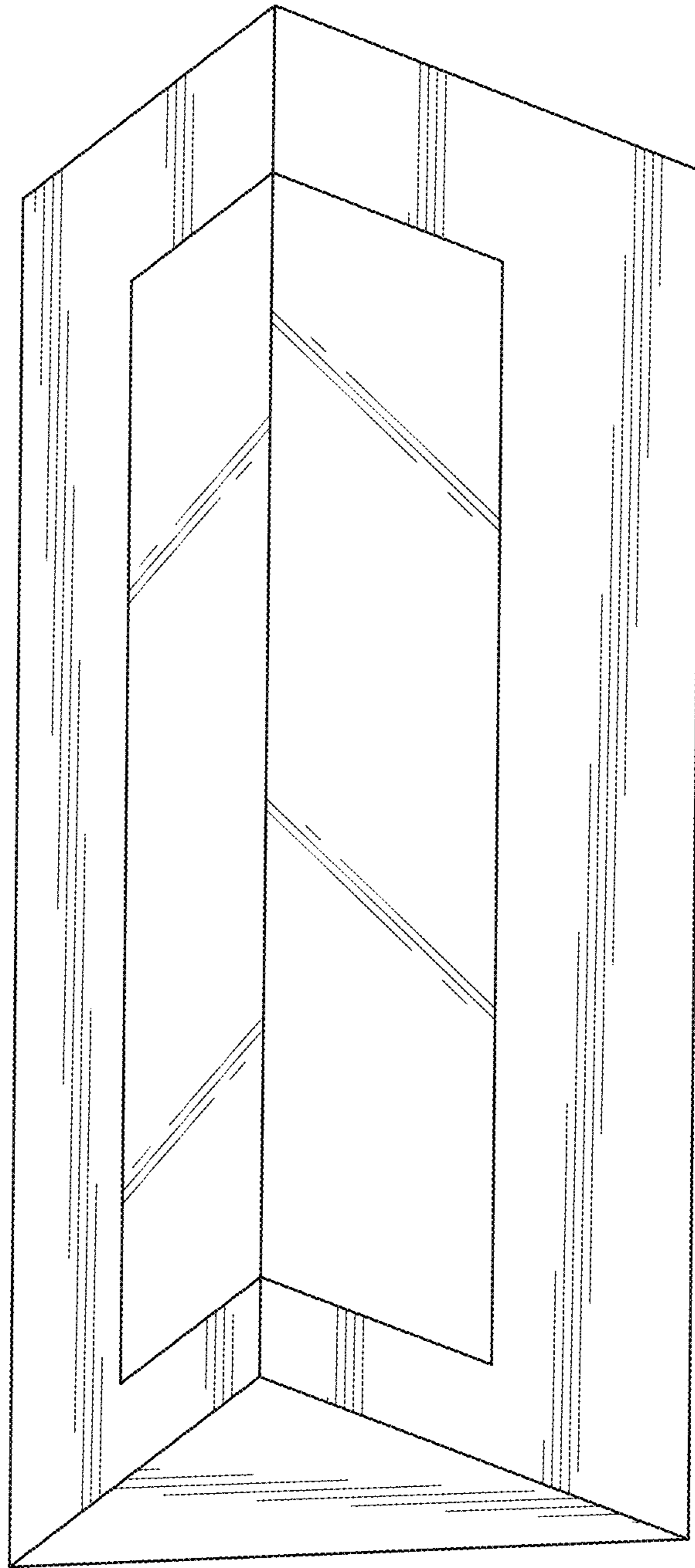


FIG. 2