



US00D786661S

(12) **United States Design Patent** (10) **Patent No.:** **US D786,661 S**
Wright (45) **Date of Patent:** **** May 16, 2017**

(54) **COAXIAL CABLE GRIP**

FOREIGN PATENT DOCUMENTS

(71) Applicant: **Jim Wright**, Sacramento, CA (US)

CN 3662111 * 6/2011
EP 0685910 A2 12/1995

(72) Inventor: **Jim Wright**, Sacramento, CA (US)

OTHER PUBLICATIONS

(73) Assignee: **J Wright Concepts**, Sacramento, CA (US)

Rack of Lamb post w image of bone frill, no date, http://www.dvo.com/recipe_pages/weber/-Lamb.php, [site visited Jan. 3, 2017 5:39:05 PM].*

(**) Term: **15 Years**

(Continued)

(21) Appl. No.: **29/557,464**

Primary Examiner — John Windmuller

Assistant Examiner — John R Yeh

(22) Filed: **Mar. 9, 2016**

(74) *Attorney, Agent, or Firm* — Dunlap Bennett & Ludwig PLLC

(51) **LOC (10) Cl.** **08-08**

(52) **U.S. Cl.**

USPC **D8/396**

(58) **Field of Classification Search**

USPC D8/394-397; D32/35, 40-42, 51-52

CPC A45D 2/36; A45D 6/04

See application file for complete search history.

(57) **CLAIM**

The ornamental design for a coaxial cable grip, as shown and described.

DESCRIPTION

FIG. 1 is a front perspective view of the coaxial cable grip; FIG. 2 is a front elevation view of the coaxial cable grip, the rear elevation view being an identical image thereof; FIG. 3 is a left side elevation view of the coaxial cable grip, the right side elevation being an identical image thereof; FIG. 4 is a top plan view thereof; FIG. 5 is a bottom plan view thereof; and, FIG. 6 is a front perspective view of the coaxial cable grip in use.

The broken lines shown in the drawings illustrate portions of the coaxial cable grip that form no part of the claimed design.

The coaxial cable grip is shown with a symbolic break in its length. The appearance of any portion of the article between the break lines forms no part of the claimed design.

The broken lines in FIG. 6 showing the coaxial cable grip in use illustrates environment and forms no part of the claim.

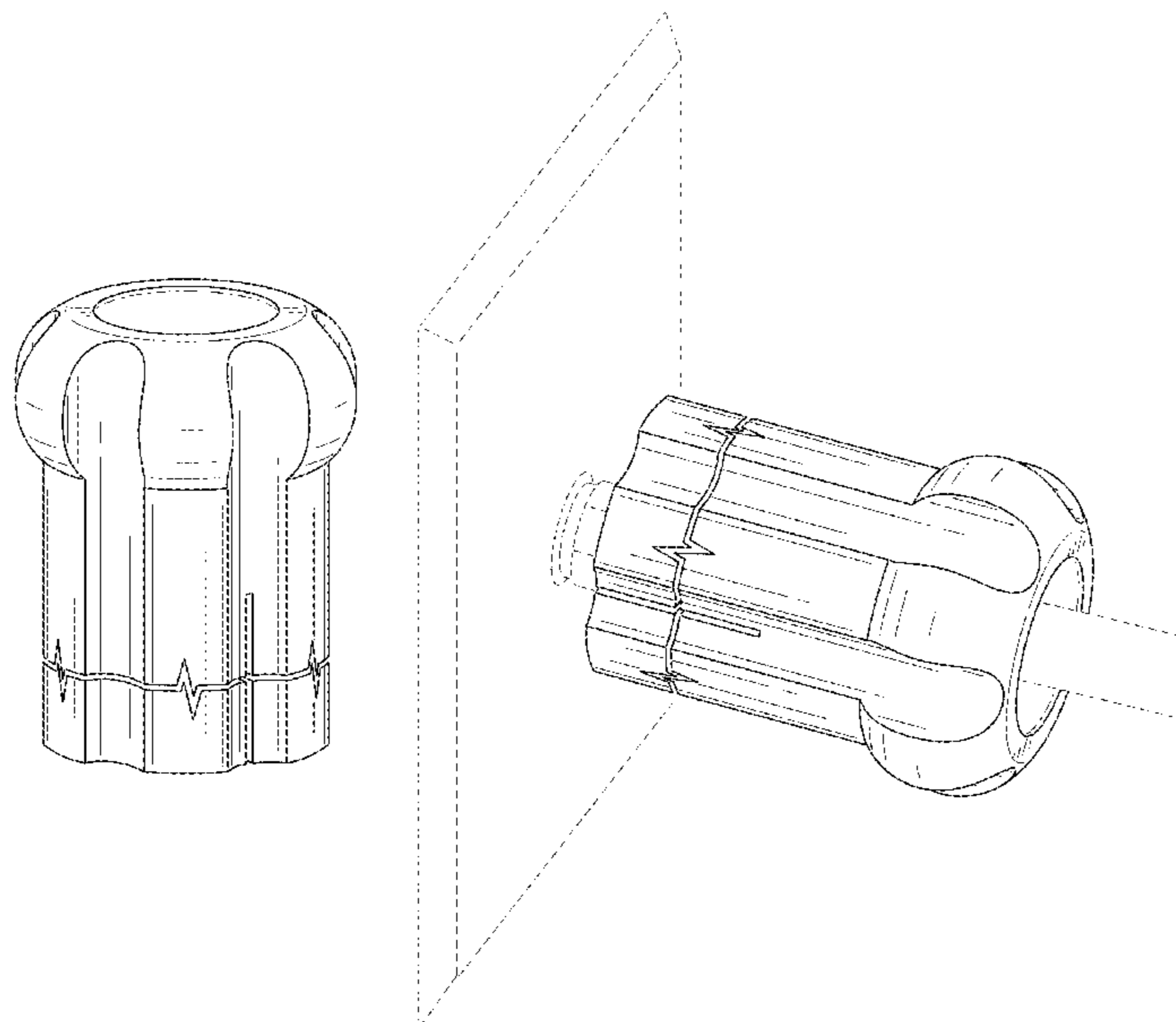
(56) **References Cited**

U.S. PATENT DOCUMENTS

3,854,789	A	12/1974	Kaplan	
D238,242	S *	12/1975	Schwartzman	D32/52
D368,020	S *	3/1996	Shirai	D8/397
D370,624	S *	6/1996	DiBiagio	D8/382
D393,508	S *	4/1998	Rademacher	D32/52
D412,435	S *	8/1999	Cultice, Jr.	D8/397
D414,680	S *	10/1999	Mathews	D8/394
D449,515	S *	10/2001	Sato	D8/397
D504,113	S	4/2005	Montena	
D547,172	S *	7/2007	Kent	D8/397
D549,567	S *	8/2007	Hamu	D8/397
7,296,382	B2 *	11/2007	Sack	E04B 1/4121 294/89
D568,969	S *	5/2008	Bucchi	D23/262

(Continued)

1 Claim, 3 Drawing Sheets



(56)

References Cited

U.S. PATENT DOCUMENTS

7,435,135 B2 10/2008 Wlos
D600,546 S * 9/2009 Scilingo D8/397
D612,716 S * 3/2010 Lutz D8/397
7,727,011 B2 6/2010 Montena et al.
D640,536 S * 6/2011 Larsen D8/394
D640,984 S 7/2011 Derenthal et al.
8,287,310 B2 10/2012 Burris et al.
8,444,433 B2 5/2013 Snyder et al.
D702,543 S * 4/2014 Bell D8/397
D711,732 S * 8/2014 Schermer D8/397
D724,936 S * 3/2015 Coronado D8/397
D736,358 S * 8/2015 Melo D23/262
D738,714 S * 9/2015 Kuhmichel D8/397
D739,224 S * 9/2015 Hayman D8/396
2012/0248128 A1 * 10/2012 Chohfi B65D 25/22
220/769

OTHER PUBLICATIONS

RV Cable Grip New for 2016, <http://rvcablegrip.com/>, [site visited
Jan. 3, 2017 6:03:37 PM].*

* cited by examiner

FIG. 1

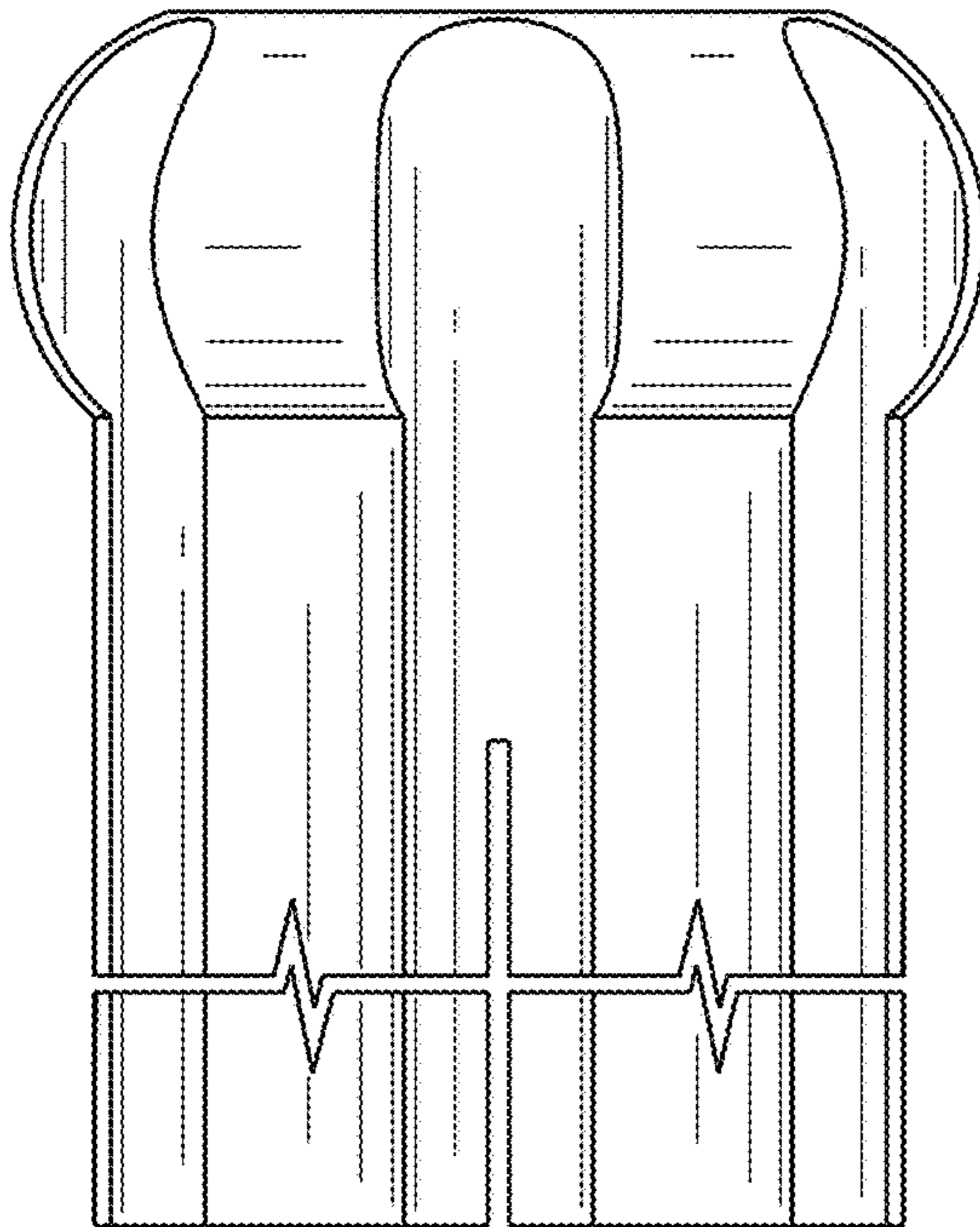
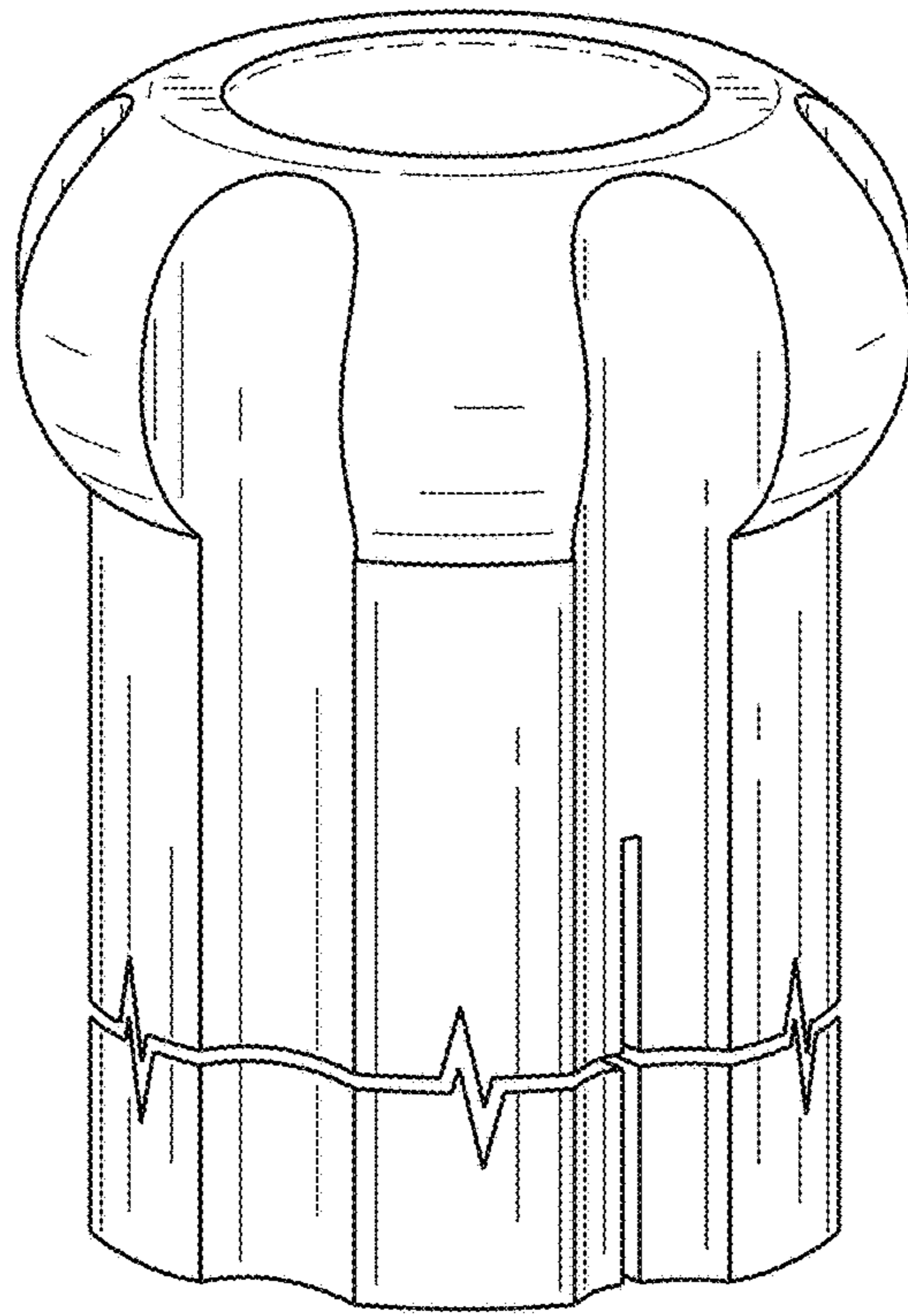


FIG. 2

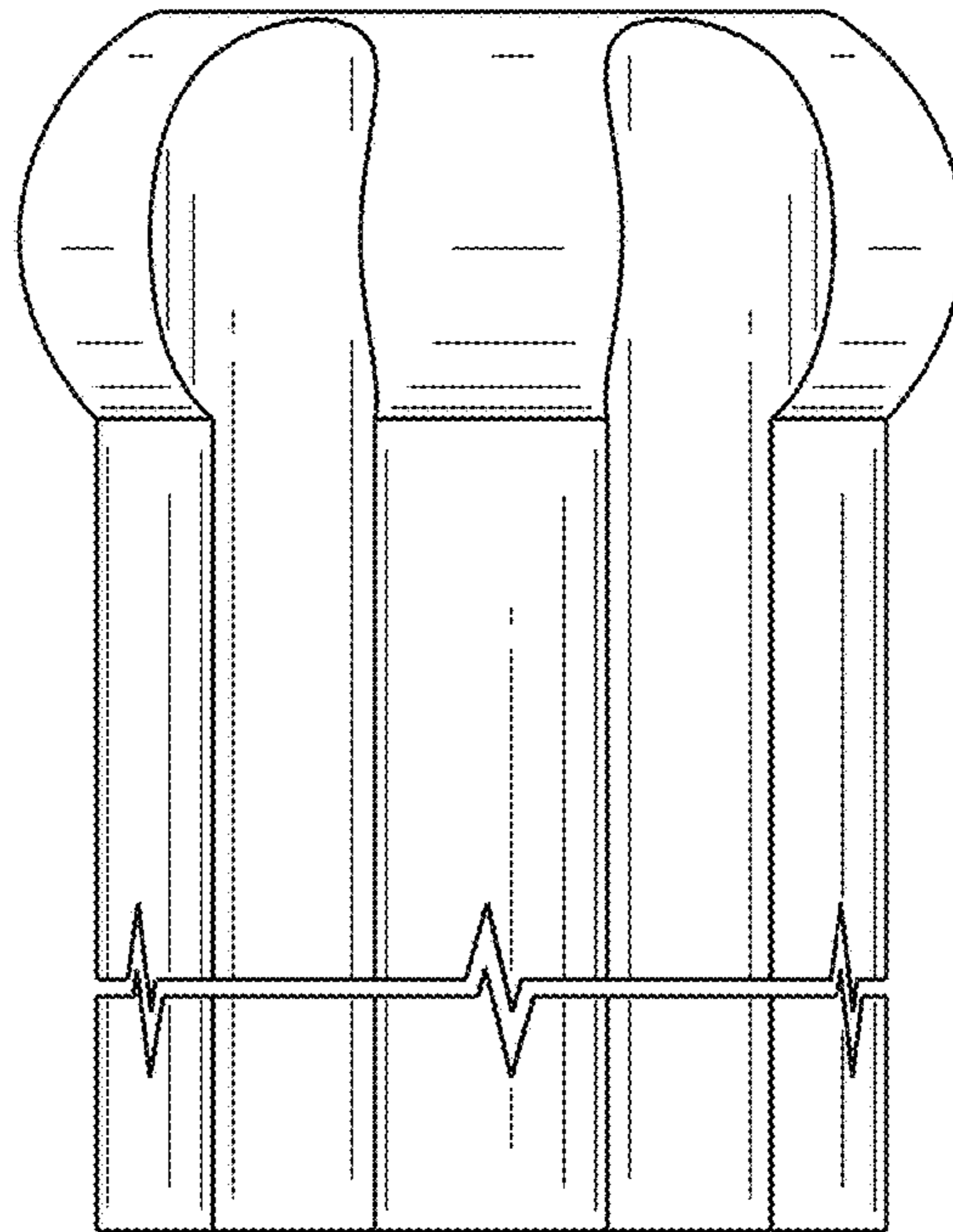


FIG. 3

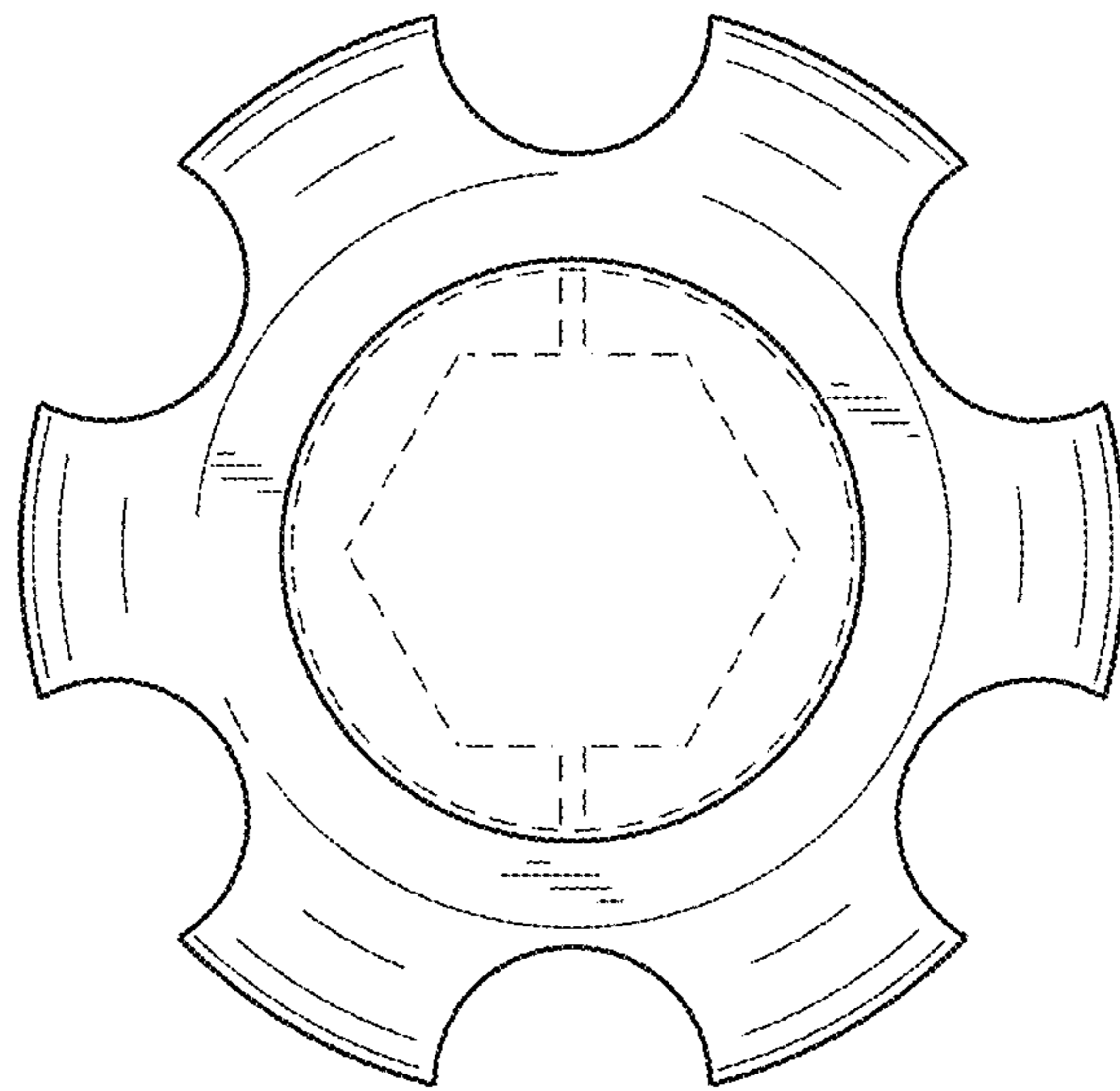


FIG. 4

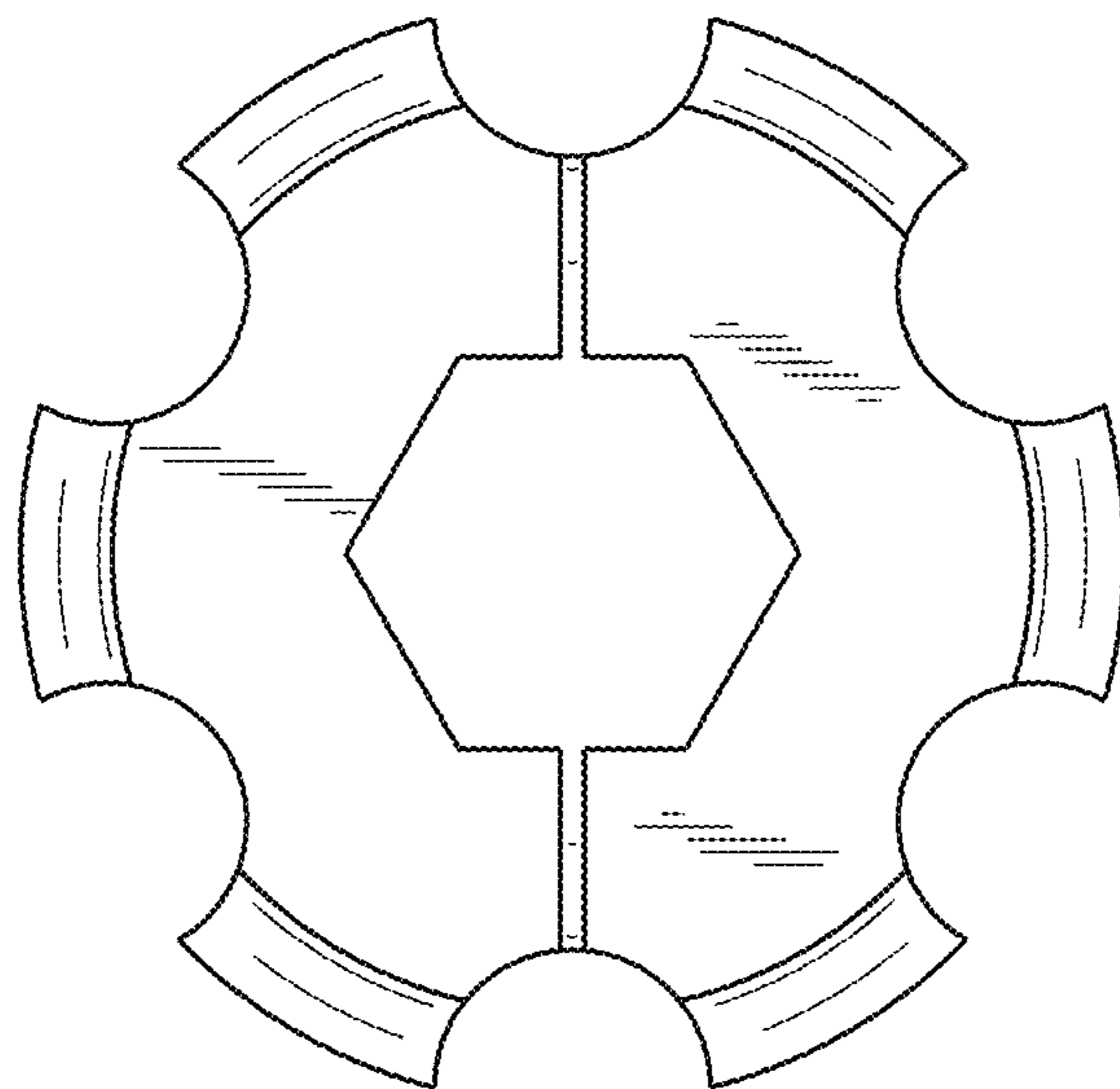


FIG. 5

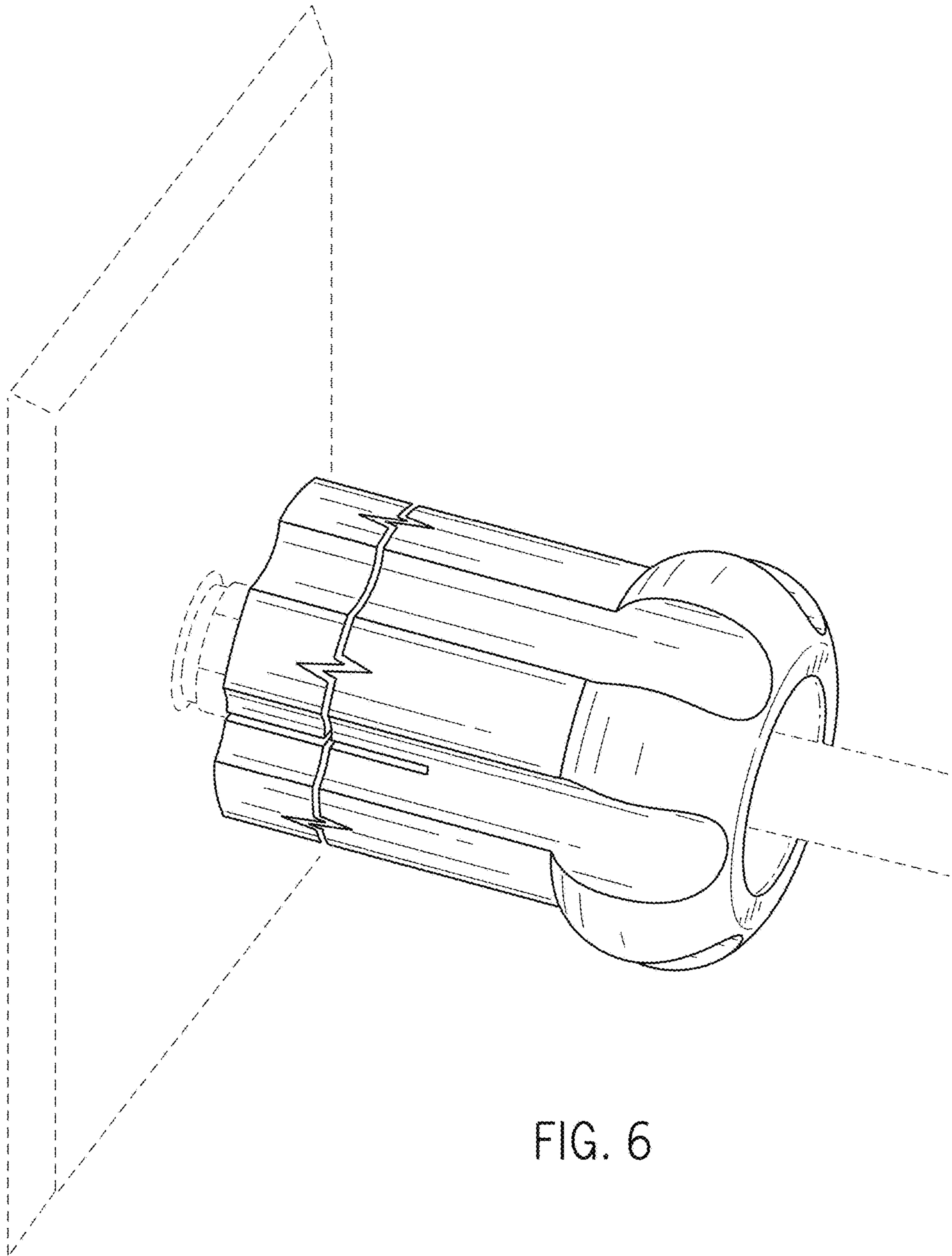


FIG. 6