



US00D786660S

(12) **United States Design Patent** (10) **Patent No.:** **US D786,660 S**
Cacciabeve (45) **Date of Patent:** **** May 16, 2017**

(54) **CLAMP WITH LIGHT** D732,217 S * 6/2015 Wiedenmann D26/60
D736,073 S * 8/2015 Eriksson D8/394
(71) Applicant: **Walter R. Tucker Enterprises, Ltd.,** D765,905 S * 9/2016 Oldani D26/113
Deposit, NY (US) D775,411 S * 12/2016 Lin D26/138
2003/0007355 A1* 1/2003 Leen F21L 14/02
362/287
(72) Inventor: **Robert Cacciabeve,** Boonton, NJ (US) 2006/0083010 A1* 4/2006 Ping F21S 9/02
362/396
(73) Assignee: **Walter R. Tucker Enterprises, Ltd.,** 2012/0033412 A1* 2/2012 Molina F21V 21/088
Deposit, NY (US) 362/119

(**) Term: **15 Years**

OTHER PUBLICATIONS

(21) Appl. No.: **29/562,752**

Ezred "Hood Hawk—Revolutionary Underhood Light", www.ezred.com. Oct. 6, 2016. shown in p. 1, Item # XLUHLS.*

(22) Filed: **Apr. 28, 2016**

* cited by examiner

(51) **LOC (10) Cl.** **08-08**

(52) **U.S. Cl.**
USPC **D8/394; D26/60**

(58) **Field of Classification Search**
USPC D8/394, 105, 106, 71-73; D26/138, 140,
D26/60-66, 128, 26, 29, 34, 37, 38, 39,
D26/41, 43, 50, 51; 362/396, 190, 191,
362/389, 399, 269, 274, 275, 285, 418,
362/419, 427, 376, 287, 157; D16/136,
D16/208, 330

Primary Examiner — Cynthia Ramirez
Assistant Examiner — Michael Maharajh
(74) *Attorney, Agent, or Firm* — Breiner & Breiner,
L.L.C.

CPC .. F21V 21/0885; F21V 21/042; F21V 21/116;
F21L 4/00

(57) **CLAIM**

The ornamental design for a clamp with light, as shown and described.

See application file for complete search history.

DESCRIPTION

(56) **References Cited**

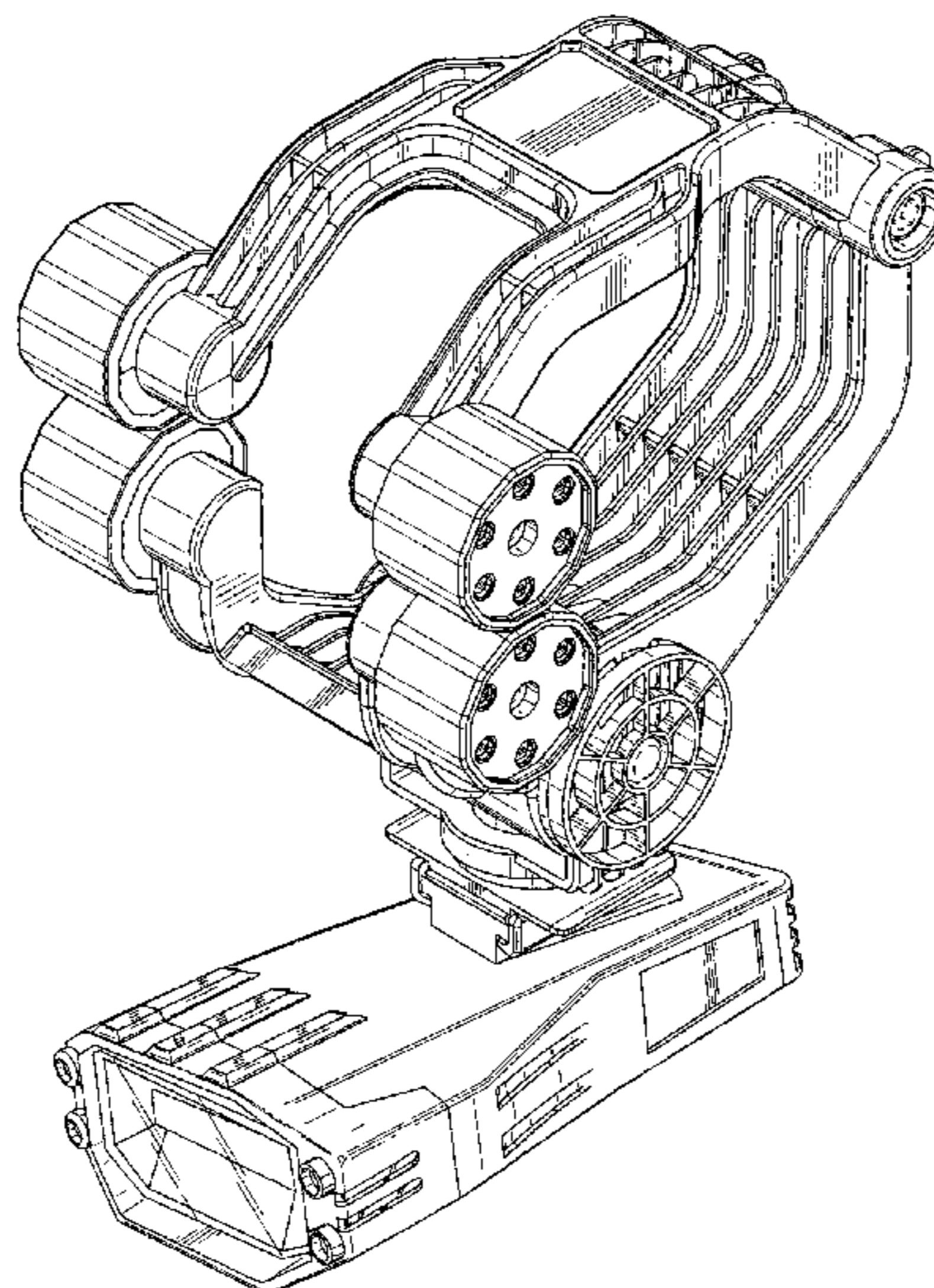
FIG. 1 is a front perspective view of the clamp with light, showing my new design;
FIG. 2 is a right side elevational thereof;
FIG. 3 is a left side elevational view thereof;
FIG. 4 is a rear elevational view thereof;
FIG. 5 is a front elevational view thereof;
FIG. 6 is a bottom plan view thereof; and,
FIG. 7 is a top plan view thereof.

U.S. PATENT DOCUMENTS

The broken lines shown in the figures are for the purpose of illustrating portions of the clamp with light and form no part of the claimed design.

D279,612 S * 7/1985 Bacevius D26/138
D367,540 S * 2/1996 Lee D26/63
D403,455 S * 12/1998 Duennes D26/119
D415,410 S * 10/1999 An D8/394
D514,726 S * 2/2006 Ping D26/60
7,699,492 B2 * 4/2010 Levine F21V 21/0885
362/157
D670,023 S * 10/2012 Green D26/128
D670,845 S * 11/2012 Hsu D26/60

1 Claim, 7 Drawing Sheets



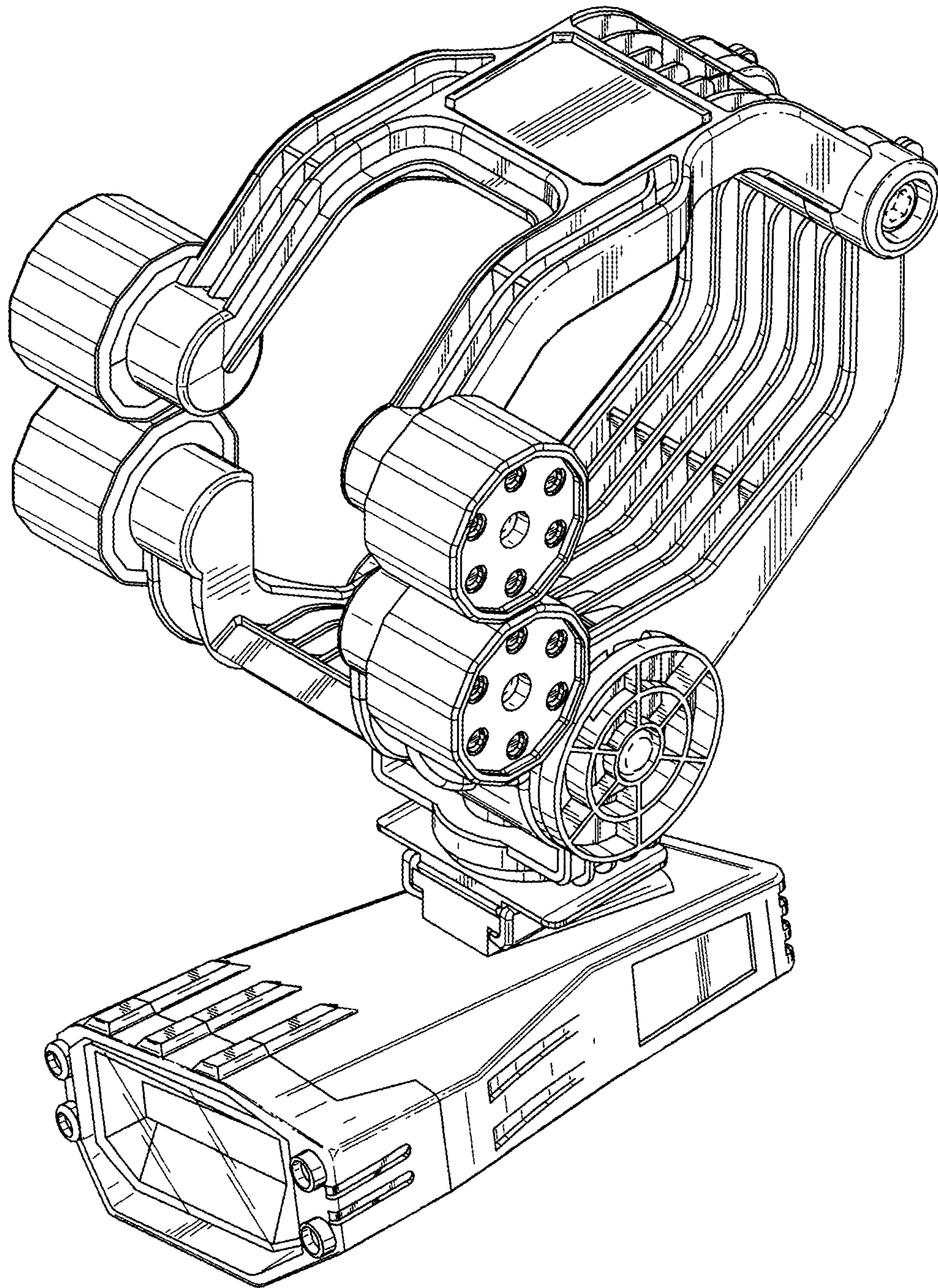


FIG. 1

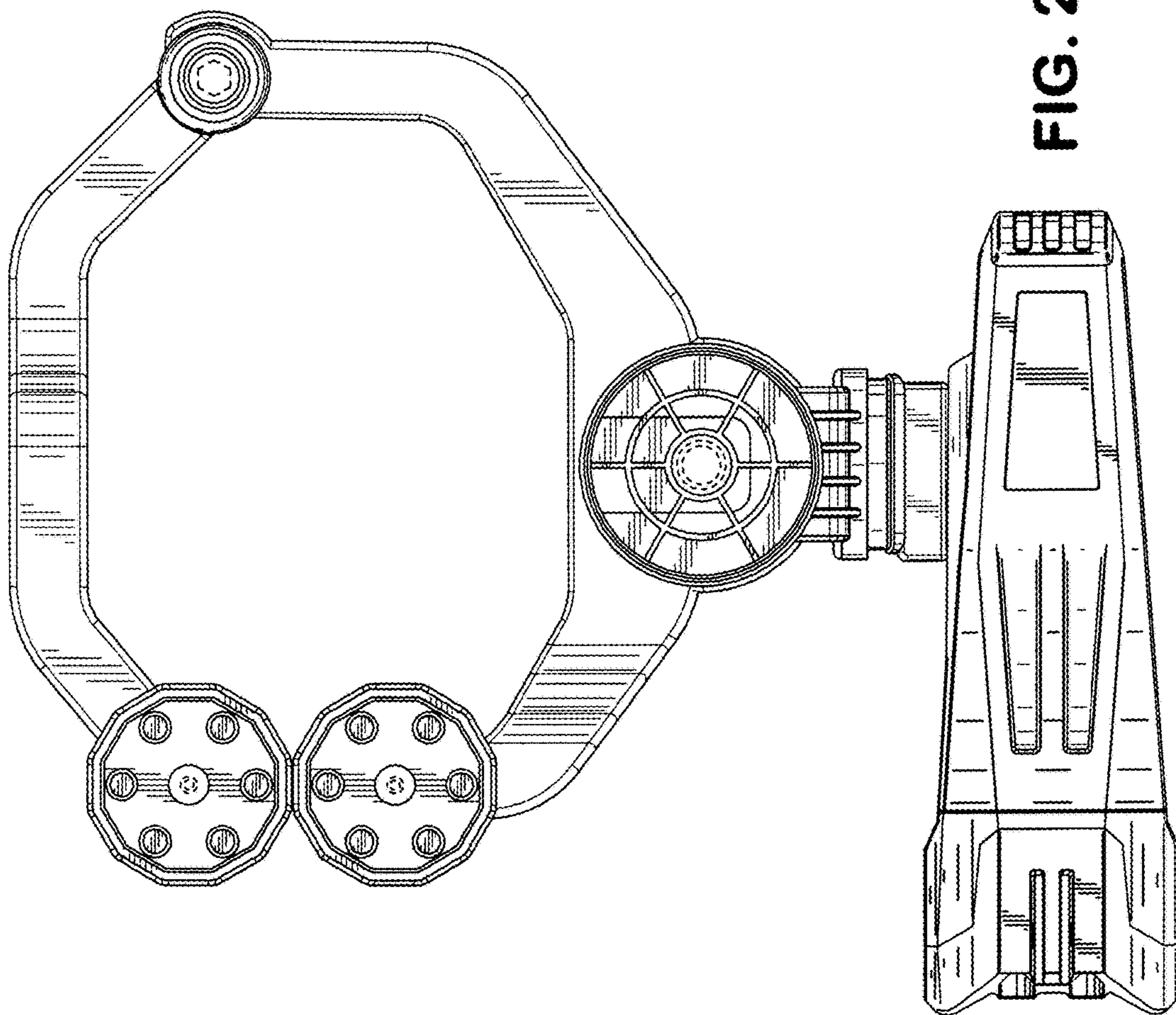


FIG. 2

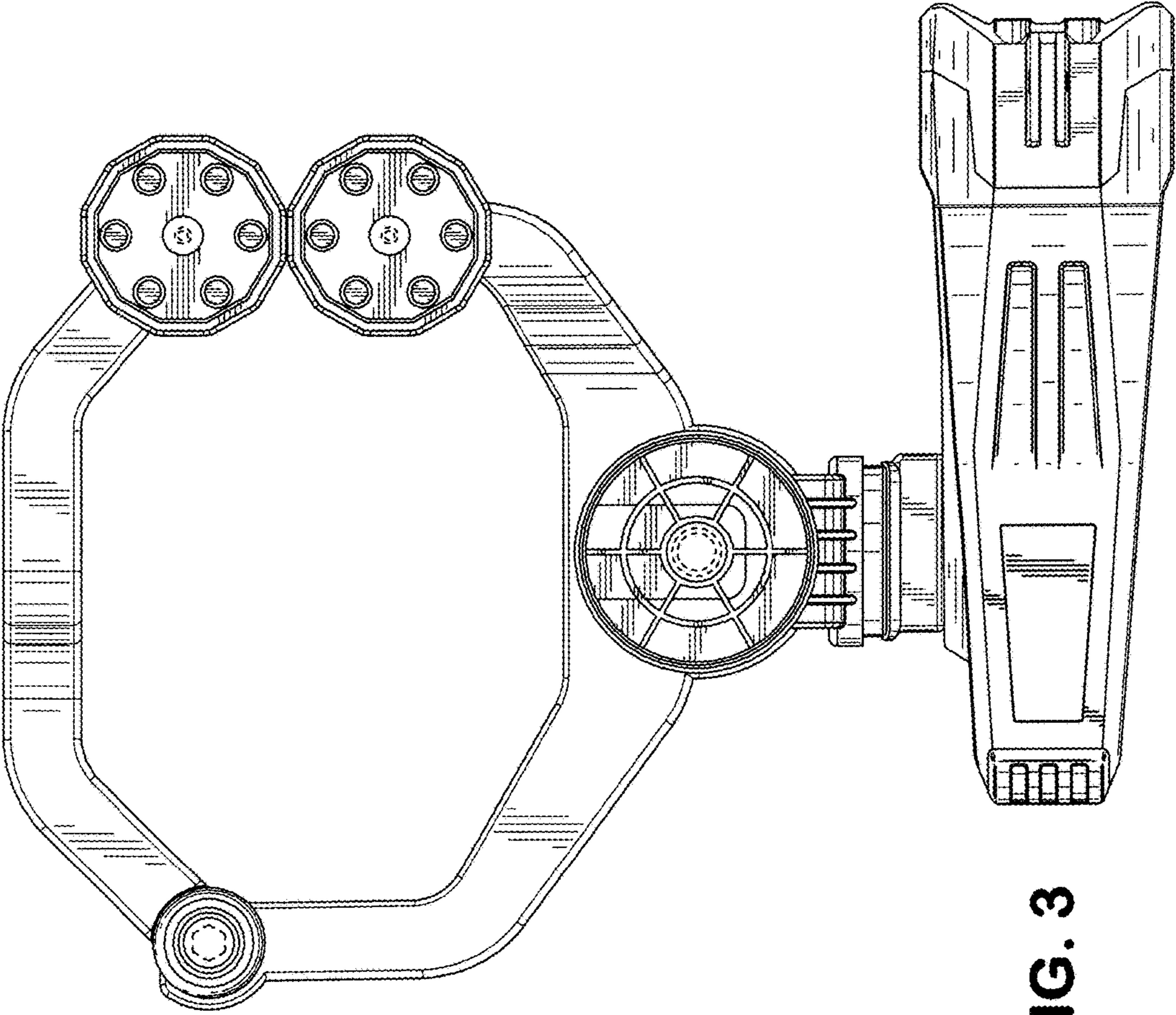


FIG. 3

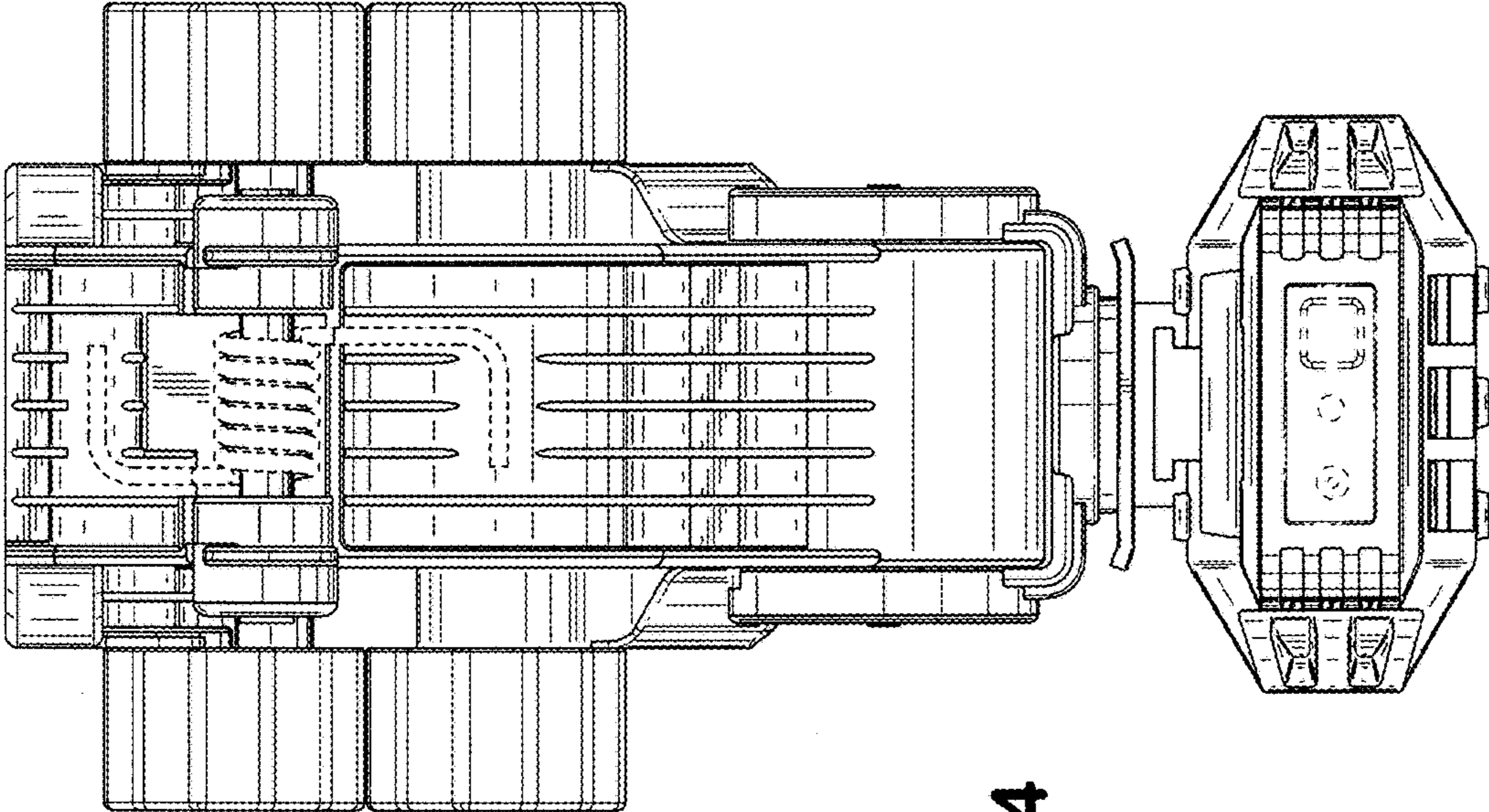


FIG. 4

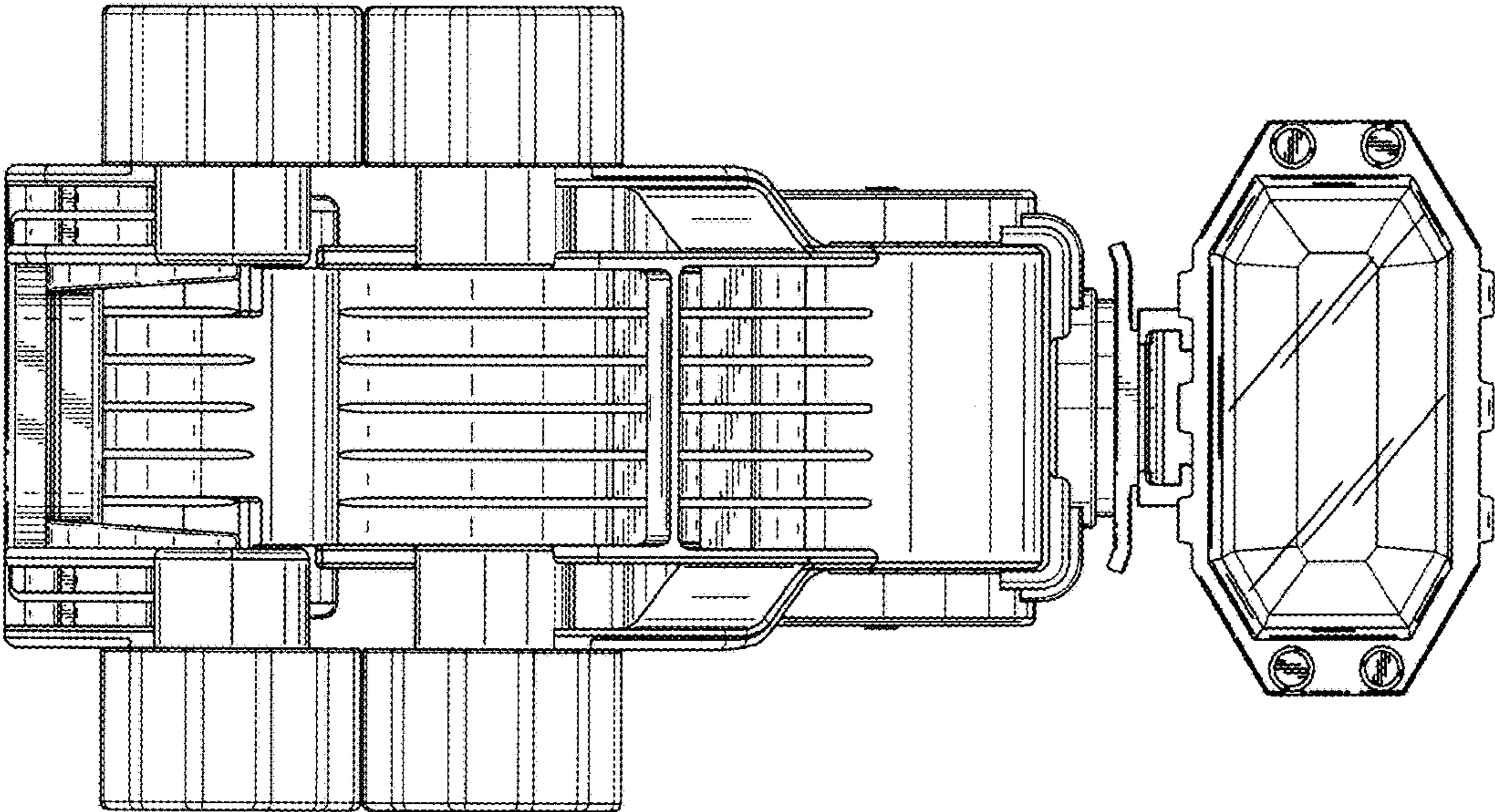


FIG. 5

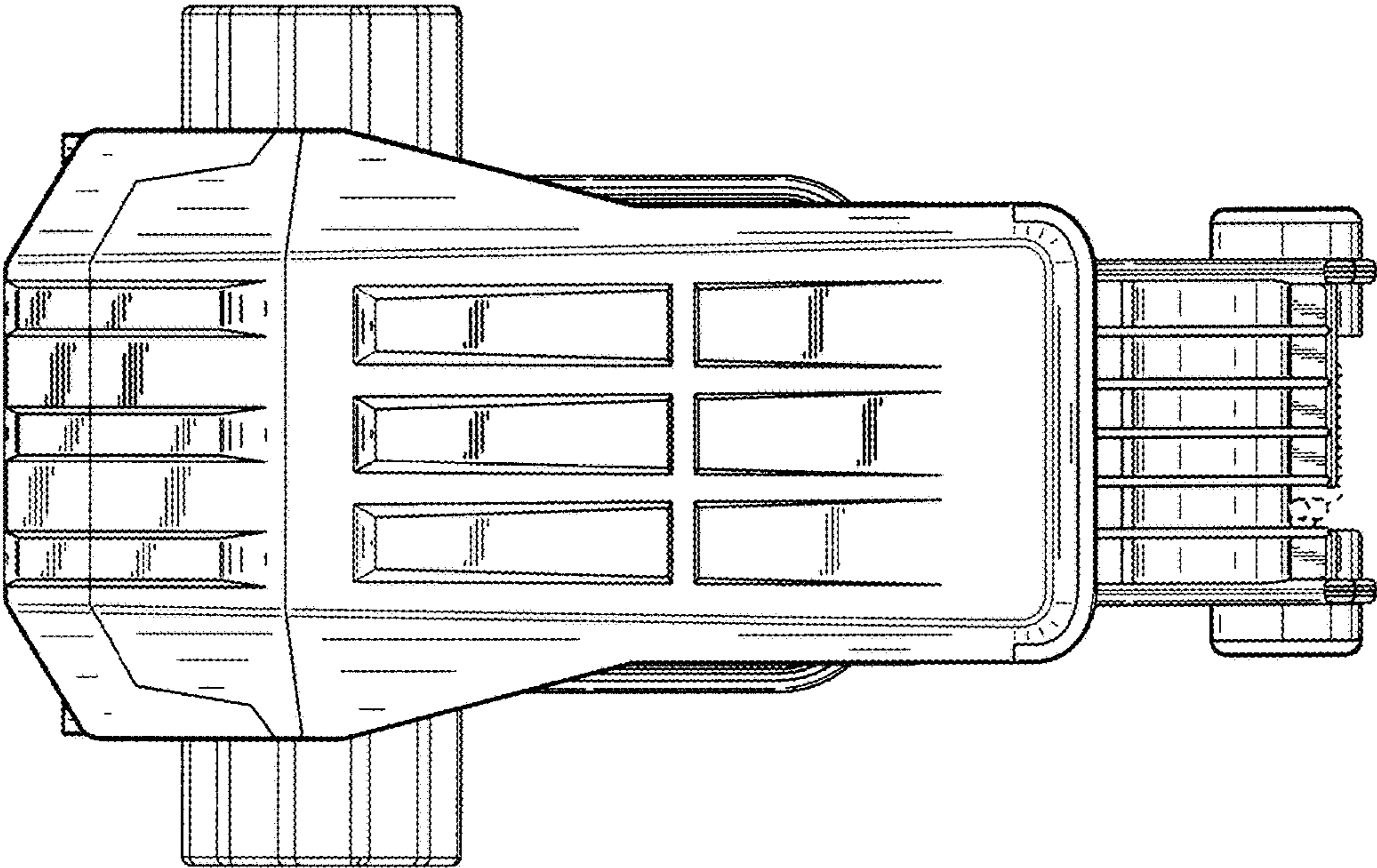


FIG. 6

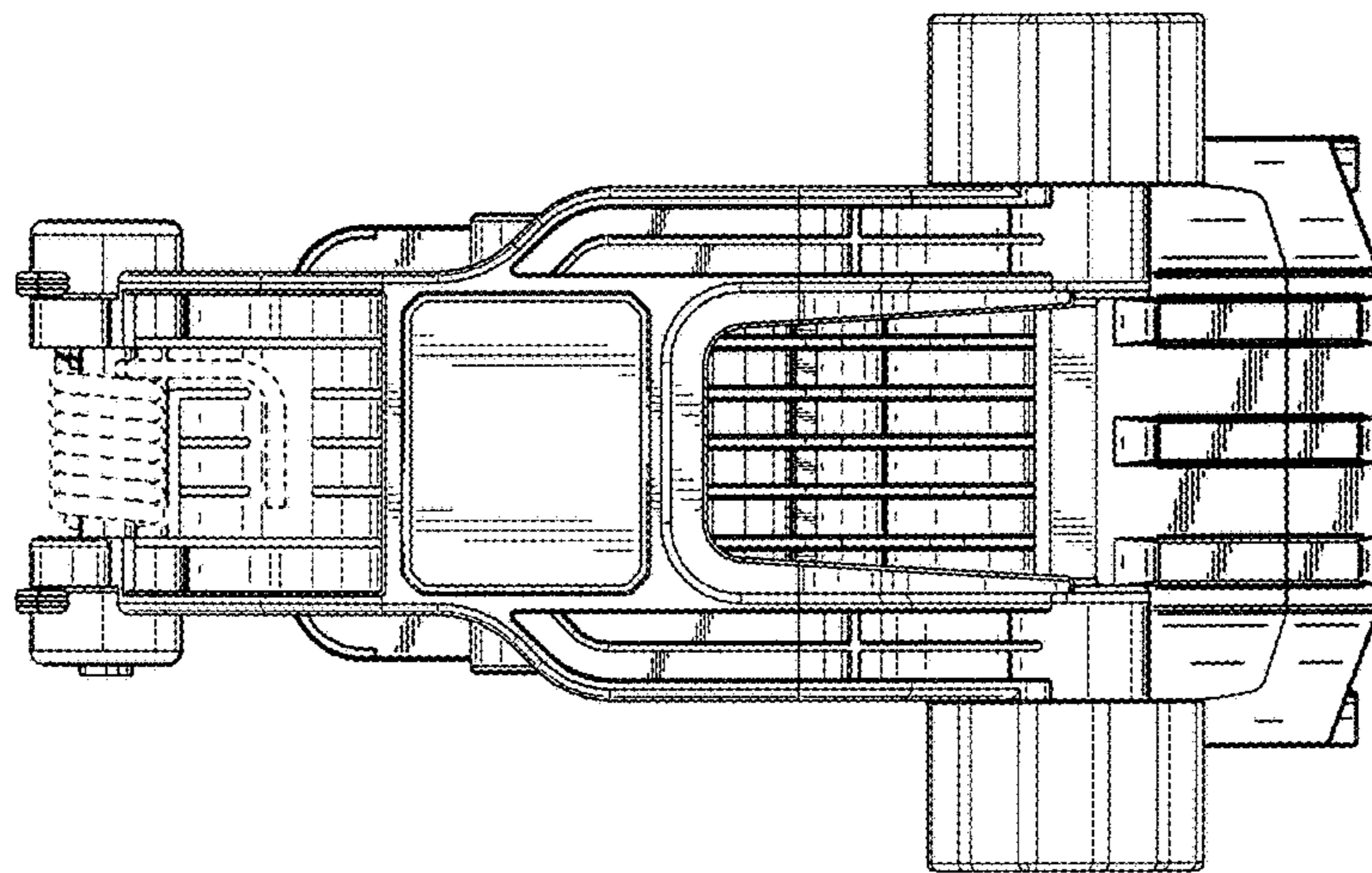


FIG. 7