



US00D786658S

(12) **United States Design Patent**
Garcia

(10) **Patent No.:** **US D786,658 S**

(45) **Date of Patent:** **** May 16, 2017**

(54) **WIRE CADDY**

(71) Applicant: **Joaquin Alejandro Garcia**, Bonita, CA
(US)

(72) Inventor: **Joaquin Alejandro Garcia**, Bonita, CA
(US)

(**) Term: **15 Years**

(21) Appl. No.: **29/551,747**

(22) Filed: **Jan. 15, 2016**

(51) **LOC (10) Cl.** **08-05**

(52) **U.S. Cl.**
USPC **D8/358**

(58) **Field of Classification Search**
USPC D8/74, 347, 373, 375, 380, 381, 396,
D8/356, 359, 358, 360.1
CPC ... B65H 75/4442; H02G 11/02; H02G 11/003
See application file for complete search history.

(56) **References Cited**

U.S. PATENT DOCUMENTS

D35,208 S * 10/1901 Bixler D15/143
D334,882 S * 4/1993 Bunch D8/358
D365,012 S * 12/1995 Sather D8/359

D375,251 S * 11/1996 Stevens D8/359
D387,972 S * 12/1997 Hernandez D6/580
D390,095 S * 2/1998 Spear D8/359
D400,083 S * 10/1998 Bodine D8/359
D436,521 S * 1/2001 Stump D8/359
D452,953 S * 1/2002 Okkema B60P 7/0846
D8/359
D591,141 S * 4/2009 Miller D8/336
D741,154 S * 10/2015 Brown D8/358

* cited by examiner

Primary Examiner — Robert M Spear

Assistant Examiner — Eliza Bennett-Hattan

(74) *Attorney, Agent, or Firm* — Gary L. Eastman, Esq.;
Eastman & McCartney LLP

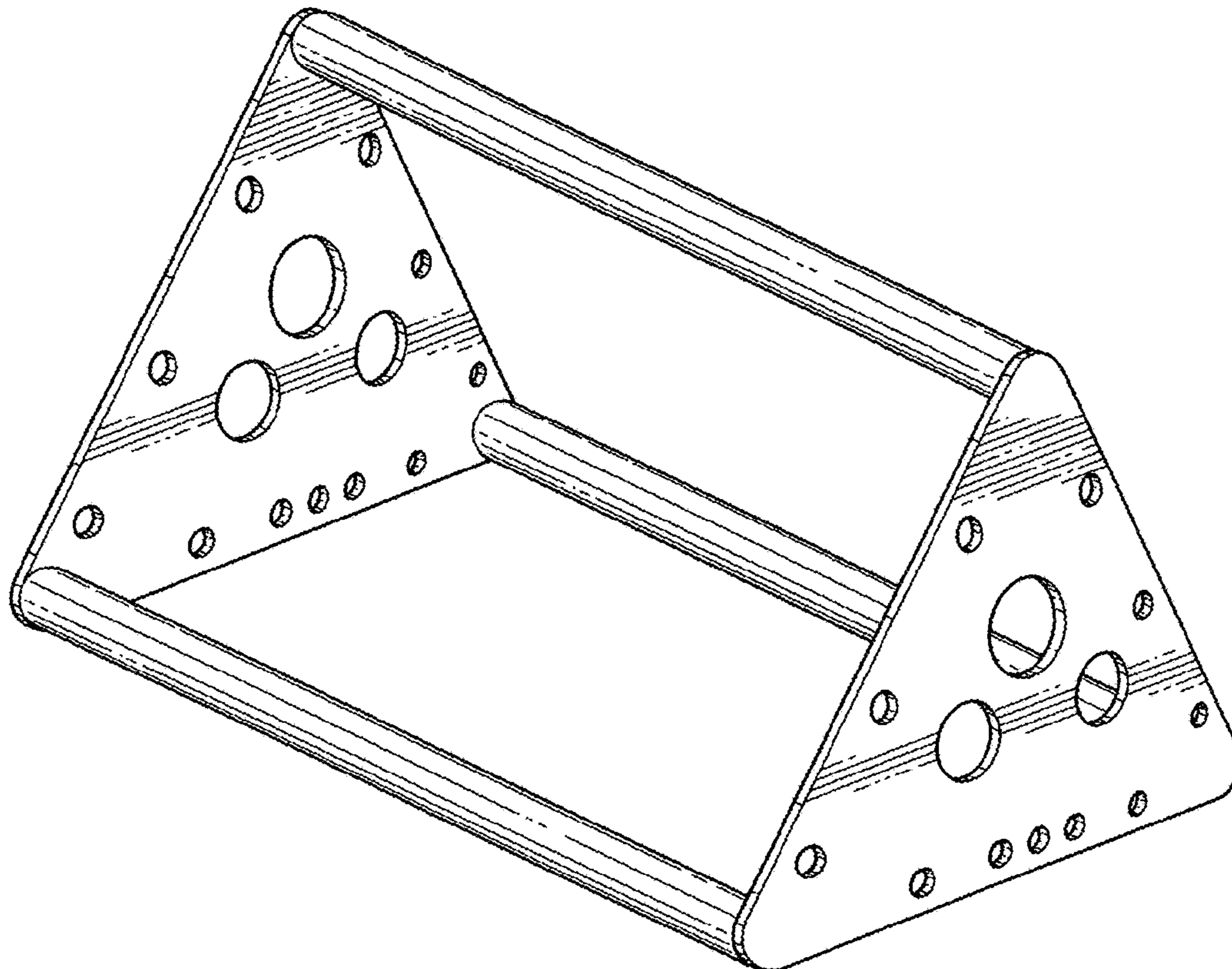
(57) **CLAIM**

The ornamental design for a wire caddy, as shown and described.

DESCRIPTION

FIG. 1 is a front upper perspective view of the wire caddy; FIG. 2 is a back lower perspective view of the wire caddy; FIG. 3 is a left side view of the wire caddy; FIG. 4 is a right side view of the wire caddy; FIG. 5 is a front view of the wire caddy; FIG. 6 is a back view of the wire caddy; FIG. 7 is a top view of the wire caddy; and, FIG. 8 is a bottom view of the wire caddy.

1 Claim, 5 Drawing Sheets



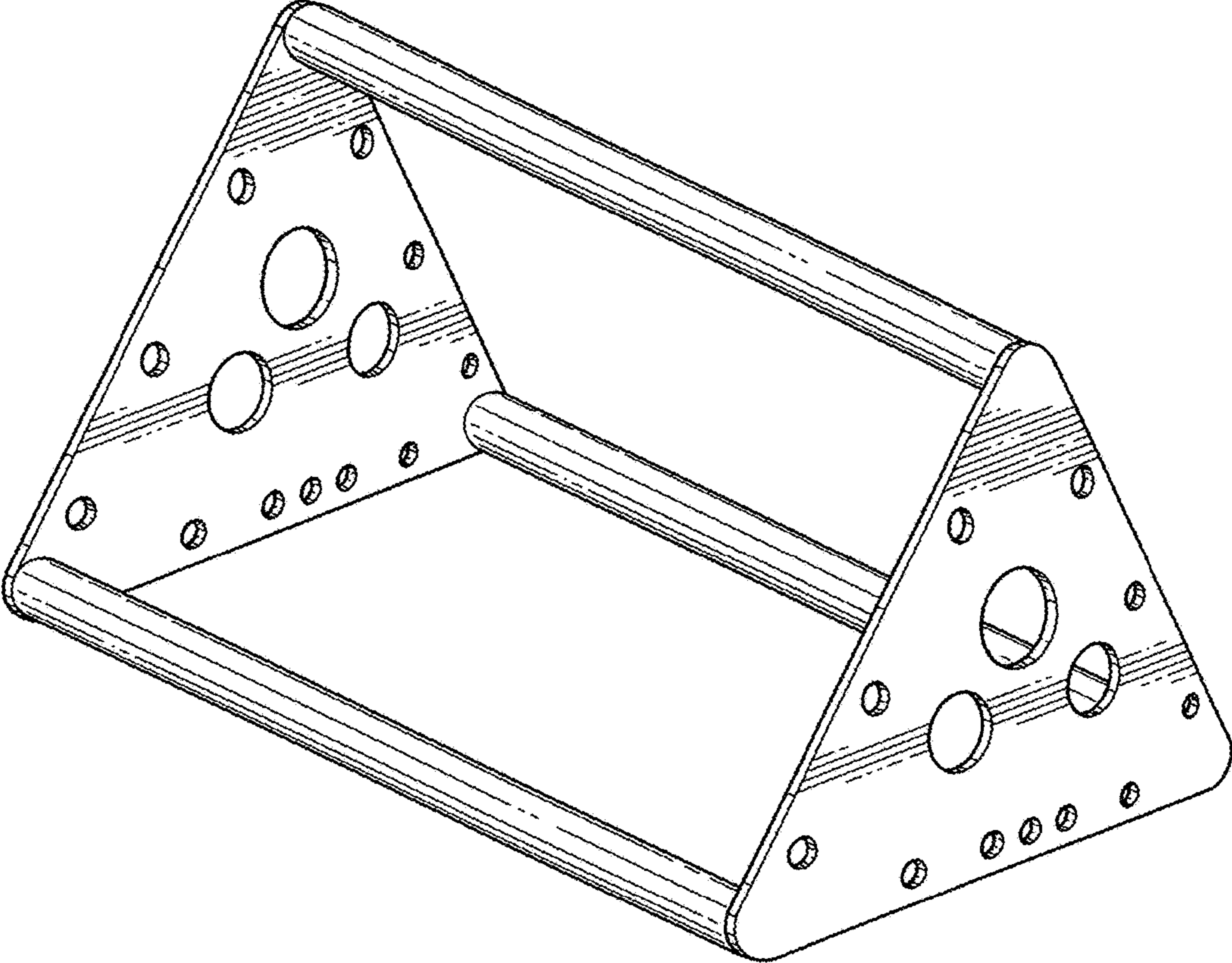


FIG. 1

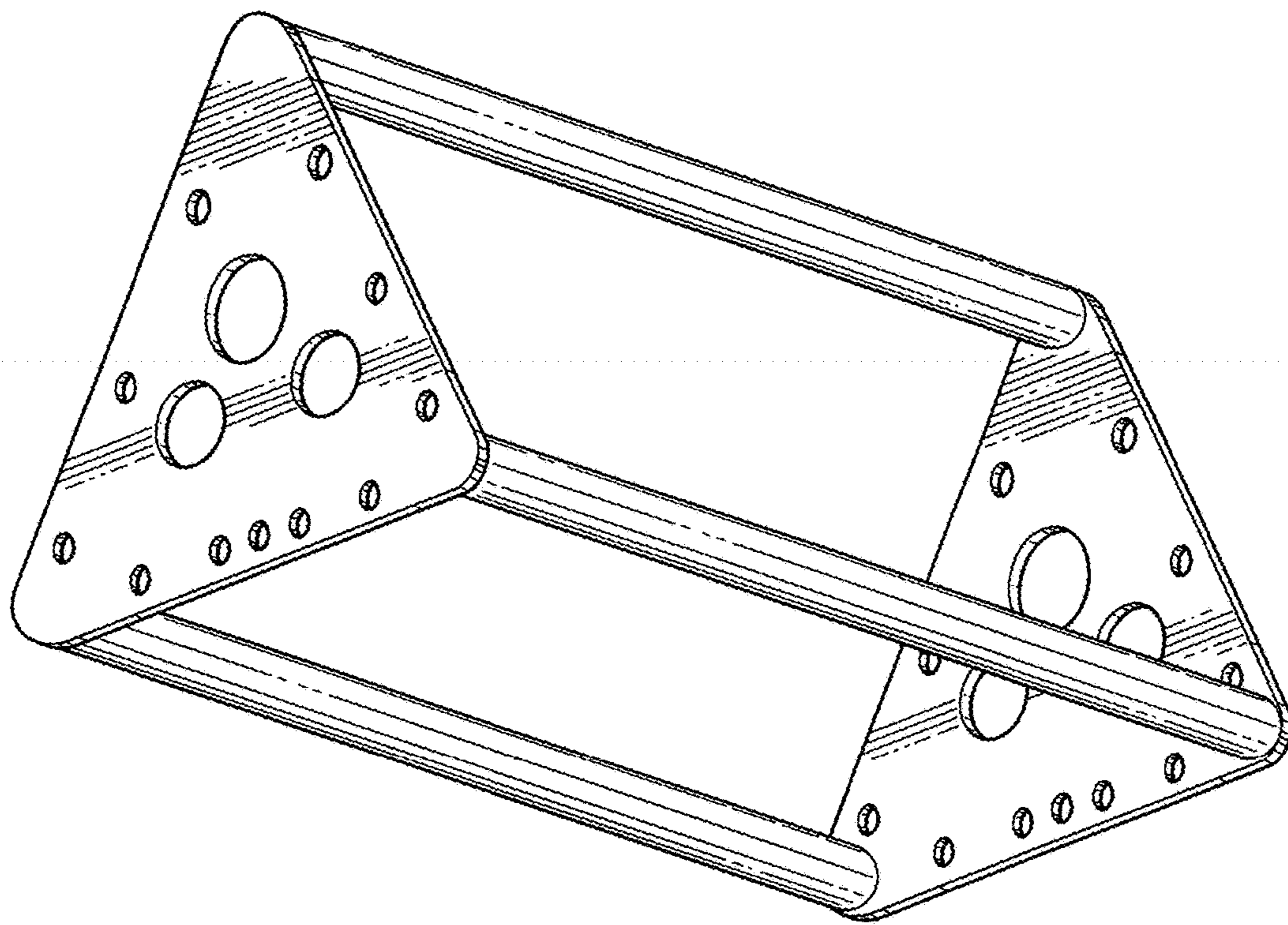


FIG. 2

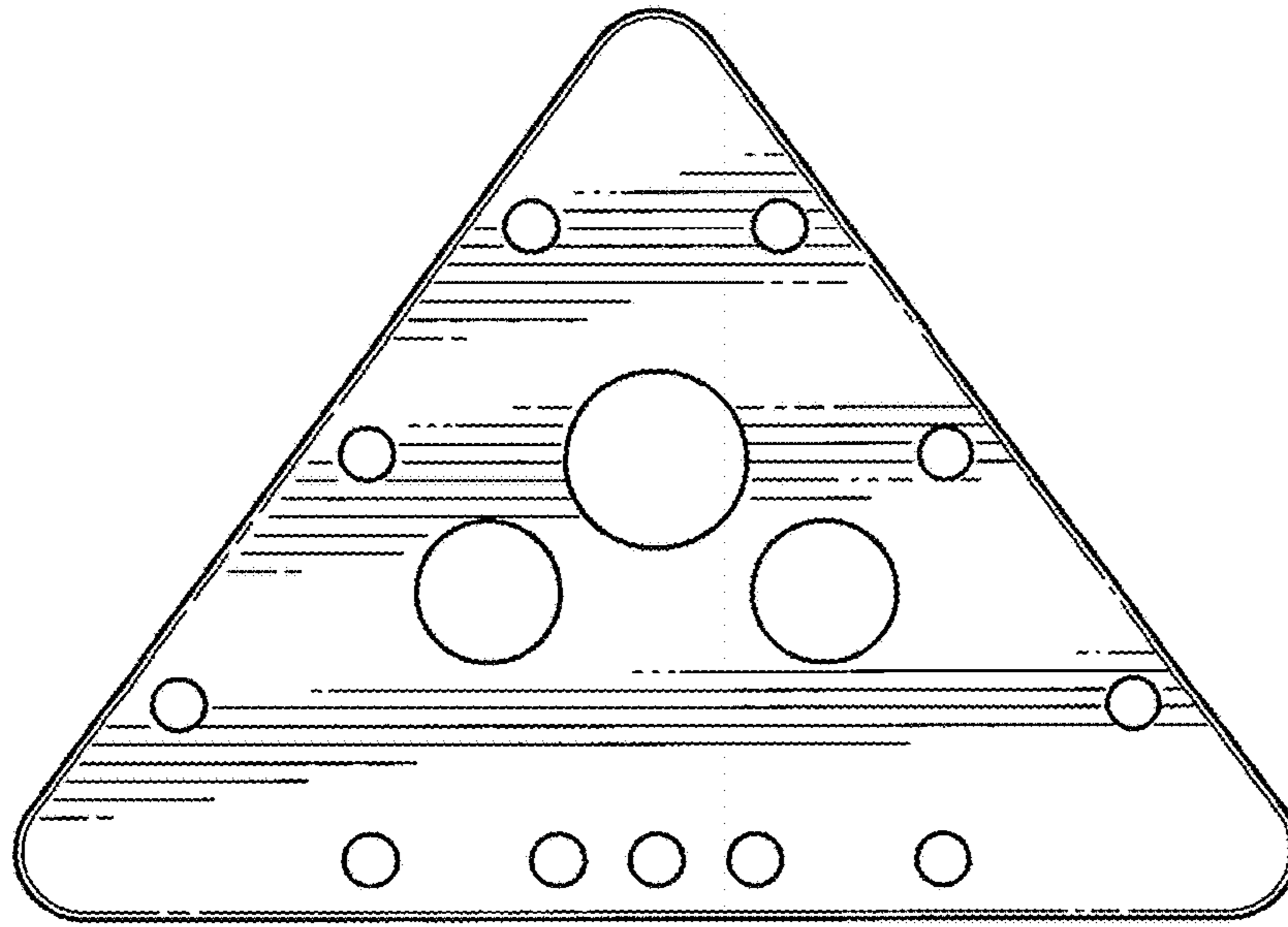


FIG. 3

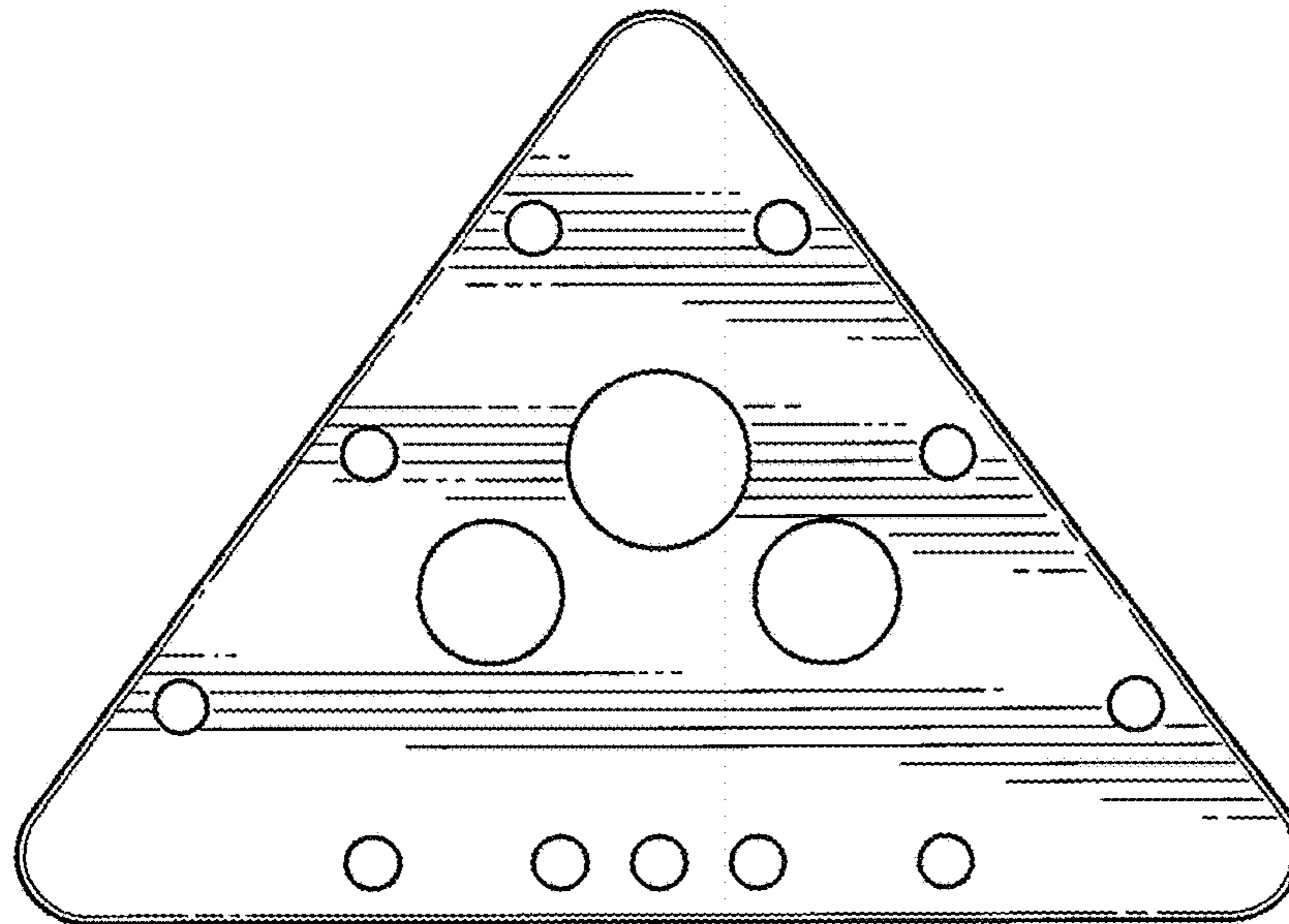


FIG. 4

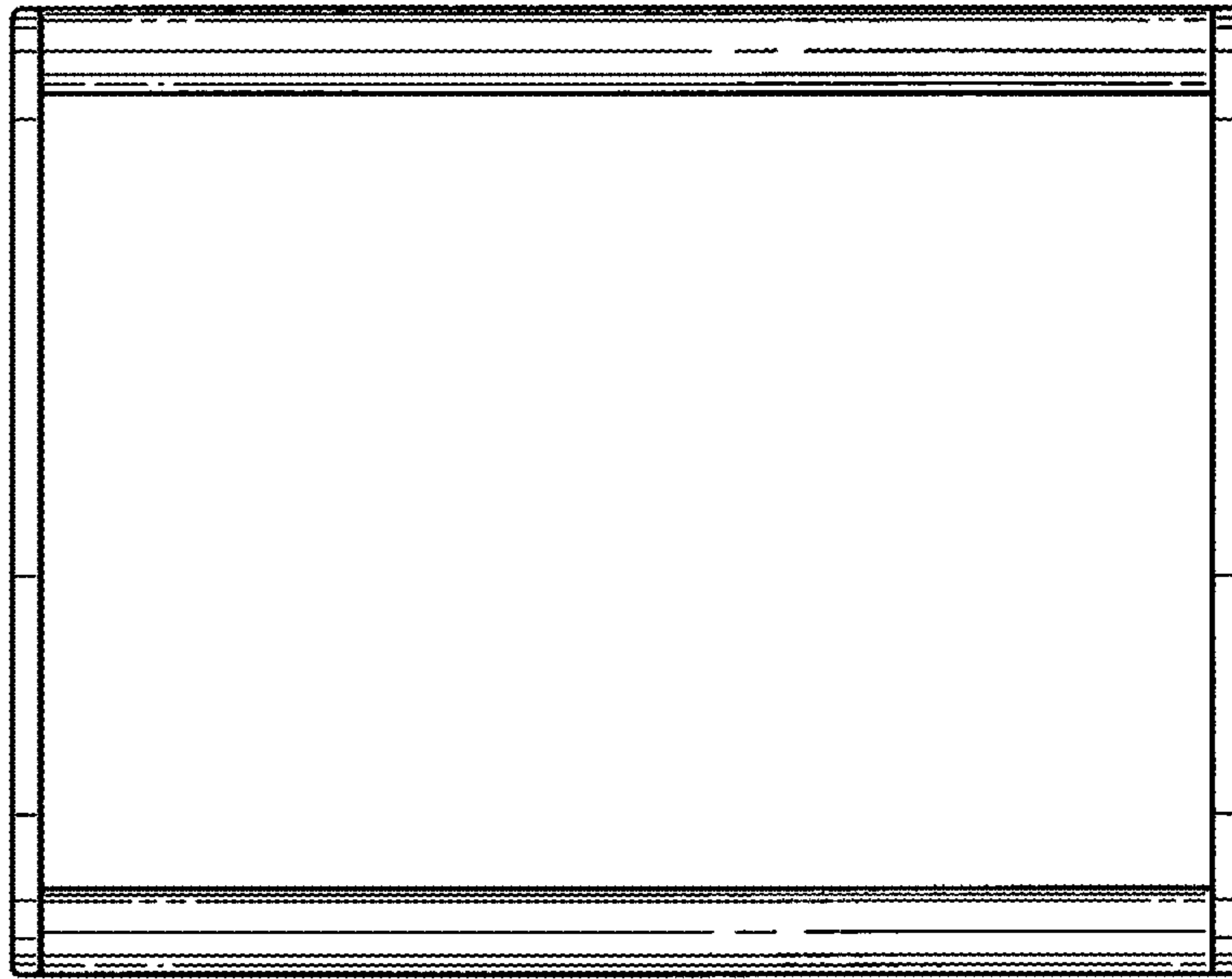


FIG. 5



FIG. 6

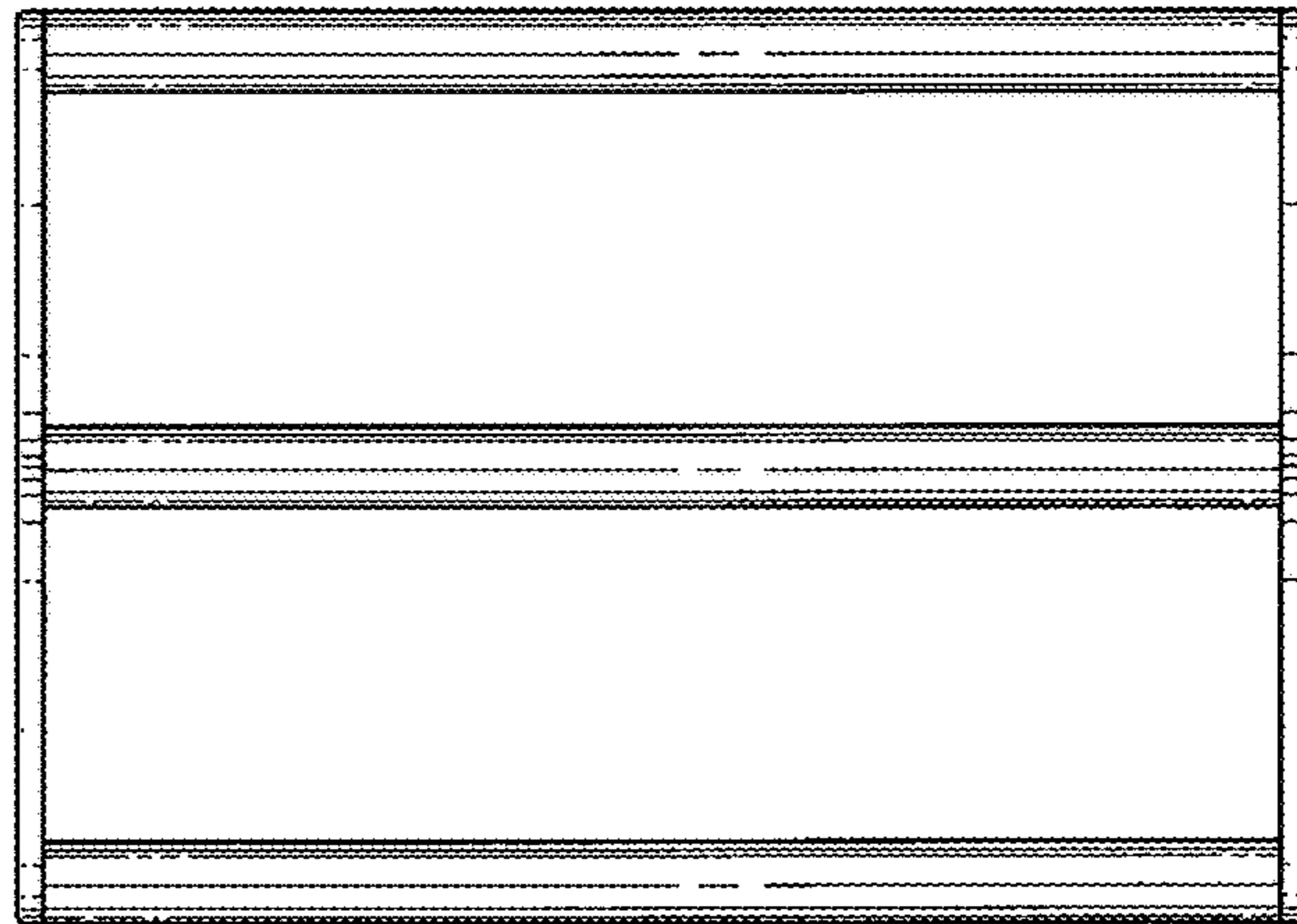


FIG. 7

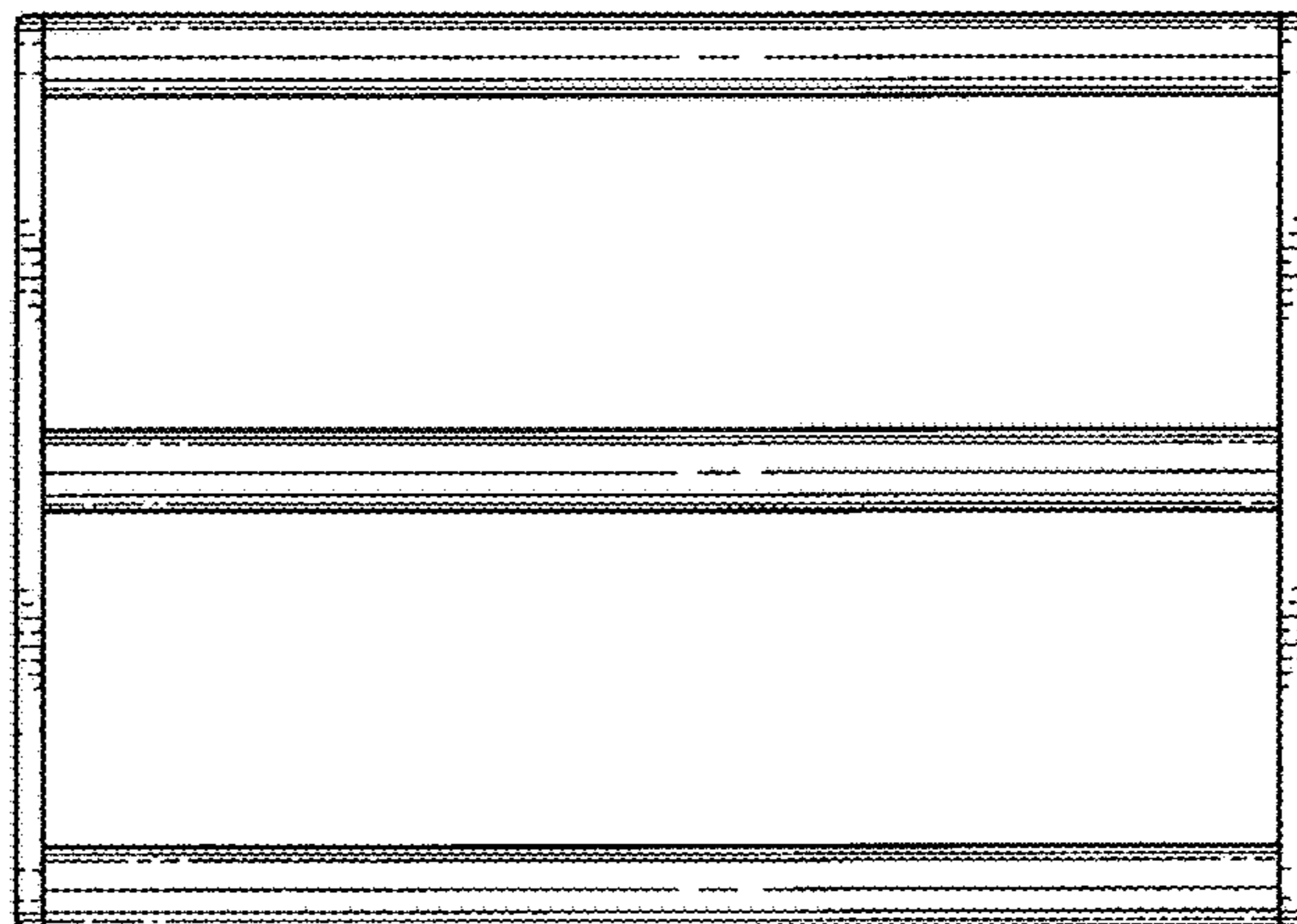


FIG. 8