



US00D786657S

(12) **United States Design Patent**  
**Woodrow**

(10) **Patent No.:** **US D786,657 S**

(45) **Date of Patent:** **\*\* May 16, 2017**

(54) **STRAP WINDER**

(71) Applicant: **Rodney Hans Woodrow**, Wandoan (AU)

(72) Inventor: **Rodney Hans Woodrow**, Wandoan (AU)

(\*\*) Term: **15 Years**

(21) Appl. No.: **29/567,933**

(22) Filed: **Jun. 14, 2016**

(30) **Foreign Application Priority Data**

Jan. 19, 2016 (AU) ..... 201610251

(51) **LOC (10) Cl.** ..... **11-05**

(52) **U.S. Cl.**

USPC ..... **D8/356**

(58) **Field of Classification Search**

USPC .... D6/323; D8/67, 330, 349, 354, 355, 356, D8/363, 364, 367, 371, 373, 383, 397; D15/5, 146, 147, 148; D34/32, 33, 35

CPC ..... B66D 3/00; B66D 2700/00

See application file for complete search history.

(56) **References Cited**

**U.S. PATENT DOCUMENTS**

4,155,537 A \* 5/1979 Bronson ..... F16G 11/12  
24/909

D577,175 S \* 9/2008 Walstrom ..... D34/31

D595,923 S \* 7/2009 Walstrom ..... D34/35

2006/0022104 A1 \* 2/2006 Treat ..... B60P 7/0846  
248/300

2009/0206307 A1 \* 8/2009 Westberg ..... B60P 7/0853  
254/243

2011/0079967 A1 \* 4/2011 Presley ..... B25F 3/00  
279/145

2013/0270498 A1 \* 10/2013 Burneister ..... B66D 1/28  
254/266

2014/0339276 A1 \* 11/2014 Tyetyerin ..... A45F 3/14  
224/257

2015/0107066 A1 \* 4/2015 Lu ..... B60P 7/0846  
24/69 ST

2015/0117975 A1 \* 4/2015 Wright ..... B60P 3/079  
410/103

2016/0046228 A1 \* 2/2016 Williams ..... B60P 7/0853  
410/98

\* cited by examiner

*Primary Examiner* — John Windmuller

*Assistant Examiner* — Benjamin Weeks

(74) *Attorney, Agent, or Firm* — Tucker Ellis LLP; Carlos Garritano

(57) **CLAIM**

The ornamental design for a strap winder, as shown and described.

**DESCRIPTION**

FIG. 1 is a top front perspective view of a strap winder showing our new design;

FIG. 2 is an exploded view of the strap winder illustrated in FIG. 1;

FIG. 3 is bottom front perspective view of the strap winder illustrated in FIG. 1;

FIG. 4 is a top view of the strap winder illustrated in FIG. 1;

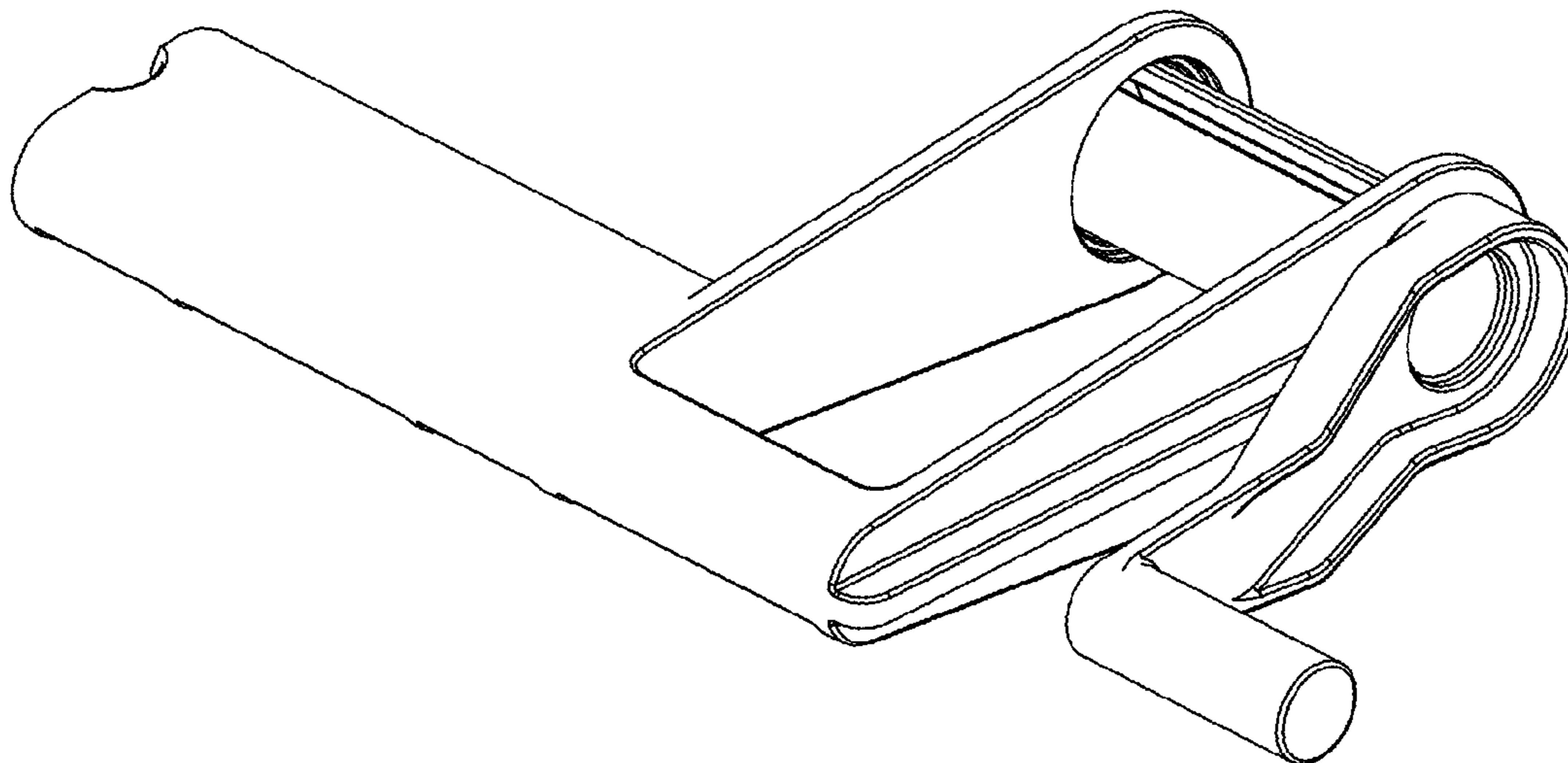
FIG. 5 is a front view of the strap winder illustrated in FIG. 1;

FIG. 6 is a bottom view of the strap winder illustrated in FIG. 1; and,

FIG. 7 is an in use view of the strap winder illustrated in FIG. 1.

The broken lines shown in FIG. 7 are for illustrative purposes only and form no part of the claimed designed.

**1 Claim, 5 Drawing Sheets**



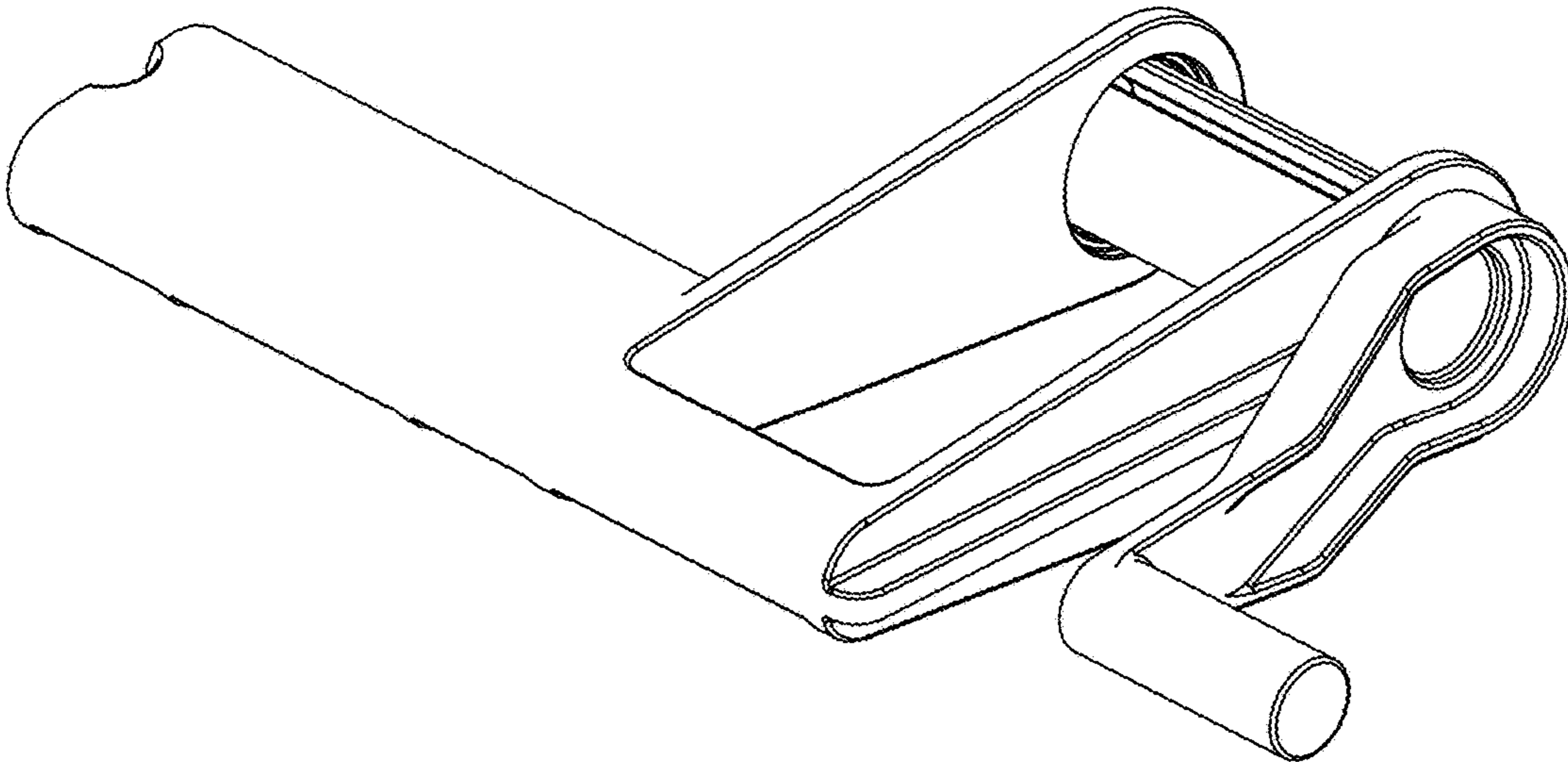


FIG. 1

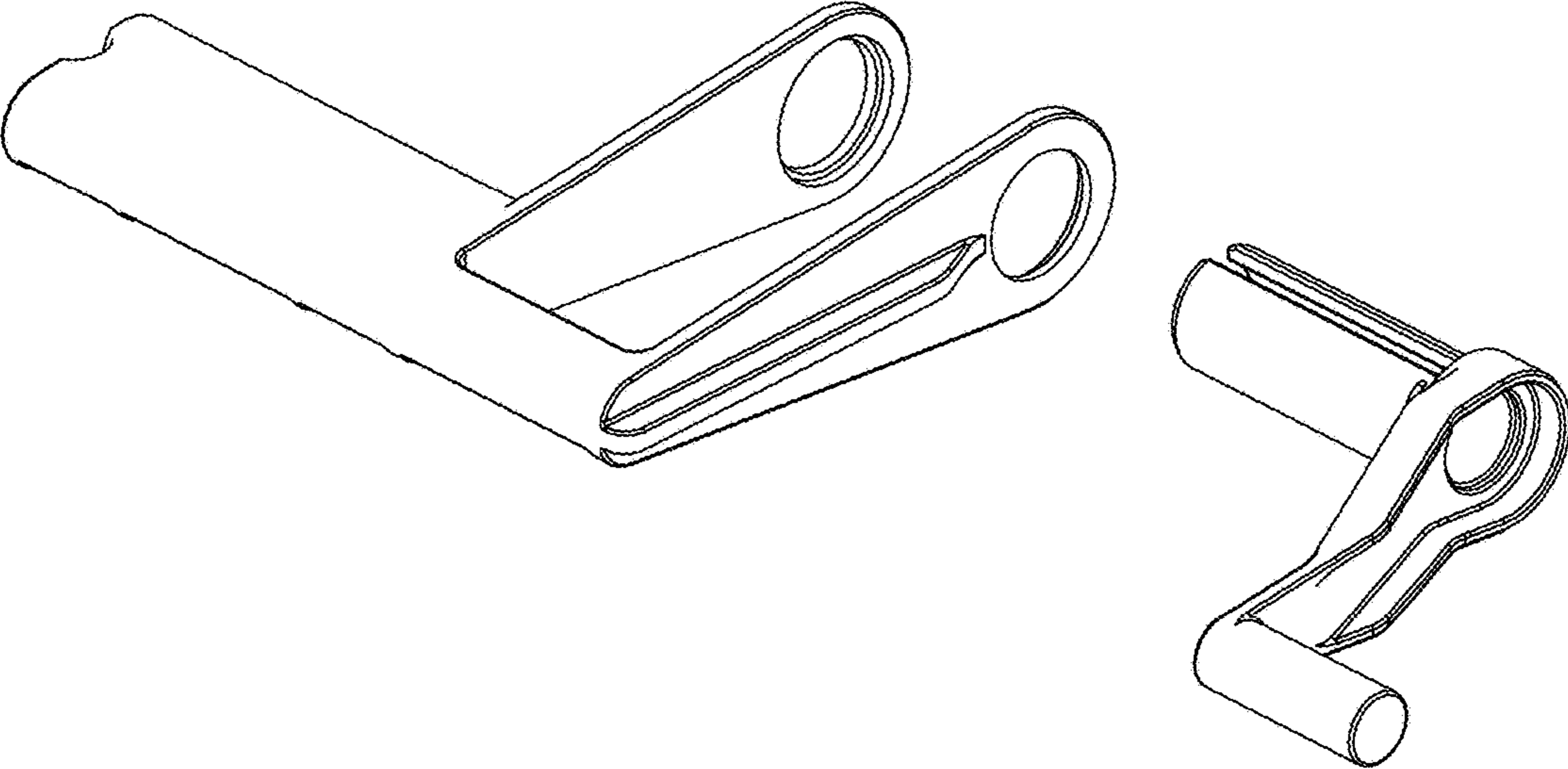


FIG. 2

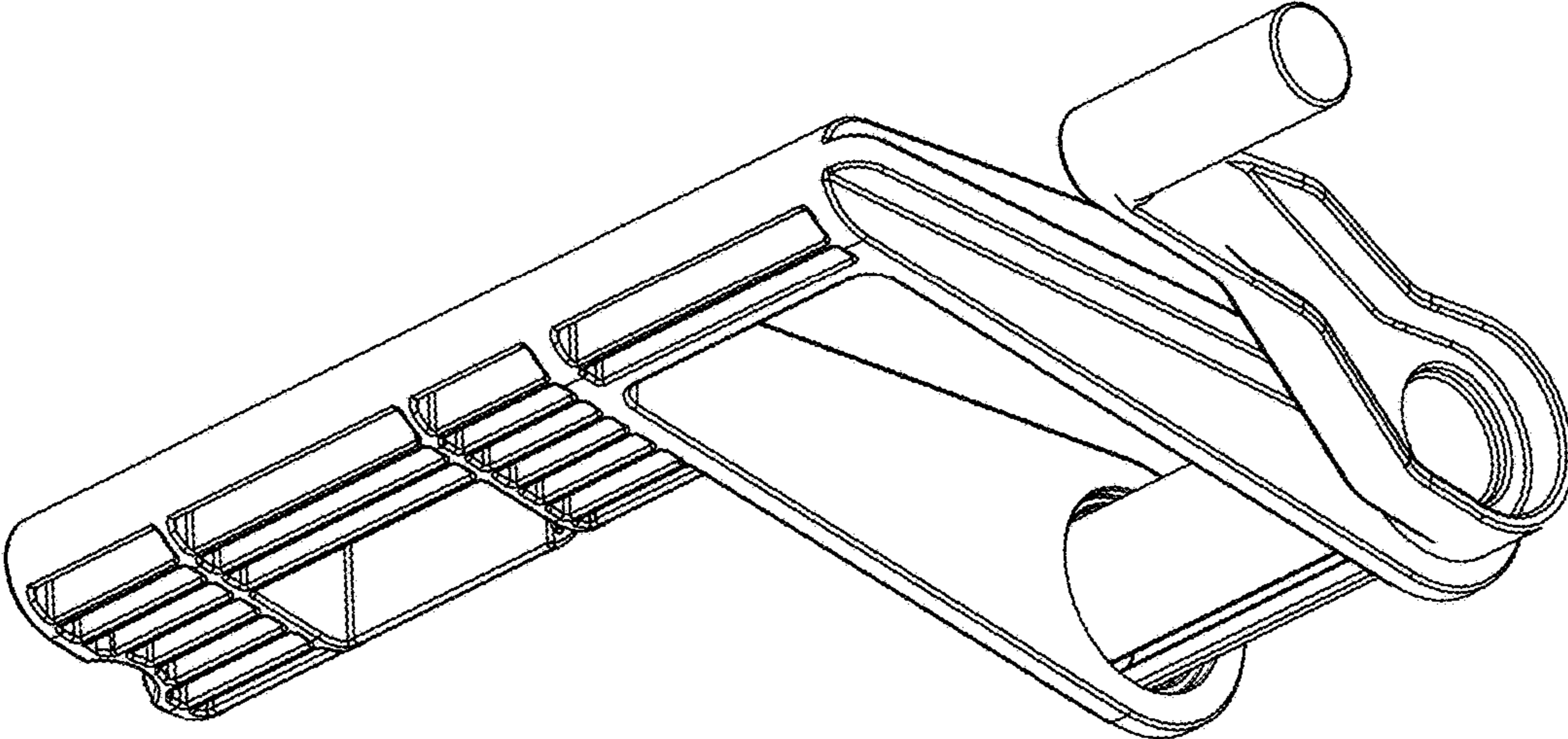


FIG. 3

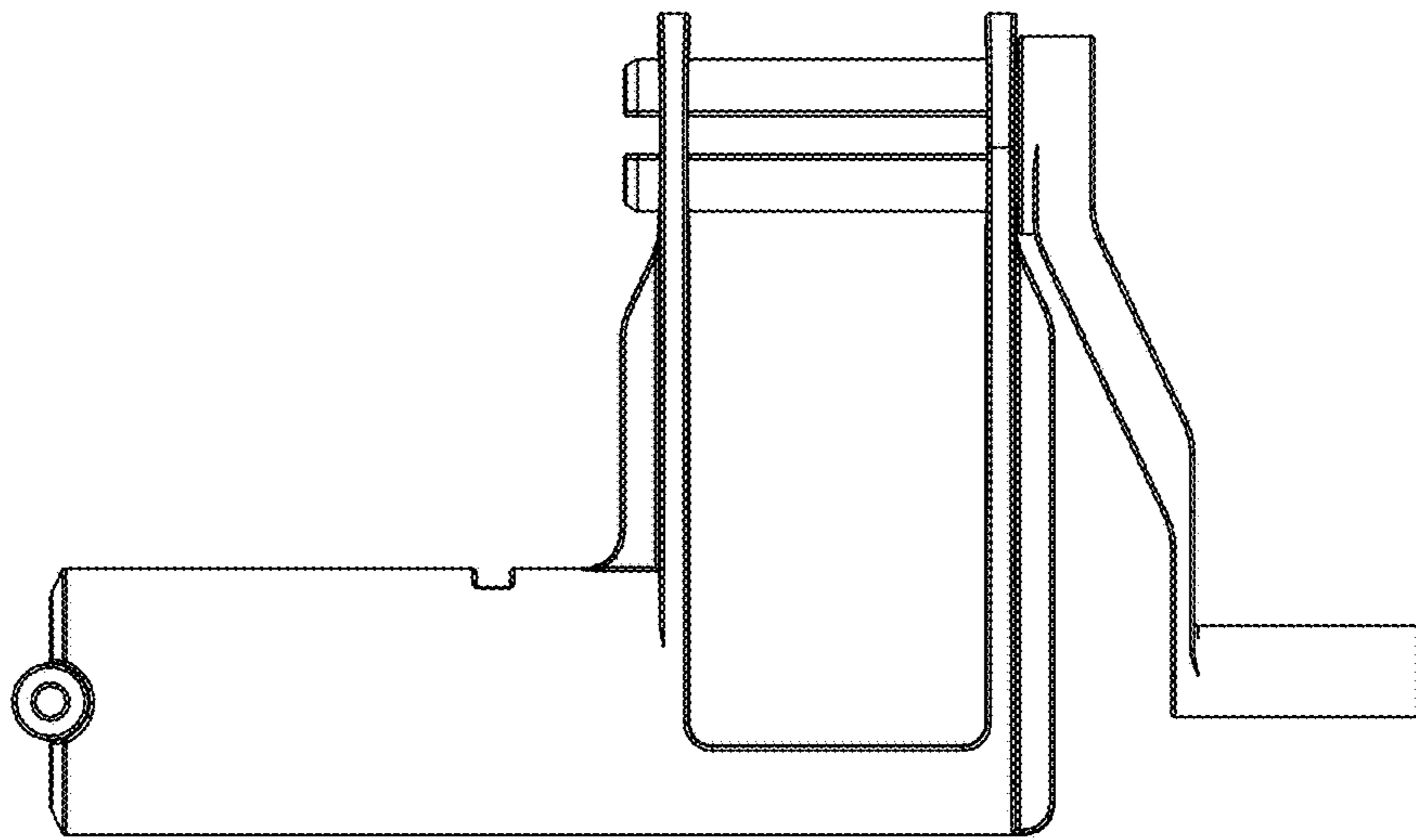


FIG. 4

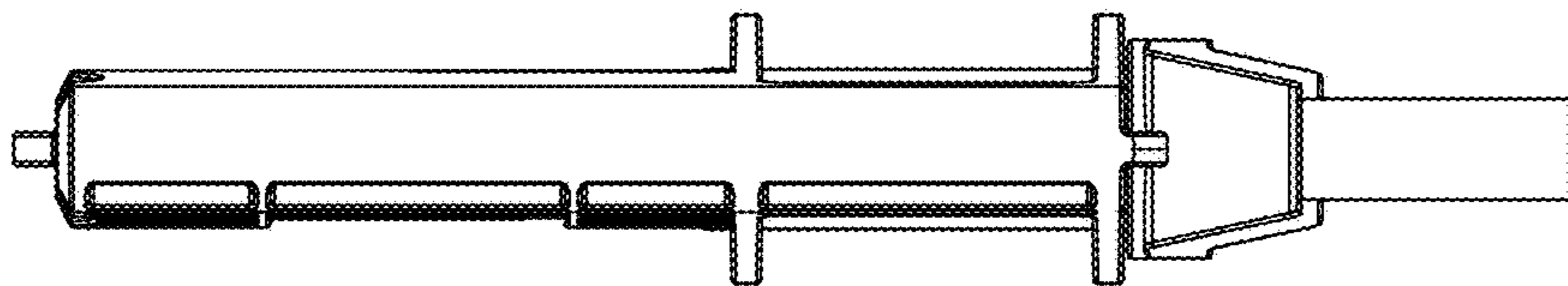


FIG. 5

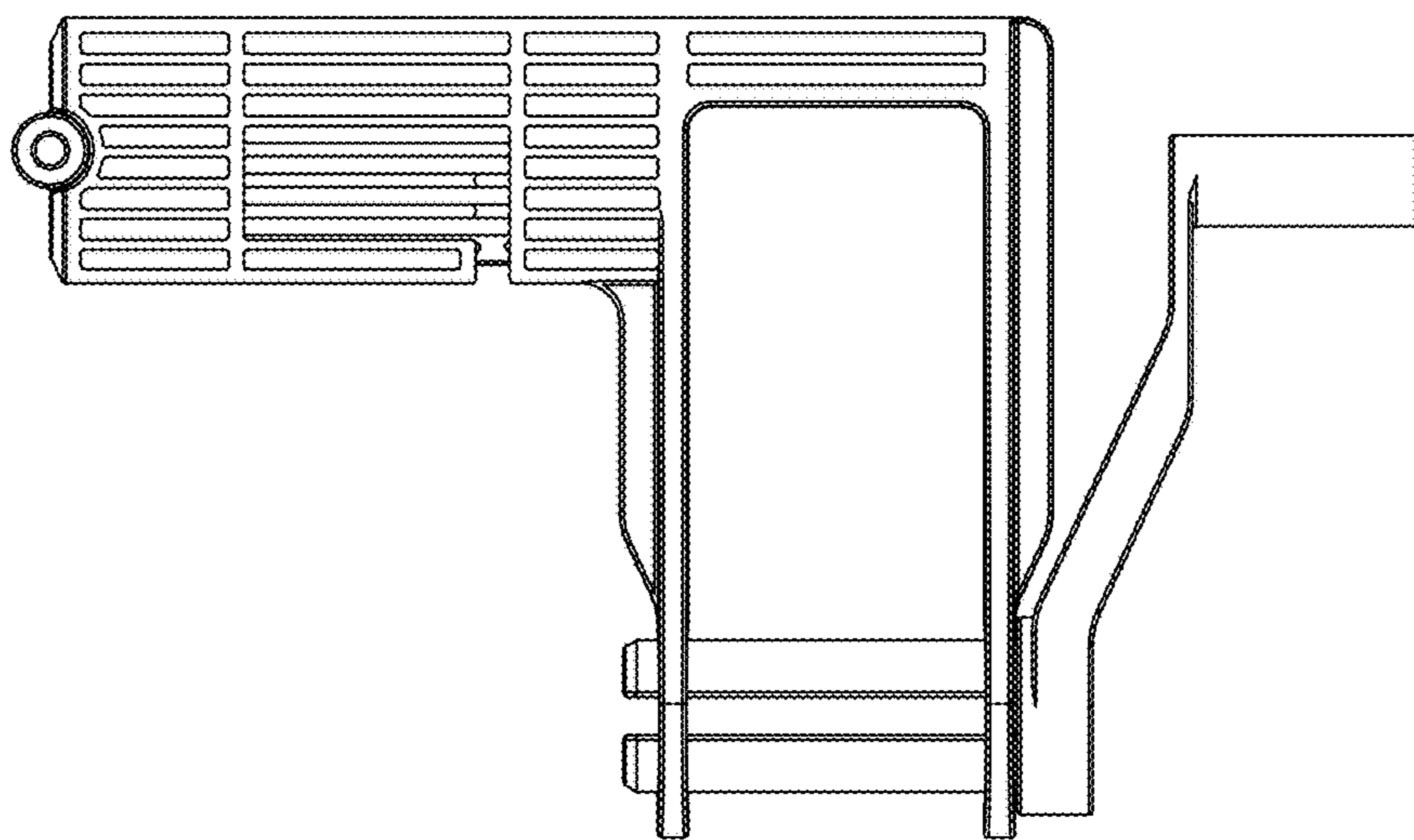


FIG. 6

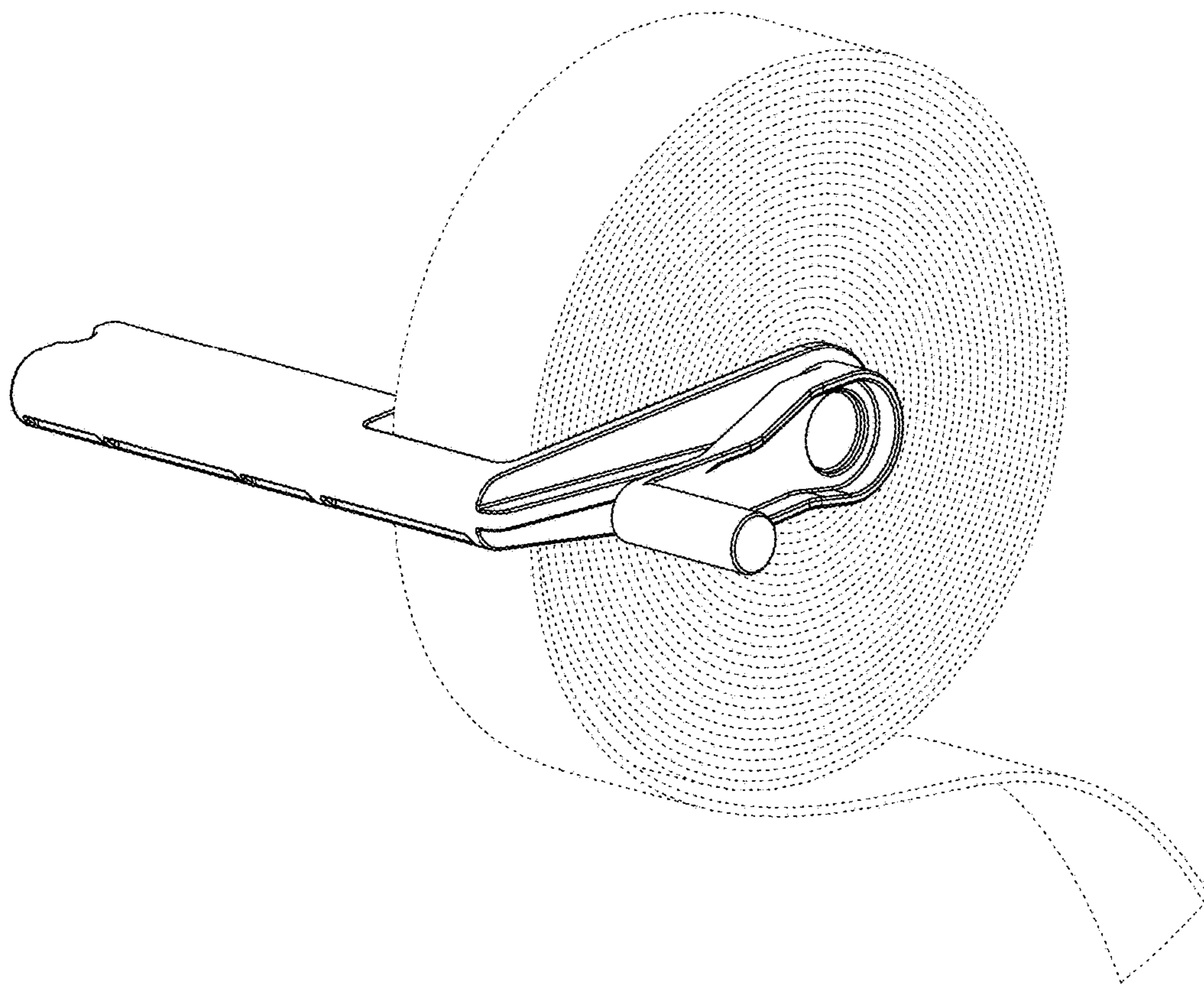


FIG. 7