



US00D786656S

(12) **United States Design Patent**
Miner et al.

(10) **Patent No.:** **US D786,656 S**
(45) **Date of Patent:** **** May 16, 2017**

(54) **AIR HOSE HANGER FOR A RAIL WAY VEHICLE**

(71) Applicant: **A. Stucki Co.**, Moon Township, PA (US)

(72) Inventors: **Scott D. Miner**, Pittsburgh, PA (US); **Victoria K. Livingston**, Bethel Park, PA (US); **James S. Kennedy**, Zelienople, PA (US)

(73) Assignee: **A. Stucki Co.**, Moon Township, PA (US)

(**) Term: **15 Years**

(21) Appl. No.: **29/562,268**

(22) Filed: **Apr. 25, 2016**

Related U.S. Application Data

(62) Division of application No. 29/479,247, filed on Jan. 14, 2014, now Pat. No. Des. 772,041.

(51) **LOC (10) Cl.** **08-05**

(52) **U.S. Cl.**
USPC **D8/356**

(58) **Field of Classification Search**
USPC D8/349, 354, 355, 356, 363, 373, 382
CPC ... B61G 7/00; B61G 5/00; B61G 5/06; B61G 5/08; B60T 17/043; B60T 17/046; F16L 3/00; F16L 3/01; F16L 3/003
See application file for complete search history.

(56) **References Cited**

U.S. PATENT DOCUMENTS

364,527 A	6/1887	Lash	
D44,229 S	6/1913	Adams	
D45,903 S *	6/1914	Dennis	D8/366
1,245,787 A	11/1917	Robinson	
1,245,799 A	11/1917	Robinson	

1,493,498 A	5/1924	Pluym	
1,752,193 A	3/1930	O'Hanlon	
1,934,960 A	11/1933	Woodruff	
1,934,961 A	11/1933	Woodruff	
3,587,868 A *	6/1971	Yates	B61G 5/06 213/1 R
3,592,425 A *	7/1971	Randolph	B61G 5/06 213/1 R
3,650,545 A	3/1972	Freed	
4,002,357 A	1/1977	Bennett	
4,301,932 A *	11/1981	Altherr	B61G 5/08 213/76
D266,142 S	9/1982	Sikstrom	
D273,297 S	4/1984	Nolff	
D274,978 S *	8/1984	Preisler	D8/349
D288,280 S *	2/1987	Schnable	74/606 R

(Continued)

Primary Examiner — Sandra Snapp

Assistant Examiner — Ieisha Price

(74) *Attorney, Agent, or Firm* — Buchanan Ingersoll & Rooney PC

(57) **CLAIM**

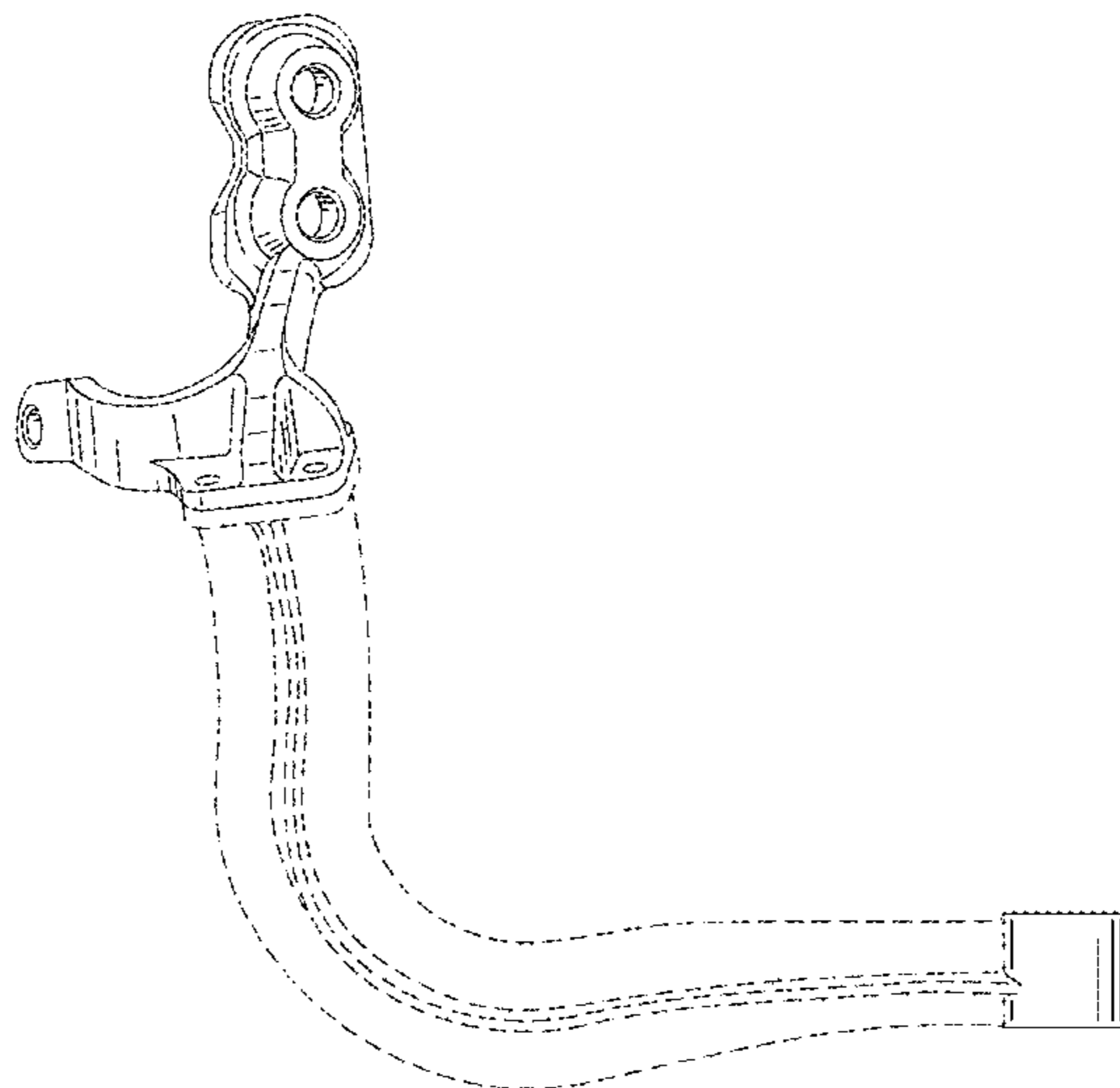
The ornamental design for an air hose hanger for a rail way vehicle, as shown and described.

DESCRIPTION

FIG. 1 is a perspective view of an air hose hanger for a rail way vehicle showing our new design; FIG. 2 is a right side elevational view thereof; FIG. 3 is a rear view thereof; FIG. 4 is a left side elevational view thereof; FIG. 5 is a front view thereof; FIG. 6 is a top plan view thereof; FIG. 7 is a bottom plan view thereof; and, FIG. 8 is an alternate perspective view of the air hose hanger shown in FIG. 1.

The broken lines in the drawings illustrate portions of the air hose hanger for a rail way vehicle and form no part of the claimed design.

1 Claim, 8 Drawing Sheets



(56)

References Cited

U.S. PATENT DOCUMENTS

D449,973 S 11/2001 Beltran
D521,852 S * 5/2006 Hall D8/354
7,267,306 B2 9/2007 Eason
D583,652 S 12/2008 Vermesi et al.
D594,739 S * 6/2009 Lee D8/363
7,637,381 B2 12/2009 Foxx et al.
7,757,995 B2 7/2010 McKiernan
7,780,022 B2 8/2010 Vermesi et al.
8,066,231 B2 11/2011 McKiernan
D691,028 S 10/2013 Malins et al.
D691,459 S 10/2013 Waugh et al.
D714,625 S 10/2014 Peterson
D714,626 S 10/2014 Trifari, Jr.
D737,663 S 9/2015 Kandakur et al.
D772,041 S * 11/2016 Miner D8/356
2006/0163442 A1 7/2006 Eason et al.
2007/0267377 A1 11/2007 McKiernan
2009/0166479 A1 7/2009 Vermesi et al.
2015/0197258 A1 7/2015 Miner et al.
2015/0197259 A1 7/2015 Miner et al.
2016/0123502 A1 * 5/2016 Maki B61H 11/06
29/525.01

* cited by examiner

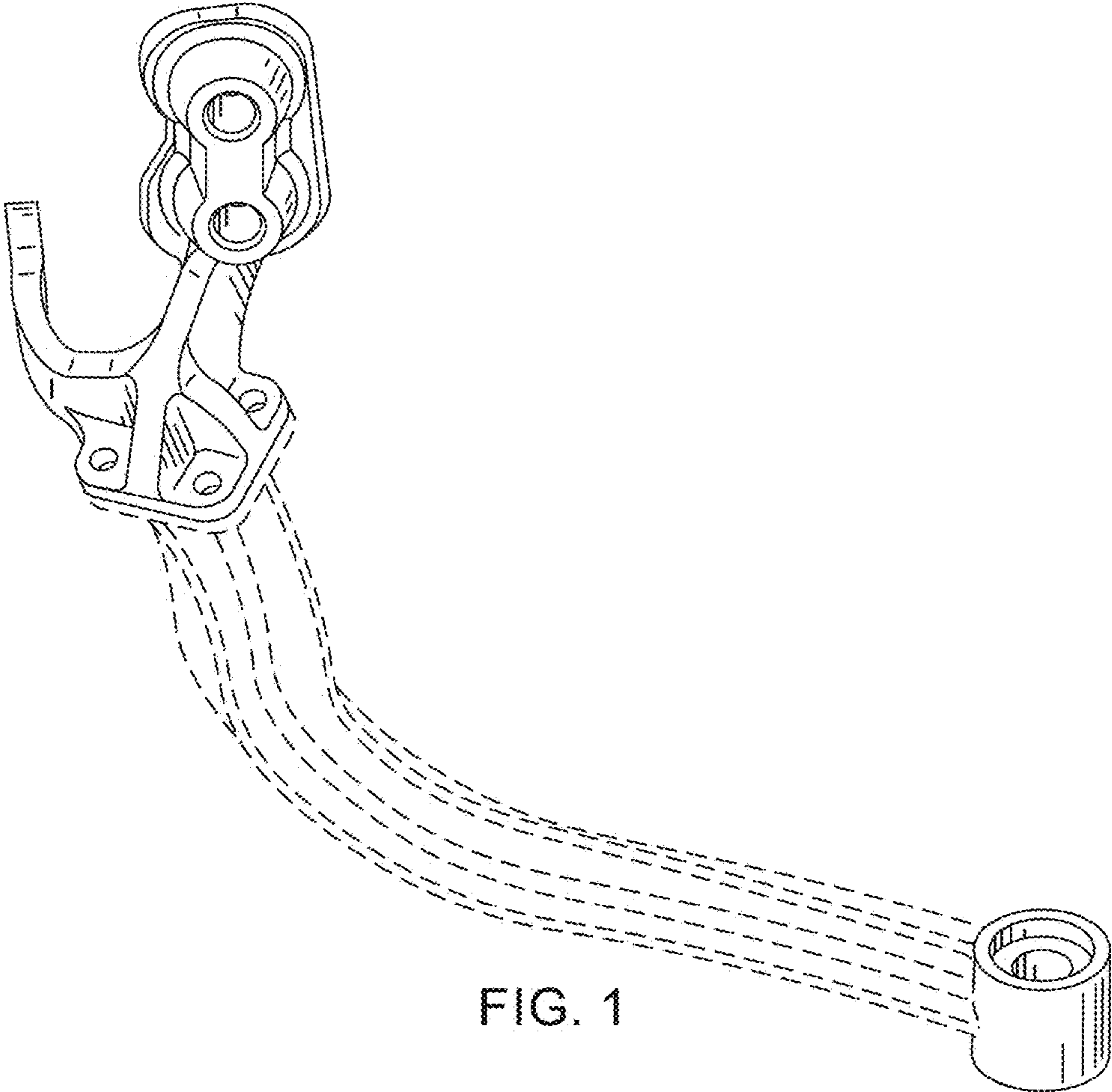


FIG. 1

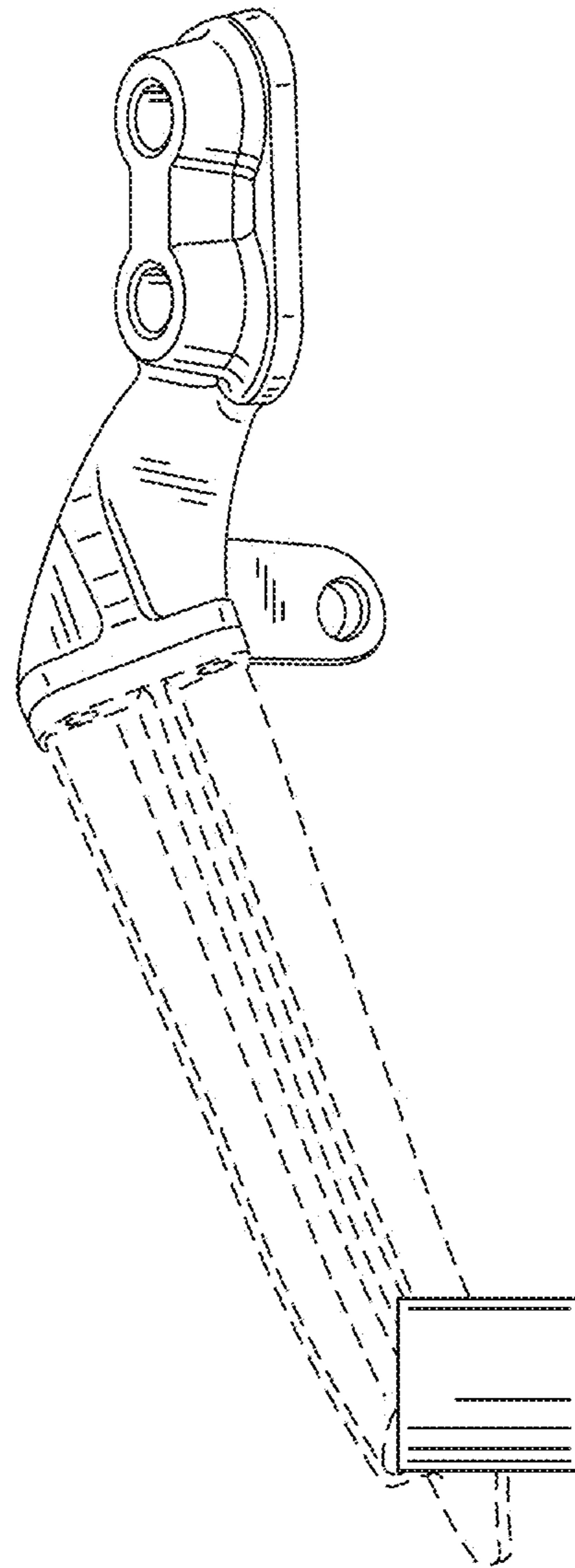


FIG. 2

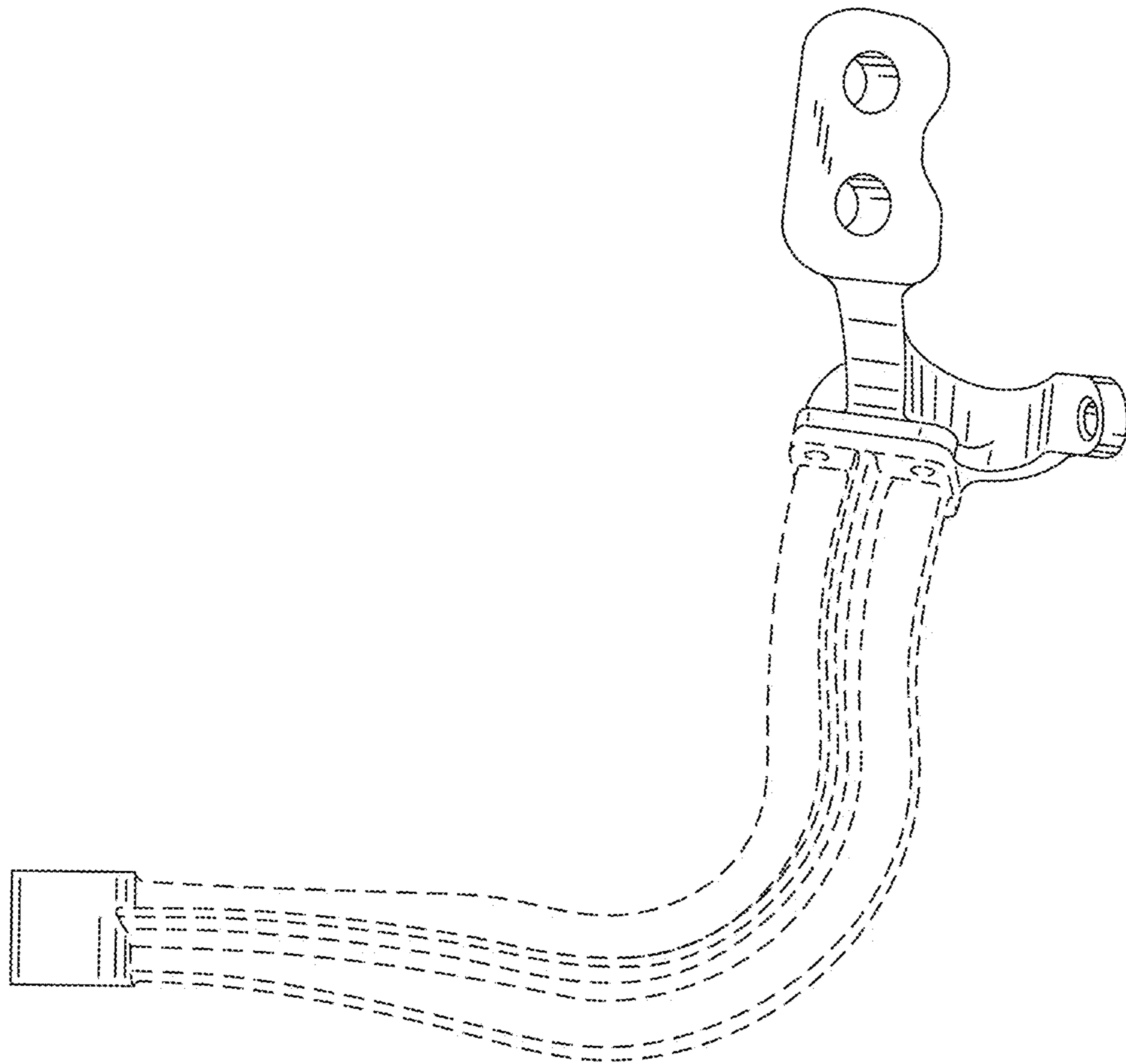


FIG. 3

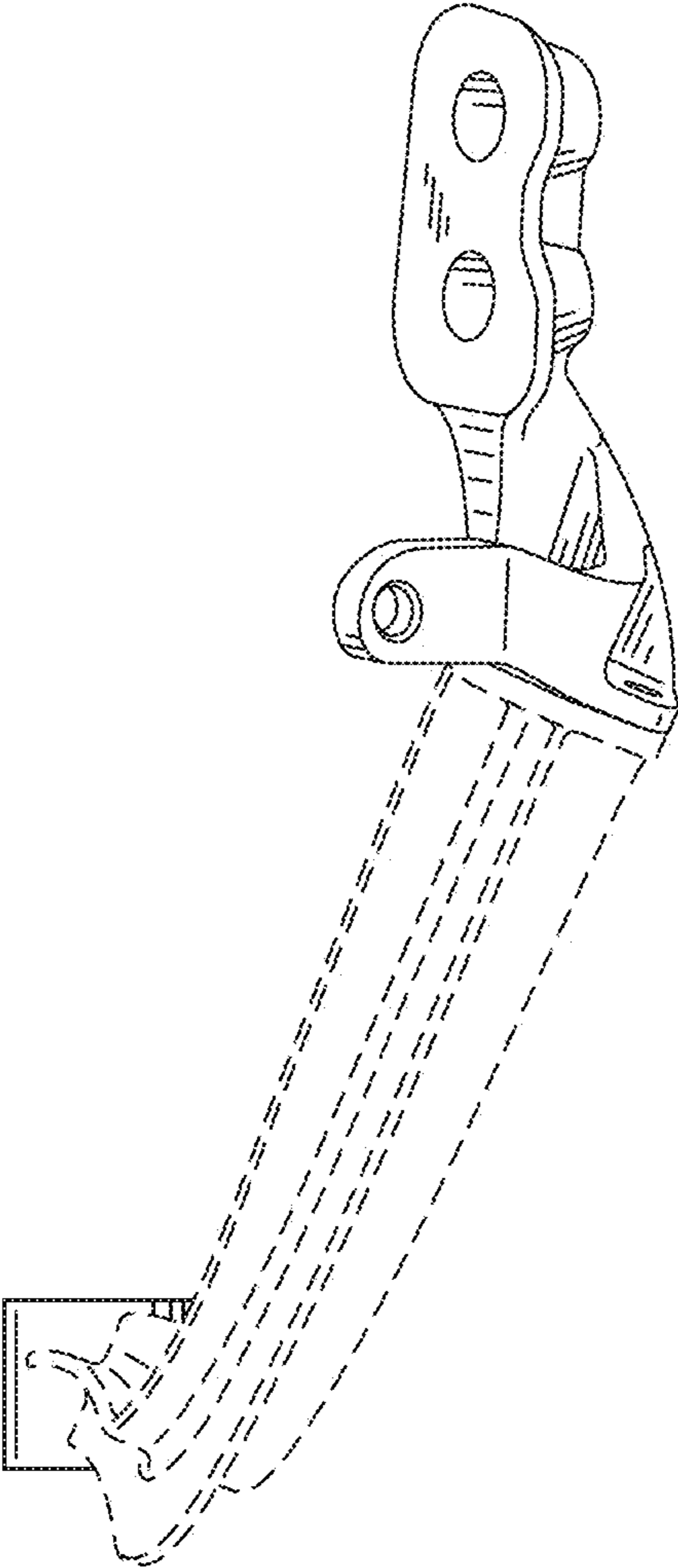


FIG. 4

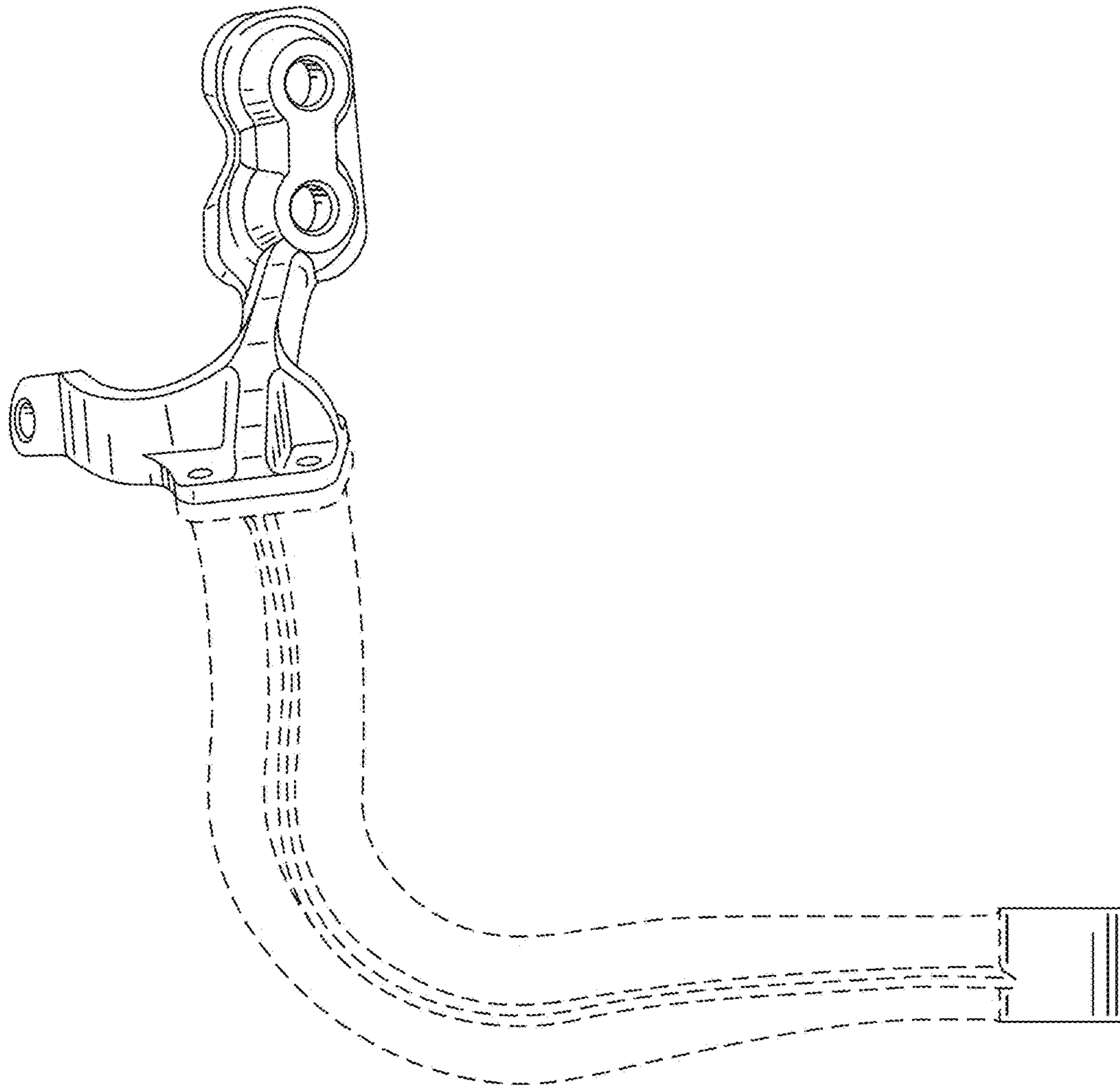


FIG. 5

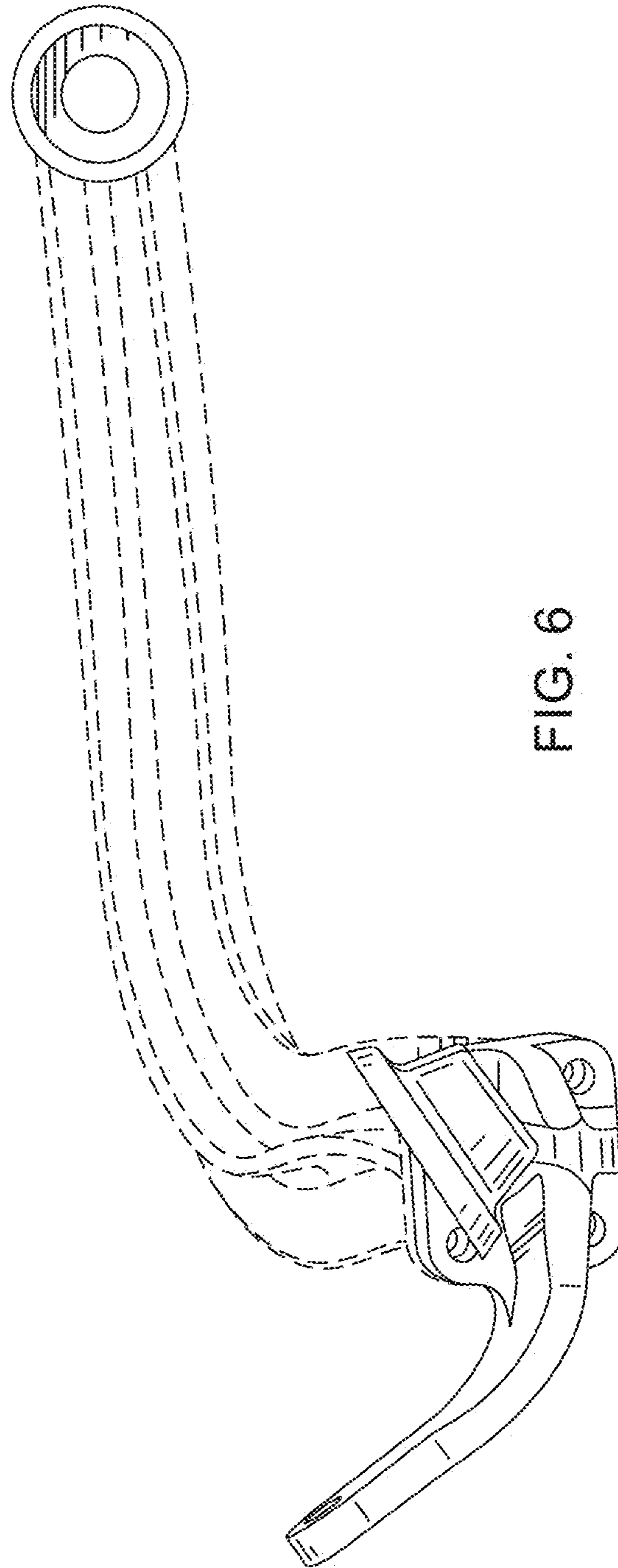


FIG. 6

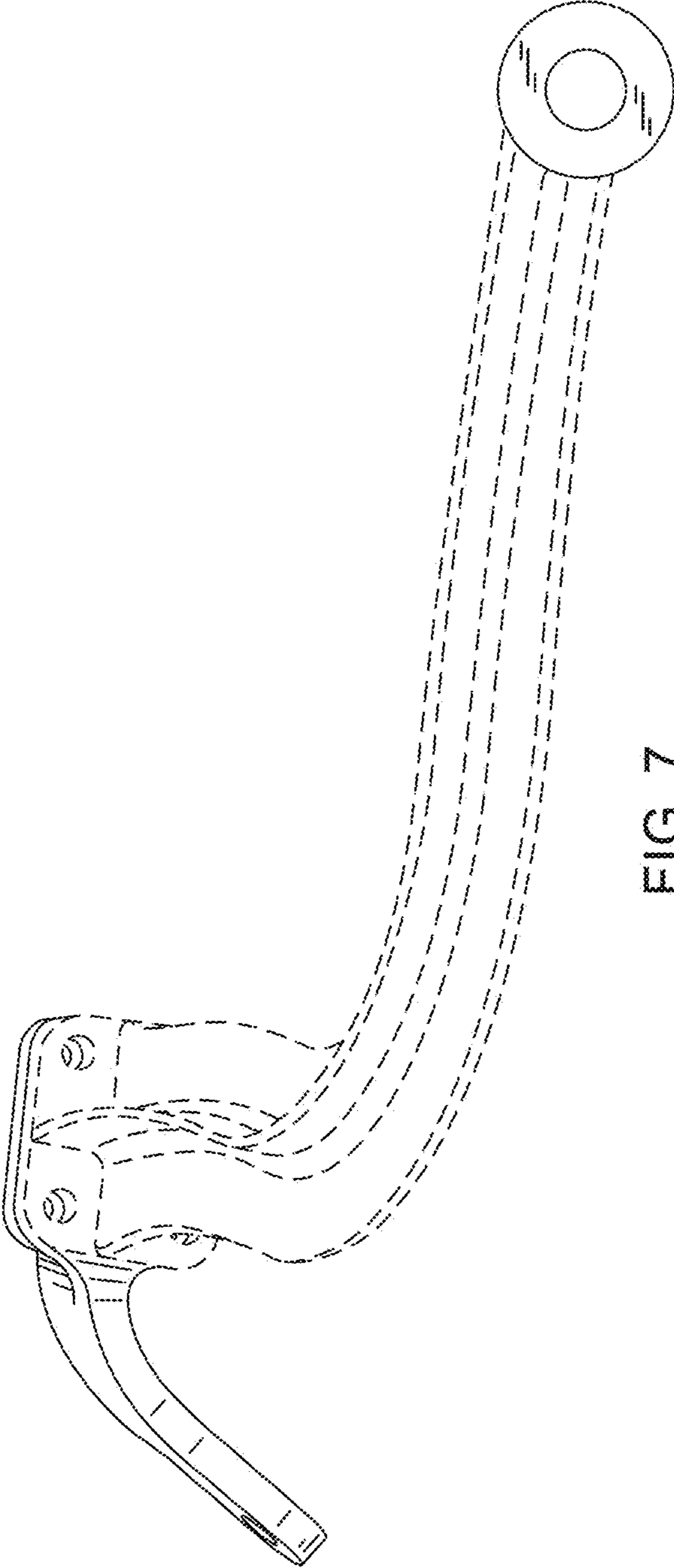


FIG. 7

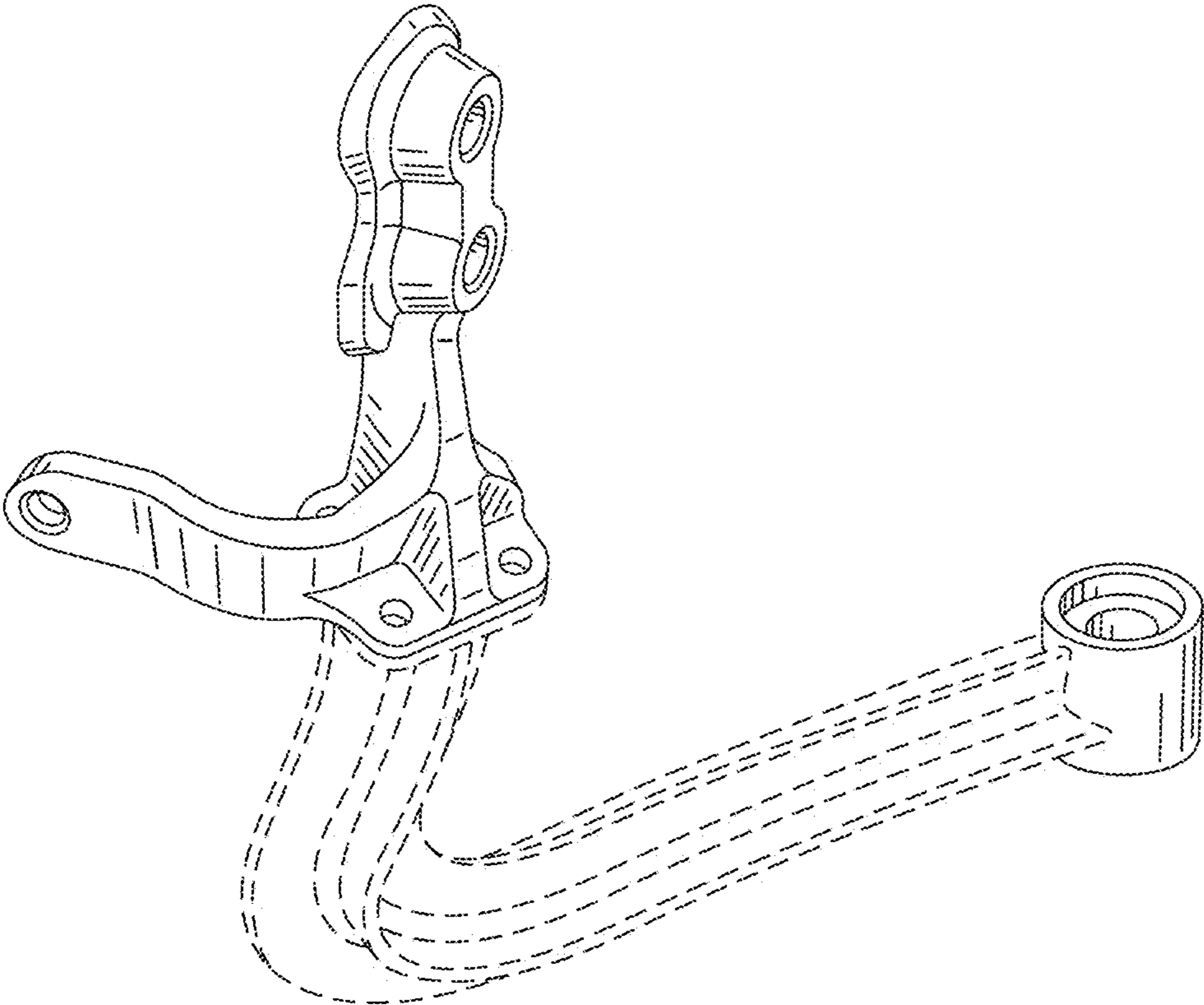


FIG. 8