



US00D786653S

(12) **United States Design Patent**
Oliva Camacho et al.

(10) **Patent No.:** **US D786,653 S**
(45) **Date of Patent:** **** May 16, 2017**

(54) **DOOR LOCK**
(71) Applicant: **Glue Together AB**, Stockholm (SE)
(72) Inventors: **Juan Diego Oliva Camacho**,
Stockholm (SE); **Carl Johan**
Grandinson, Stockholm (SE); **Tai Jung**
Lee, London (GB); **Sarah Liddell**,
Stockholm (SE)
(73) Assignee: **Glue Together AB**, Stockholm (SE)

7,091,429 B2 * 8/2006 Case E05B 15/02
200/314
D588,439 S * 3/2009 Lin D8/330
8,347,673 B2 * 1/2013 Wang E05B 37/16
70/214
D682,656 S * 5/2013 Cramer D8/331
D686,056 S * 7/2013 Li D8/331
D733,522 S * 7/2015 Kim D8/331
9,347,241 B1 * 5/2016 Peng E05B 37/16
D761,082 S * 7/2016 Lu D8/331
D766,067 S * 9/2016 Hyde D8/330
D768,463 S * 10/2016 Kraus D8/330

(**) Term: **15 Years**

(21) Appl. No.: **29/558,042**

(22) Filed: **Mar. 15, 2016**

(30) **Foreign Application Priority Data**

Sep. 16, 2015 (EM) 002773705

(51) **LOC (10) Cl.** **08-07**

(52) **U.S. Cl.**
USPC **D8/331; D8/330**

(58) **Field of Classification Search**
USPC D8/330, 331, 334, 300, 301, 350; 70/14,
70/20-22, 57, 57.1, 284-286, 314,
70/DIG. 44, 266, 277, 271
CPC E05B 9/00; E05B 9/02; E05B 2009/006;
E05B 49/00
See application file for complete search history.

(56) **References Cited**

U.S. PATENT DOCUMENTS

D365,976 S * 1/1996 Chiu D8/301
D513,469 S * 1/2006 Gao D8/350

FOREIGN PATENT DOCUMENTS

RU 43360 S 4/1997

* cited by examiner

Primary Examiner — Prabhakar Deshmukh

(74) *Attorney, Agent, or Firm* — Saidman DesignLaw
Group, LLC

(57) **CLAIM**

The ornamental design for a door lock, as shown and described.

DESCRIPTION

FIG. 1 is a perspective view of a door lock showing our new design;

FIG. 2 is a front view thereof;

FIG. 3 is a rear view thereof;

FIG. 4 is a right side view thereof;

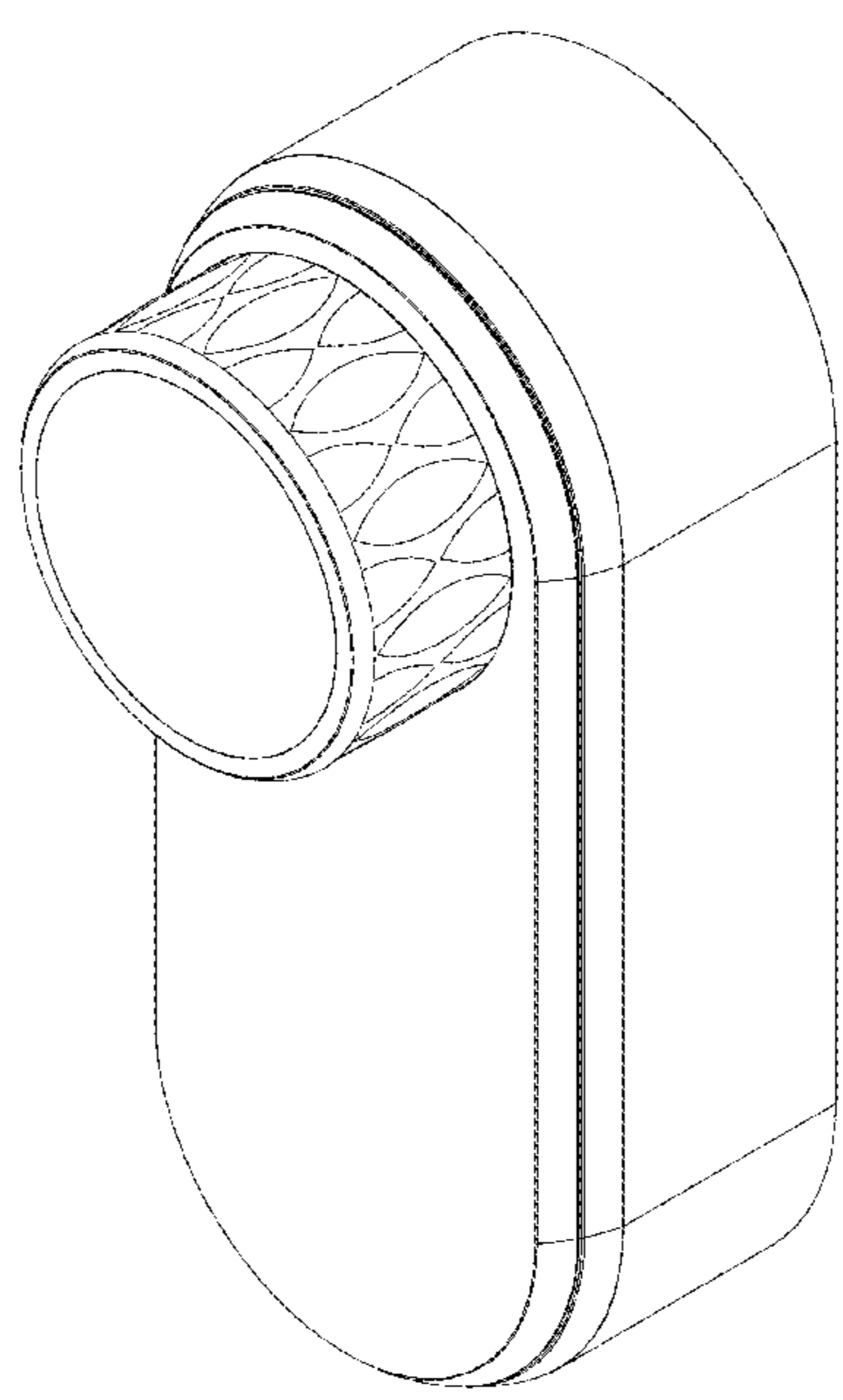
FIG. 5 is a left side view thereof;

FIG. 6 is a top view thereof; and,

FIG. 7 is a bottom view thereof.

The broken lines illustrate structure or features that form no part of the claimed design.

1 Claim, 7 Drawing Sheets



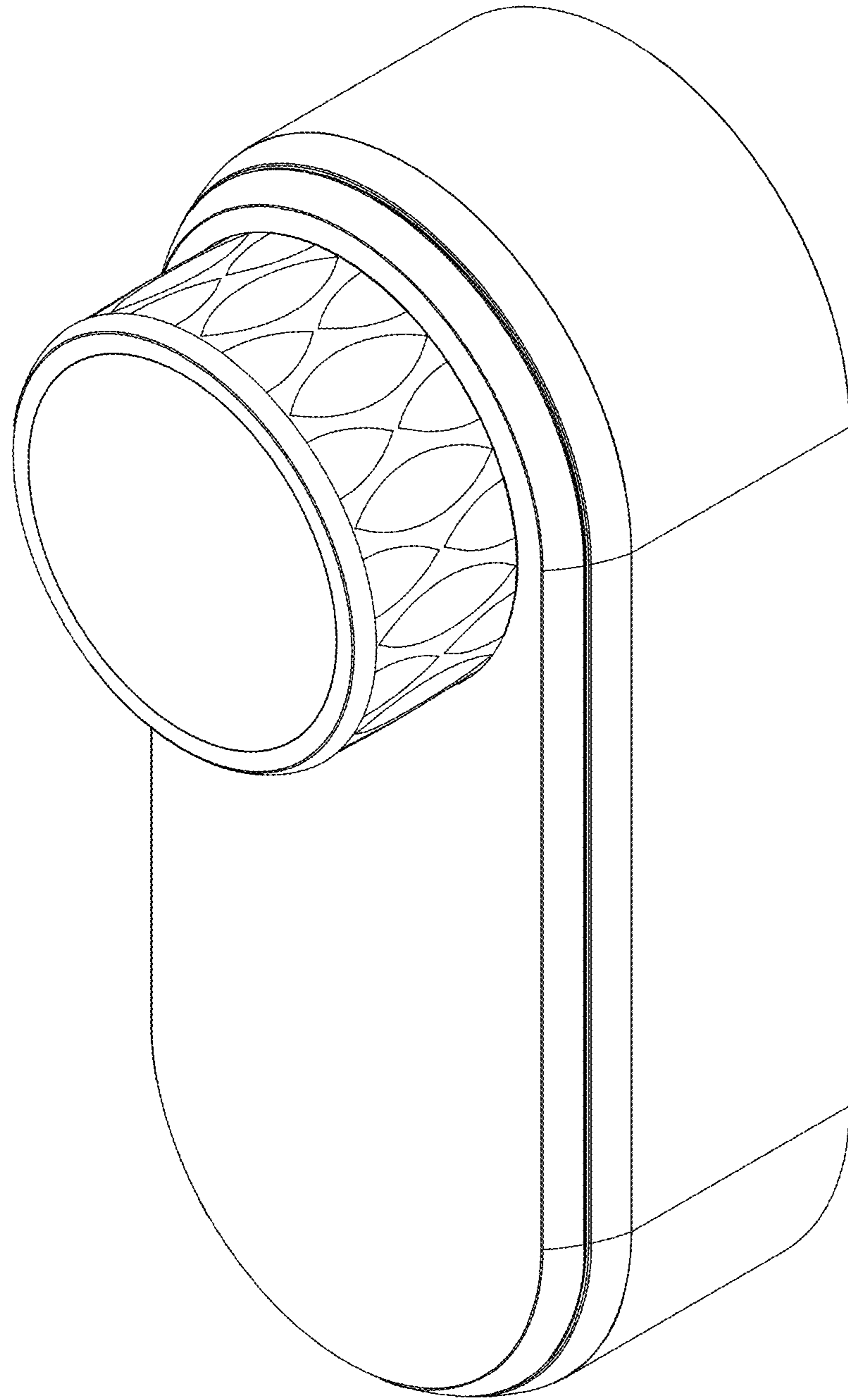


FIG. 1

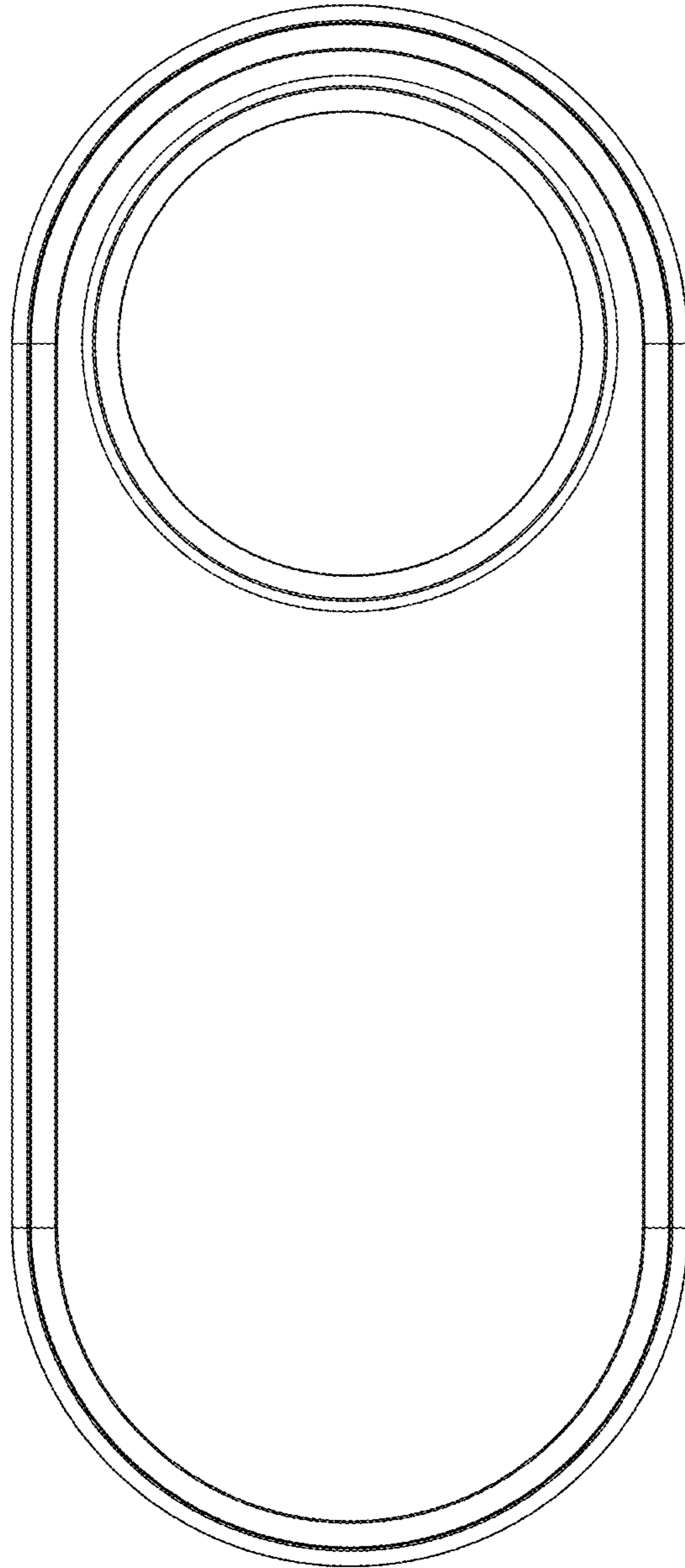


FIG. 2

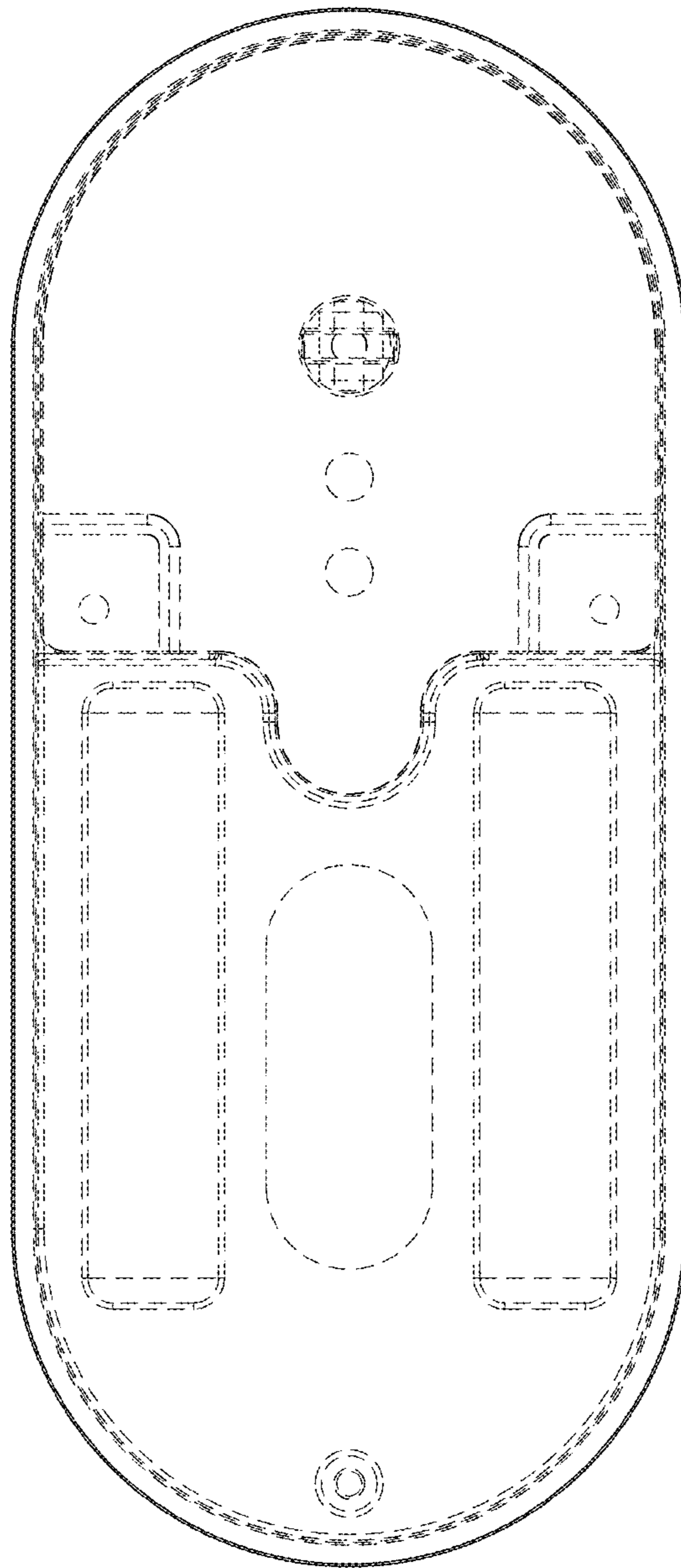


FIG. 3

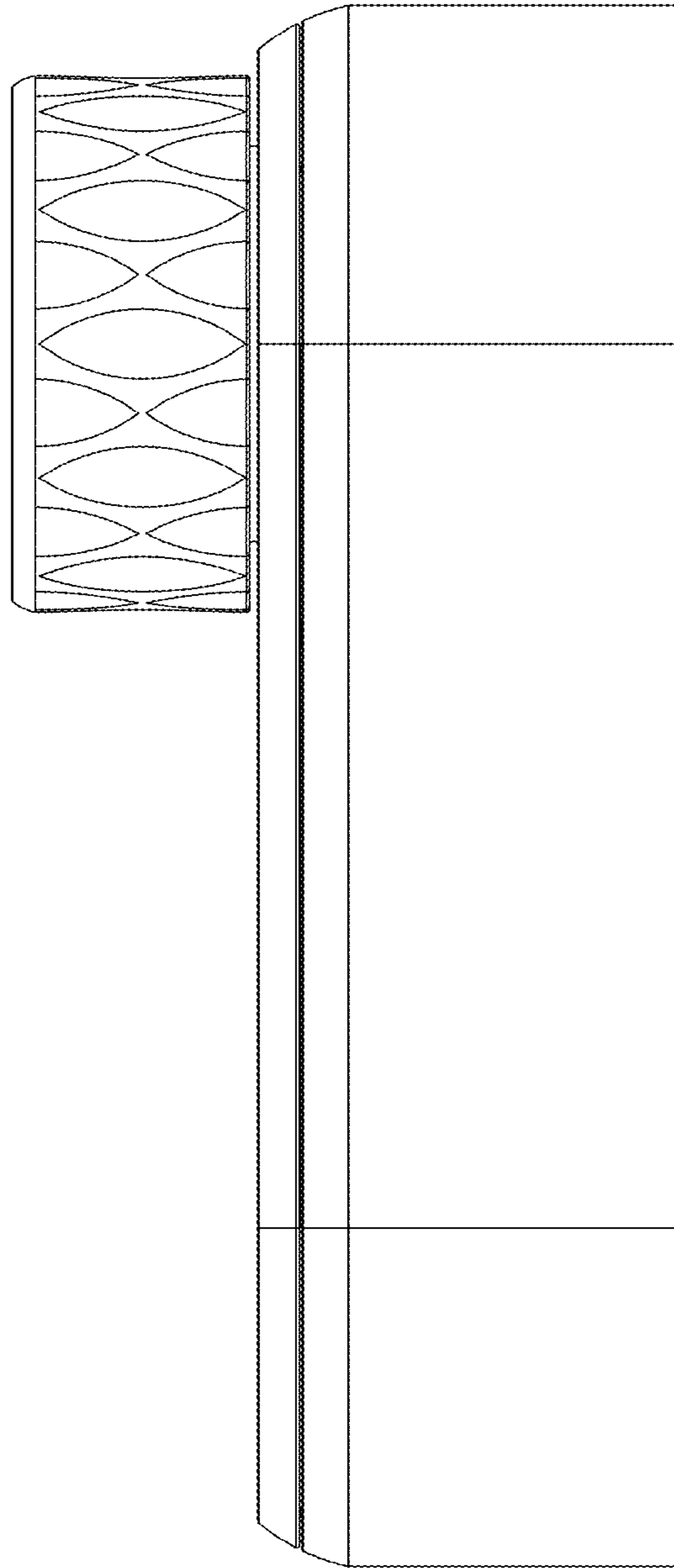


FIG. 4

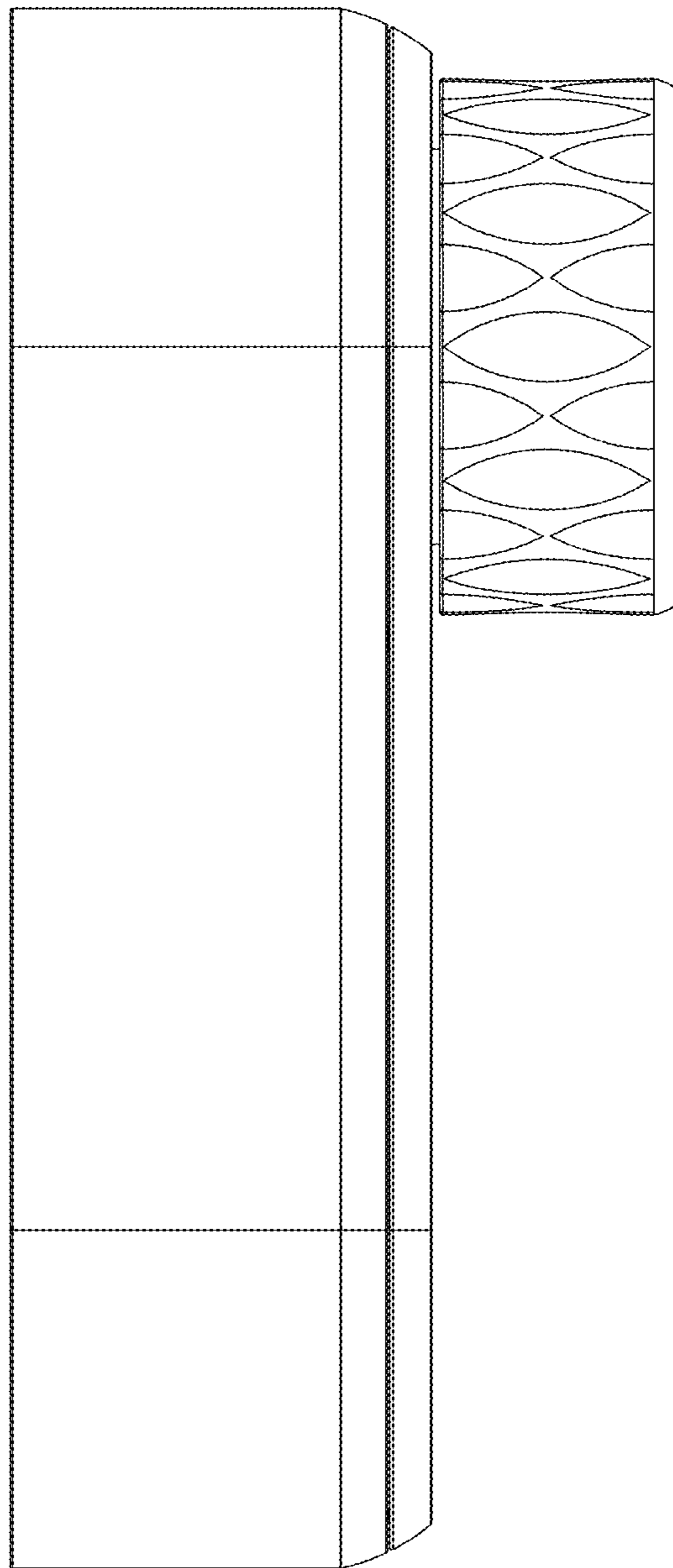


FIG. 5

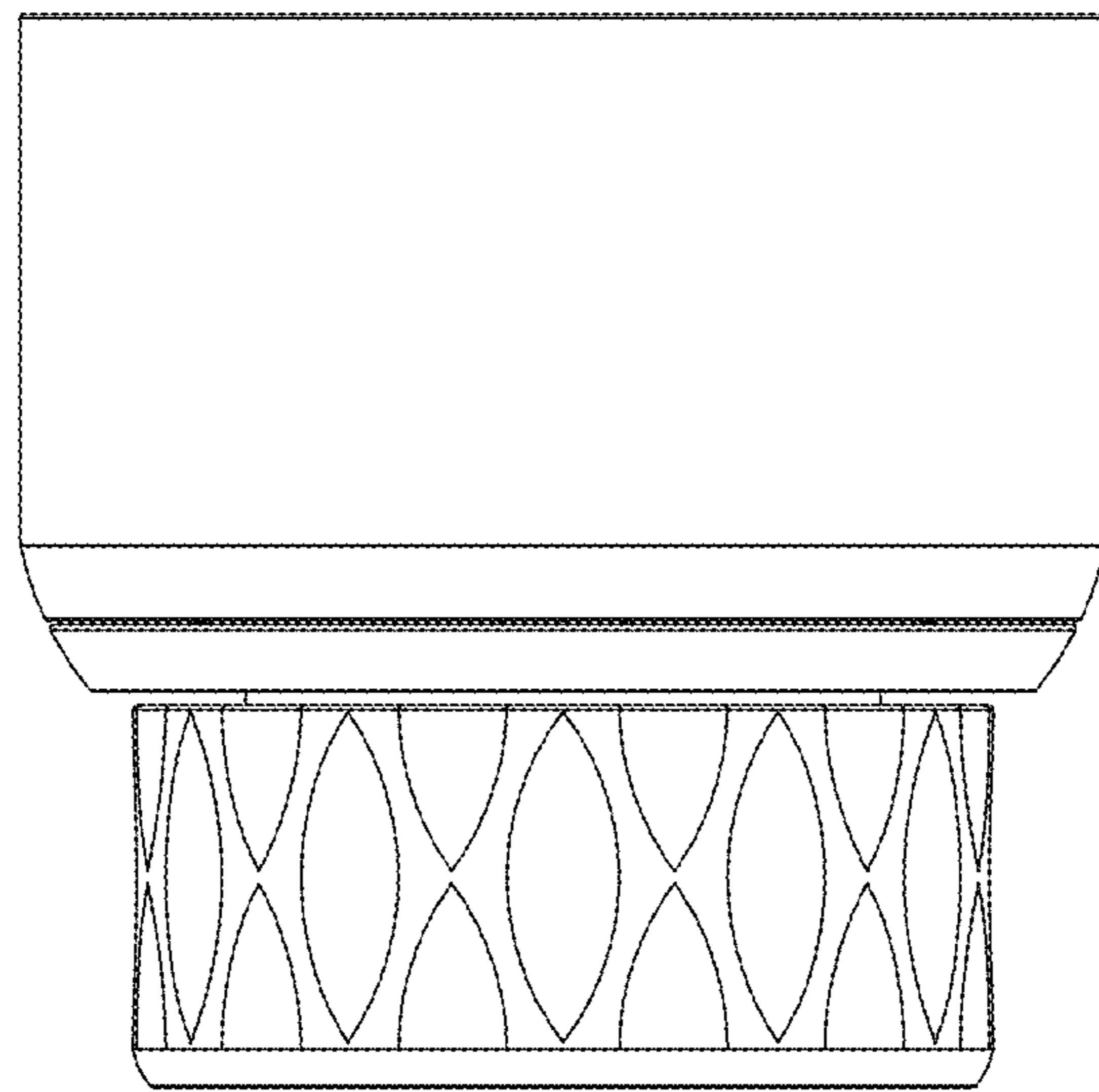


FIG. 6

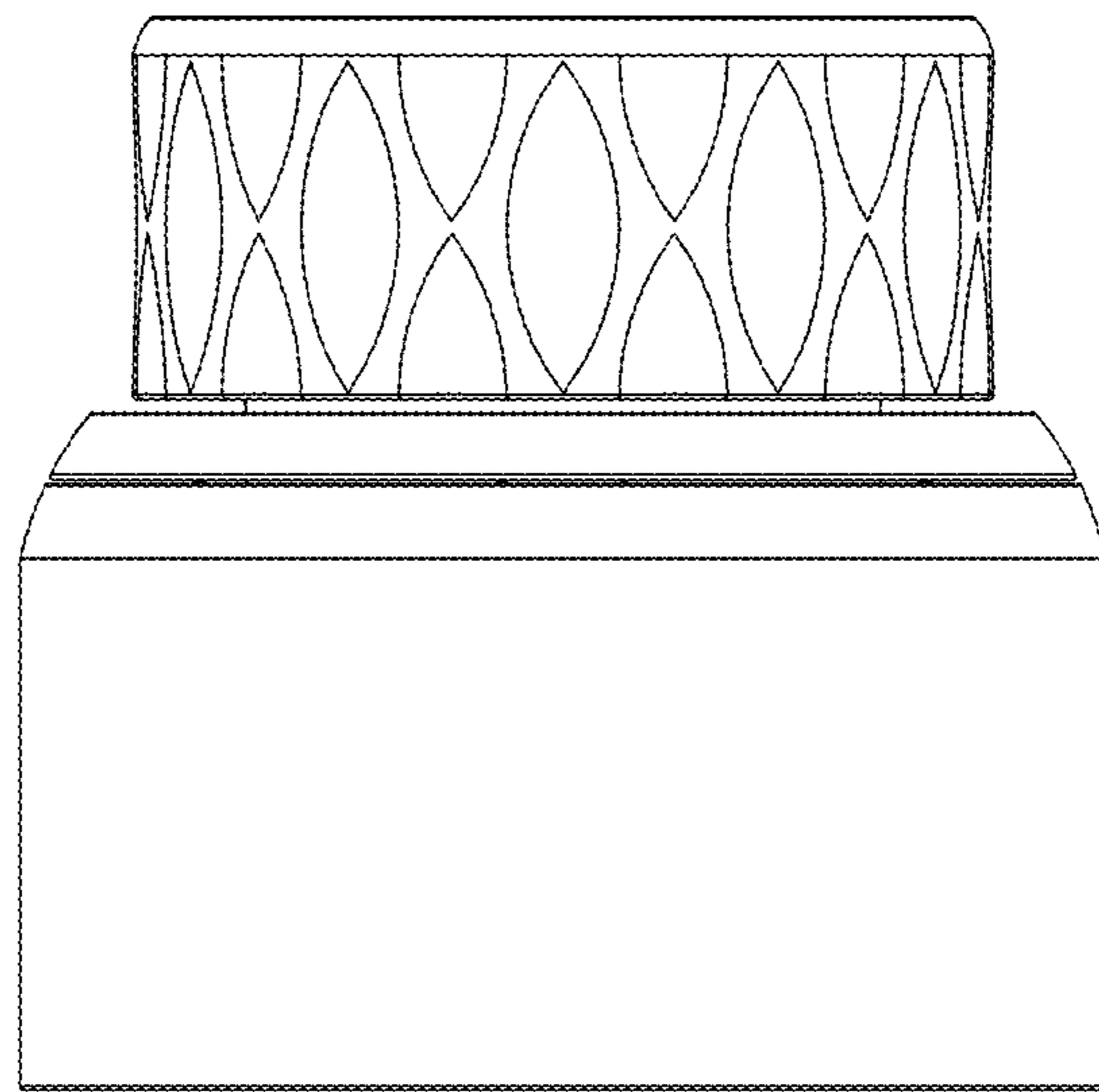


FIG. 7