



US00D786652S

(12) **United States Design Patent**  
**Lira-Nunez**

(10) **Patent No.:** **US D786,652 S**  
(45) **Date of Patent:** **\*\* May 16, 2017**

- (54) **INSTRUMENT BEZEL**
- (71) Applicant: **Carmen O. Lira-Nunez**, Downers Grove, IL (US)
- (72) Inventor: **Carmen O. Lira-Nunez**, Downers Grove, IL (US)
- (73) Assignee: **Weber-Stephen Products LLC**, Palatine, IL (US)
- (\*\*) Term: **15 Years**
- (21) Appl. No.: **29/550,100**
- (22) Filed: **Dec. 30, 2015**
- (51) **LOC (10) Cl.** ..... **08-06**
- (52) **U.S. Cl.**  
USPC ..... **D8/321; D8/352**
- (58) **Field of Classification Search**  
USPC ..... D8/107, 300, 301, 307, 310, 311, 321, D8/352; D23/250, 421; 74/553, 554, 74/555, 556, 558, 543; D7/393, 394, D7/396, 402, 406, 543, 545, 547, 548; 16/110.1, 422, 426, 430, 443  
CPC ... Y10T 292/57; Y10T 292/82; Y10T 16/469; Y10T 16/44; Y10T 16/476; Y10T 74/2084; Y10T 292/85; Y10T 74/2087; Y10T 16/4713; Y10T 16/506; Y10T 74/20876; Y10T 74/20612; Y10T 70/5765; Y10T 16/459; Y10T 74/2066; Y10T 16/487; Y10T 74/20822; F16K 37/0008; F16K 5/0214; F16D 43/04; A47J 45/063; A47J 43/046; F24C 3/124  
See application file for complete search history.

- D321,468 S \* 11/1991 Reid ..... D23/249
- D369,288 S \* 4/1996 Jensen ..... D8/310
- D585,723 S \* 2/2009 Stuckey ..... D8/321
- 8,434,199 B1 \* 5/2013 Bowen ..... F24C 3/124  
126/42
- 8,733,204 B2 5/2014 Voss
- 2005/0241113 A1 \* 11/2005 Whang ..... A47J 45/063  
16/441
- 2008/0202496 A1 \* 8/2008 Albizuri ..... F16K 5/0214  
126/39 R
- 2010/0264344 A1 \* 10/2010 Shaffer ..... F24C 3/124  
251/213
- 2013/0334349 A1 \* 12/2013 Carden ..... A47J 43/046  
241/68
- 2016/0097541 A1 \* 4/2016 Choi ..... F24C 3/126  
126/39 E

\* cited by examiner

*Primary Examiner* — Derrick Holland

*Assistant Examiner* — Lauren Calve

(74) *Attorney, Agent, or Firm* — Vitale Vickrey Niro & Gasey

(57) **CLAIM**

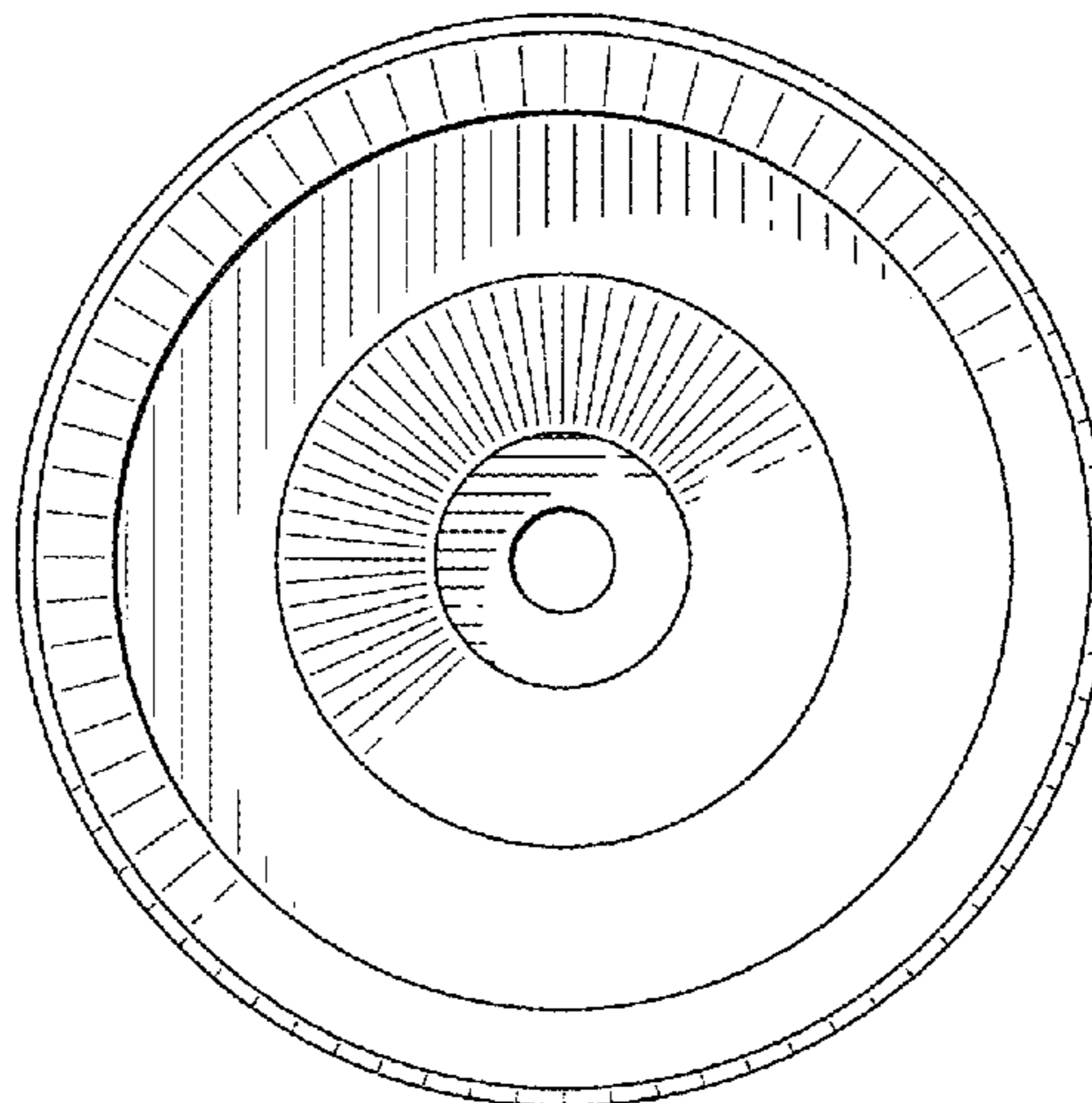
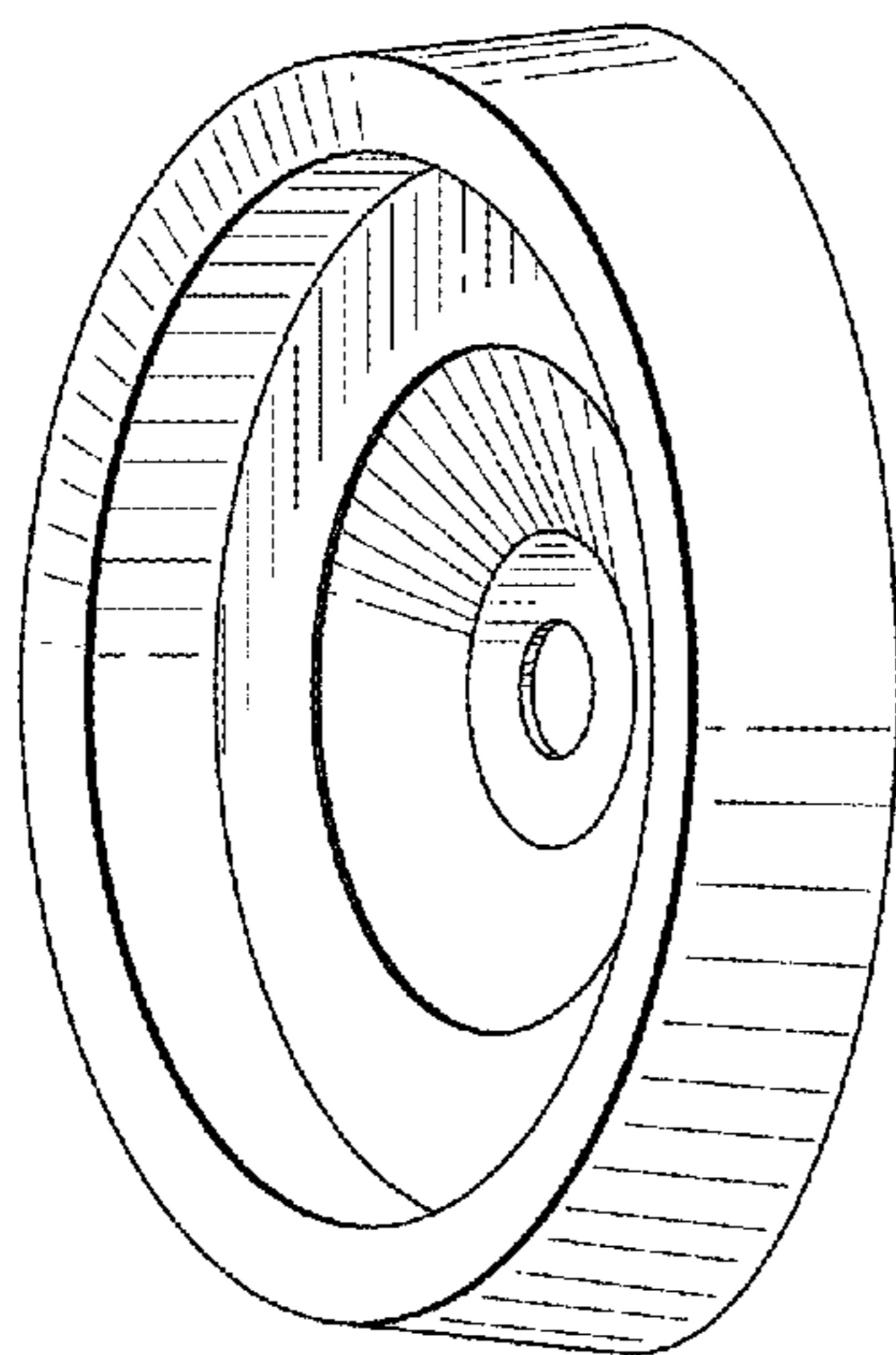
The ornamental design for an instrument bezel, as shown and described.

**DESCRIPTION**

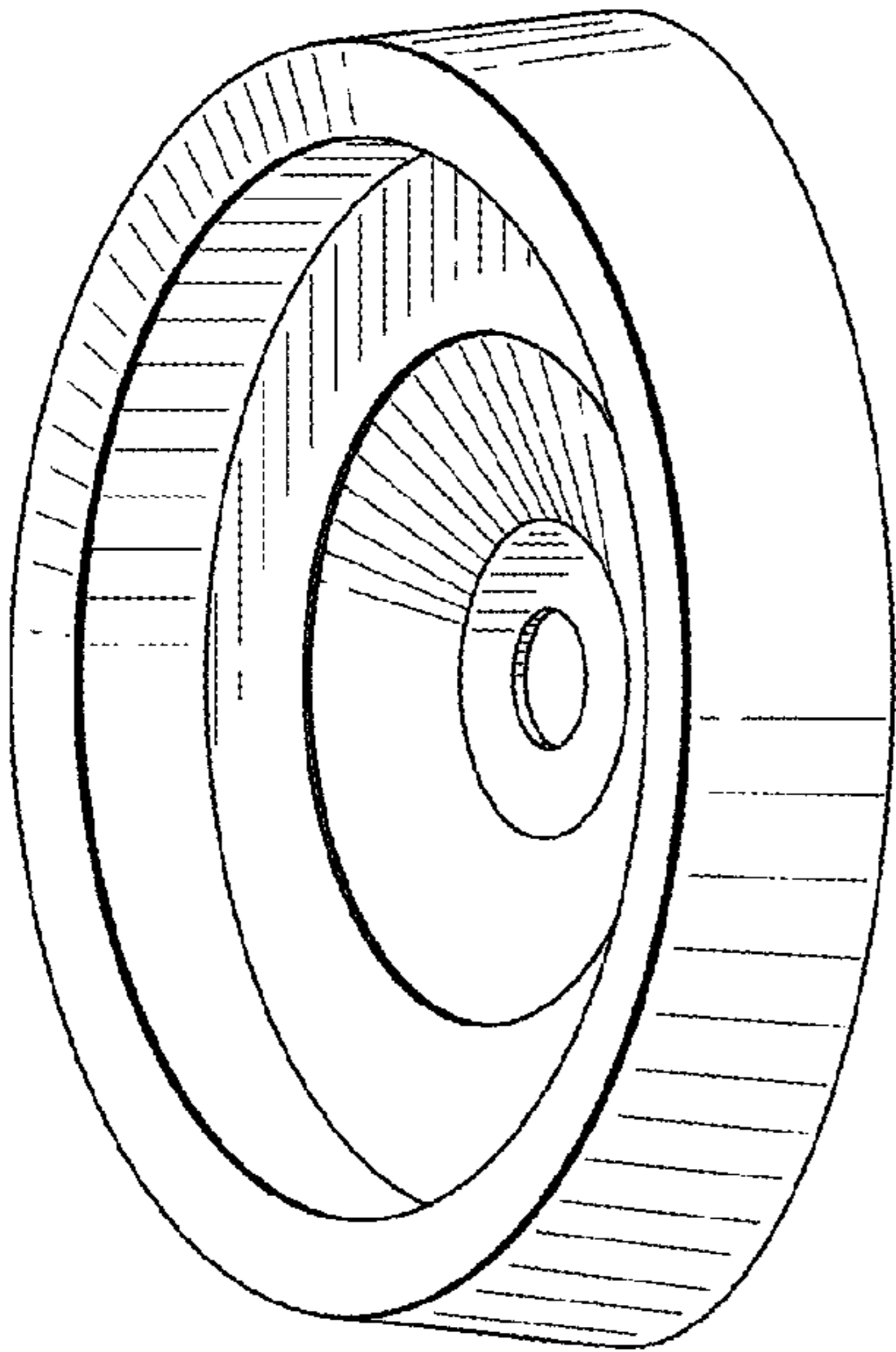
FIG. 1 is a perspective view of an instrument bezel of the present invention;  
FIG. 2 is a front view thereof;  
FIG. 3 is a side view thereof; and,  
FIG. 4 is another side view thereof.

**1 Claim, 1 Drawing Sheet**

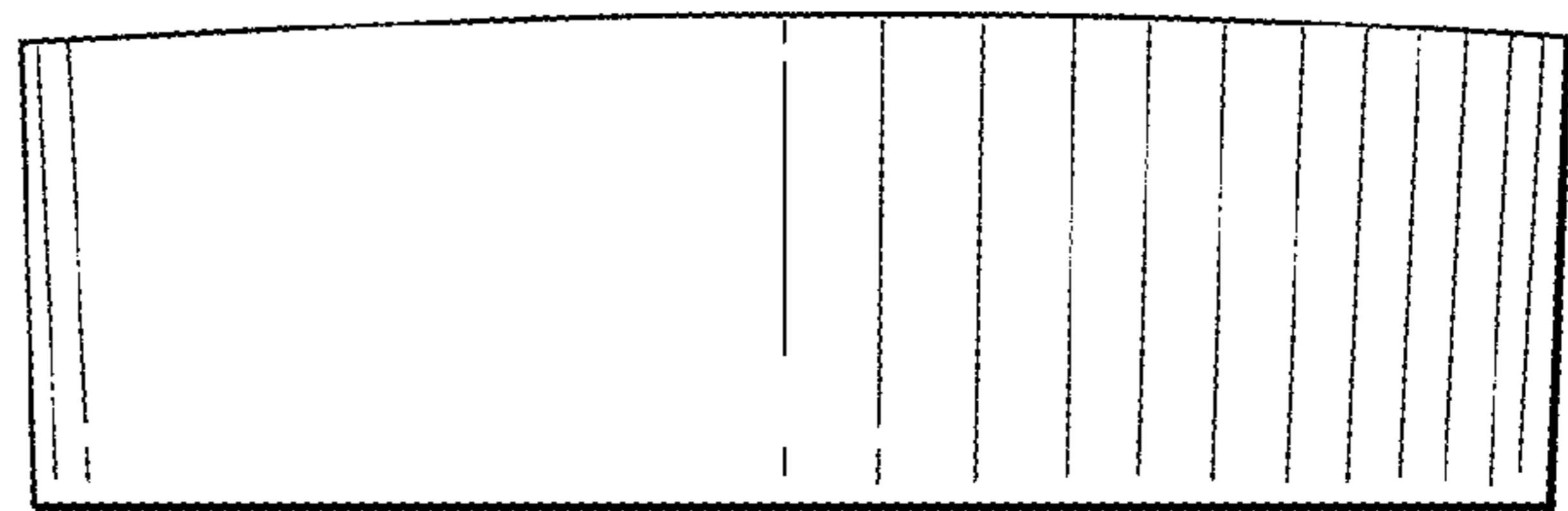
- (56) **References Cited**  
U.S. PATENT DOCUMENTS  
2,982,148 A \* 5/1961 Jackson ..... F16K 37/0008  
251/286  
4,194,412 A \* 3/1980 Boyer ..... F16D 43/04  
192/114 R



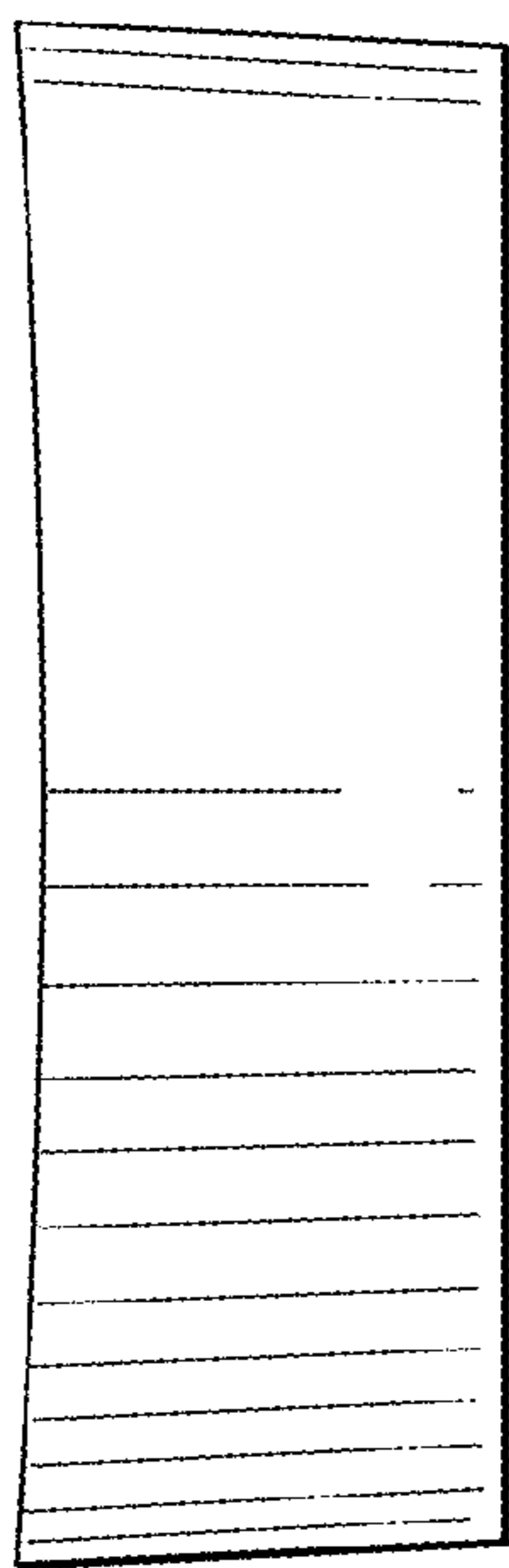
**Fig. 1**



**Fig. 3**



**Fig. 4**



**Fig. 2**

