



US00D786651S

(12) **United States Design Patent** (10) **Patent No.:** **US D786,651 S**
Shoemaker et al. (45) **Date of Patent:** **** May 16, 2017**

(54) **OVEN KNOB**

(56) **References Cited**

(71) Applicant: **Sears Brands, L.L.C.**, Hoffman Estates, IL (US)
(72) Inventors: **Anthony Shoemaker**, Bartlett, IL (US); **Jason Silverstein**, Hoffman Estates, IL (US); **Daniel Green**, Charlotte, NC (US); **Roddy Burgess**, Charlotte, NC (US)
(73) Assignee: **SEARS BRANDS, L.L.C.**, Hoffman Estates, IL (US)
(**) Term: **15 Years**
(21) Appl. No.: **29/569,849**
(22) Filed: **Jun. 30, 2016**

U.S. PATENT DOCUMENTS

D166,874 S	5/1952	Reed	
D203,991 S *	3/1966	Rosen	D10/103
3,301,212 A	1/1967	Foster et al.	
D207,489 S	4/1967	Collins	
D208,918 S	10/1967	Dole	
D225,204 S	11/1972	Kendrick	
D400,778 S	11/1998	Holbrook, Jr.	
D438,846 S *	3/2001	Bonn	D13/174
D510,515 S	10/2005	Miller	
D525,518 S	7/2006	Baldwin	
7,171,727 B2	2/2007	Wylie et al.	
D543,828 S	6/2007	Strutin-Belinoff et al.	
D559,206 S	1/2008	Neveu	
D563,757 S	3/2008	Cruver, IV et al.	
D567,060 S	4/2008	Busalt et al.	
D587,556 S *	3/2009	Marks	D8/300
D612,704 S	3/2010	Funnell et al.	
D612,705 S	3/2010	Baker et al.	
D634,156 S	3/2011	Fuller et al.	

(Continued)

Related U.S. Application Data

(63) Continuation of application No. 29/528,350, filed on May 28, 2015, now abandoned.
(51) **LOC (10) Cl.** **08-06**
(52) **U.S. Cl.**
USPC **D8/311**
(58) **Field of Classification Search**
USPC D8/107, 300, 301, 307, 310, 311, 312; D10/102; D23/250, 421; 74/553, 554, 74/555, 556, 558, 543; D7/393, 394, D7/396, 543, 545, 547, 548; 16/110.1, 16/422, 426, 430, 443
CPC ... Y10T 292/57; Y10T 292/82; Y10T 16/469; Y10T 16/44; Y10T 16/476; Y10T 74/2084; Y10T 292/85; Y10T 74/2087; Y10T 16/4713; Y10T 16/506; Y10T 74/20876; Y10T 74/20612; Y10T 70/5765; Y10T 16/459; Y10T 74/2066; Y10T 16/487; Y10T 74/20822

See application file for complete search history.

Primary Examiner — Derrick Holland

Assistant Examiner — Lauren Calve

(74) *Attorney, Agent, or Firm* — McAndrews, Held & Malloy, Ltd.

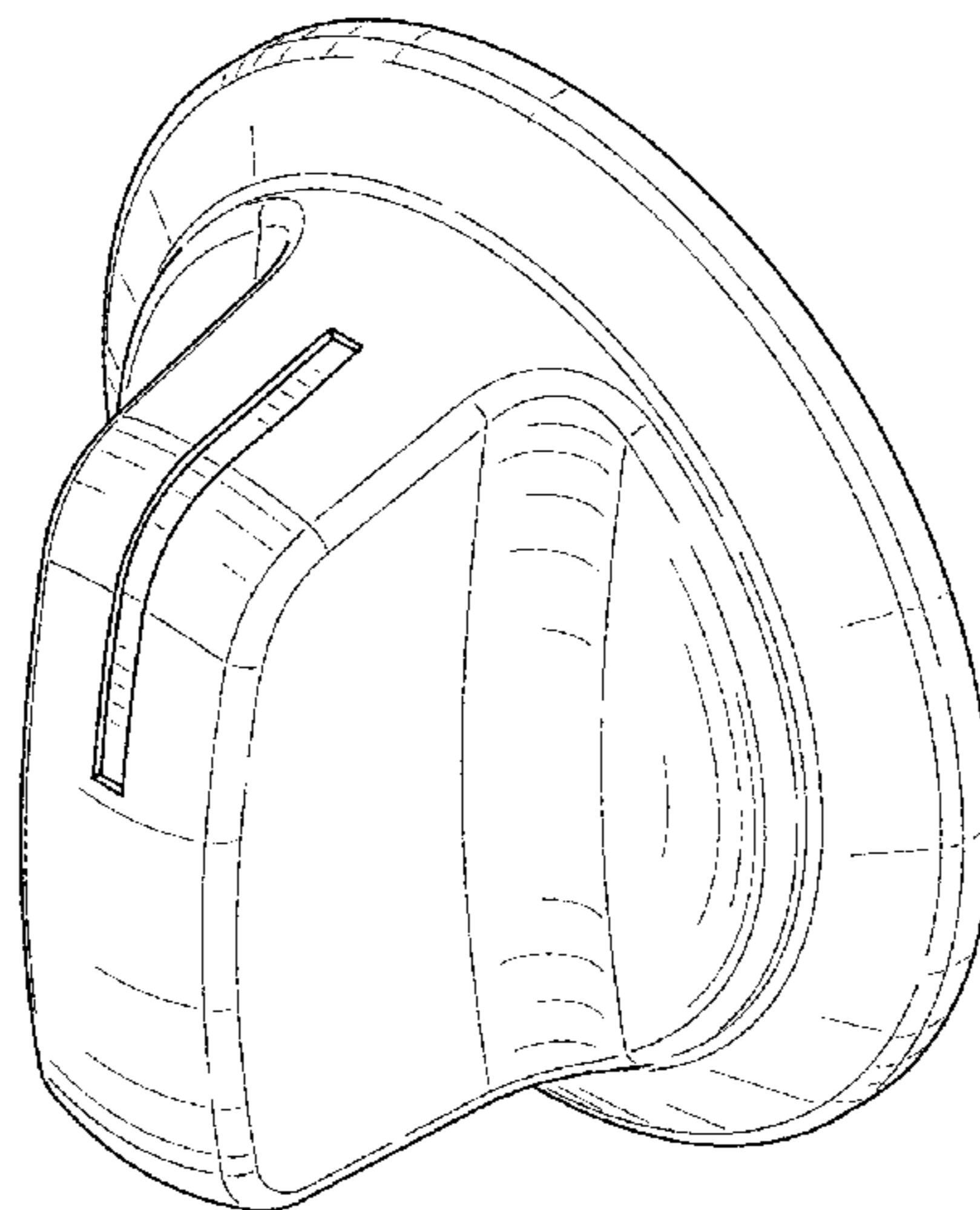
(57) **CLAIM**

The ornamental design for an oven knob, as shown and described.

DESCRIPTION

FIG. 1 is a top right front perspective view of an oven knob showing our new design;
FIG. 2 is a front view thereof;
FIG. 3 is a right-side elevation view thereof;
FIG. 4 is a left-side elevation view thereof;
FIG. 5 is a top plan view thereof; and,
FIG. 6 is a bottom plan view thereof.

1 Claim, 4 Drawing Sheets



(56)

References Cited

U.S. PATENT DOCUMENTS

D634,602	S	3/2011	Bengtson	
D637,886	S	5/2011	Bengtson	
D642,042	S	7/2011	Kim et al.	
D703,998	S	5/2014	Funnell, II et al.	
D704,028	S	5/2014	Meda et al.	
D710,673	S	8/2014	Boo et al.	
D715,126	S	10/2014	Kim et al.	
D722,815	S	2/2015	Fuller et al.	
D726,524	S	4/2015	Börjesson	
D762,593	S *	8/2016	Oneufer	D13/174
D766,697	S *	9/2016	Vergin	D8/311
D766,698	S *	9/2016	Vergin	D8/311
9,484,163	B2 *	11/2016	Oneufer	H01H 9/223
D773,917	S *	12/2016	Shoemaker	D8/311
2010/0294632	A1 *	11/2010	Reddering	G05G 1/08 200/11 R
2014/0260775	A1	9/2014	Freeman et al.	
2015/0370283	A1	12/2015	Lawson	

* cited by examiner

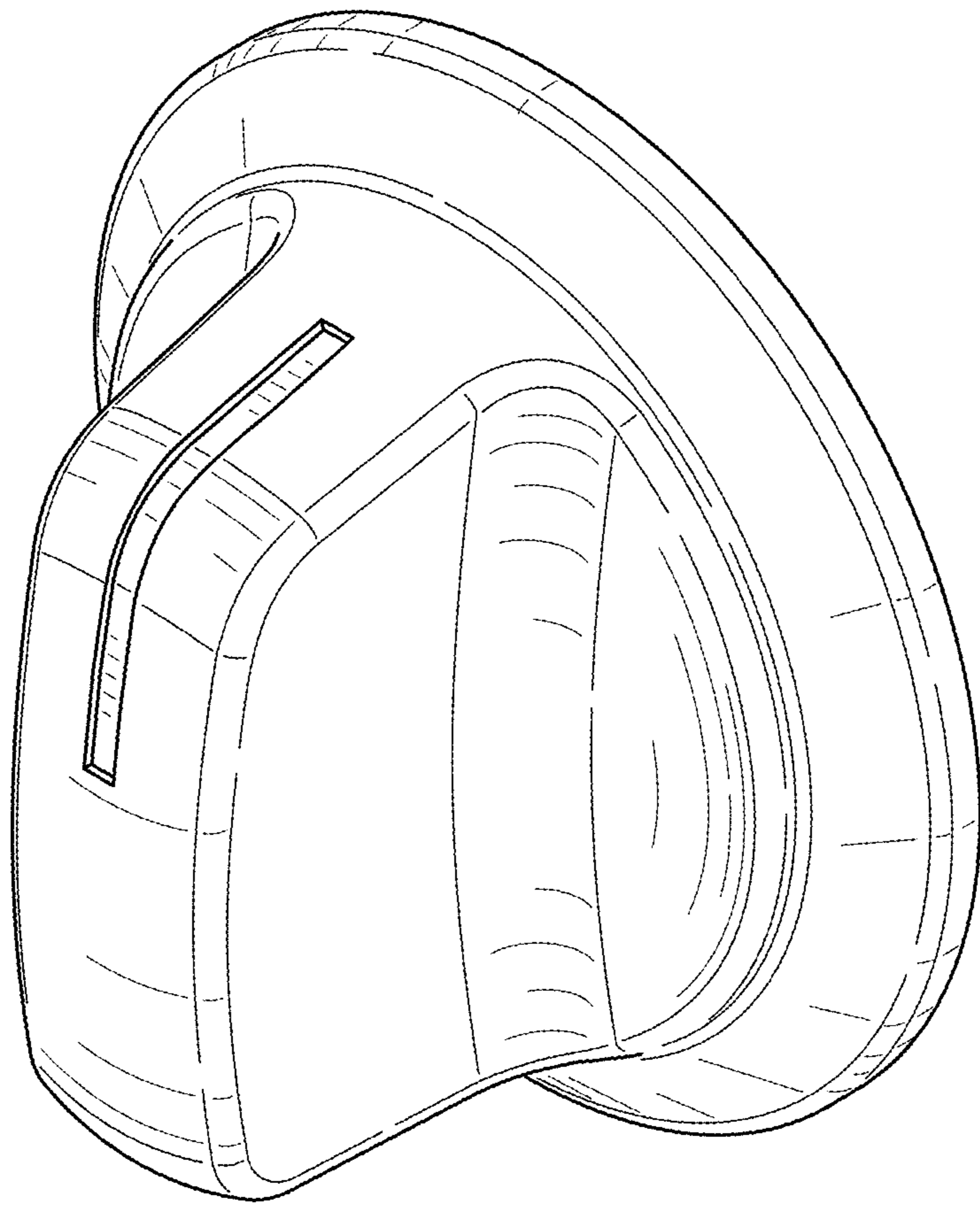


FIG. 1

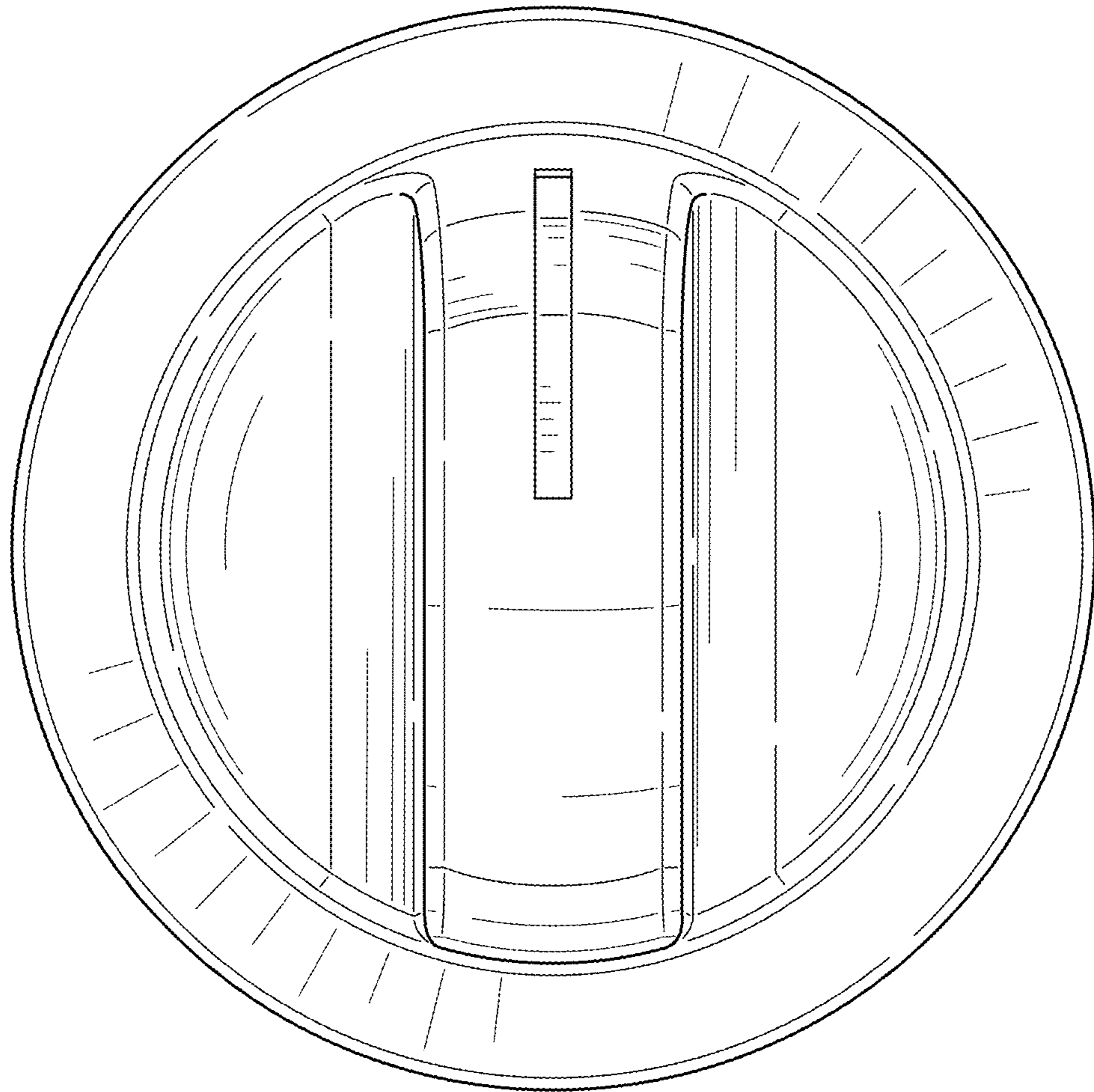


FIG. 2

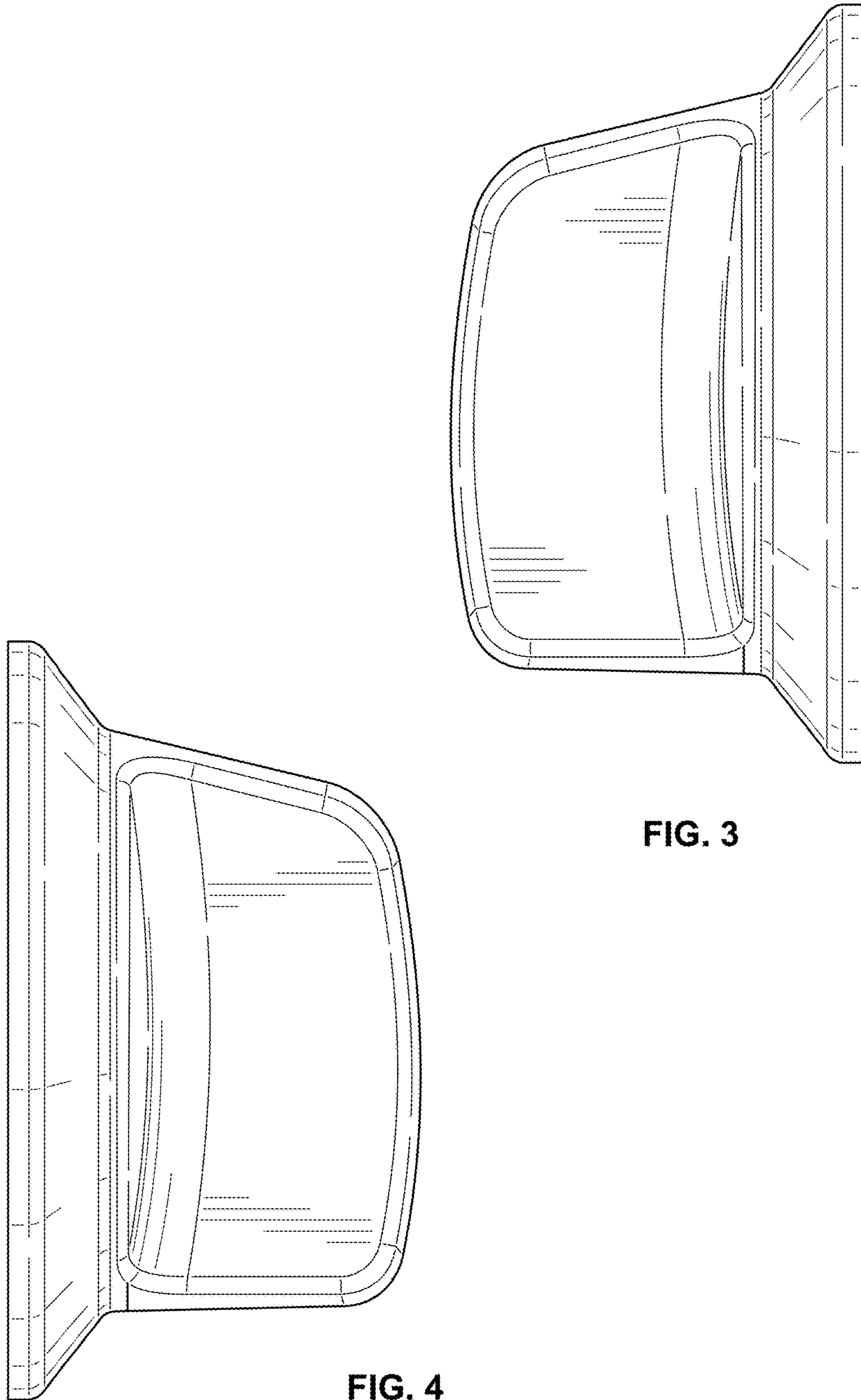


FIG. 3

FIG. 4

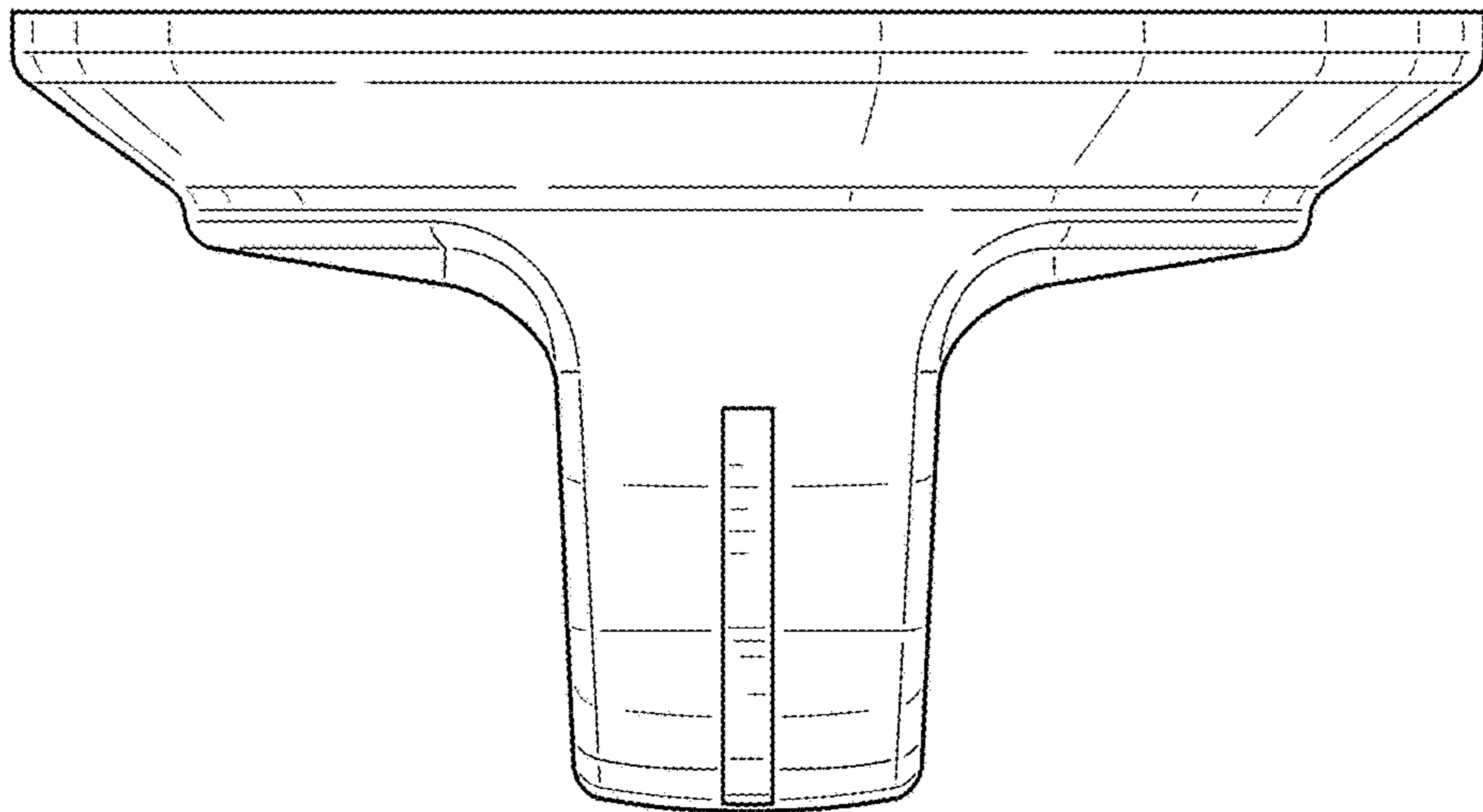


FIG. 5

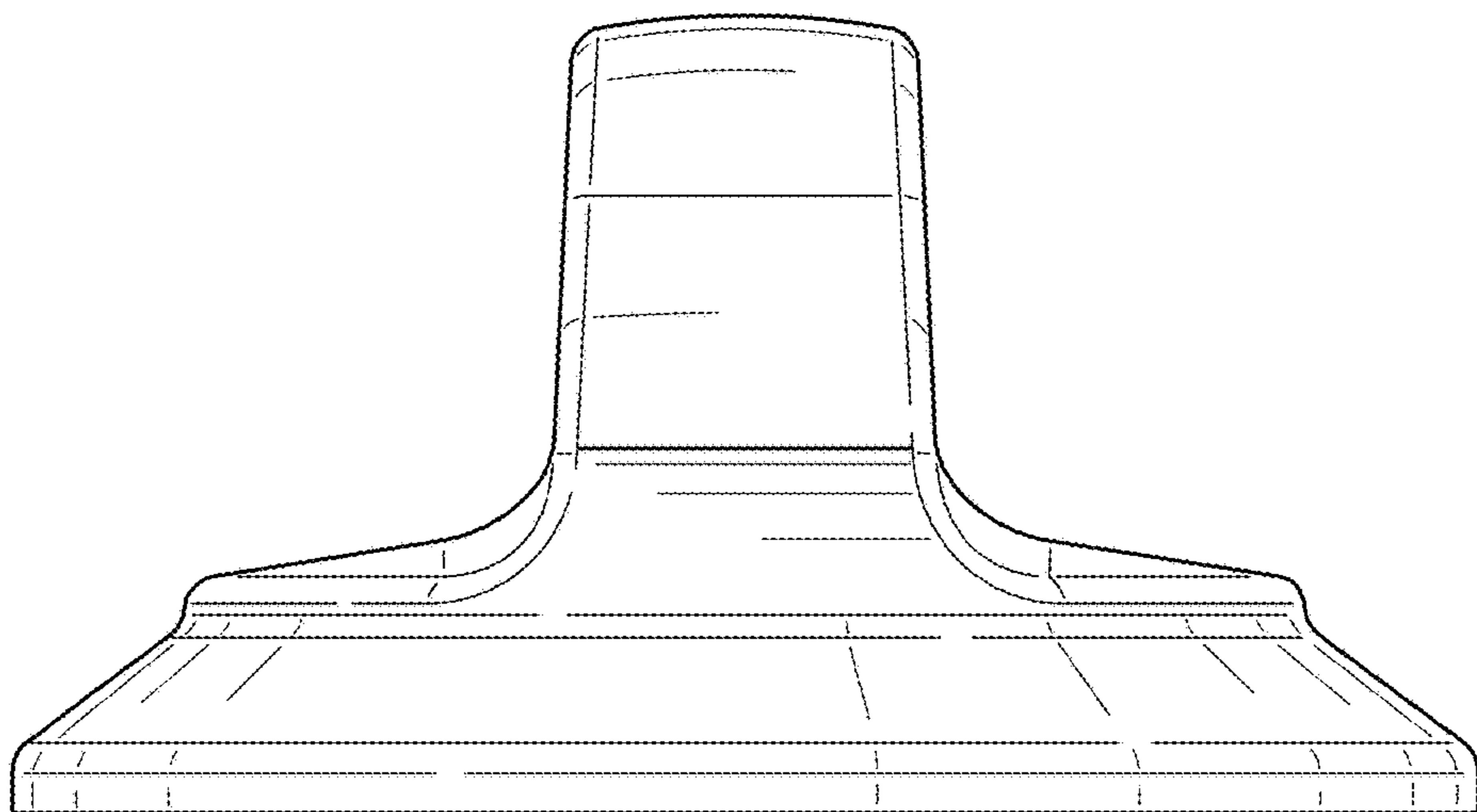


FIG. 6