



US00D786650S

(12) **United States Design Patent** (10) **Patent No.:** **US D786,650 S**
Lira-Nunez et al. (45) **Date of Patent:** **** *May 16, 2017**

- (54) **KNOB FOR A GAS APPLIANCE**
- (71) Applicants: **Carmen O. Lira-Nunez**, Downers Grove, IL (US); **Mark Richard Pavel**, Lisle, IL (US)
- (72) Inventors: **Carmen O. Lira-Nunez**, Downers Grove, IL (US); **Mark Richard Pavel**, Lisle, IL (US)
- (73) Assignee: **Weber-Stephen Products LLC**, Palatine, IL (US)

- D202,273 S * 9/1965 Brendgord D8/311
- D203,991 S * 3/1966 Rosen D10/103
- D209,144 S * 11/1967 Hampel D8/311
- D493,090 S * 7/2004 Chen D8/310
- D525,517 S * 7/2006 Baldwin D8/310
- D569,219 S * 5/2008 Sjogren D8/310
- D619,873 S * 7/2010 Bhattacharya D8/311
- D619,874 S * 7/2010 Bhattacharya D8/311
- D620,778 S * 8/2010 Bixby D8/311
- 7,834,865 B2 * 11/2010 Jannasch G05G 1/10
200/564
- D644,912 S * 9/2011 Benold D8/311
(Continued)

- (*) Notice: This patent is subject to a terminal disclaimer.
- (**) Term: **15 Years**

Primary Examiner — Derrick Holland
Assistant Examiner — Lauren Calve
 (74) *Attorney, Agent, or Firm* — Vitale Vickrey Niro & Gasey

- (21) Appl. No.: **29/550,420**
- (22) Filed: **Jan. 4, 2016**
- (51) **LOC (10) Cl.** **08-06**
- (52) **U.S. Cl.**
USPC **D8/311**
- (58) **Field of Classification Search**
USPC D8/107, 300, 301, 307, 310, 311, 312;
D23/250, 421; 74/553, 554, 555, 556,
74/558, 543; D7/393, 394, 396, 402,
D7/406, 543, 545, 547, 548; 16/110.1,
16/422, 426, 430, 443
CPC ... Y10T 292/57; Y10T 292/82; Y10T 16/469;
Y10T 16/44; Y10T 16/476; Y10T
74/2084; Y10T 292/85; Y10T 74/2087;
Y10T 16/4713; Y10T 16/506; Y10T
74/20876; Y10T 74/20612; Y10T
70/5765; Y10T 16/459; Y10T 74/2066;
Y10T 16/487; Y10T 74/20822
See application file for complete search history.

(57) **CLAIM**

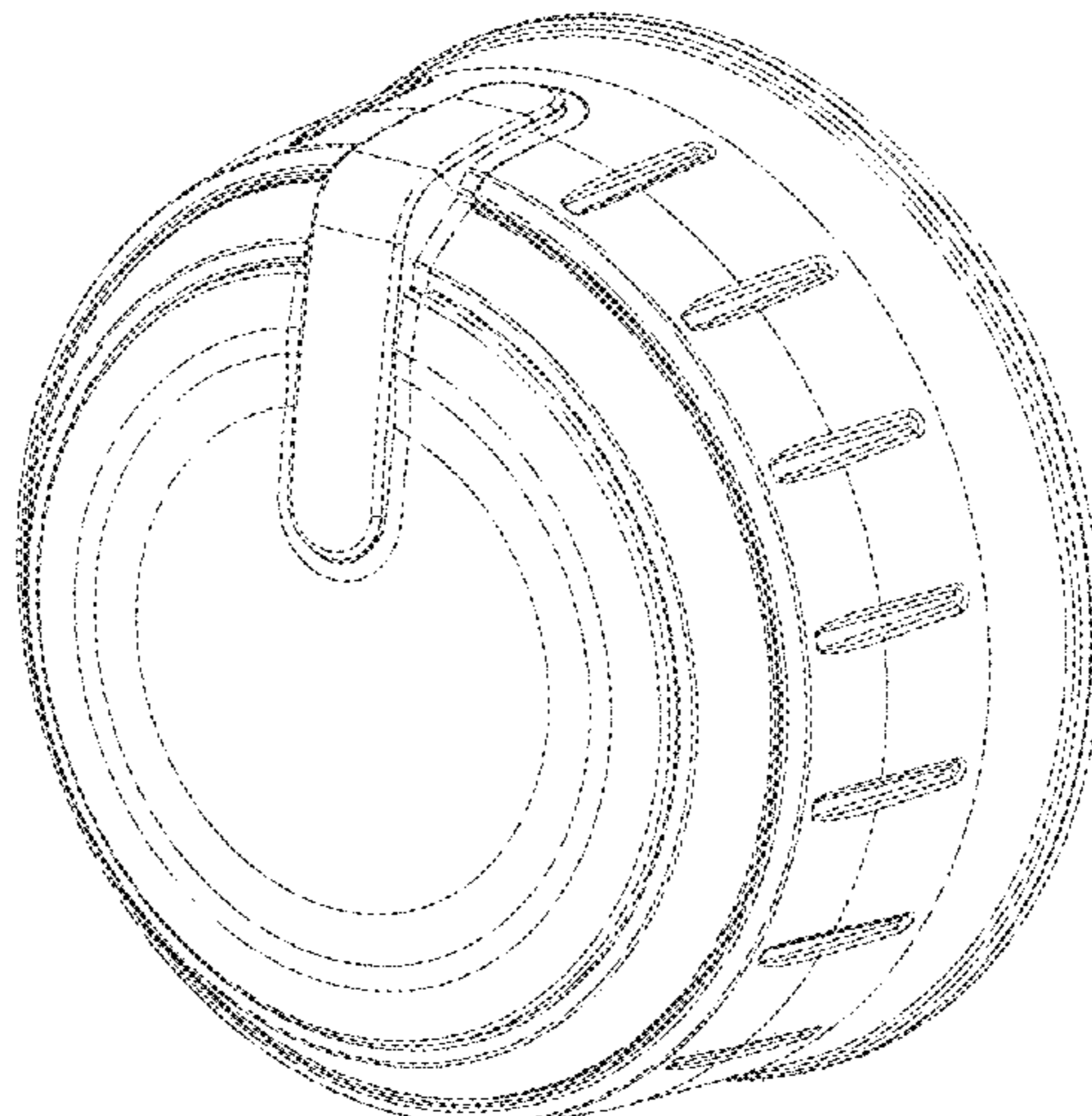
The ornamental design for a knob for a gas appliance, as shown and described.

DESCRIPTION

FIG. 1 is a perspective view of a knob for a gas appliance of the present invention;
 FIG. 2 is a top plan view thereof;
 FIG. 3 is a front view thereof;
 FIG. 4 is a left side view thereof;
 FIG. 5 is a right side view thereof;
 FIG. 6 is a bottom plan view thereof;
 FIG. 7 is a perspective view of a knob for a gas appliance according to a second embodiment;
 FIG. 8 is a top plan view thereof;
 FIG. 9 is a front view thereof;
 FIG. 10 is a left side view thereof;
 FIG. 11 is a right side view thereof; and,
 FIG. 12 is a bottom plan view thereof.
 The broken lines represent unclaimed subject matter and form no part of the claimed design.

1 Claim, 8 Drawing Sheets

- (56) **References Cited**
U.S. PATENT DOCUMENTS
D153,981 S * 5/1949 Reinecke D7/393
D202,272 S * 9/1965 Brendgord D8/311



(56)

References Cited

U.S. PATENT DOCUMENTS

D696,068 S * 12/2013 Baacke D7/402
8,733,204 B2 * 5/2014 Voss A47J 37/0786
74/553
2014/0013897 A1 * 1/2014 Clauss G05G 1/10
74/553
2014/0047943 A1 * 2/2014 Camli G05G 1/08
74/553

* cited by examiner

Fig. 1

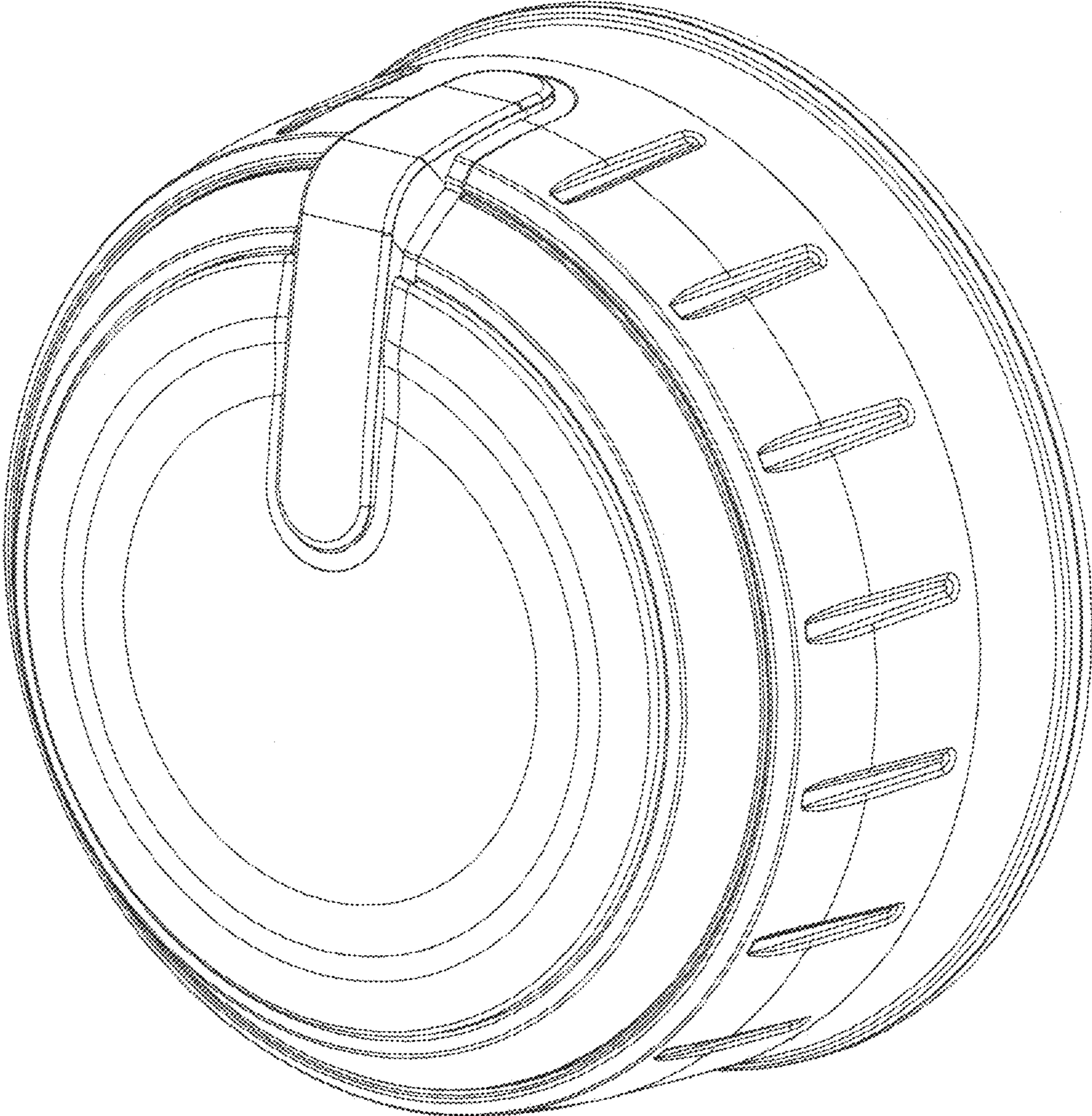


Fig. 2

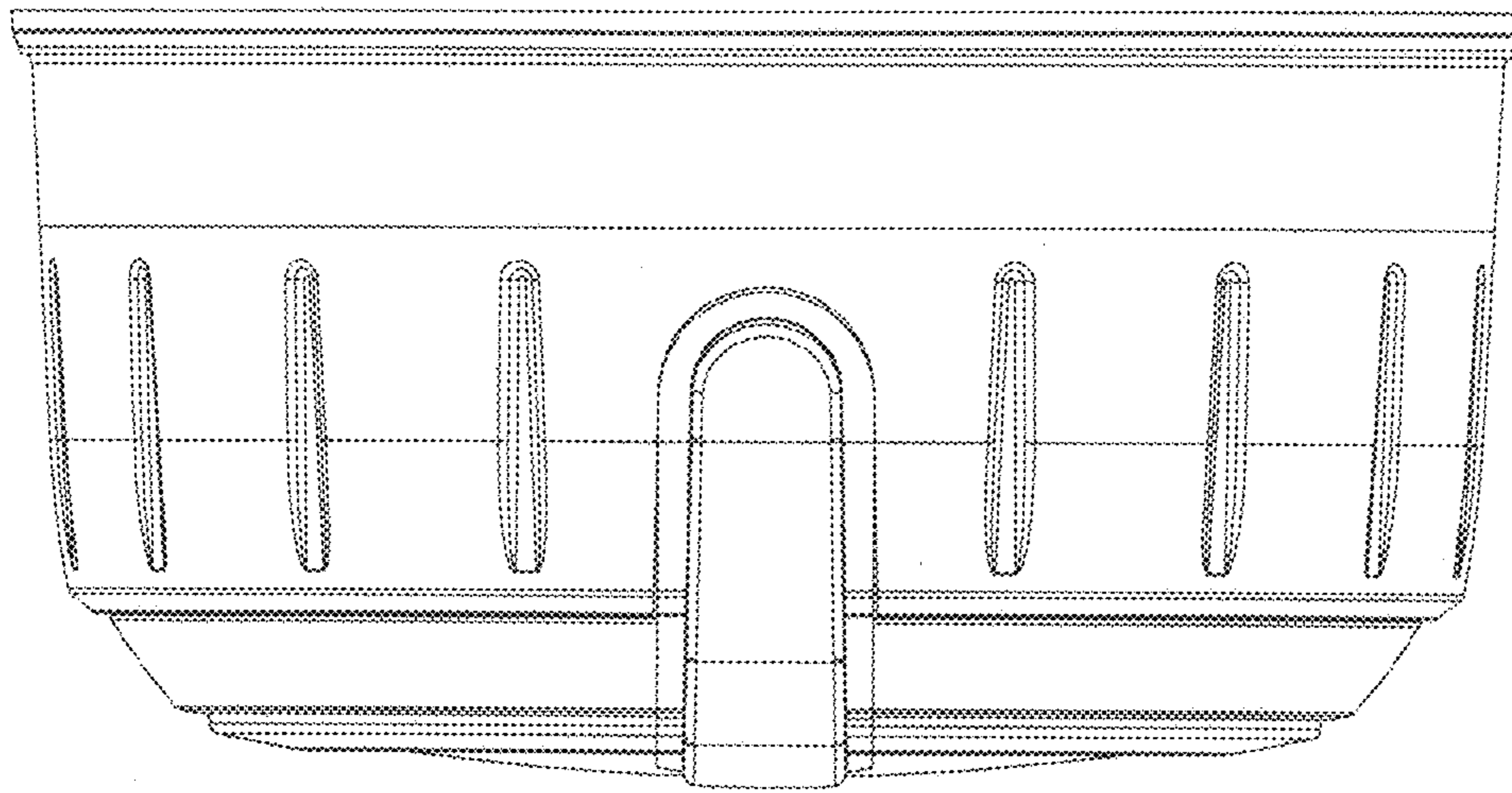


Fig. 3

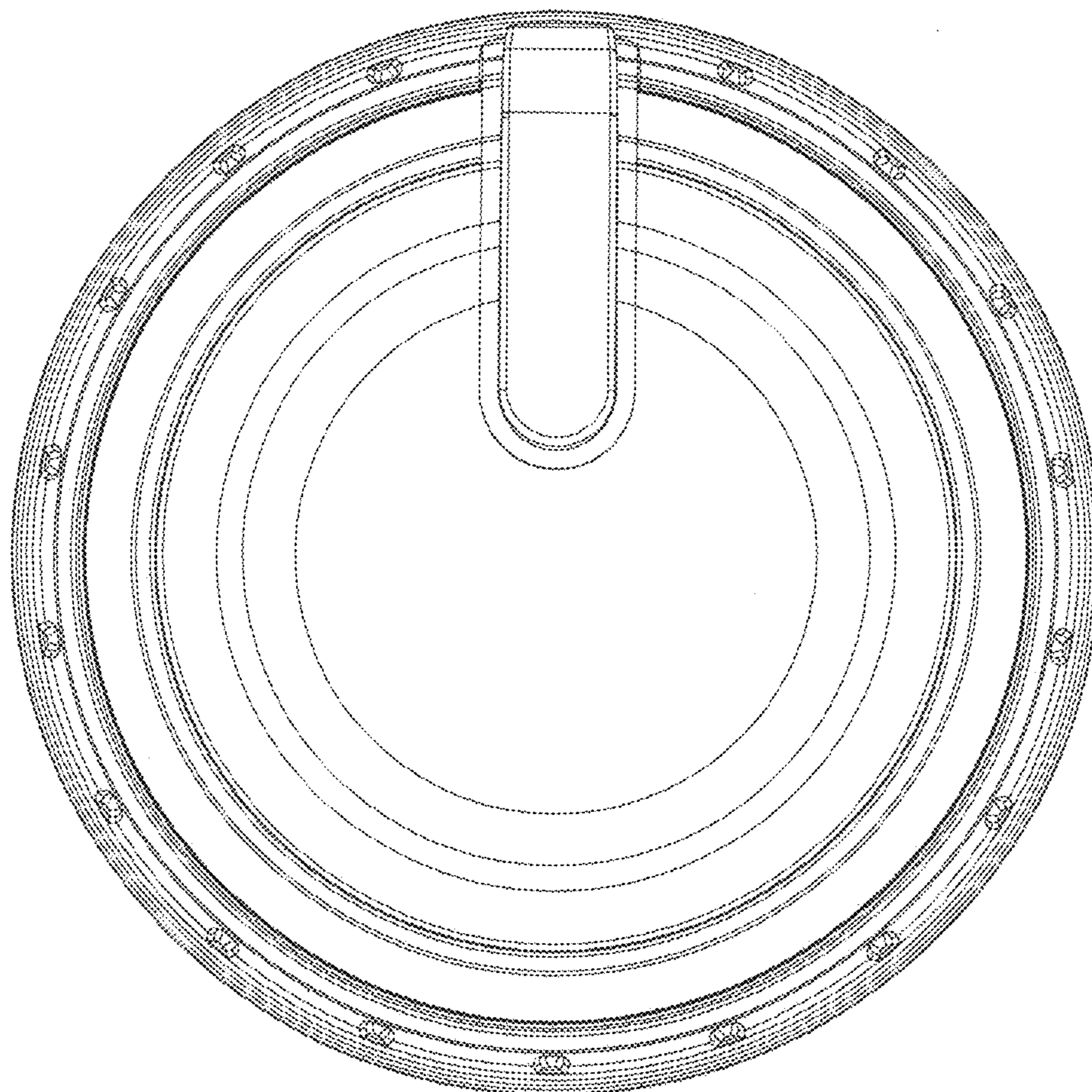


Fig. 4

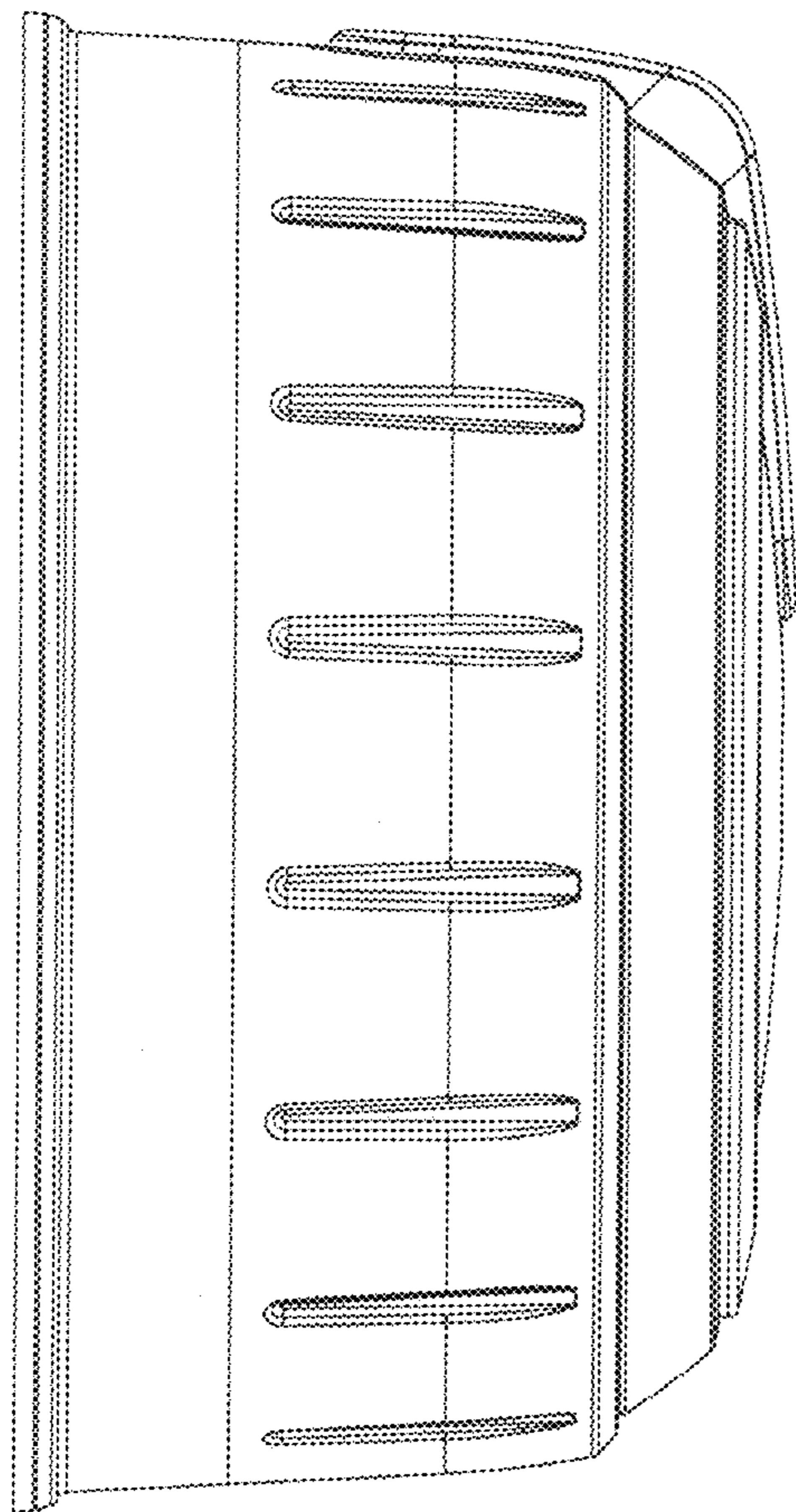


Fig. 5

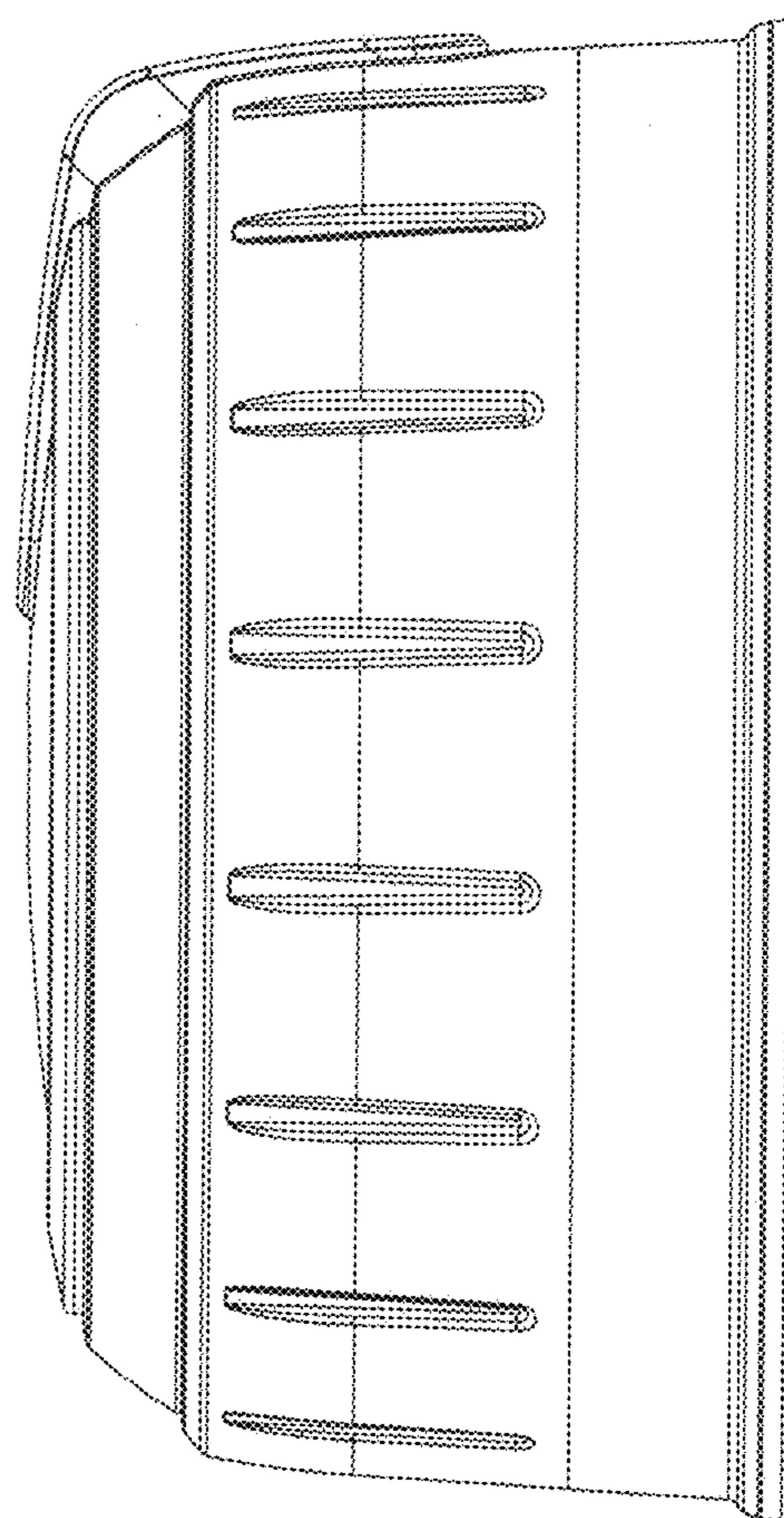


Fig. 6

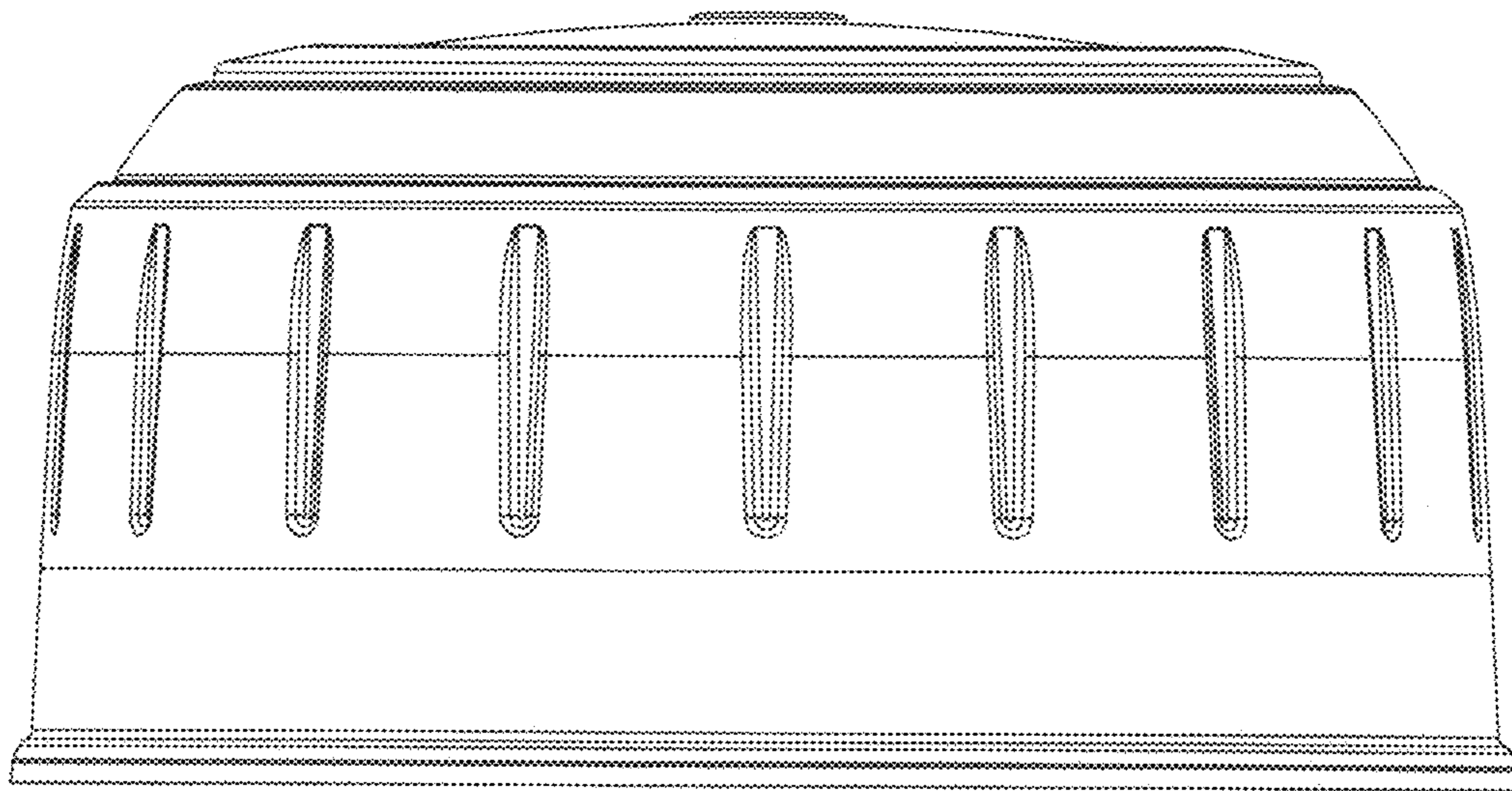


Fig. 7

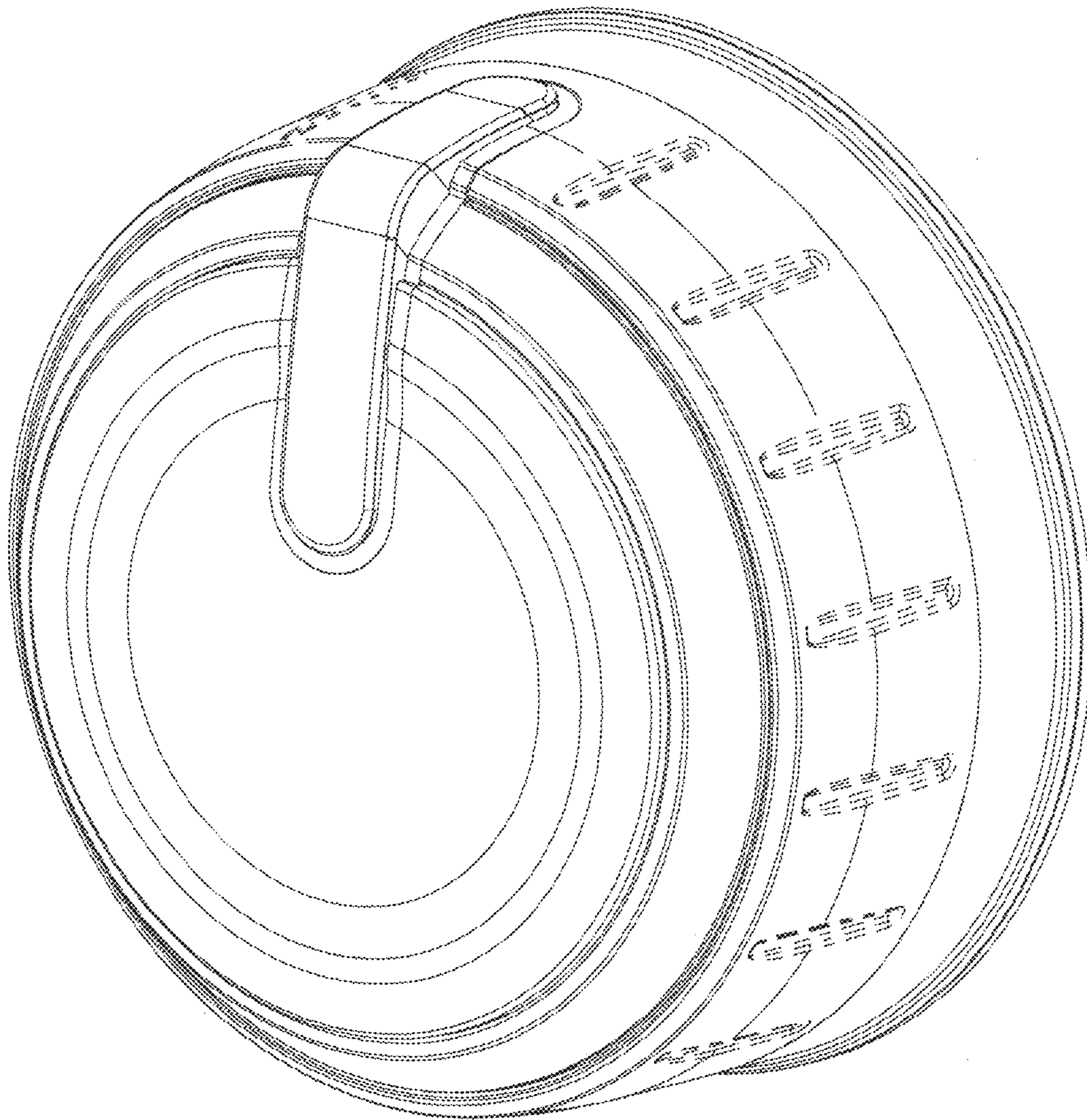


Fig. 8

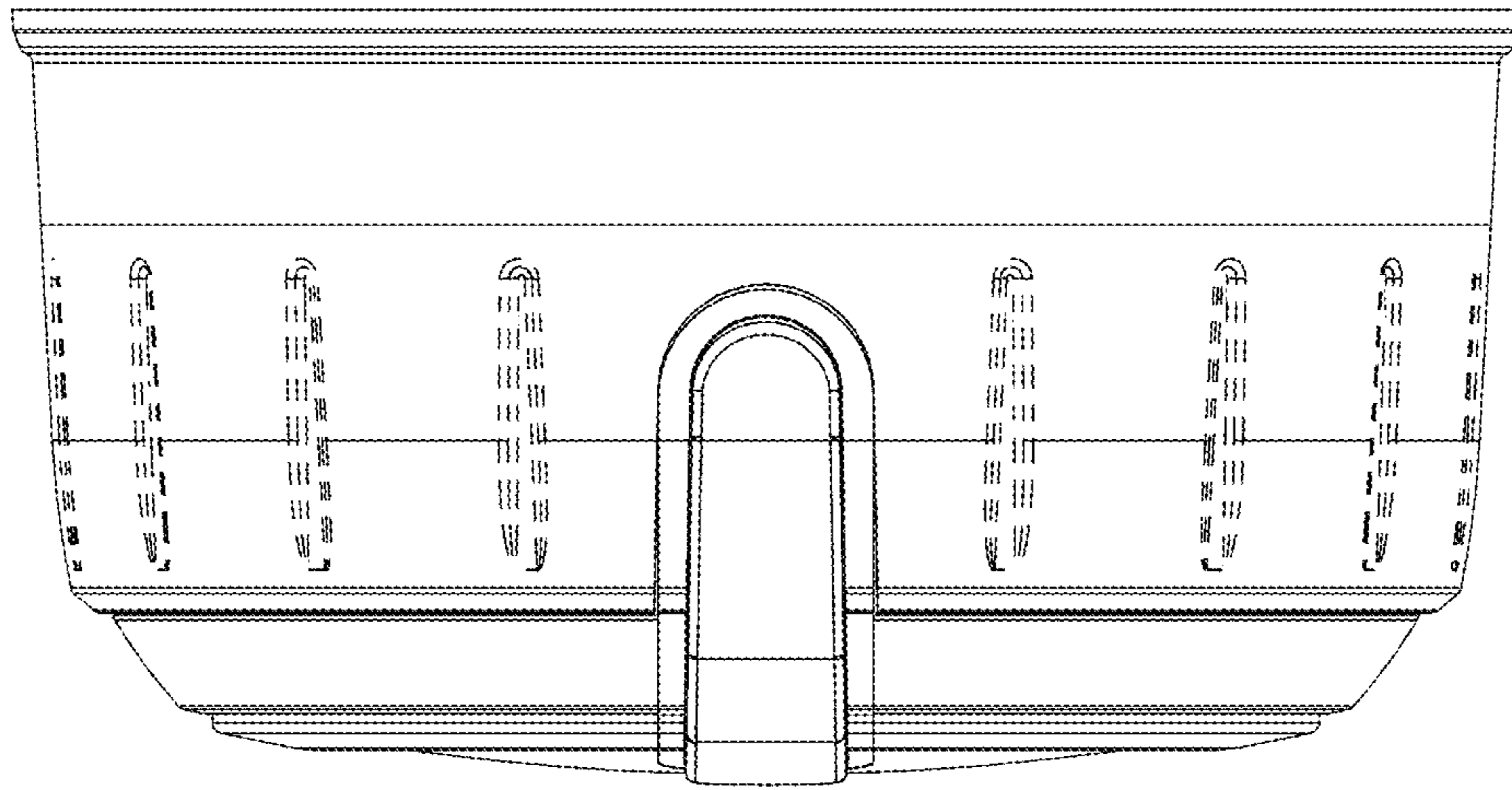


Fig. 9

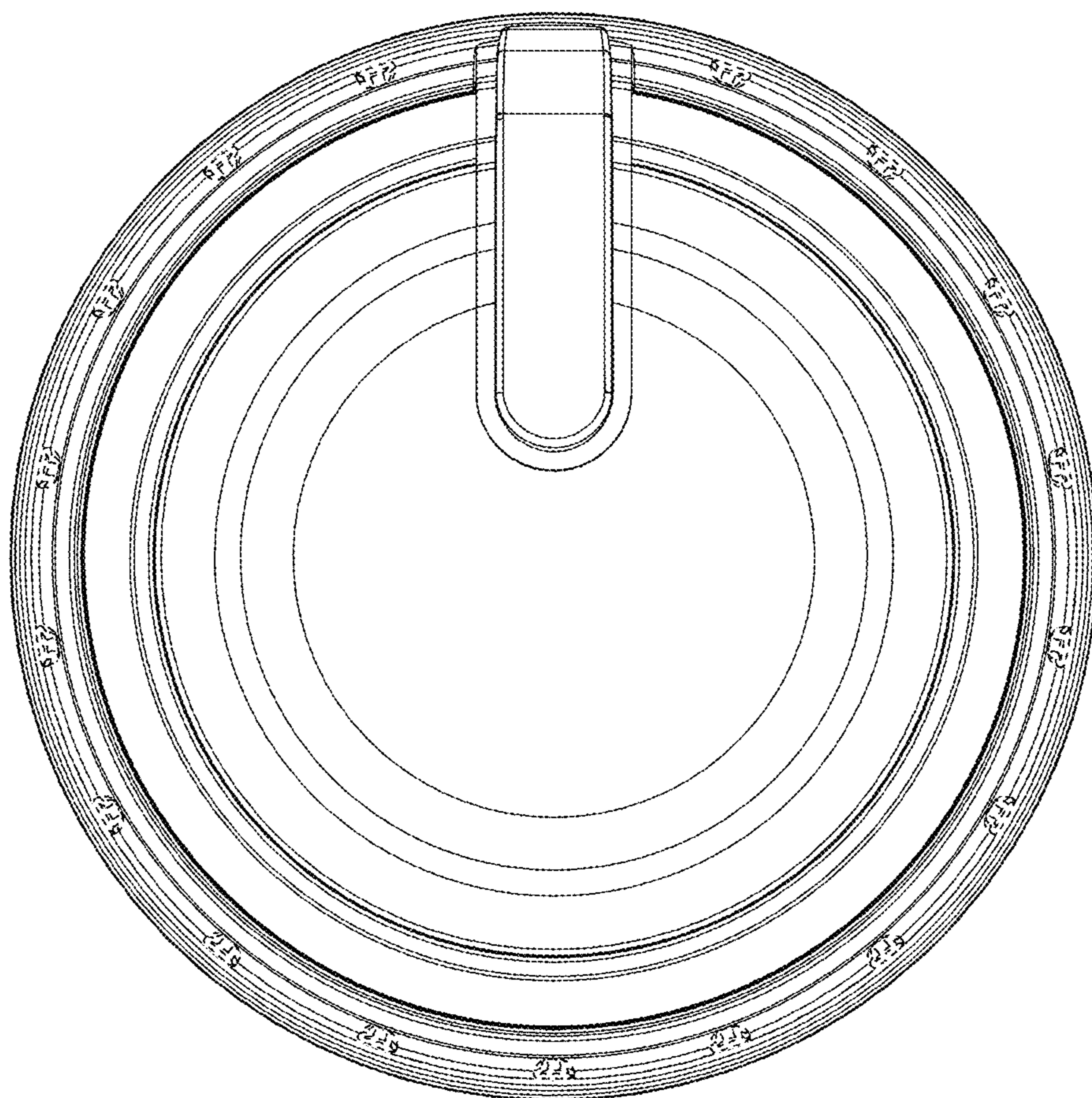


Fig. 10

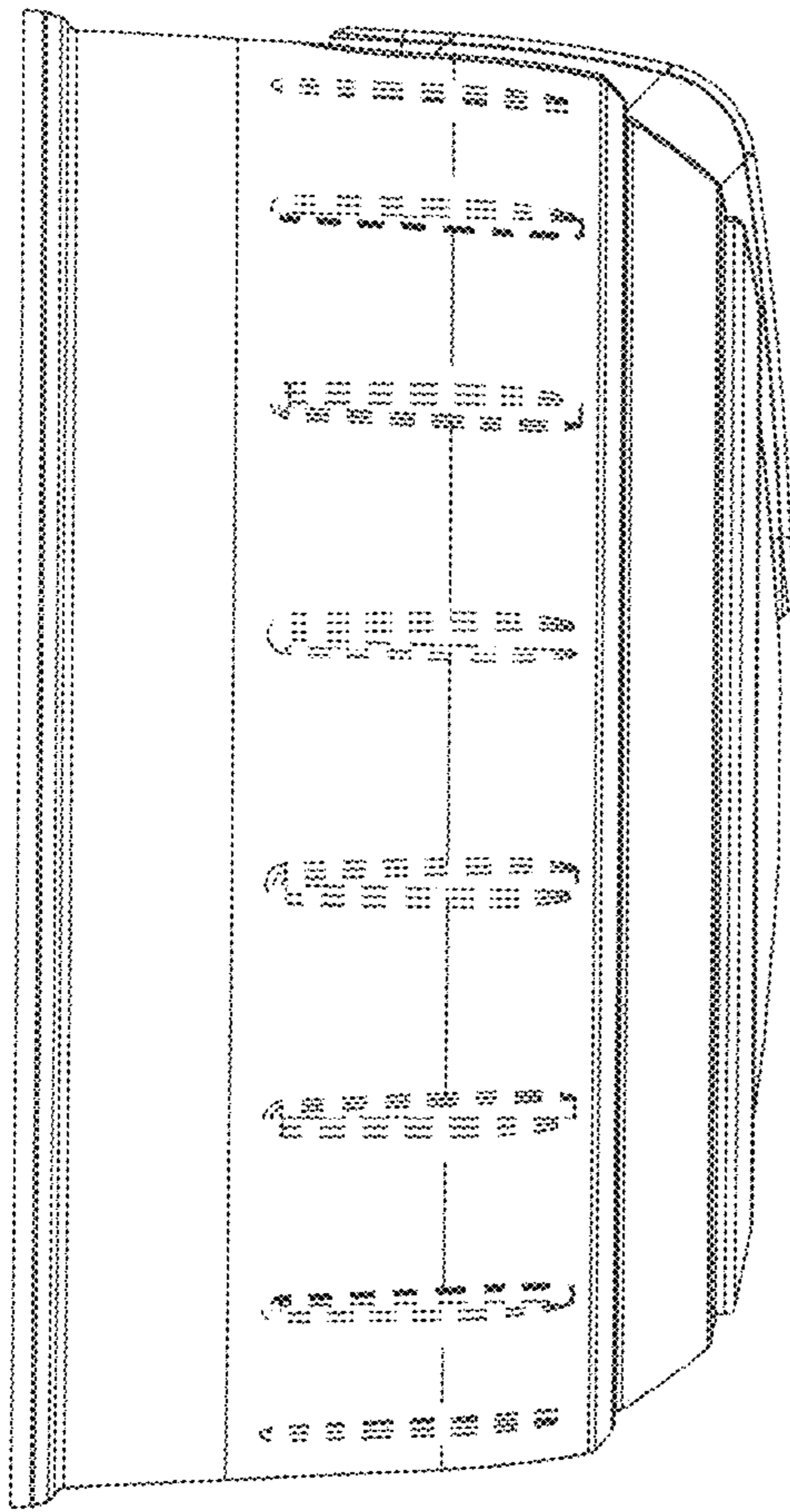


Fig. 11

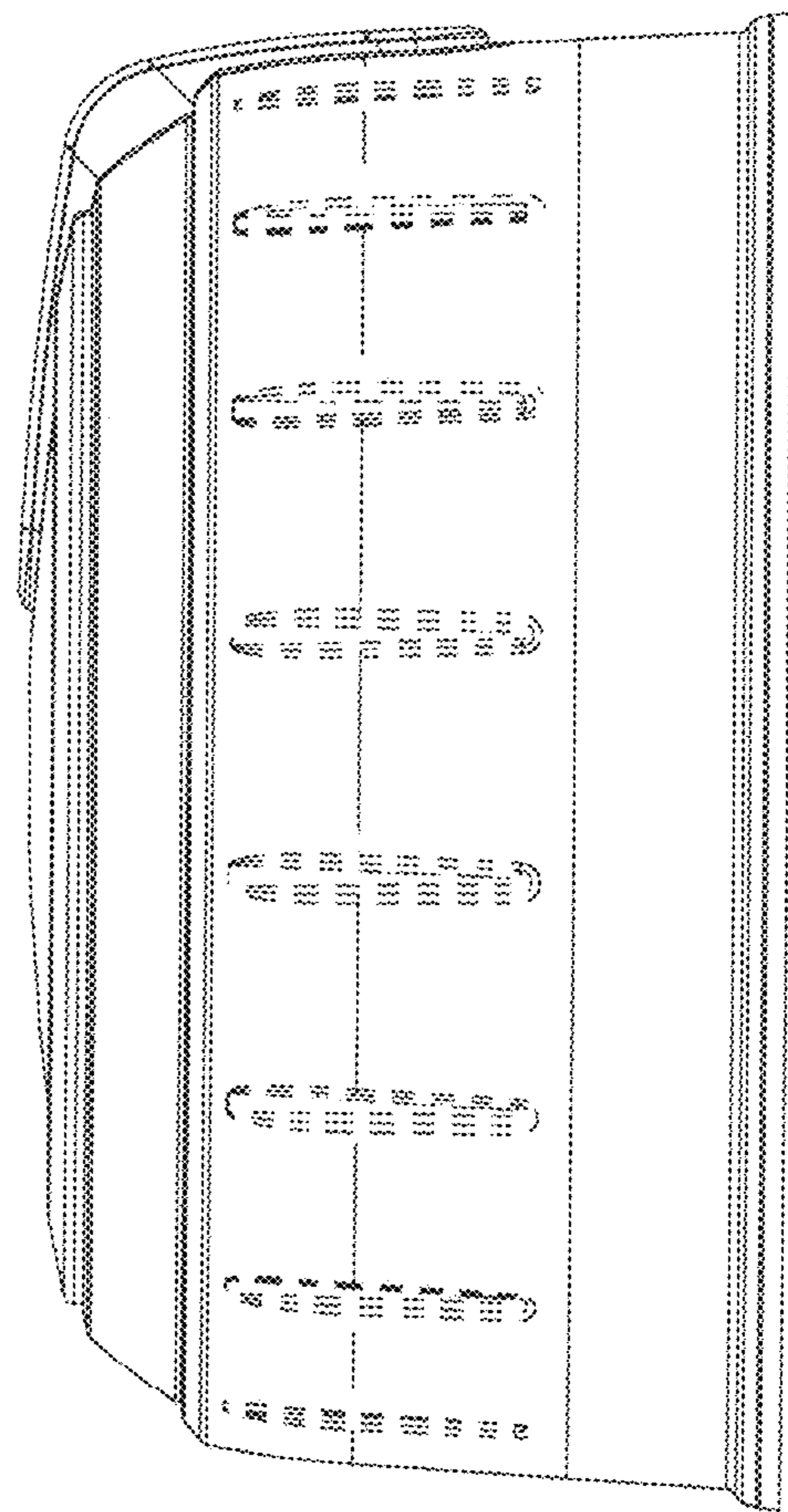


Fig. 12

