



US00D786649S

(12) **United States Design Patent**  
**Huang et al.**

(10) **Patent No.:** **US D786,649 S**

(45) **Date of Patent:** **\*\* May 16, 2017**

(54) **SELECTOR LEVER**

(71) Applicants: **George Huang**, Henderson, NV (US);  
**Roger Wang**, Malibu, CA (US)

(72) Inventors: **George Huang**, Henderson, NV (US);  
**Roger Wang**, Malibu, CA (US)

(\*\*) Term: **14 Years**

(21) Appl. No.: **29/491,527**

(22) Filed: **May 22, 2014**

**Related U.S. Application Data**

(63) Continuation-in-part of application No. 13/068,287,  
filed on May 7, 2011, now Pat. No. 8,806,790.

(51) **LOC (10) Cl.** ..... **08-06**

(52) **U.S. Cl.**  
USPC ..... **D8/308**

(58) **Field of Classification Search**  
USPC ..... D8/107, 300-309, 321, 330, 331, 343,  
D8/346, 347, 349; D23/250-254, 264;  
16/110.1, 414, 417, 427, 430, 441, 426,  
16/443, DIG. 21, DIG. 40; D21/694;  
D34/10, 11; D7/393, 394, 548; 70/431,  
(Continued)

(56) **References Cited**

**U.S. PATENT DOCUMENTS**

D343,564 S \* 1/1994 Donofrio ..... D8/308  
D356,944 S \* 4/1995 Spaulding ..... D8/308  
(Continued)

*Primary Examiner* — Derrick Holland

*Assistant Examiner* — Lauren Calve

(74) *Attorney, Agent, or Firm* — Shaddock Law Group,  
PC

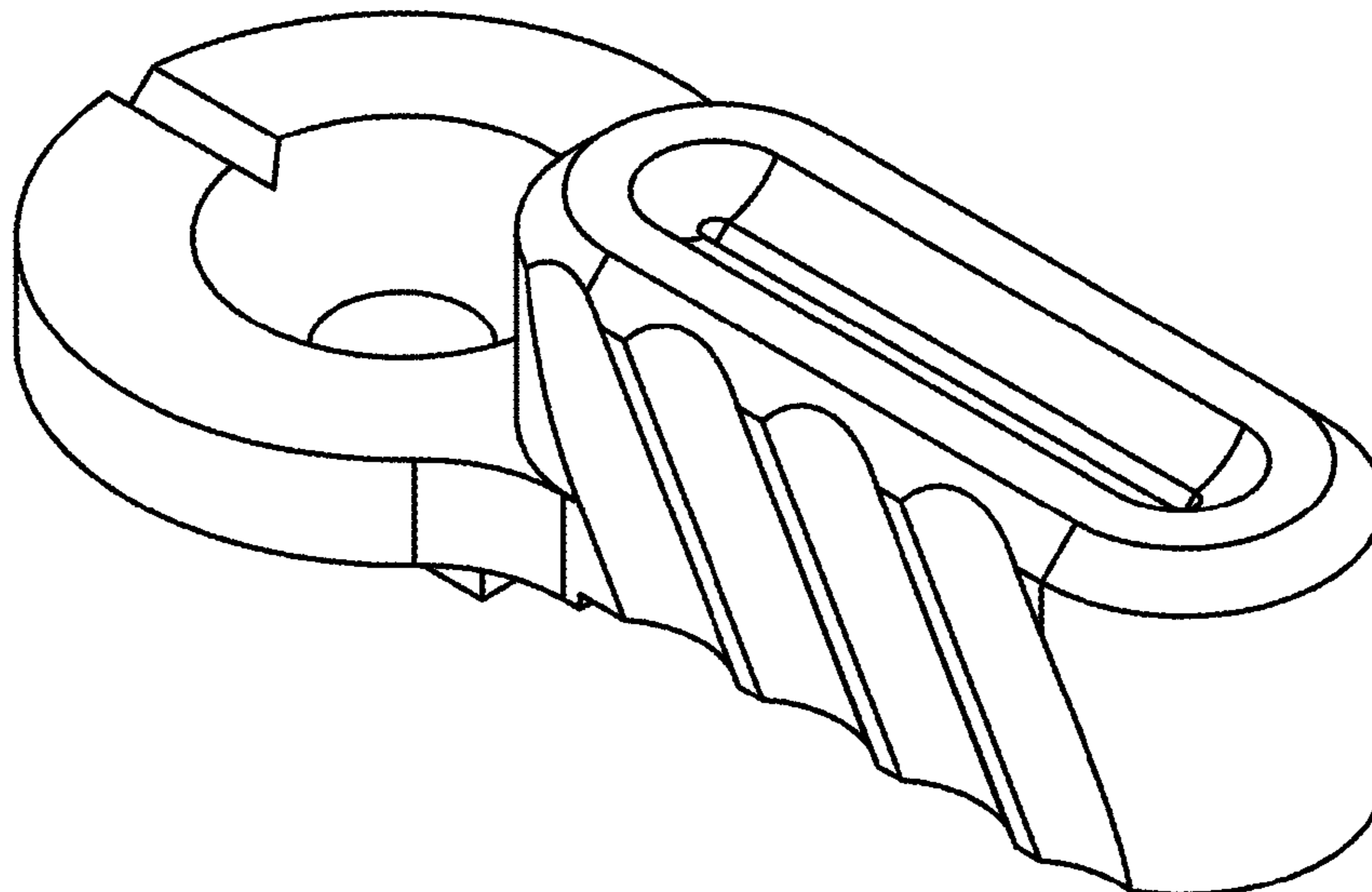
(57) **CLAIM**

The ornamental design for a selector lever, as shown and described.

**DESCRIPTION**

FIG. 1 is a rear perspective view of a selector lever according to a first embodiment showing our new design;  
FIG. 2 is a front perspective view thereof;  
FIG. 3 is a left side view thereof;  
FIG. 4 is a right side view thereof;  
FIG. 5 is a top view thereof;  
FIG. 6 is a bottom view thereof;  
FIG. 7 is a front view thereof;  
FIG. 8 is a rear view thereof;  
FIG. 9 is a rear perspective view of a selector lever according to a second embodiment;  
FIG. 10 is a front perspective view thereof;  
FIG. 11 is a left side view thereof;  
FIG. 12 is a right side view thereof;  
FIG. 13 is a top view thereof;  
FIG. 14 is a bottom view thereof;  
FIG. 15 is a front view thereof;  
FIG. 16 is a rear view thereof;  
FIG. 17 is a rear perspective view of a selector lever according to a third embodiment;  
FIG. 18 is a front perspective view thereof;  
FIG. 19 is a left side view thereof;  
FIG. 20 is a right side view thereof;  
FIG. 21 is a top view thereof;  
FIG. 22 is a bottom view thereof;  
FIG. 23 is a front view thereof;  
FIG. 24 is a rear view thereof;  
FIG. 25 is a rear perspective view of a selector lever according to a fourth embodiment;  
FIG. 26 is a front perspective view thereof;  
FIG. 27 is a left side view thereof;  
FIG. 28 is a right side view thereof;  
FIG. 29 is a top view thereof;  
FIG. 30 is a bottom view thereof;  
FIG. 31 is a front view thereof; and,  
FIG. 32 is a rear view thereof.

**1 Claim, 16 Drawing Sheets**



(58) **Field of Classification Search**

USPC .... 70/445, 453, 454, 451; 74/553, 554, 555,  
74/556, 558, 543; 292/336.3, 347, 348,  
292/349, 350

CPC . Y10T 16/476; Y10T 16/466; Y10T 16/4713;  
Y10T 16/469; Y10T 16/44; Y10T  
74/20828; Y10T 279/17982; Y10T  
29/49826; Y10T 74/20732; Y10T  
74/20864; Y10T 16/4559; Y10T 408/96;  
Y10T 279/17957; Y10T 16/459; Y10T  
407/1825; Y10T 74/2078; Y10T  
74/20822; Y10T 29/53; Y10T 29/537;  
B25G 1/102; B25G 1/00; B25G 1/10;  
B25G 3/00; Y10S 16/12; Y10S 16/19;  
Y10S 16/906; Y10S 56/18; B26B 3/00;  
B26B 5/00; B26B 13/20; B26B 1/10

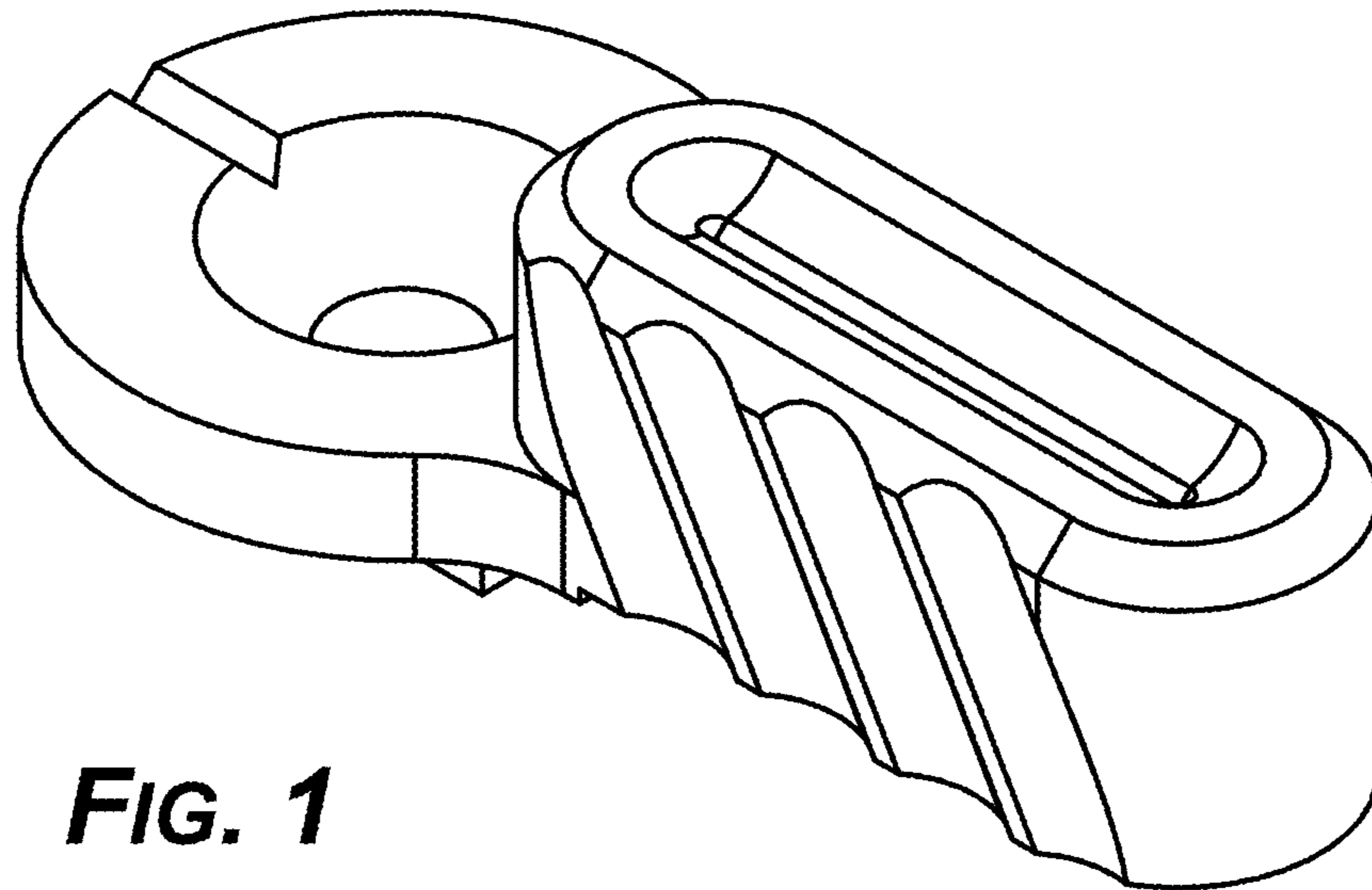
See application file for complete search history.

(56) **References Cited**

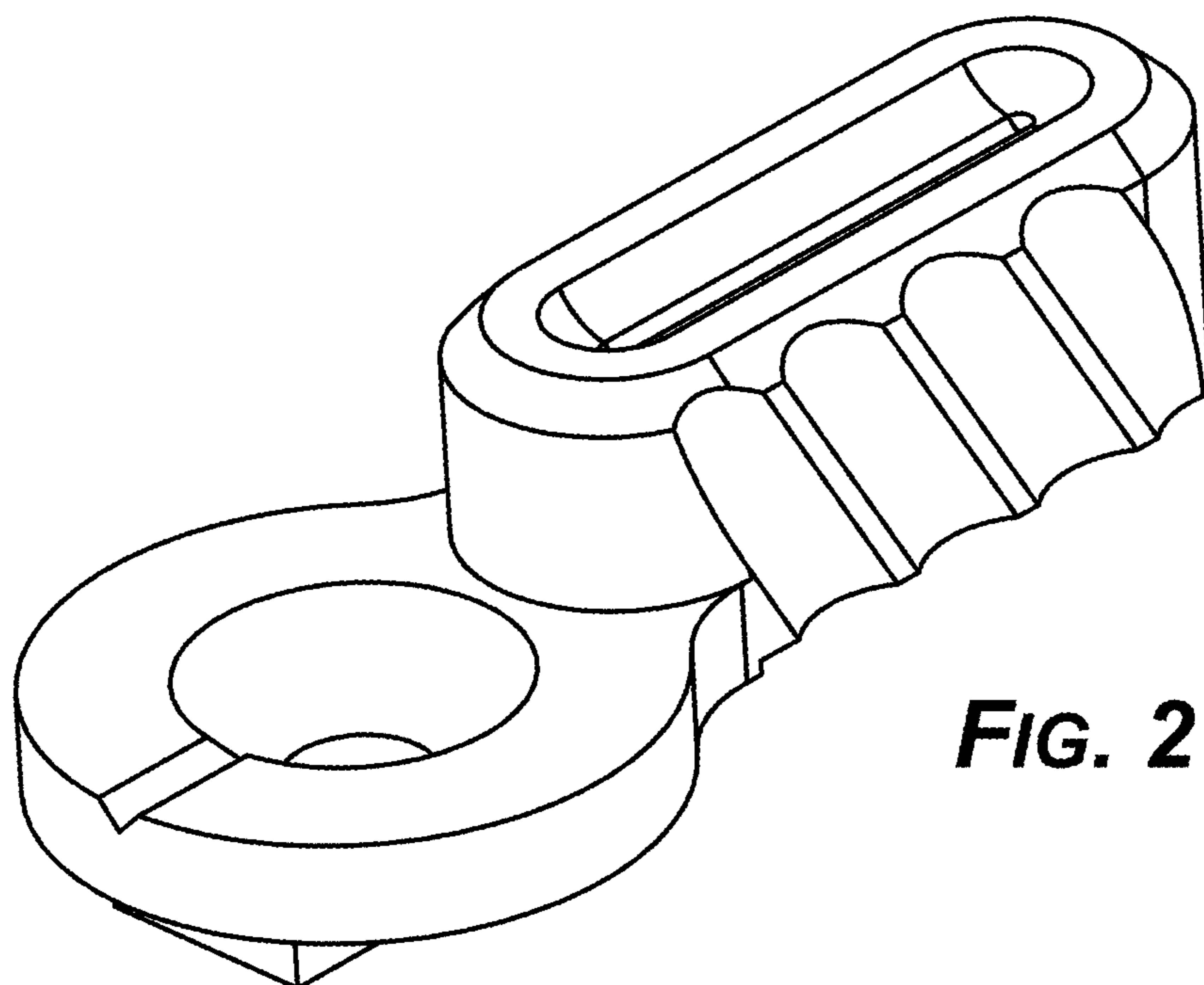
U.S. PATENT DOCUMENTS

D448,274 S \* 9/2001 Heinrich ..... D8/338  
D454,292 S \* 3/2002 Plummer ..... D8/331  
D456,237 S \* 4/2002 Sokurenko ..... D8/306  
D484,774 S \* 1/2004 Jones ..... D8/331  
D508,196 S \* 8/2005 Pieters ..... D8/308  
D566,520 S \* 4/2008 Samhammer ..... D8/331  
7,475,578 B2 \* 1/2009 Brown ..... E05B 63/0034  
292/336.3  
D649,014 S \* 11/2011 Stuckey ..... D8/343

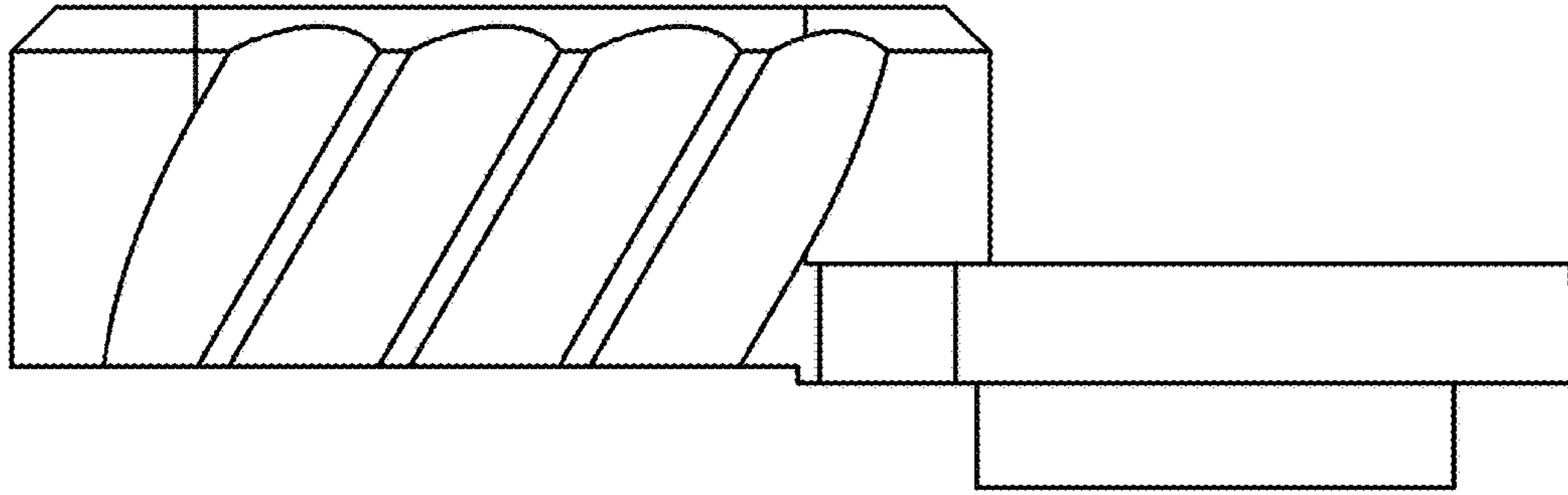
\* cited by examiner



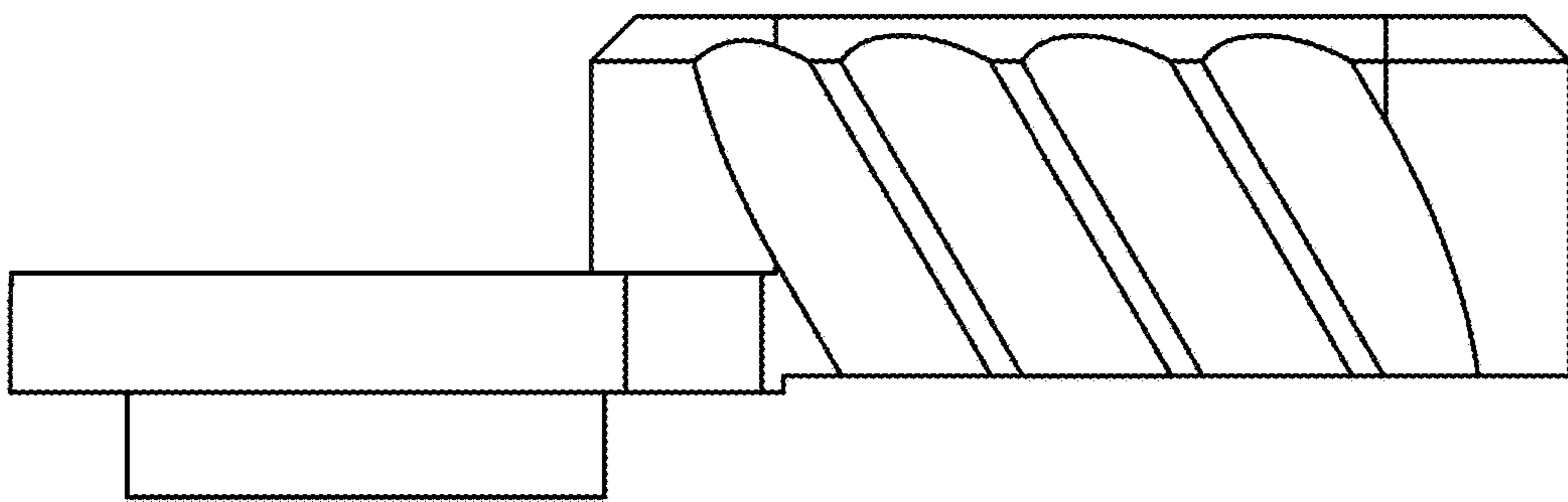
**FIG. 1**



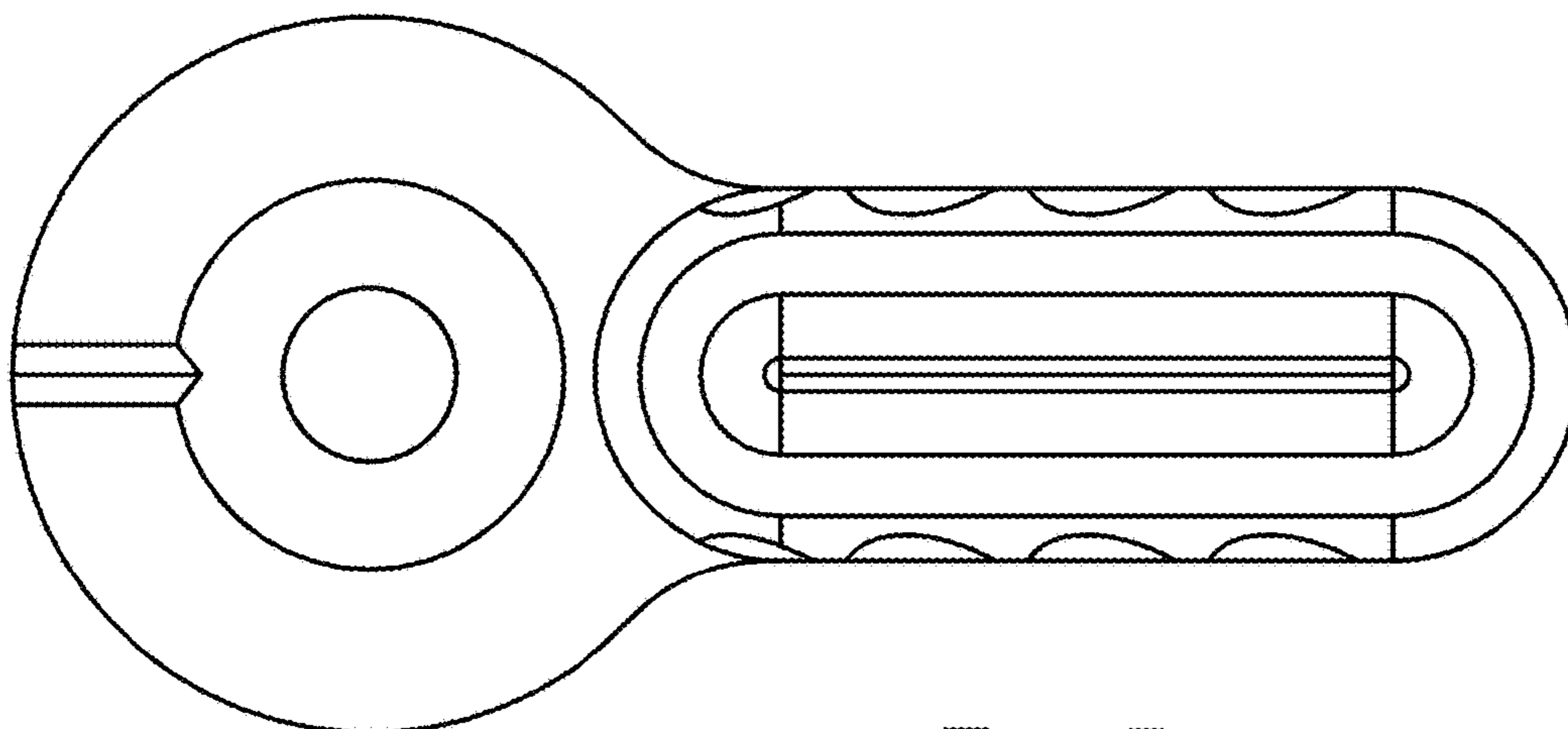
**FIG. 2**



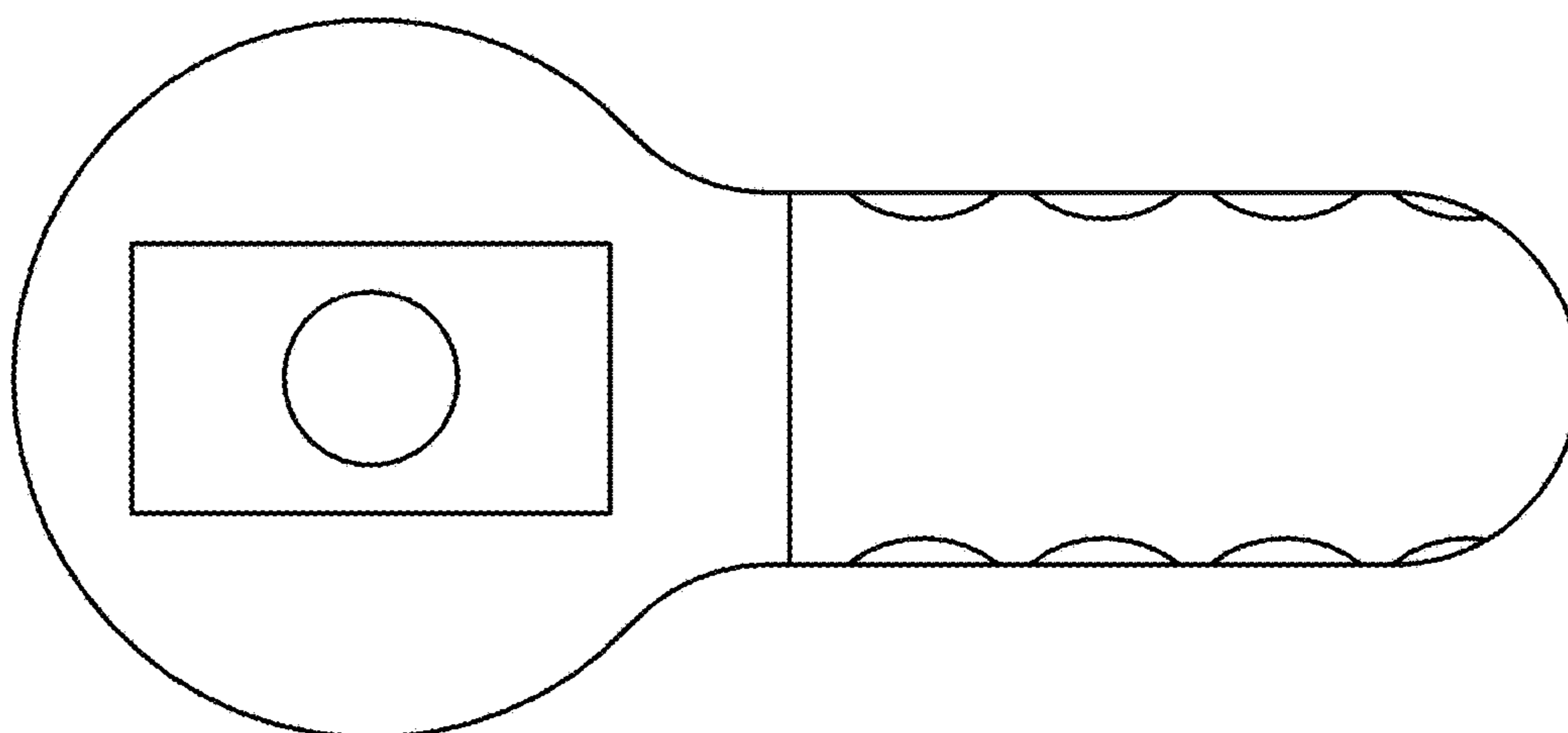
**FIG. 3**



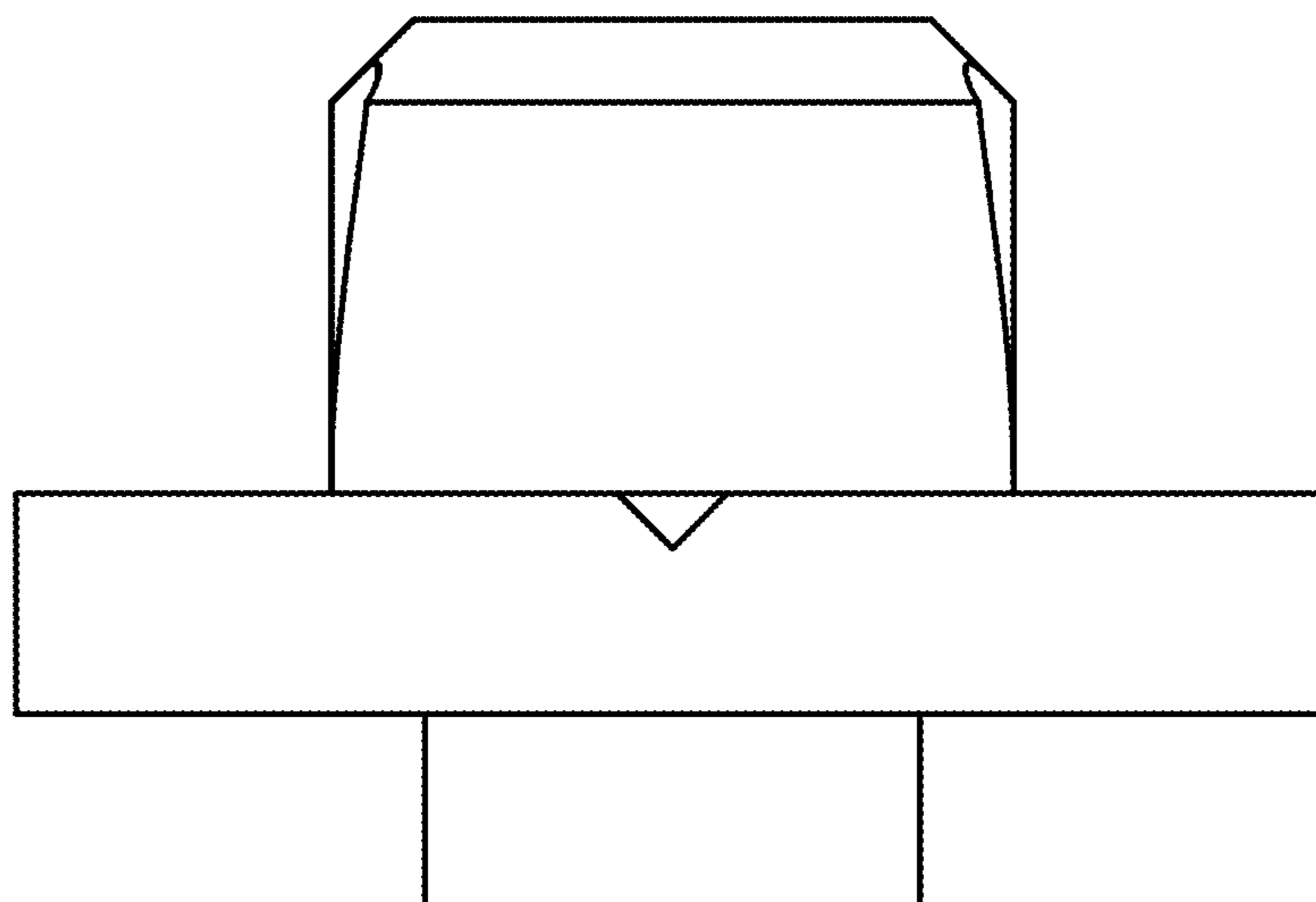
**FIG. 4**



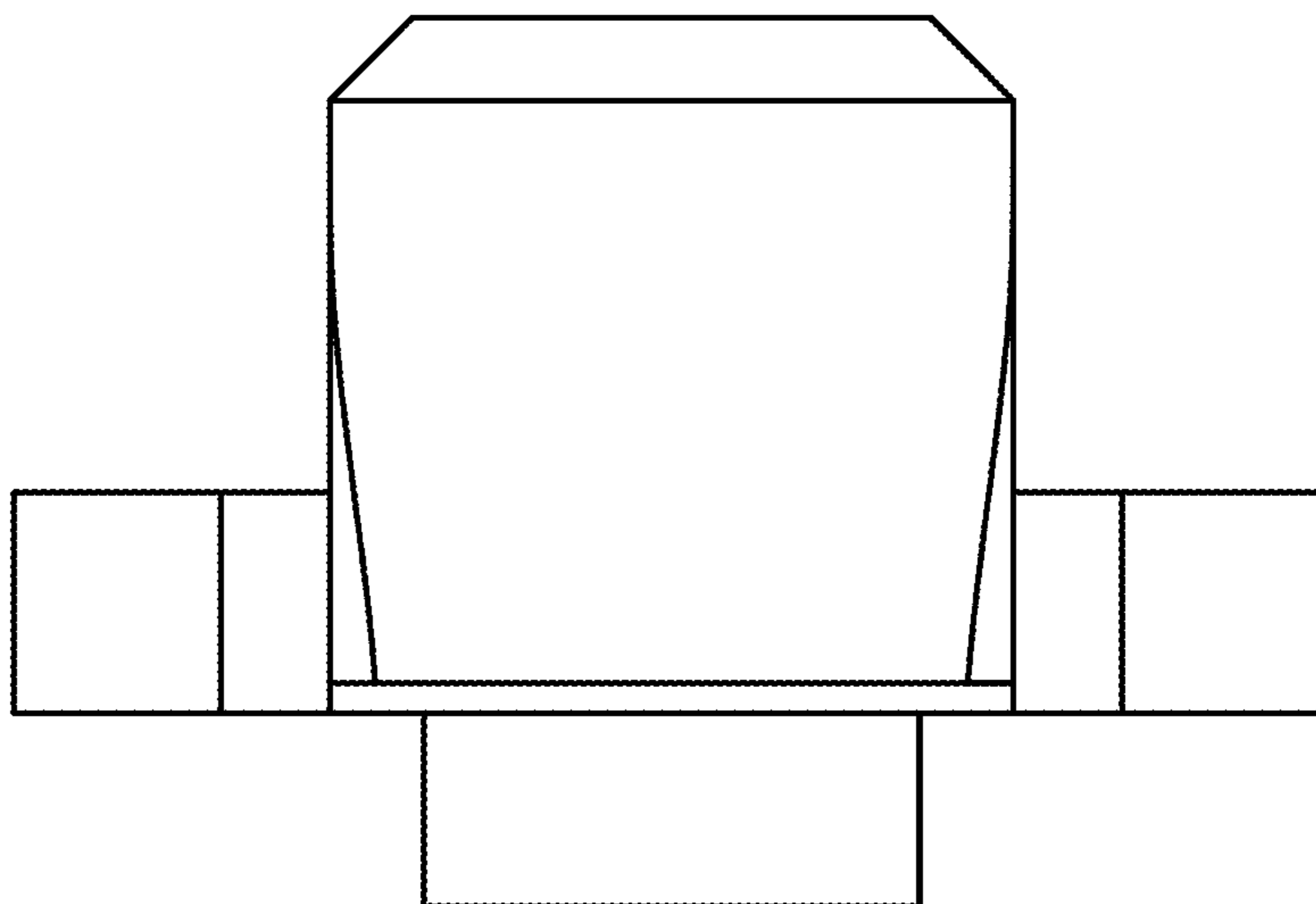
**FIG. 5**



**FIG. 6**

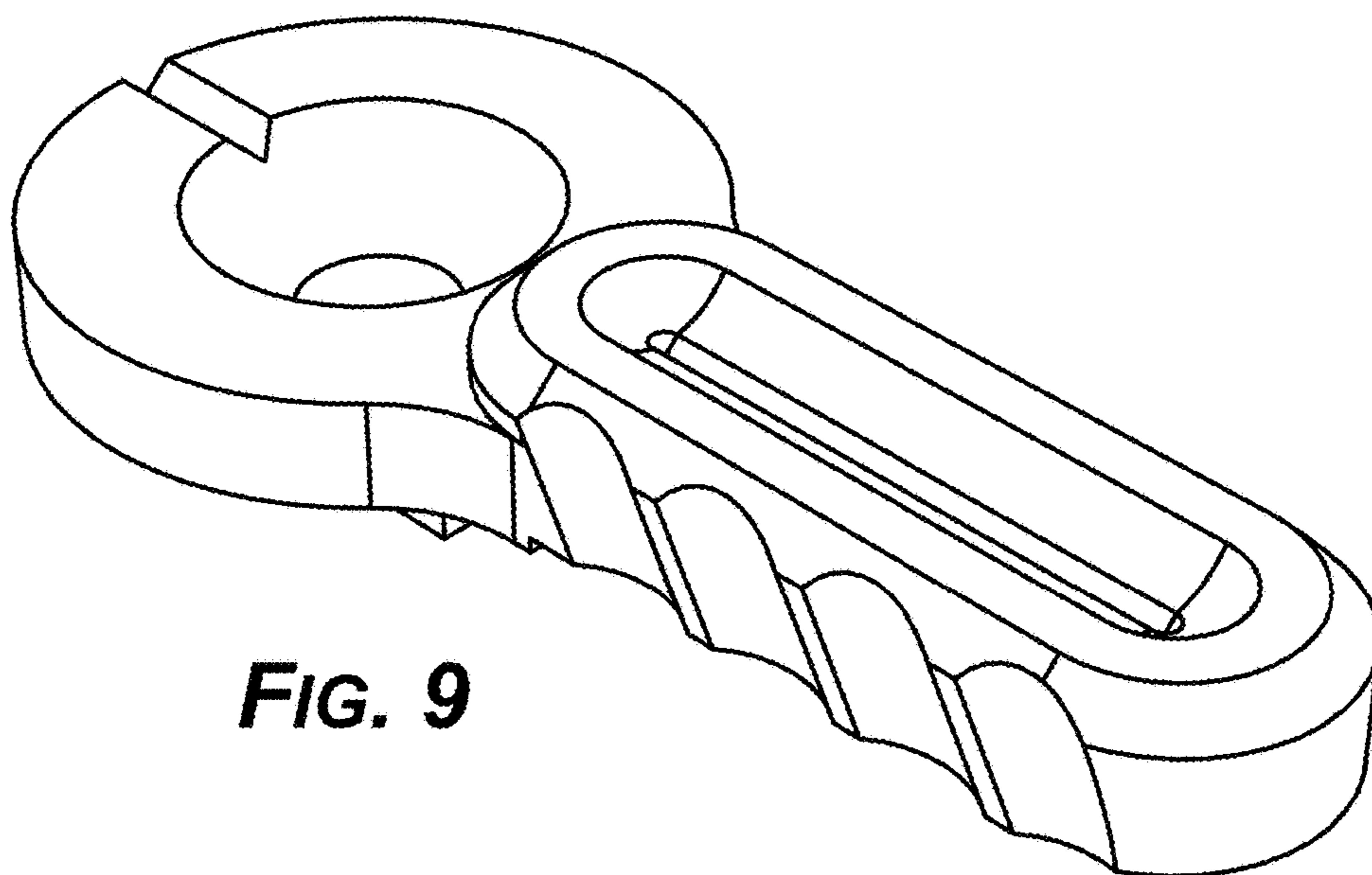


**FIG. 7**

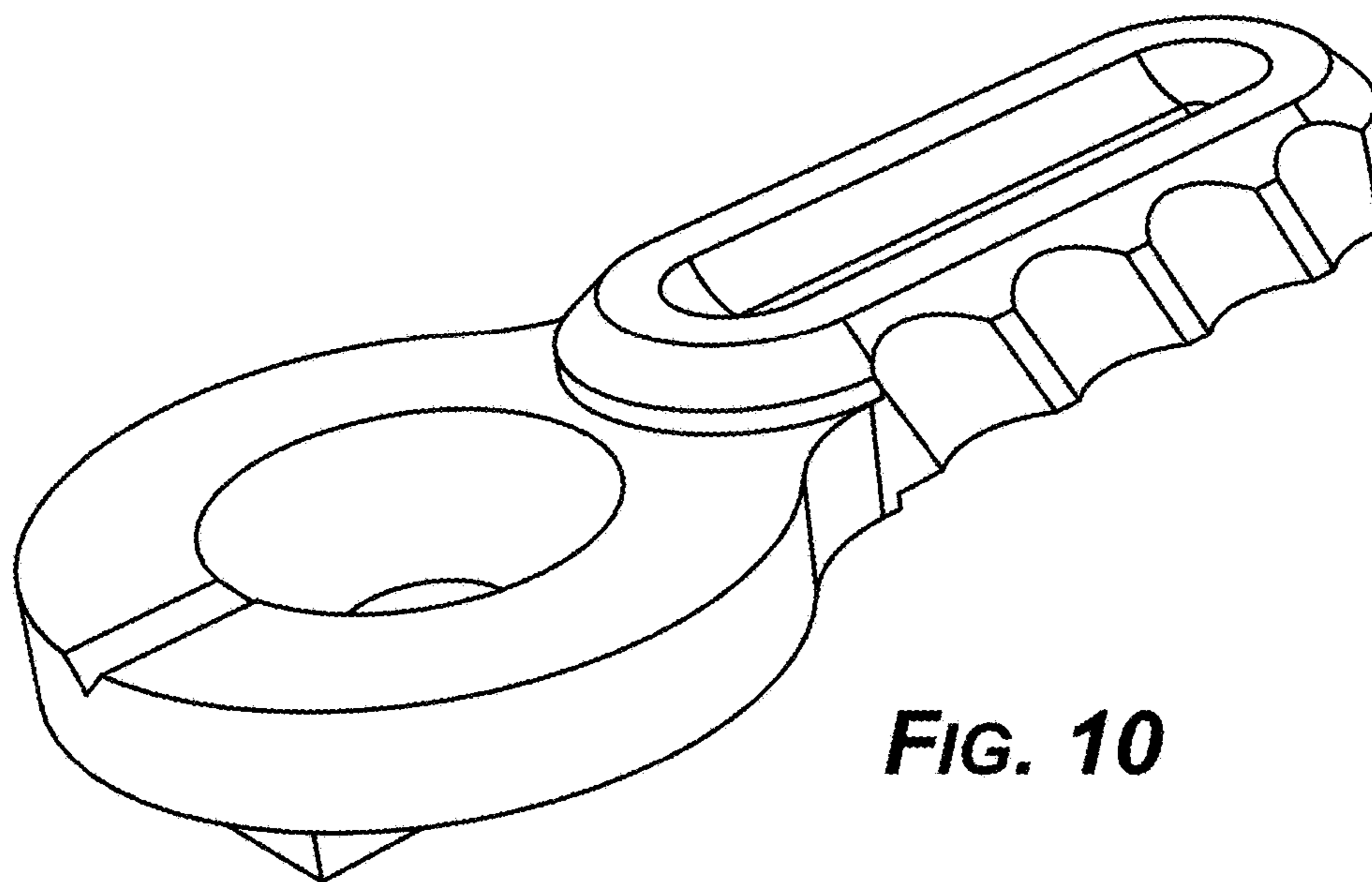


**FIG. 8**

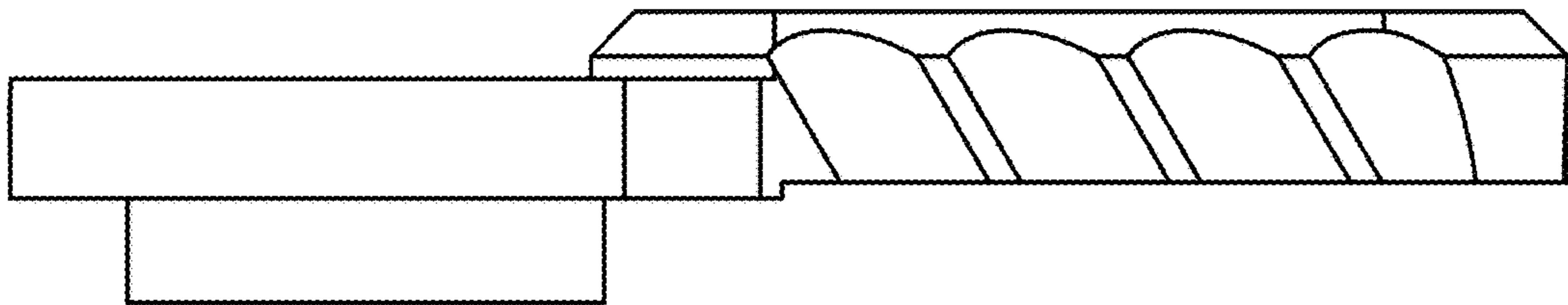




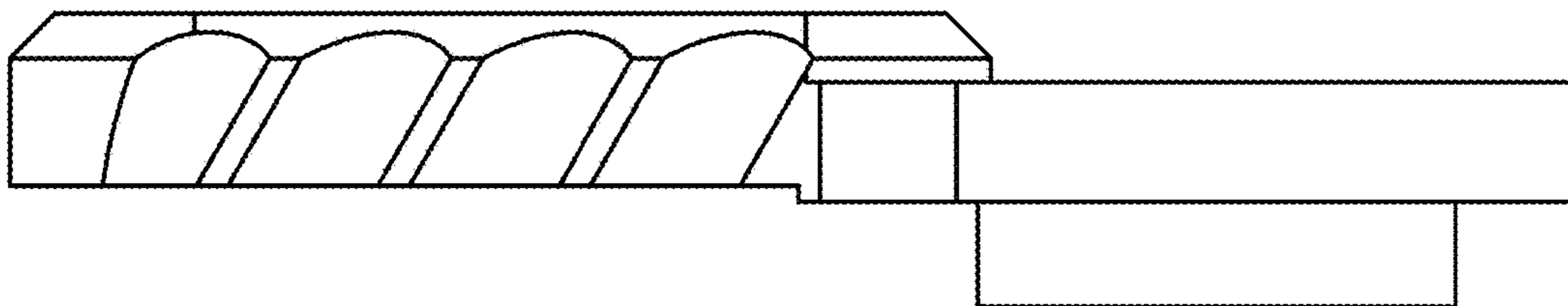
**FIG. 9**



**FIG. 10**

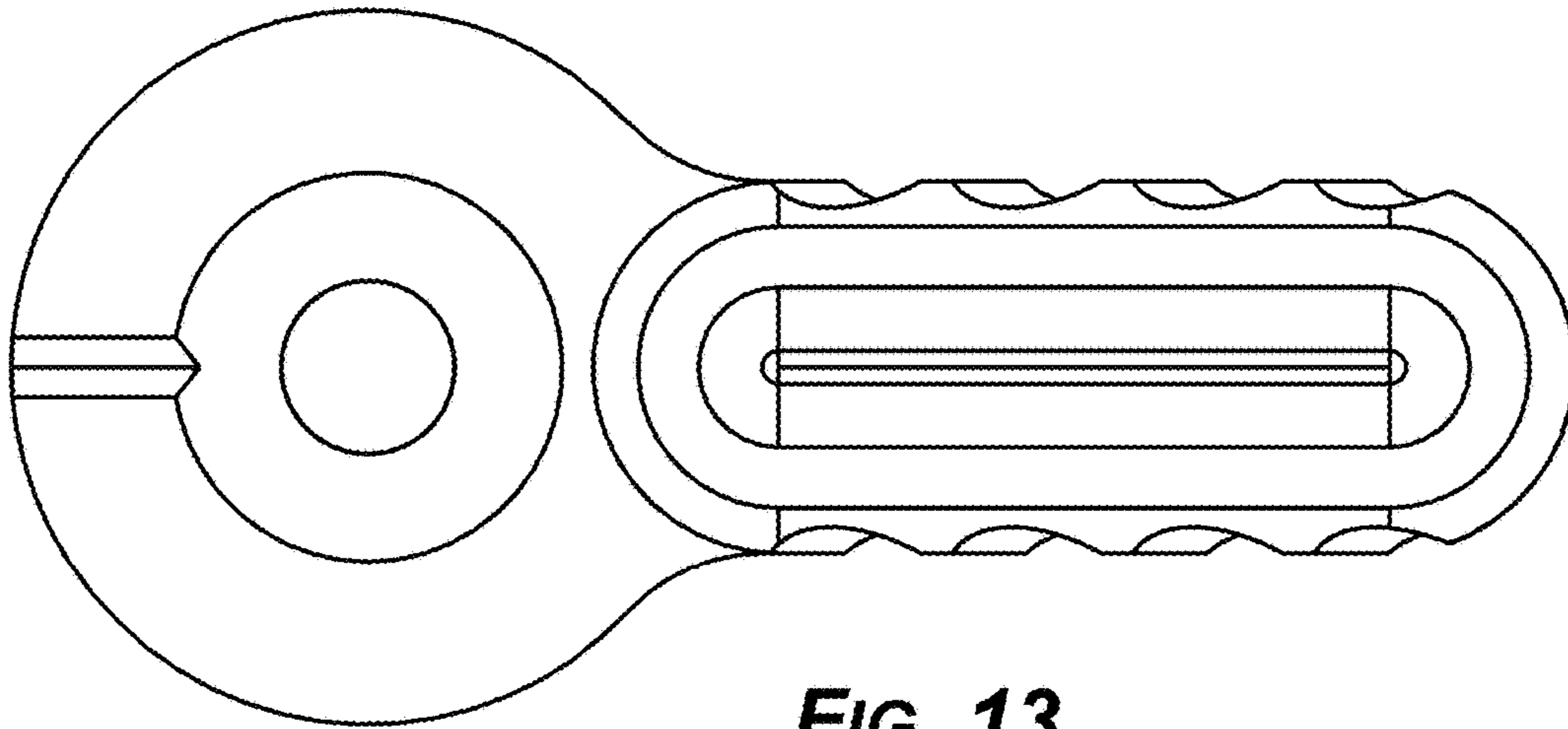


**FIG. 11**

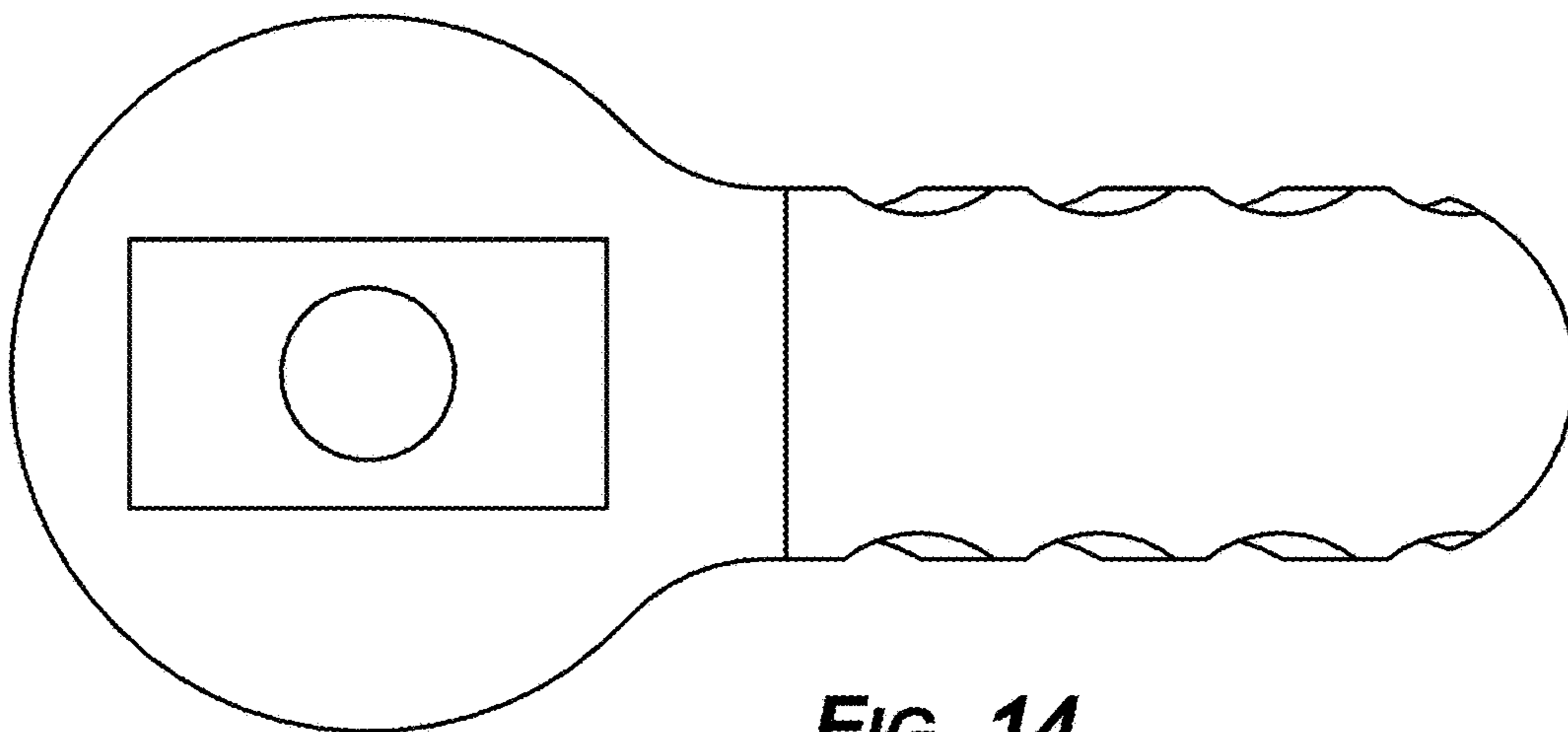


**FIG. 12**

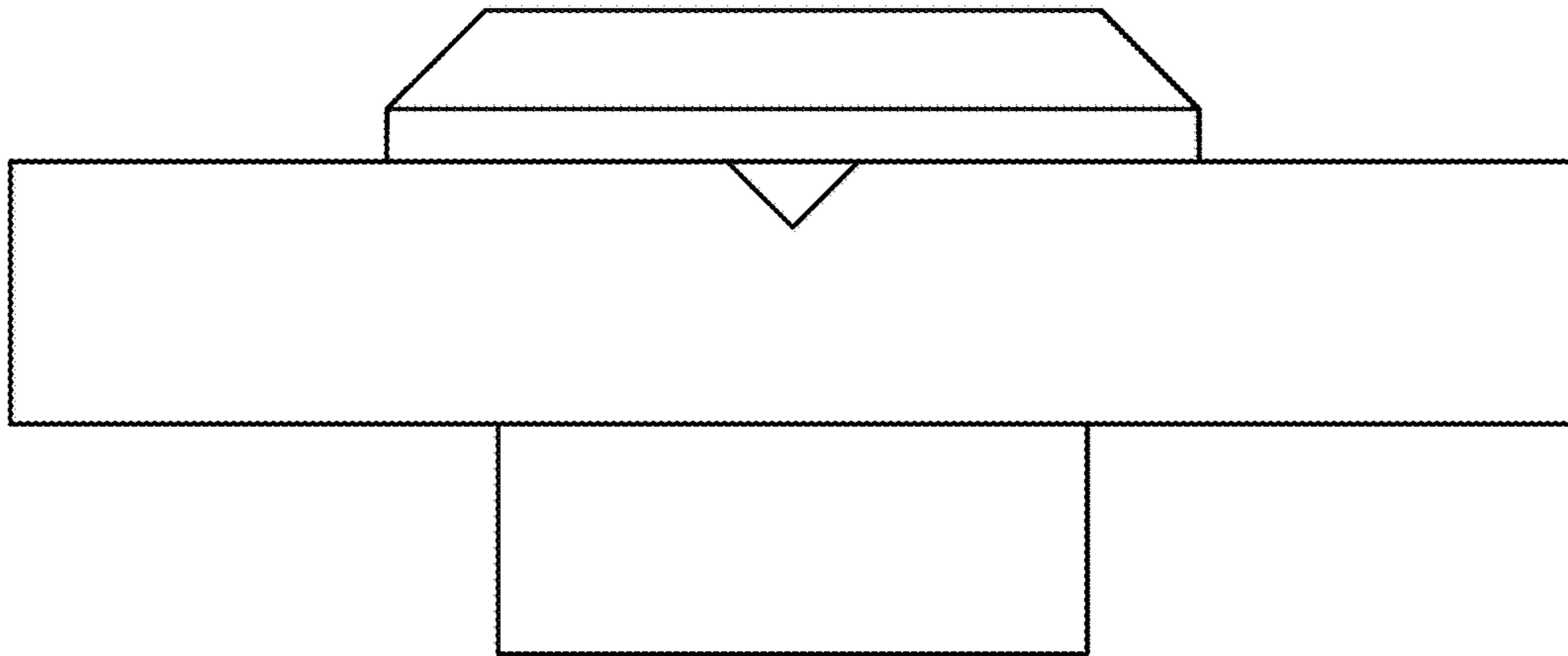




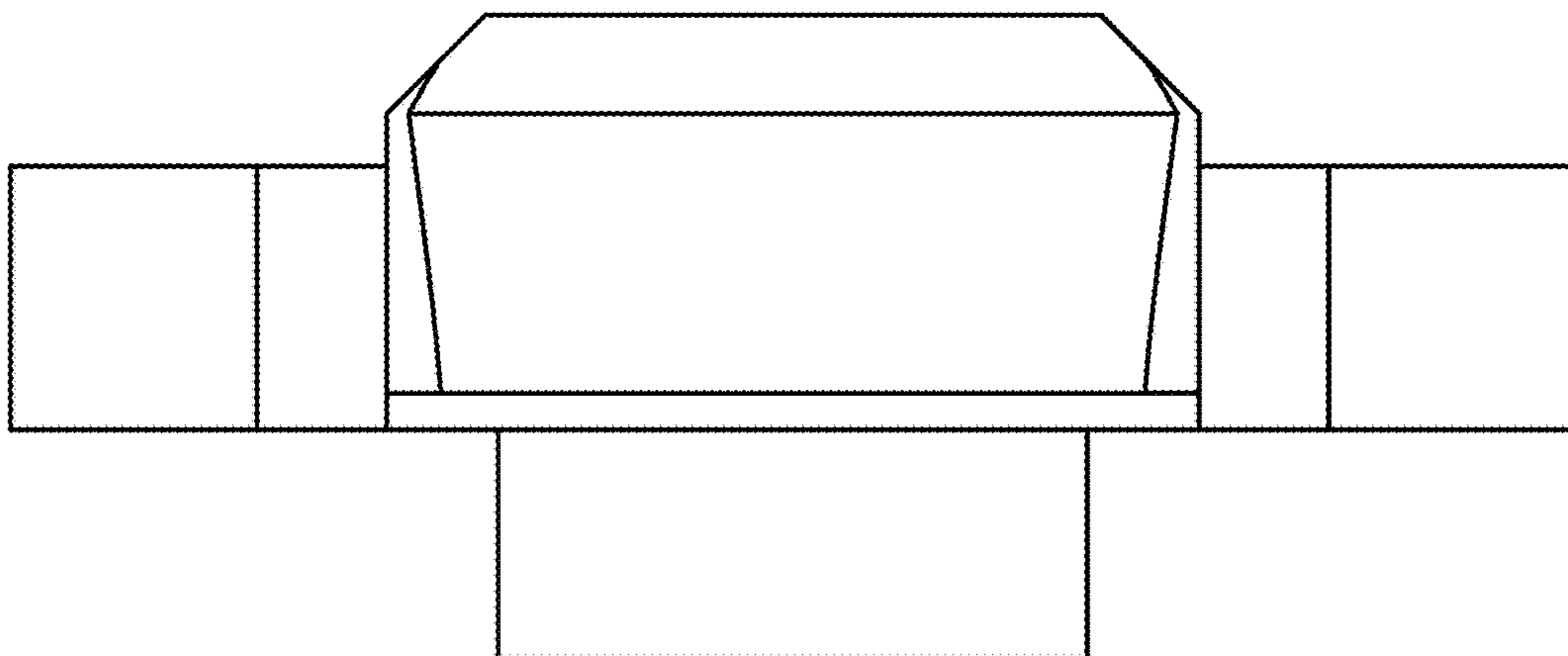
**FIG. 13**



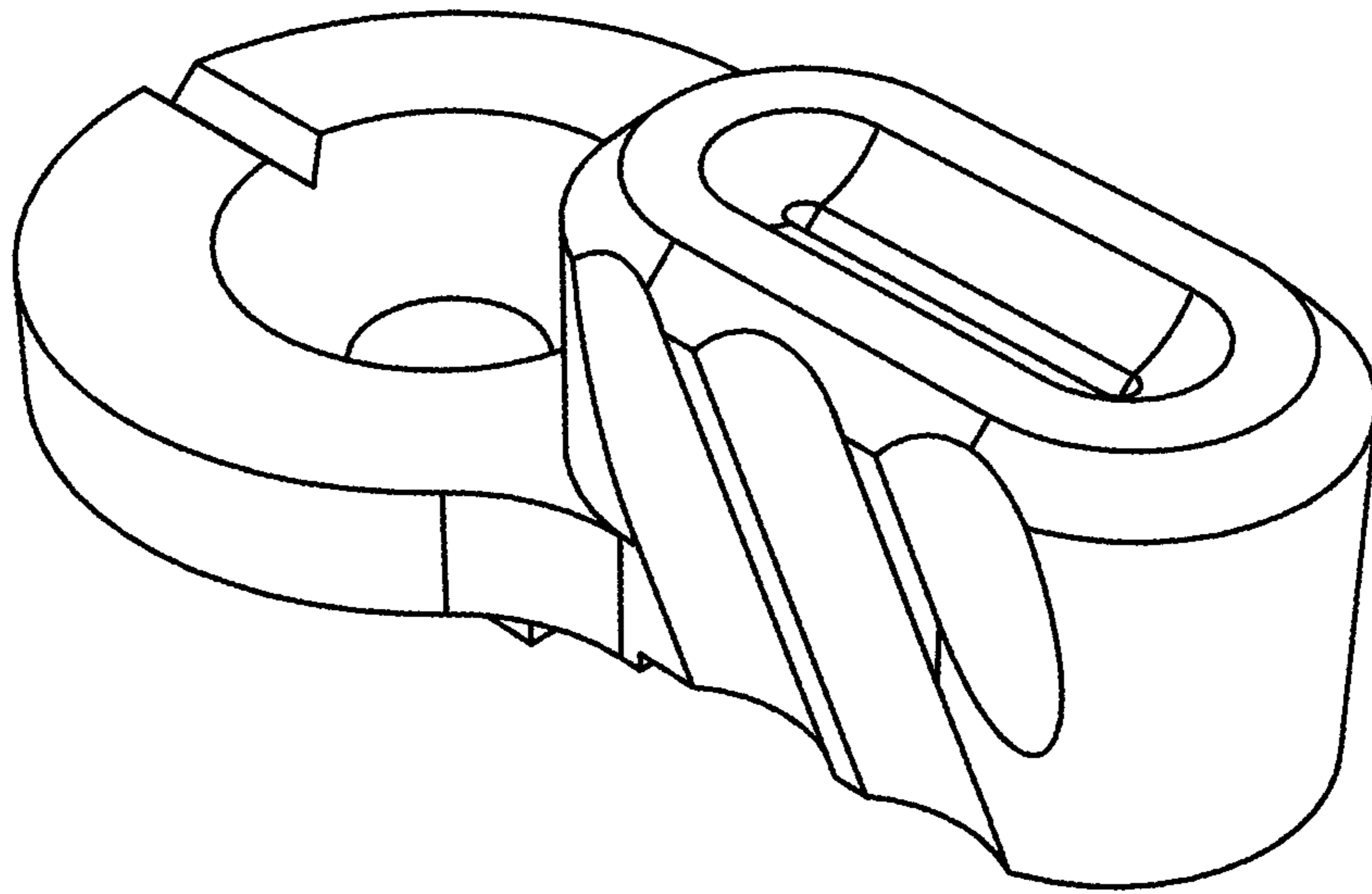
**FIG. 14**



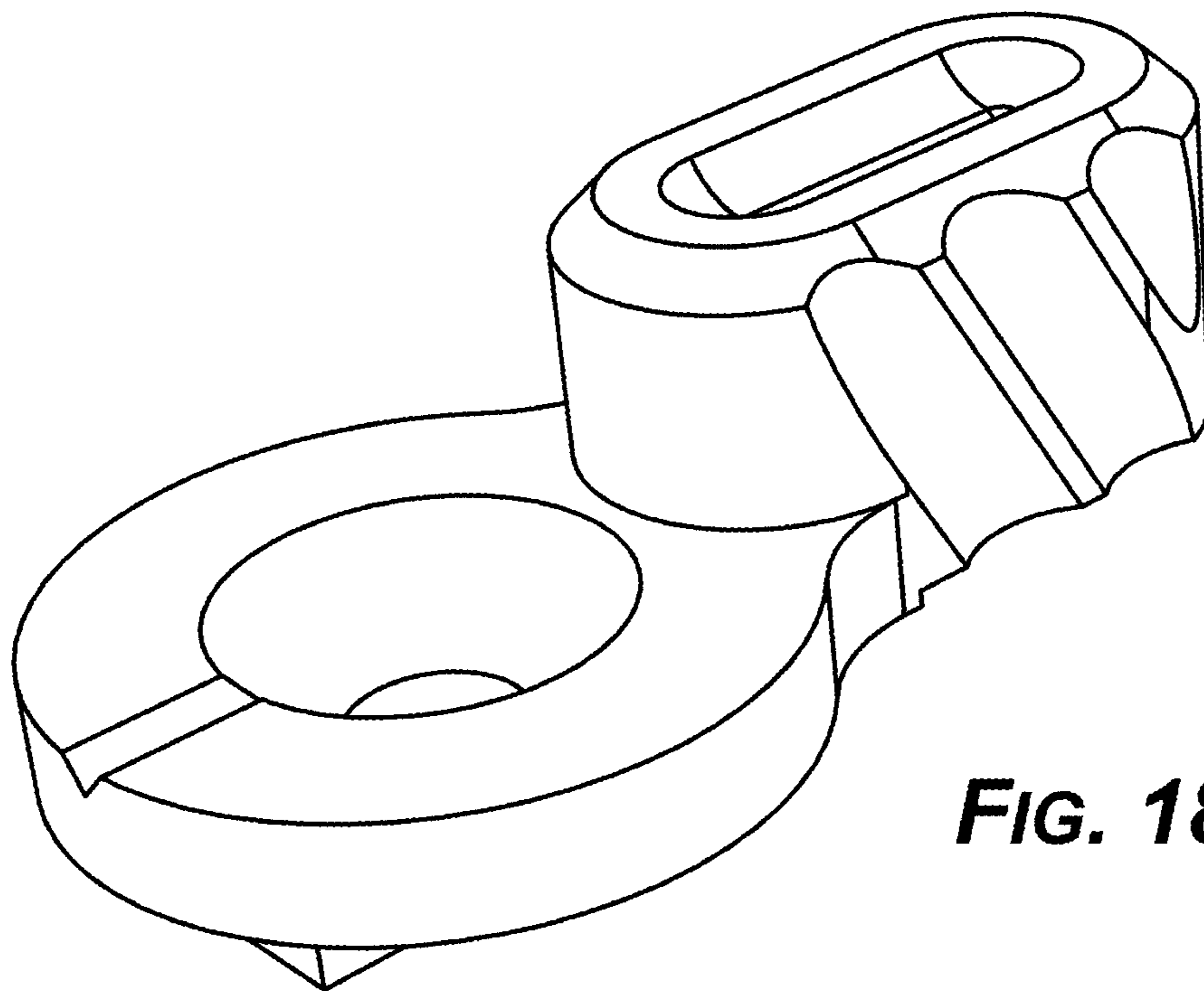
**FIG. 15**



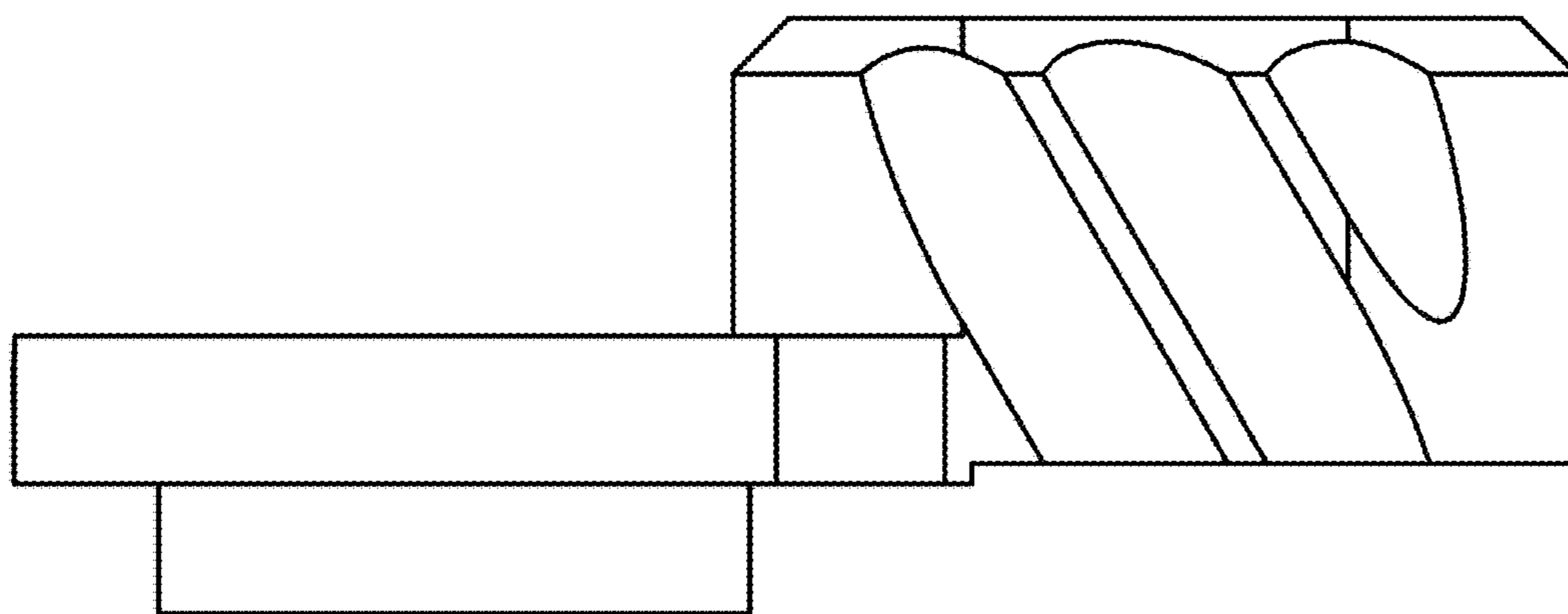
**FIG. 16**



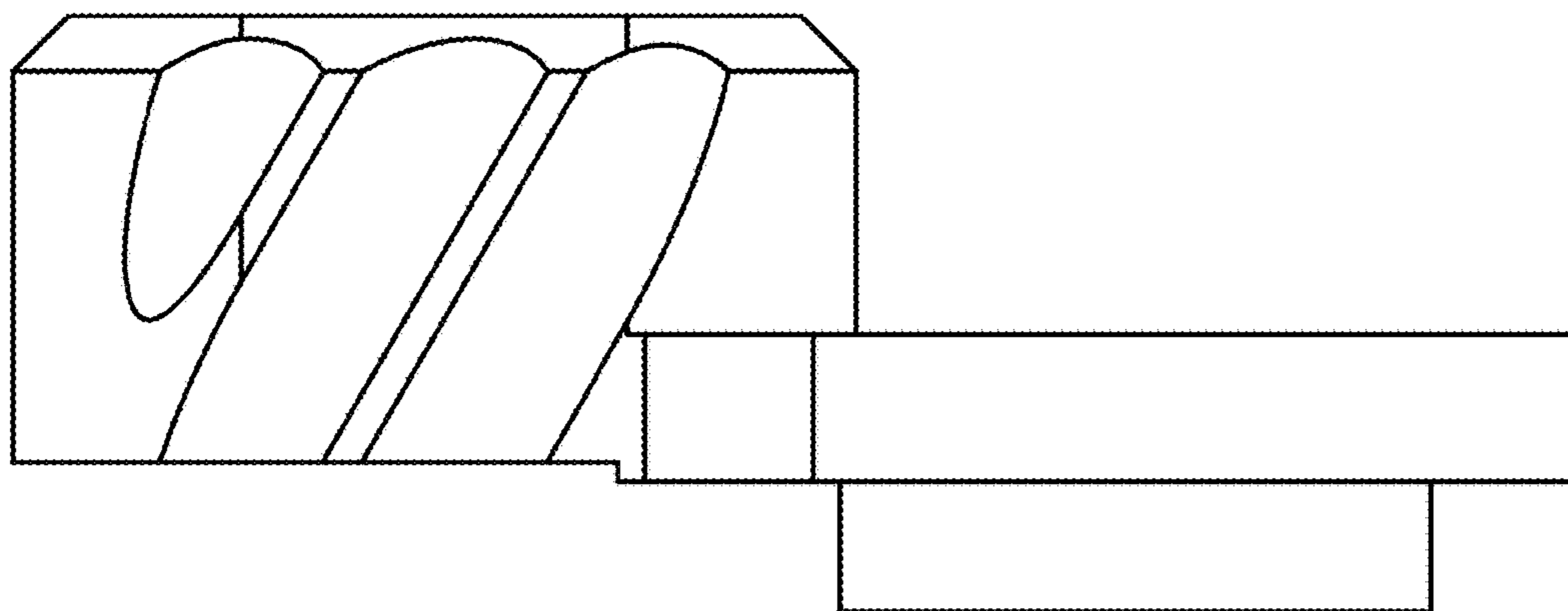
**FIG. 17**



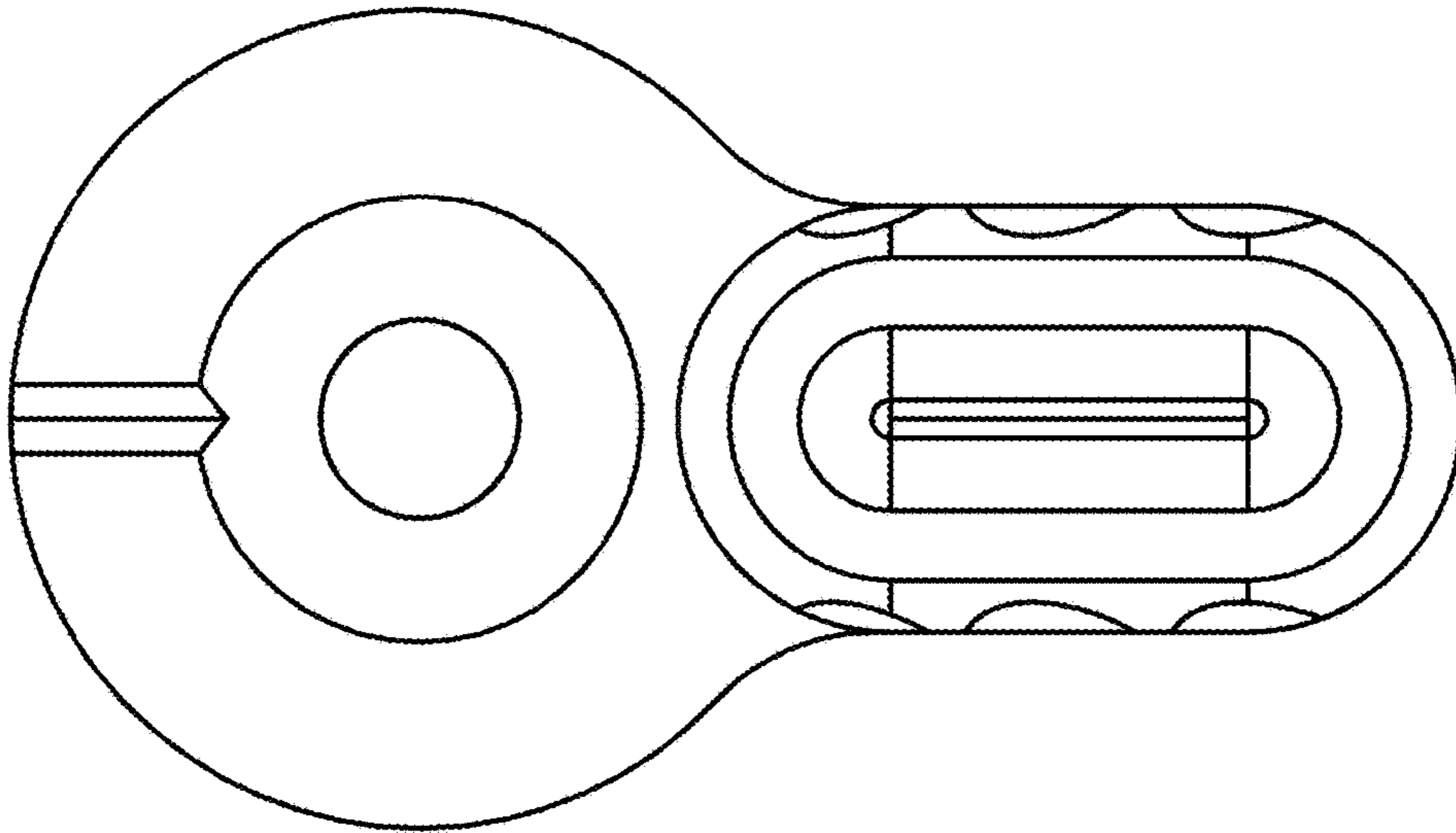
**FIG. 18**



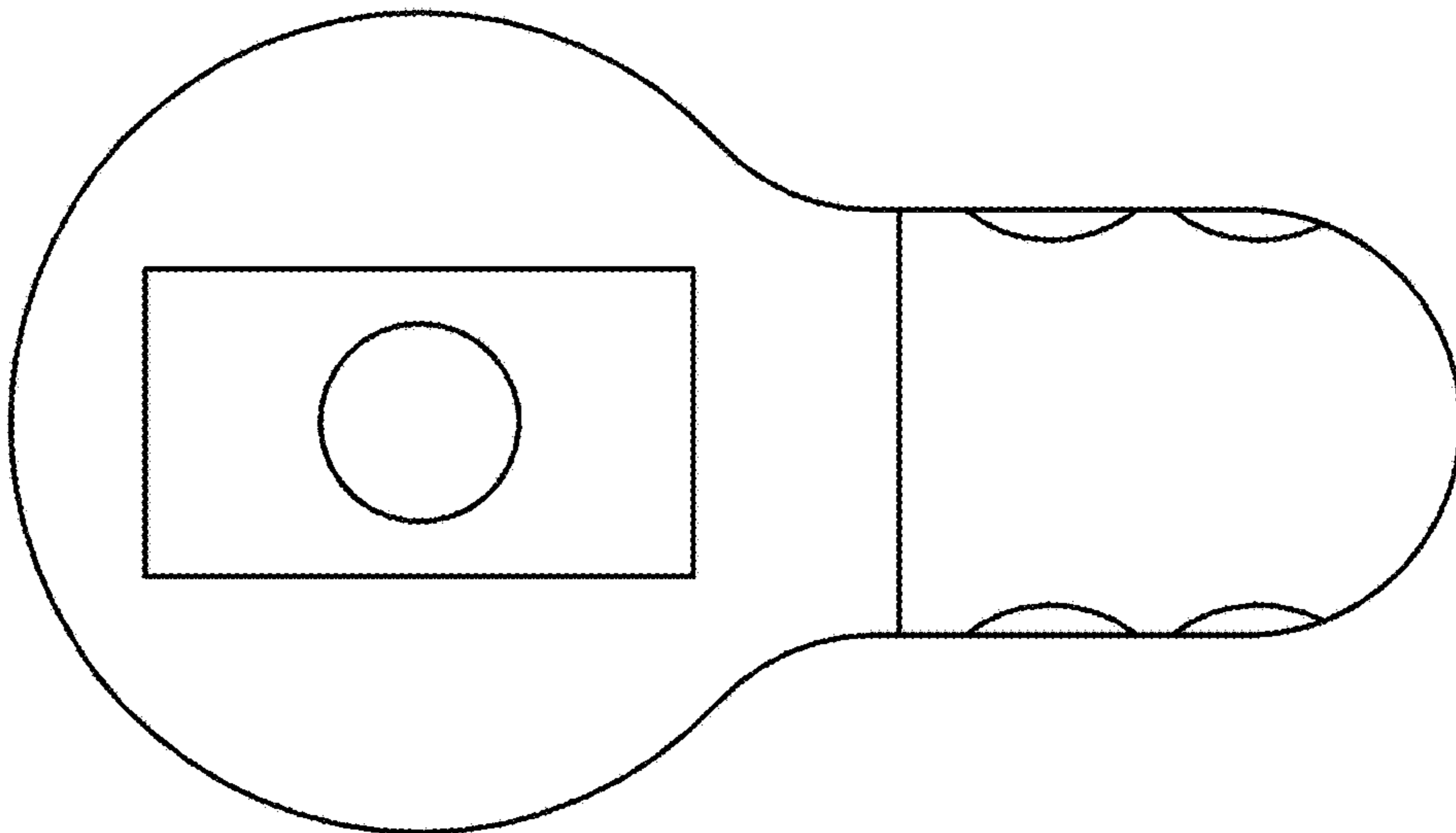
**FIG. 19**



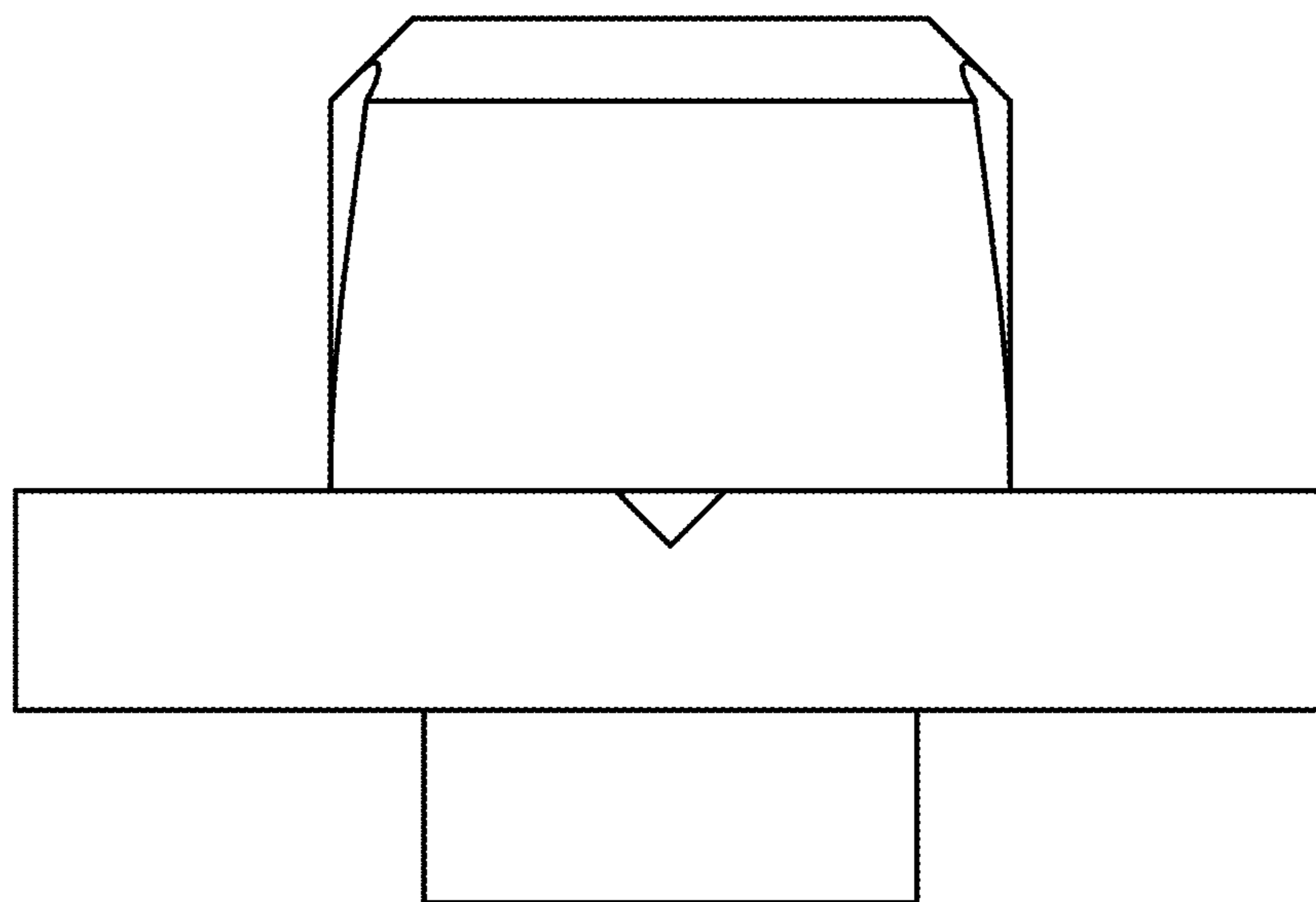
**FIG. 20**



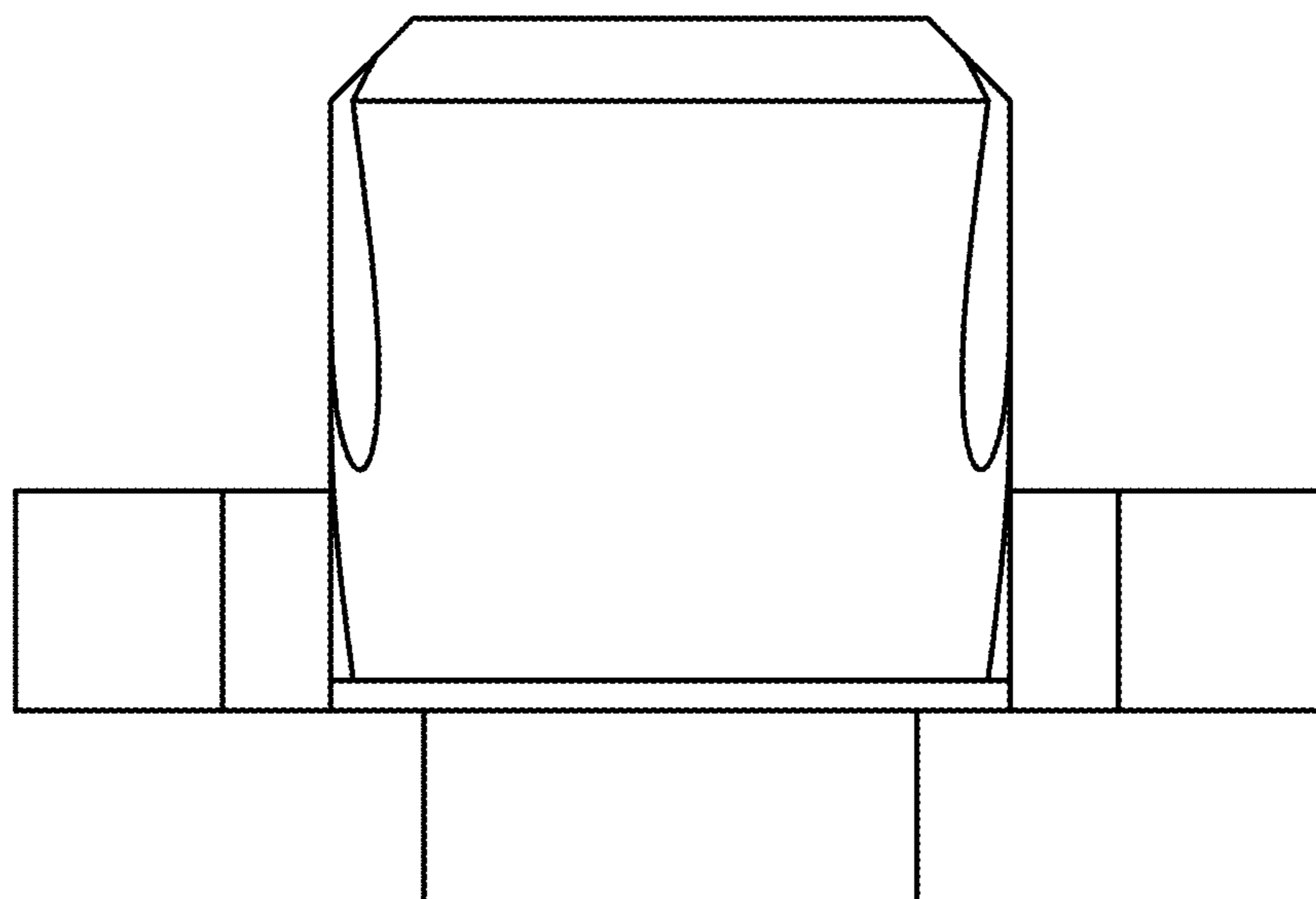
**FIG. 21**



**FIG. 22**

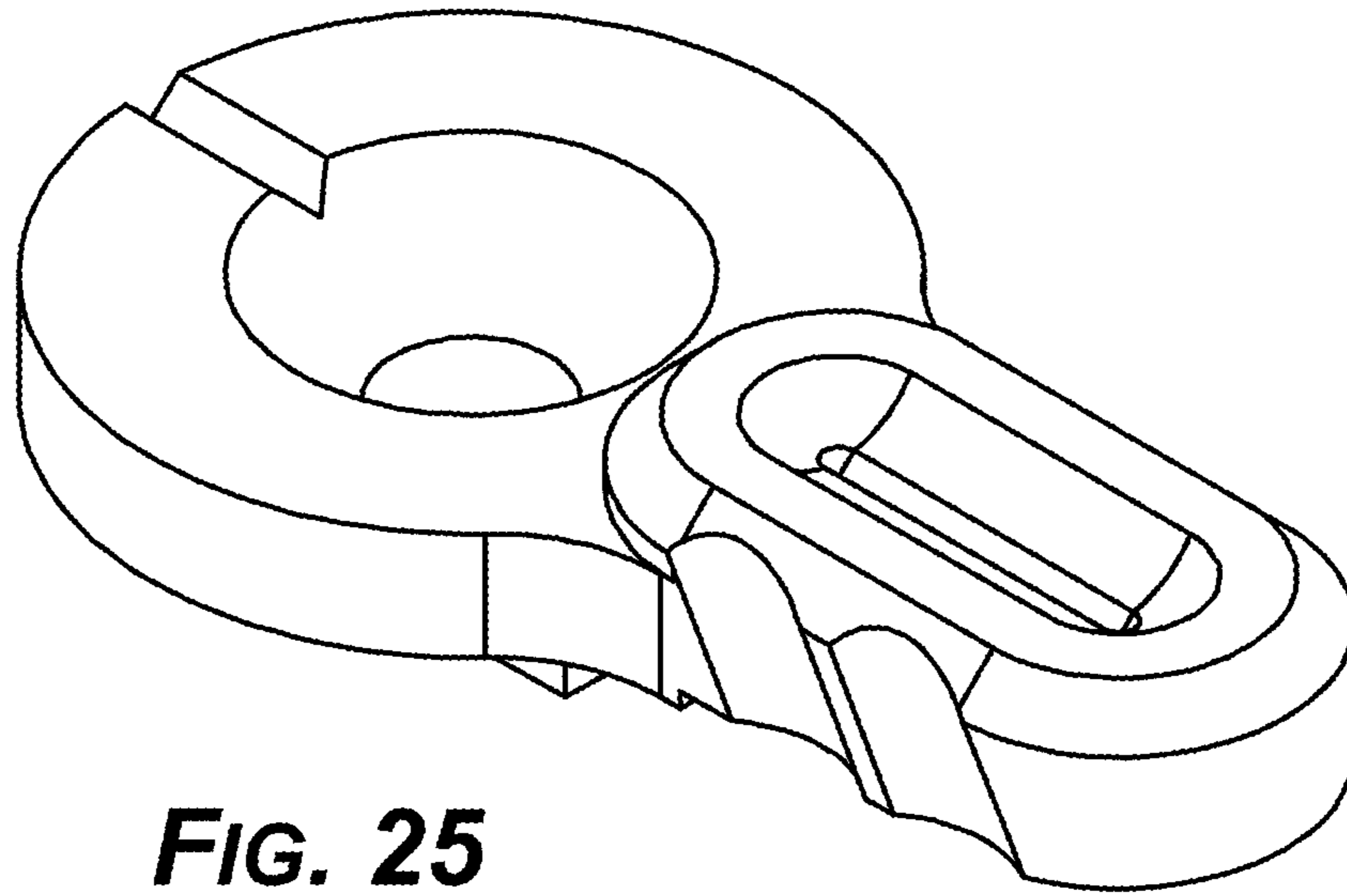


**FIG. 23**

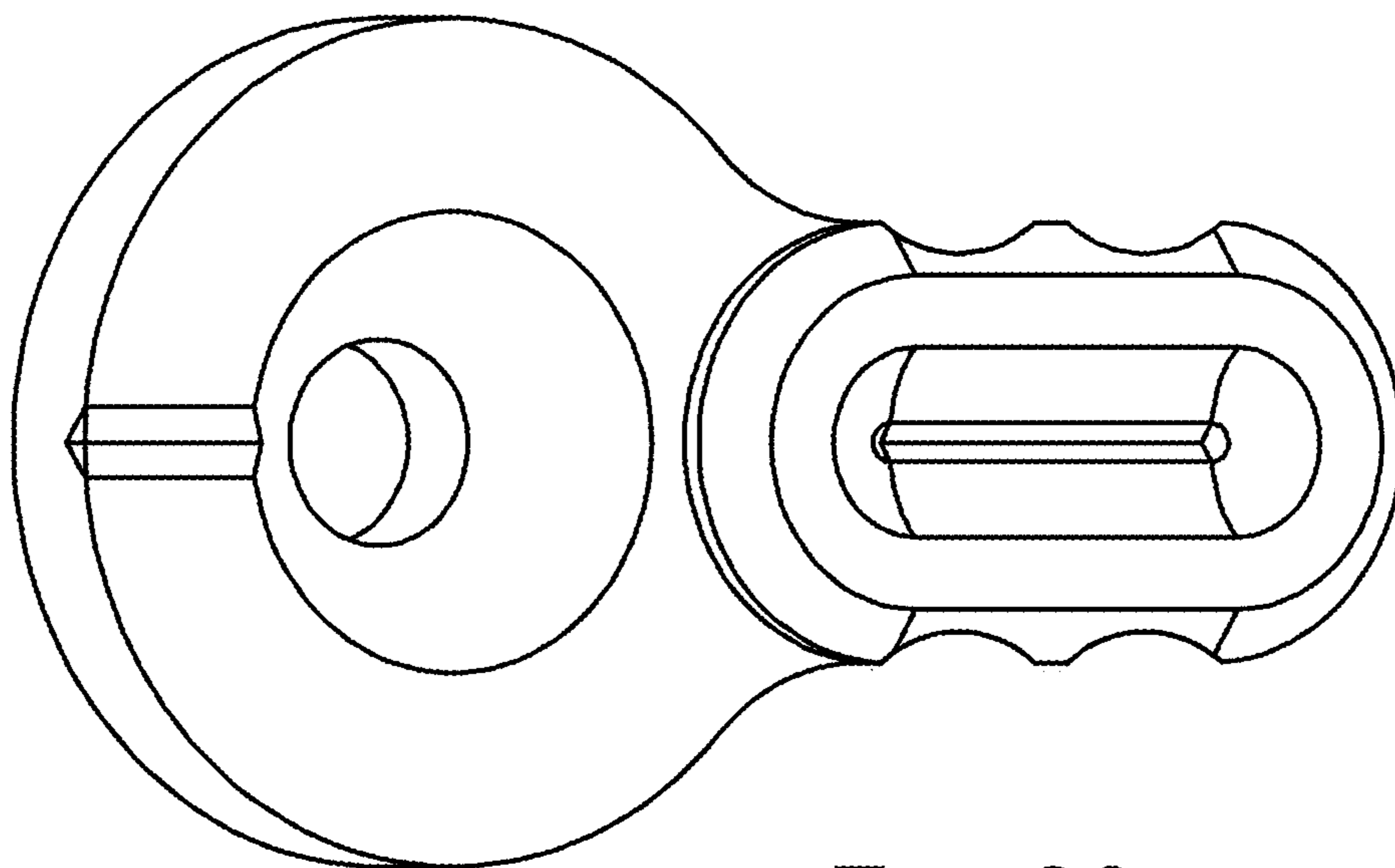


**FIG. 24**

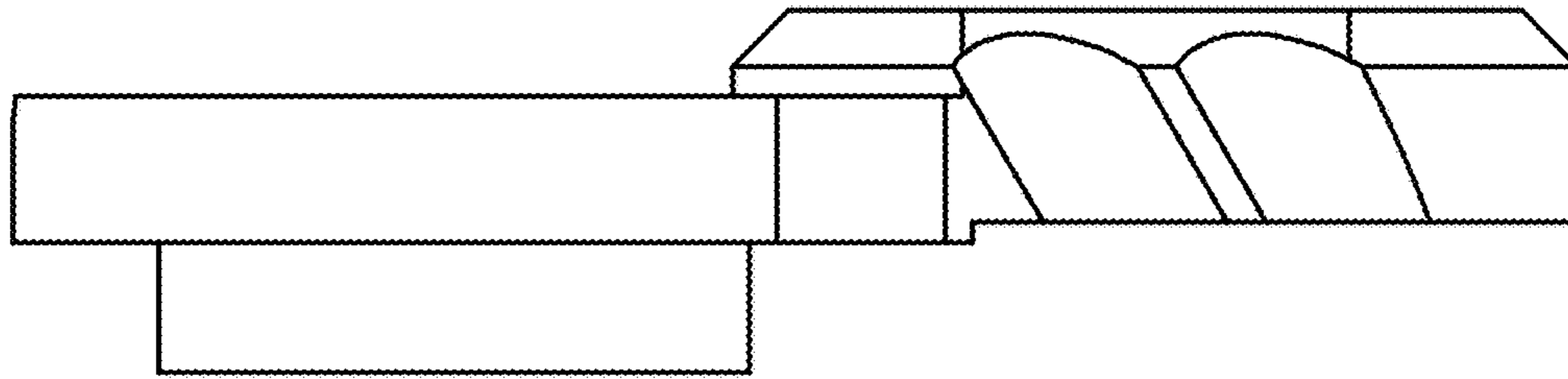




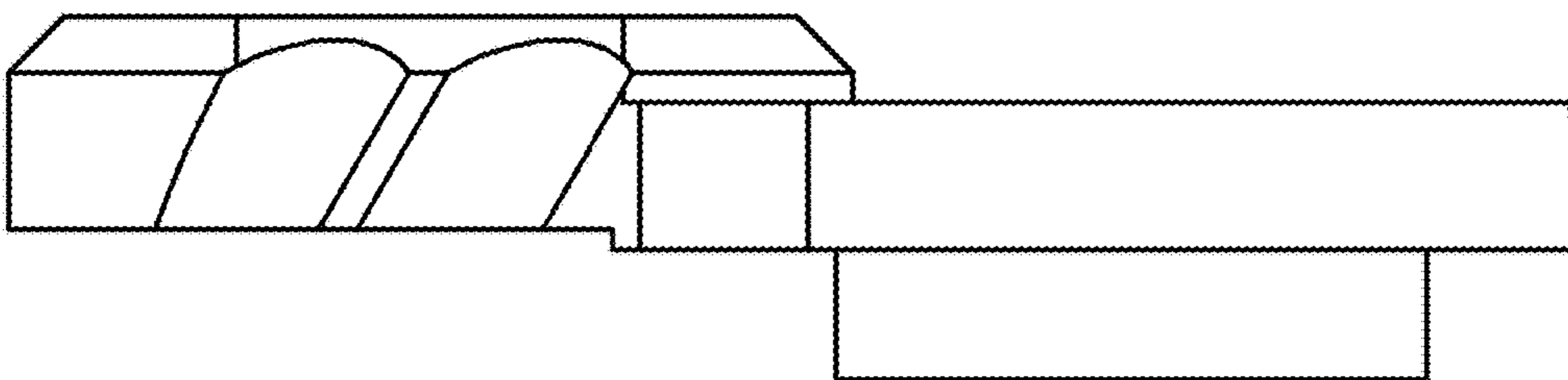
**FIG. 25**



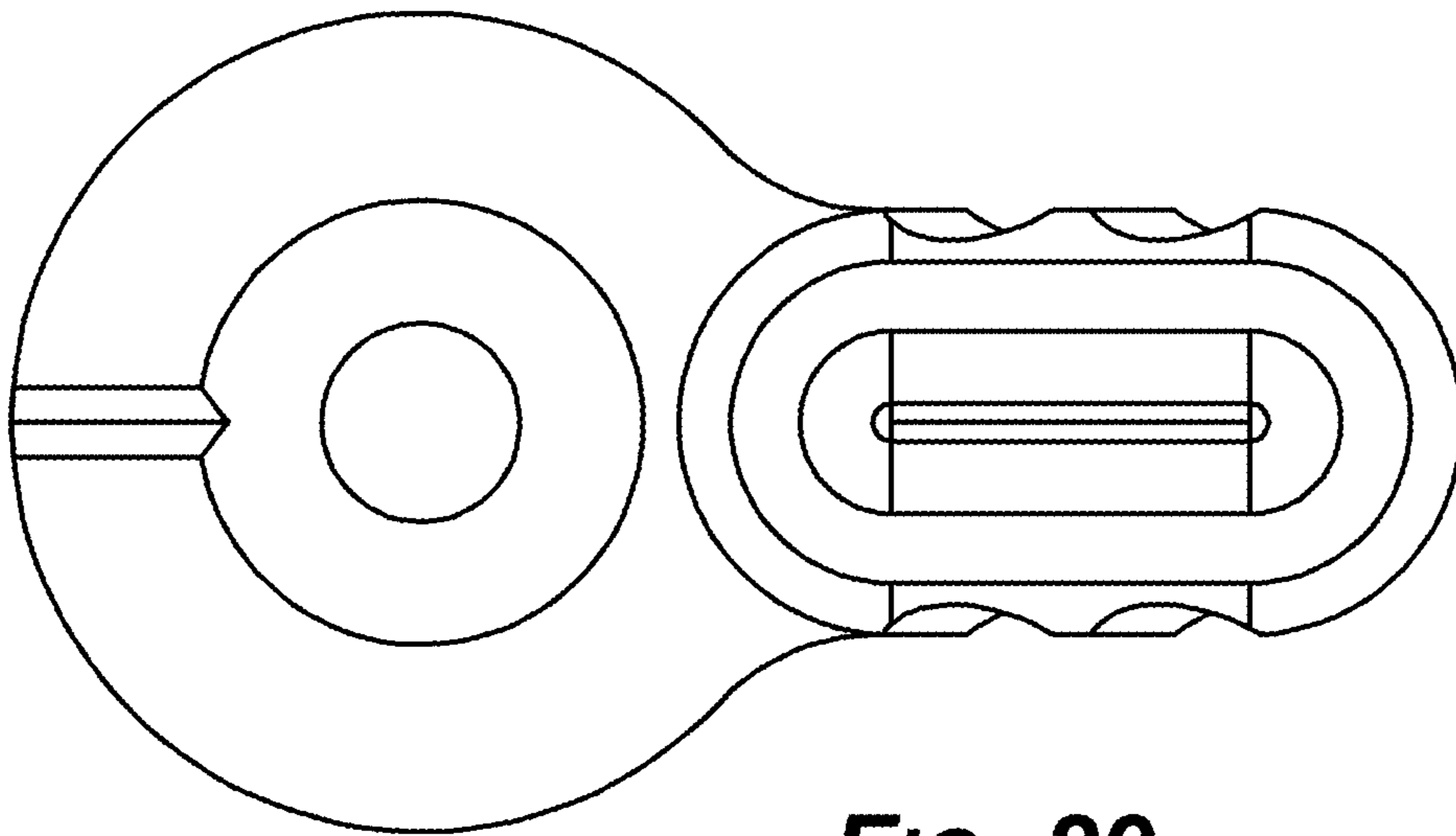
**FIG. 26**



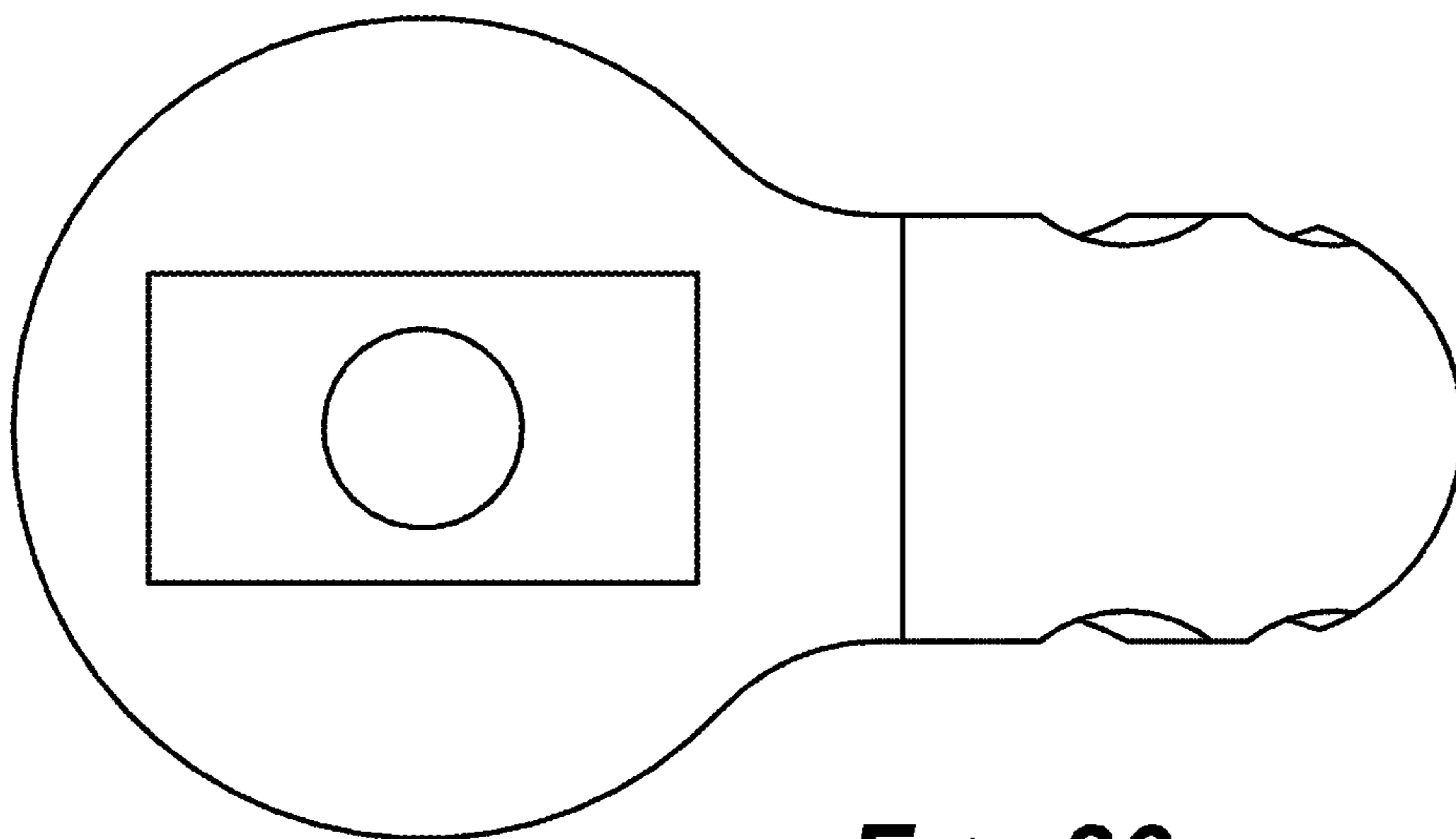
**FIG. 27**



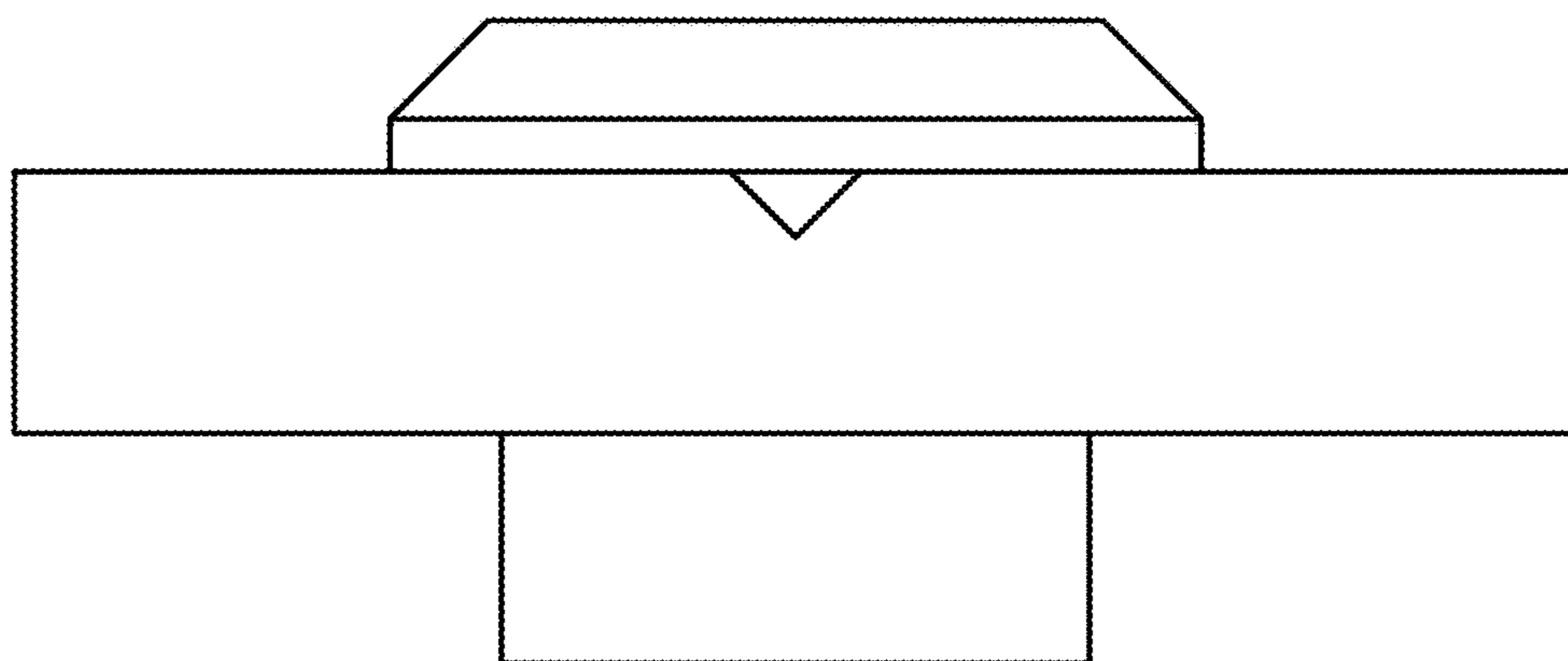
**FIG. 28**



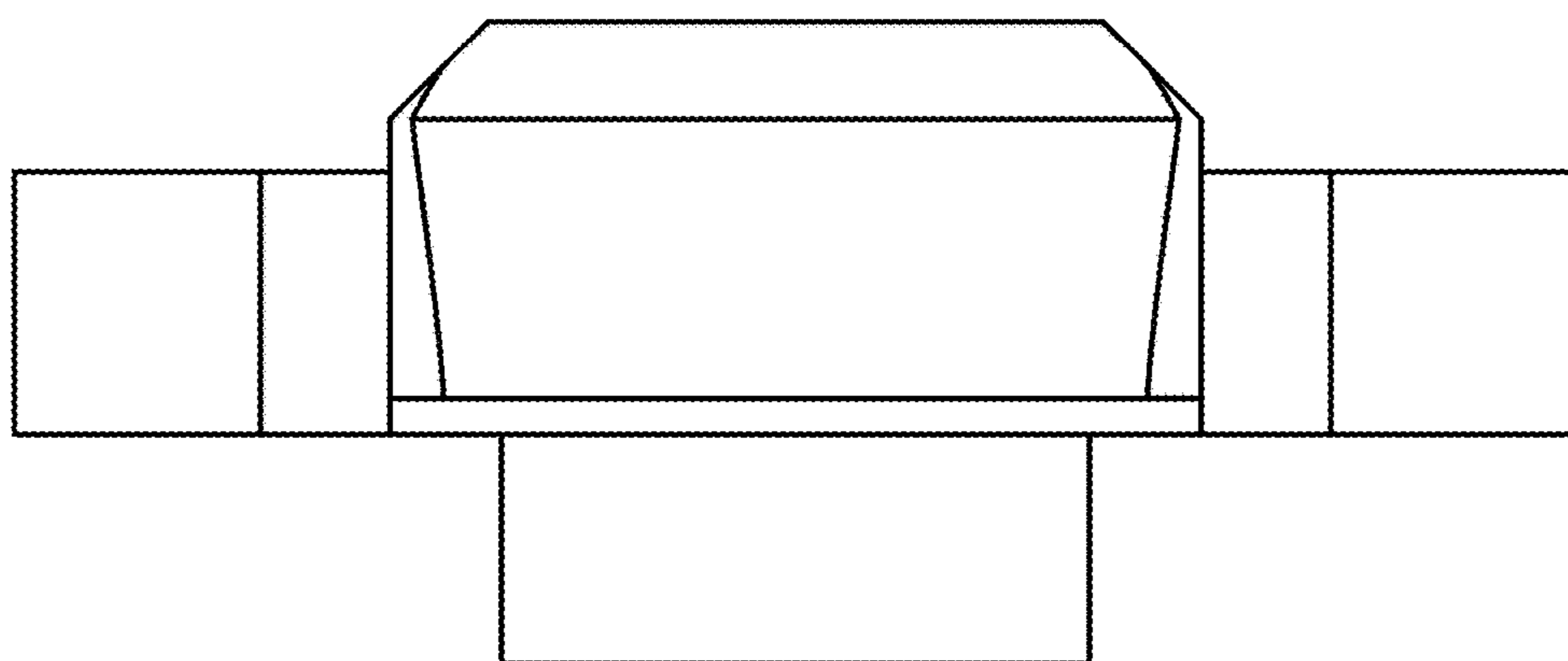
**FIG. 29**



**FIG. 30**



**FIG. 31**



**FIG. 32**